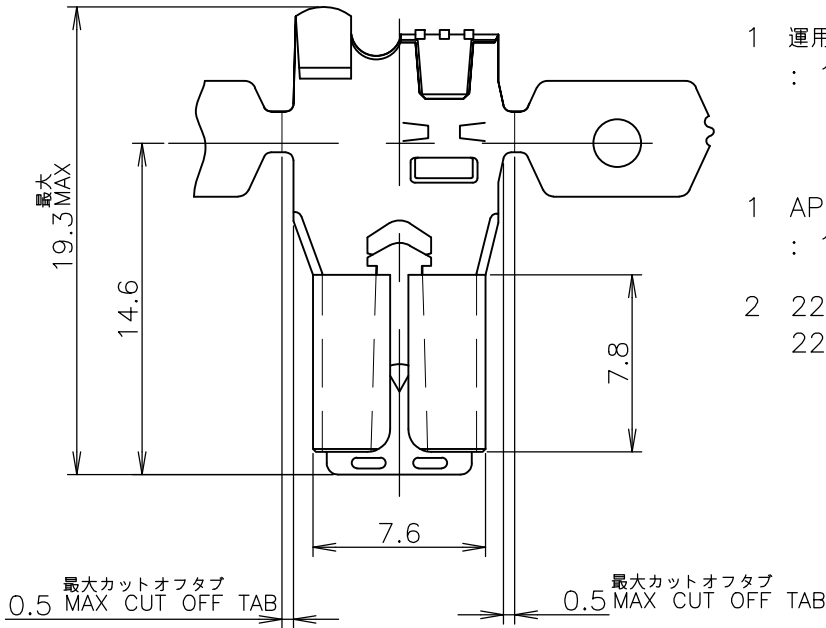


REVISIONS

変更

P	LTR	DESCRIPTION	DATE	DWN	APVD
	C2	ECR-18-014558	25SEP2018	KYLE	TIM

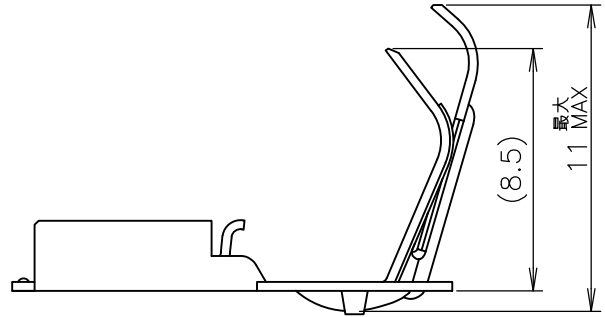
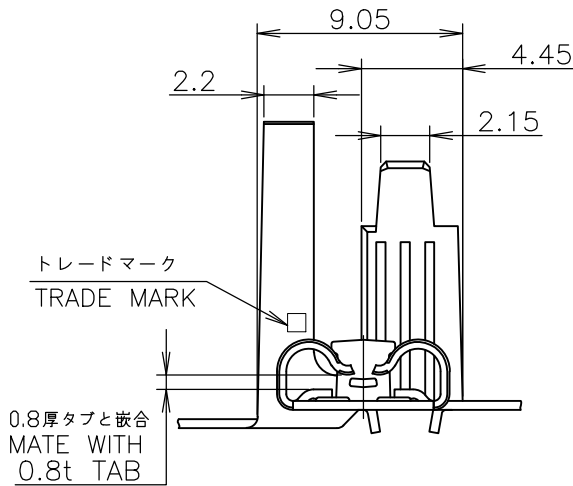
-1, -2; AS SHOWN



1 運用スリーブ型番
: 1717268-X, 176497-X, 2013799-X

1 APPLICABLE SLEEVE P/N
: 1717268-X, 176497-X, 2013799-X

2 2232343-1: CONE REEL PACKAGE
2232343-2: FLAT REEL PACKAGE



	PRE TIN BRASS 0.4t 錫めっき付 黄銅 0.4t	2232343-2
	PRE TIN BRASS 0.4t 錫めっき付 黄銅 0.4t	2232343-1
LOOSE PIECE NO. ばら状端子型番	MATERIAL 材料	P/N 型番

WIRE RANGE 抱合電線断面積	AWG #18-#12 0.75~3.37 mm ²	INSULATION DIA 被覆外径	2.8~4.1 mm ϕ
-----------------------	--	------------------------	-------------------

DIMENSIONS:
単位: 耗
mm

DWN	B.P	06MAR2013
CHK	F.M	06MAR2013
APVD	YH.M	06MAR2013

MATERIAL
材料 表参照 SEE TABLE

FINISH
仕上

TOLERANCES UNLESS
OTHERWISE SPECIFIED:
一般公差

0 PLC	±
1 PLC	± 10 ≥: ±0.2
2 PLC	± 30 ≥ > 10: ±0.25
3 PLC	± 100 ≥ > 30: ±0.3
4 PLC	±
ANGLES	± 3°

PRODUCT SPEC 製品規格	108-5254
APPLICATION SPEC 取付適用規格	114-5122
WEIGHT	0.000000

NAME
名称 250 SERIES FLAG POSITIVE LOCK EX
250 シリーズ 旗型ポジティブロックEX

SIZE	A4	CAGE CODE	00779	DRAWING NO 番号	2232343	RESTRICTED TO	
------	----	-----------	-------	------------------	---------	---------------	--

CUSTOMER DRAWING

SCALE 尺度 NTS SHEET 1 OF 1 REV C2

RELEASED FOR PUBLICATION NOV , 2013.

ALL RIGHTS RESERVED.

THIS DRAWING IS UNPUBLISHED.

© COPYRIGHT 2007 By -