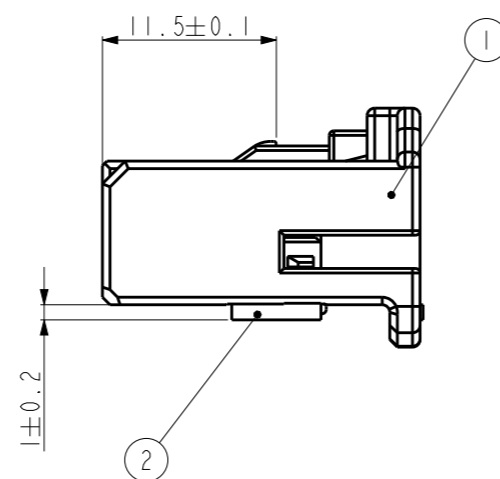
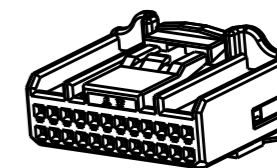
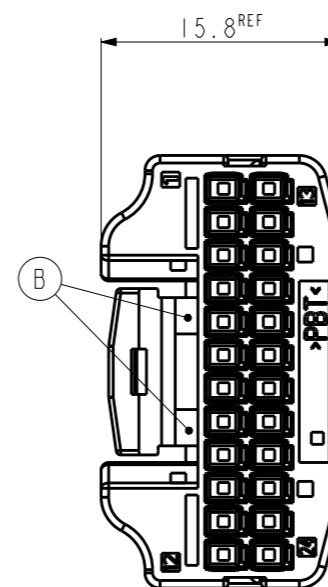
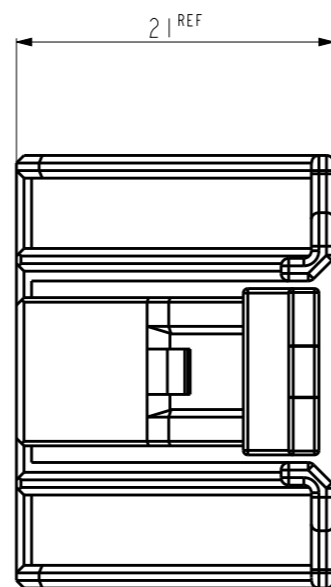
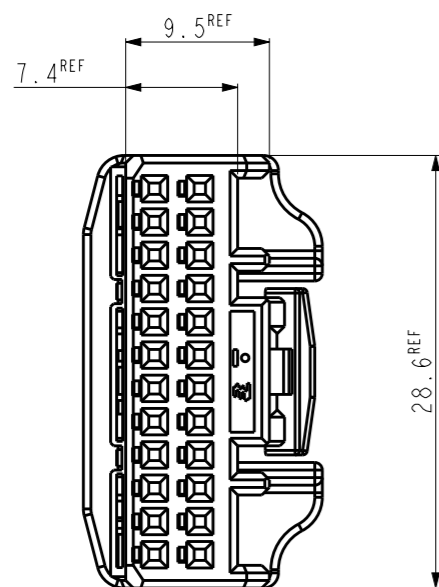


REVISIONS

| P | LTR | DESCRIPTION | DATE | DWN | APVD |
|---|-----|-------------------------|--------------|-----|------|
| A | I | REVISED (ECR-09-024685) | 11. NOV. '09 | KT | HG |
| B | | REVISED (ECR-15-014757) | 12. NOV. '15 | SJ | HG |
| B | I | REVISED (ECR-16-007341) | 20. MAY. '16 | SJ | JW |
| C | | REVISED (ECR-16-008800) | 17. JUN. '16 | JM | JW |



NOTE

- 1. PART NUMBER OF CAP HOUSING TO BE MATED : 2005085
- 2. APPLIED TERMINAL : SEE TABLE 1
- 3. GENERAL TOLERANCE : ±0.3, ±3°

(B1)

| PLUG ASS'Y | PLUG ASS'Y | DESCRIPTION |
|------------|------------|-------------|
| 2005082-2 | 2005082-1 | ASS'T P/N |

| NO. | COLOR | MATERIAL | DESCRIPTION | Q'TY |
|-----|---------|----------|-------------|------|
| 2 | NATURAL | PBT | DBL HSG | 1 |
| 1 | BLACK | PBT | PLUG HSG | 1 |
| | NATURAL | PBT | PLUG HSG | 1 |

<TABLE 1>

| P/NO | FINISH | WIRE RANGE |
|-----------|---------|-------------|
| 2005097-1 | PRE-TIN | 0.13 ~ 0.22 |
| 2005427-1 | PRE-TIN | 0.3 ~ 0.5 |

THIS DRAWING IS A CONTROLLED DOCUMENT.

| | |
|-----------------------|--|
| DIMENSIONS: mm | TOLERANCES UNLESS OTHERWISE SPECIFIED: |
| | 0 PLC ± |
| | 1 PLC ± |
| | 2 PLC ± |
| | 3 PLC ± |
| | 4 PLC ± |
| | ANGLES ± |
| MATERIAL SEE TABLE | FINISH - |

| |
|-----------------------|
| DWN JM JEON |
| CHK - |
| APVD JW JUNG |
| PRODUCT SPEC - |
| APPLICATION SPEC - |
| WEIGHT - |
| CUSTOMER DRAWING |

TE TE Connectivity

NAME
025 24P PLUG ASS'Y

| | | | |
|--------------|--------------------|-------------------------|--------------------|
| SIZE A3 | CAGE CODE 00779 | DRAWING NO C-2005082 | RESTRICTED TO - |
| SCALE 2:1 | SHEET 1 | OF 1 | REV C |