

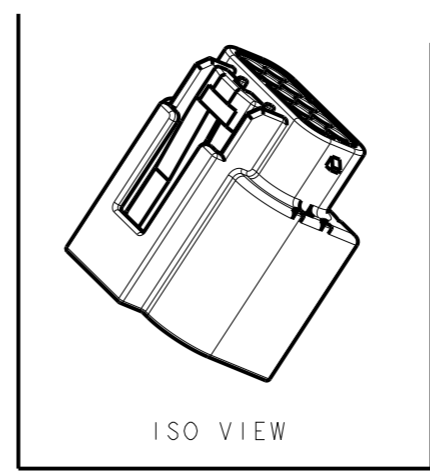
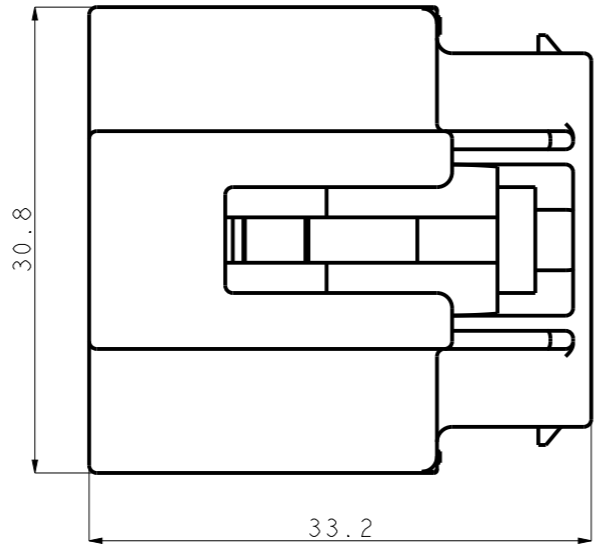
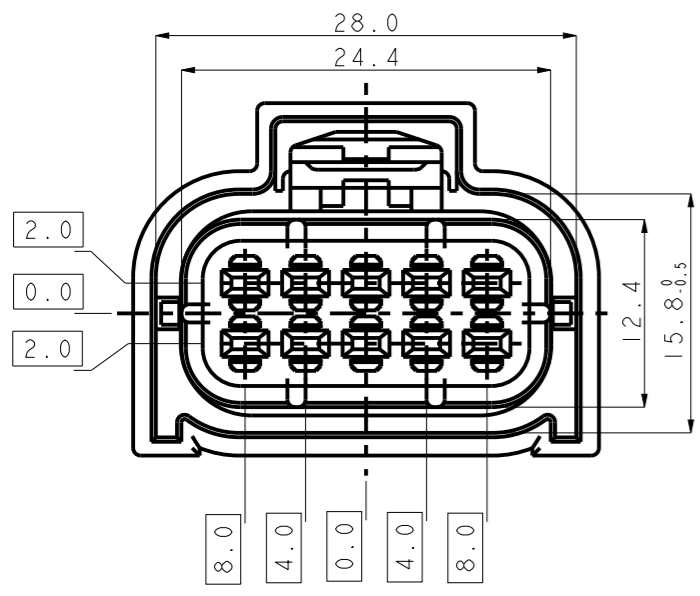
THIS DRAWING IS UNPUBLISHED. RELEASED FOR PUBLICATION 20

© COPYRIGHT 20 BY - ALL RIGHTS RESERVED.

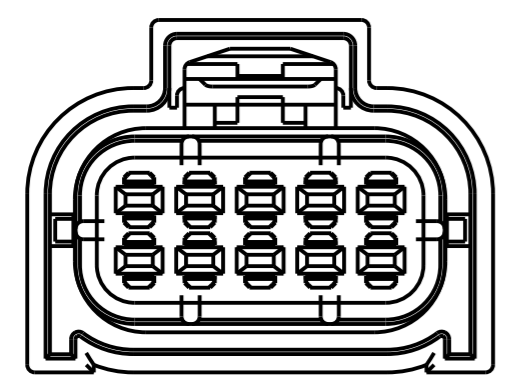
REVISIONS

P	LTR	DESCRIPTION	DATE	DWN	APVD
A	I	REVISED(ECR-12-020605)	16NOV2012	SJ	HG
B	I	REVISED(ECR-16-005149)	15JAN2016	SM	HG
C	I	REVISED(ECR-18-018371)	14DEC2018	SI	YJ
D	I	REVISED(ECR-20-015614)	14JUN2021	JY	YJ

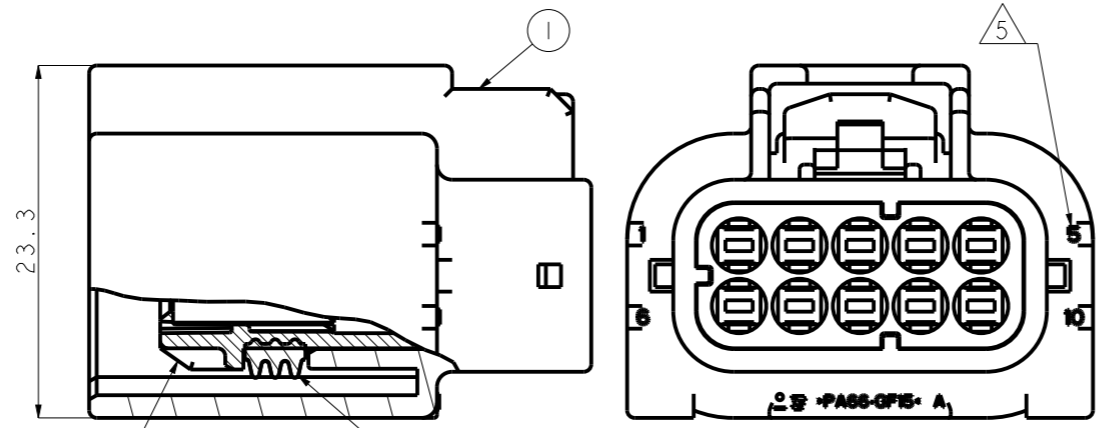
CODING-A(P/N:1897726-2)



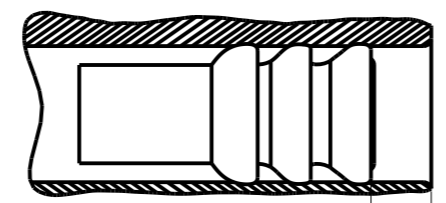
CODING-A(P/N:1-1897726-2)



Missing dimension see P/N: 1897726-2

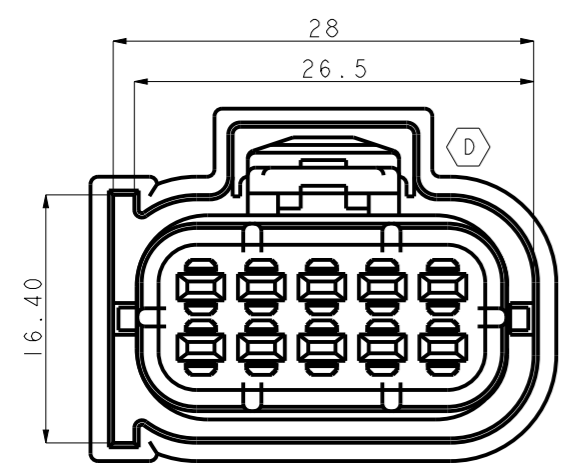


DEAD END PLUG INSERTION DEPTH: 1.5mm ±0.5

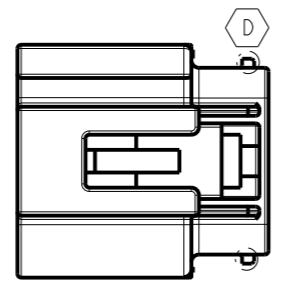


SCALE 5:1

CODING-B(P/N:2-1897726-3)



Missing dimension see P/N: 1897726-2



(2-1897726-3)

TABLE 1. APPLICABLE REC. CONTACT.

ASS'Y P/N	REC.	PART NO.	WIRE RANGE(mm ²)	INSULATION DIA.(mm) (FLR)
1897726-2	MCP 1.5	1241378	0.2-0.35	1.1-1.4
		1241380	0.5-1.0	1.4-2.1
		2188859-1		
1-1897726-2 2-1897726-3	MT-111	1241730	0.3~0.5	1.15~1.6
		1241732	0.5~1.0	1.4~2.0
	MT-11	1703414	1.25	2.2~2.4

TABLE 2. APPLICABLE SINGLE WIRE SEALS

WIRE RANGE(mm ²)	INSULATION DIA.(mm)	COLOR	PART NO.
0.35-0.50	1.2~1.6	RED	964971-1
0.50-0.75	1.4~1.9	GRAY	963530-1
1.0	1.9~2.1	YELLOW	964972-1
1.25	1.9~2.4	ORANGE	2112323-1

TABLE 3. APPLICABLE SINGLE WIRE SEALS

APPLICABLE ASS'Y P/N	DEAD END PLUG	COLOR	PART NO.
1-1897726-2	DEAD END PLUG	WHITE	963531-1
		NATURAL	1394132-1
2-1897726-3		NATURAL	1394132-1

- NOTE :
- GENERAL TOLERANCE : ±0.3, ±3.0°
 - APPLICABLE REC. CONTACT : SEE TABLE 1.
 - APPLICABLE SINGLE WIRE SEAL : SEE TABLE 2.
 - THE MATING TAB HSG P/N : 1897725-2,1-1897725-3
 - CURCUIT NO.
 - GM RESTRICTED P/N
 - DEAD END PLUG INSERTION DEPTH : 1.5 ±0.5
 - APPLICABLE COVER P/N : 2219417-2

NO.	PART NO.	DESCRIPTION	MATERIAL	COLOR	Q'TY
3	1-2005918-6	INNER SEAL	SILICONE	RED ORANGE	1
	2005918-1			GREEN	1
2	2188707-3	CAVITY PLUG HSG	PBT-GF20 PA6-GB20-GF10	GRAY	1
	1897728-2			BLACK	1
1	1-1897727-3	REC. HSG	PA66-GF15	GRAY	1
	1897727-2			BLACK	1

THIS DRAWING IS A CONTROLLED DOCUMENT.

DIMENSIONS: mm

TOLERANCES UNLESS OTHERWISE SPECIFIED:

0 PLC	±0.5
1 PLC	±0.5
2 PLC	±0.13
3 PLC	±0.013
4 PLC	±0.0001
ANGLES	±

MATERIAL: - FINISH: -

DWN: SM LEE
 CHK: KT LIM
 APVD: HG CHO
 PRODUCT SPEC: -
 APPLICATION SPEC: -
 WEIGHT: -

STE TE Connectivity

NAME: MCP1.5 SEALED 10P REC. HSG ASS'Y

SIZE: A3 CAGE CODE: 300779 DRAWING NO: 1897726

CUSTOMER DRAWING SCALE: 1:1 SHEET: 1 OF 1 REV: D