

THIS DRAWING IS UNPUBLISHED. RELEASED FOR PUBLICATION 20

© COPYRIGHT 20 BY - ALL RIGHTS RESERVED.

REVISIONS

P	LTR	DESCRIPTION	DATE	DWN	APVD
C		REVISED (ECR-20-015707)	07.DEC.'20	JS	YJ

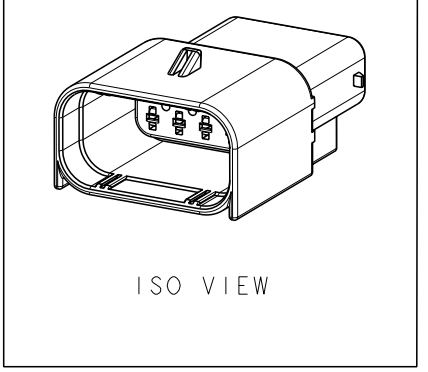
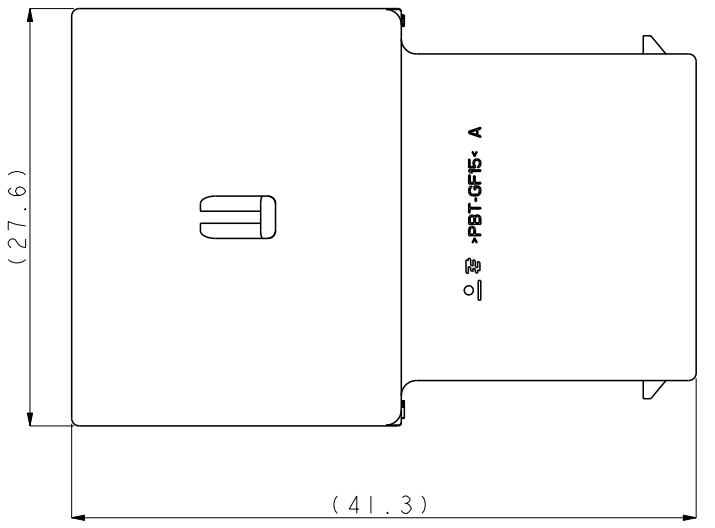
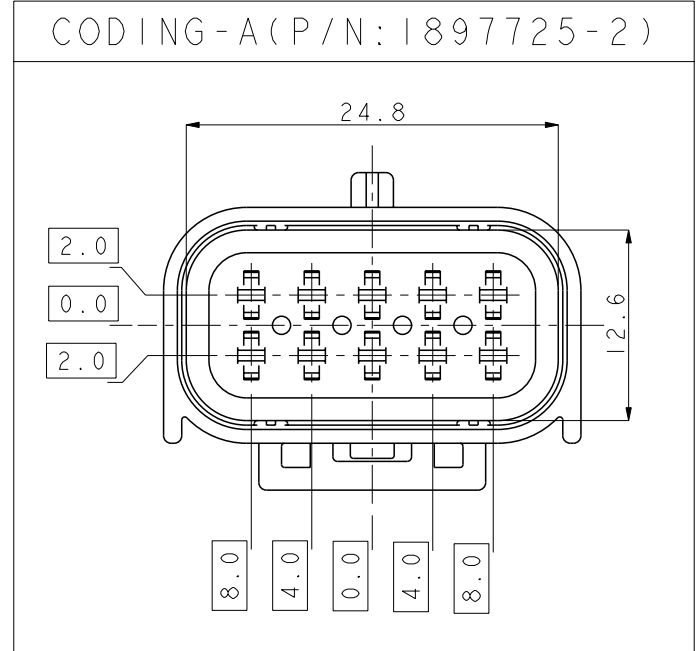


TABLE 1. APPLICABLE TAB CONTACT.

TAB	PART NO.	WIRE RANGE(mm ²)	INSULATION DIA.(mm) (FLR)
MCP 1.5	969028	0.2-0.5	1.2-1.6
	964269	0.5-1.0	1.4-2.1
	△ 1703278	1.25-1.5	1.4-2.1

TABLE 2. APPLICABLE SINGLE WIRE SEALS.

WIRE RANGE(mm ²)	INSULATION DIA.(mm)	COLOR	PART NO.
0.35-0.50	1.2~1.6	RED	964971-1
0.50-0.75	1.4~1.9	GRAY	963530-1
1.0	1.9~2.1	YELLOW	964972-1
△ 1.25	1.9~2.4	ORANGE	2112323-1

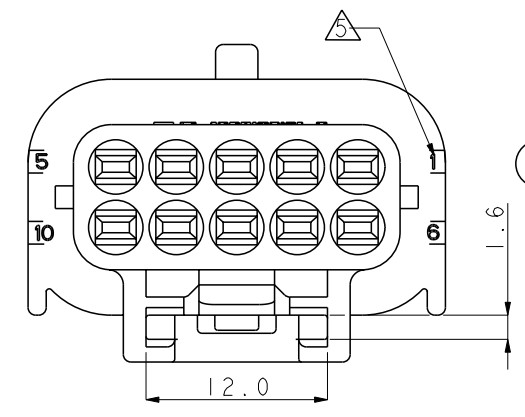
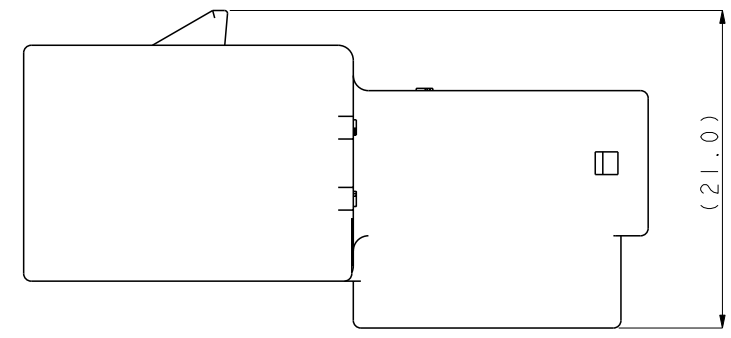
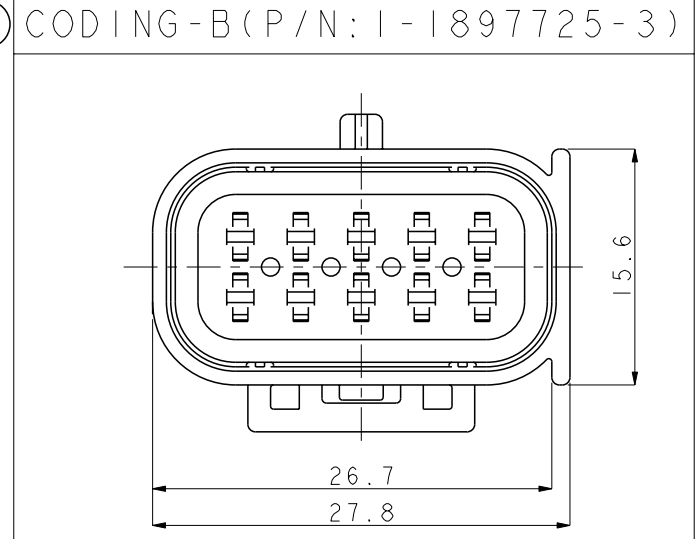


TABLE 3. APPLICABLE DEAD END PLUG

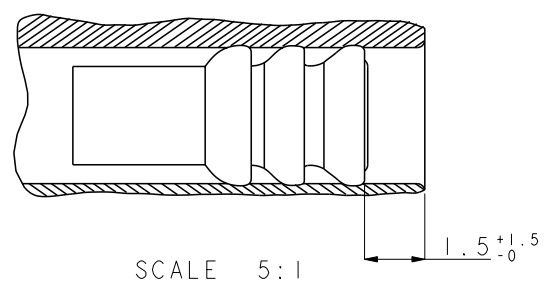
APPLICABLE ASS'Y P/N	△ DEAD END PLUG	COLOR	PART NO.
1-1897726-2	DEAD END PLUG	WHITE	963531-1
		NATURAL	1394132-1
2-1897726-3	DEAD END PLUG	NATURAL	1394132-1

Missing dimension see P/N: 1897725-2

NOTE ;

- GENERAL TOLERANCE : ±0.3, ±3.0°
- APPLICABLE TAB CONTACT : SEE TABLE 1.
- APPLICABLE SINGLE WIRE SEAL : SEE TABLE 2.
- THE MATING REC. HSG ASS'Y P/N : 1897726-2 / 1-1897726-2 / 2-1897726-3
- CIRCUIT NO.
- TAB CONTACT(P/N:1703278) AND SINGLE WIRE SEALS(P/N:2112323-1) SHOULD BE USED TO ONLY MATING REC. HSG ASS'Y(P/N:1-1897726-2).
- DEAD END PLUG INSERTION DEPTH: 1.5mm ±0.5
- APPLICABLE COVER P/N : 2219418-2

DEAD END PLUG INSERTION DEPTH: 1.5mm ±0.5



THIS DRAWING IS A CONTROLLED DOCUMENT.

DIMENSIONS:	TOLERANCES UNLESS OTHERWISE SPECIFIED:
mm	
0 PLC	±
1 PLC	±0.5
2 PLC	±0.13
3 PLC	±0.013
4 PLC	±0.0001
ANGLES	±
MATERIAL	FINISH

DWN	SM LEE
CHK	KT LIM
APVD	HG CHO
PRODUCT SPEC	-
APPLICATION SPEC	-
WEIGHT	-

PART NO.	DESCRIPTION	MATERIAL	COLOR
1-1897725-3	TAB HSG	PBT-GF15	GRAY
1897725-2	TAB HSG	PBT-GF15	BLACK



MCP1.5 SEALED 10P TAB HSG

SIZE	CAGE CODE	DRAWING NO	RESTRICTED TO
A300779	C=1897725		-

CUSTOMER DRAWING SCALE 2:1 SHEET 1 OF 1 REV C

Printed on 24 Dec 2020 16:10 from TE244267