

4

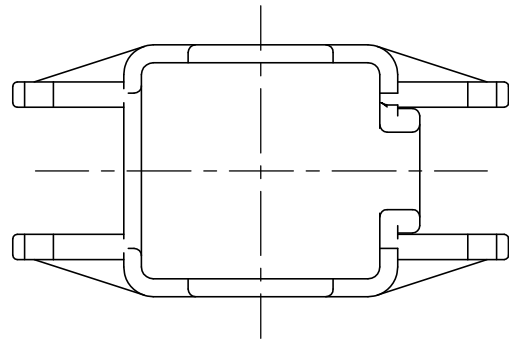
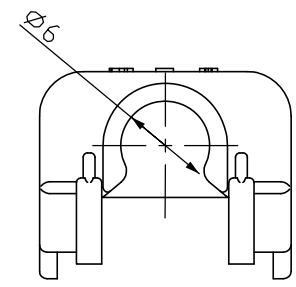
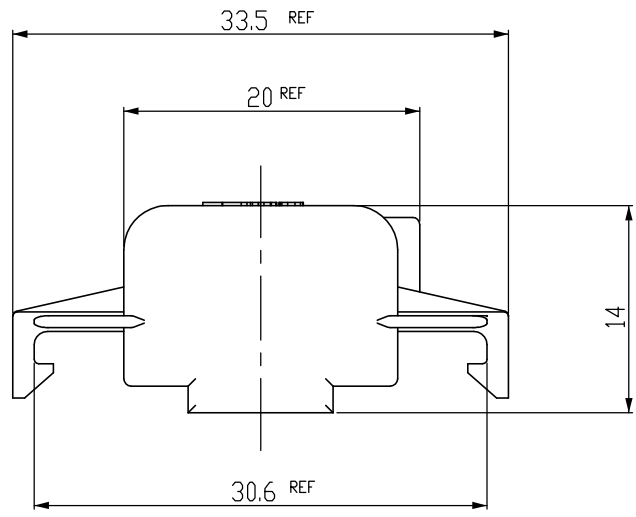
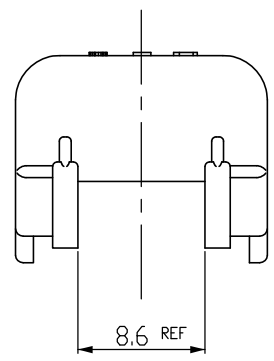
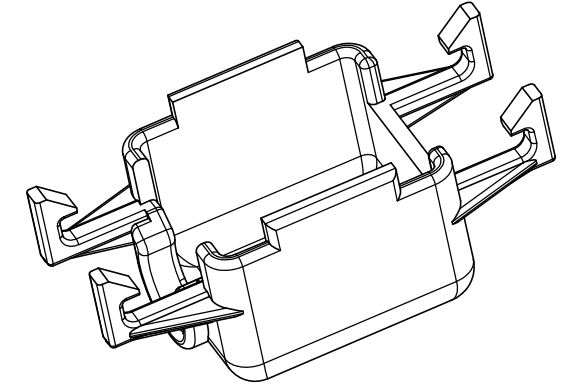
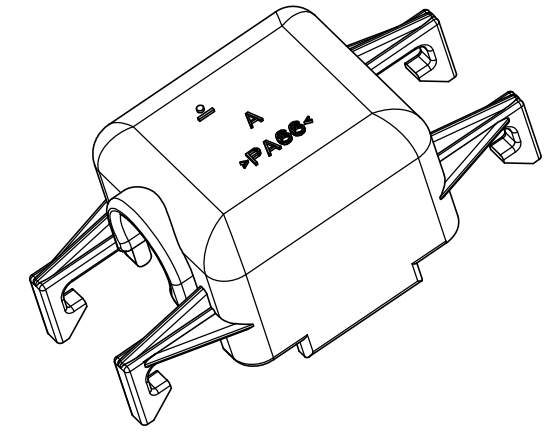
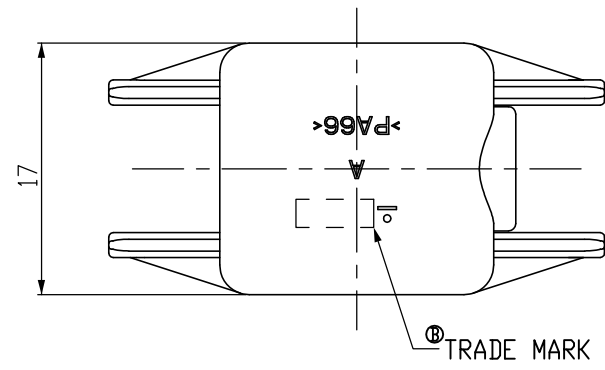
3

2

1

THIS DRAWING IS UNPUBLISHED. RELEASED FOR PUBLICATION
 © COPYRIGHT BY TYCO ELECTRONICS CORPORATION. ALL RIGHTS RESERVED.

LOC	DIST	REVISIONS					
DS	—	P	LTR	DESCRIPTION	DATE	DWN	APVD
			B	REVISED (ECR-10-024376)	08/DEC/10	SJ	HG



NOTE
 1. GENERAL TOLERANCE:±0.3
 2. APPLICABLE CONNECTOR:X-967616-X
 3. APPLICATION TEST SPEC:MS210-12(EXCEPT 4.4)

BLACK	PA66	0-1897096-2
COLOR	MATERIAL	P/N

<small>THIS DRAWING IS A CONTROLLED DOCUMENT FOR TYCO ELECTRONICS CORPORATION IT IS SUBJECT TO CHANGE AND THE CONTROLLING ENGINEERING ORGANIZATION SHOULD BE CONTACTED FOR THE LATEST REVISION.</small>		DWN SJ CHOI CHK JW JUNG APVD HG CHOI PRODUCT SPEC APPLICATION SPEC WEIGHT						
DIMENSIONS: MM 3rd ANGLE PROJECTION	TOLERANCES UNLESS OTHERWISE SPECIFIED: 0 PLC ± 1 PLC ± 2 PLC ± 3 PLC ± 4 PLC ± ANGLES ±	NAME WIRE COVER FOR MQS 6P SLD CONN'R		SIZE A3	CAGE CODE 00079	DRAWING NO 1897096	RESTRICTED TO —	
MATERIAL SEE TABLE		FINISH		CUSTOMER DRAWING		SCALE 2:1	SHEET 1 OF 1	REV B