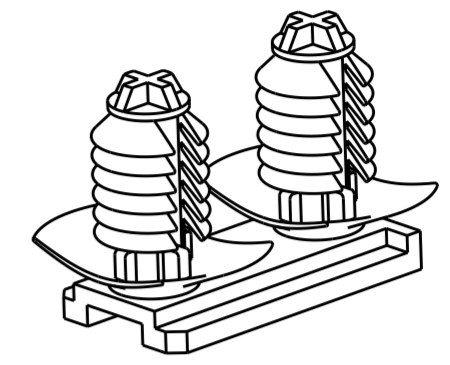
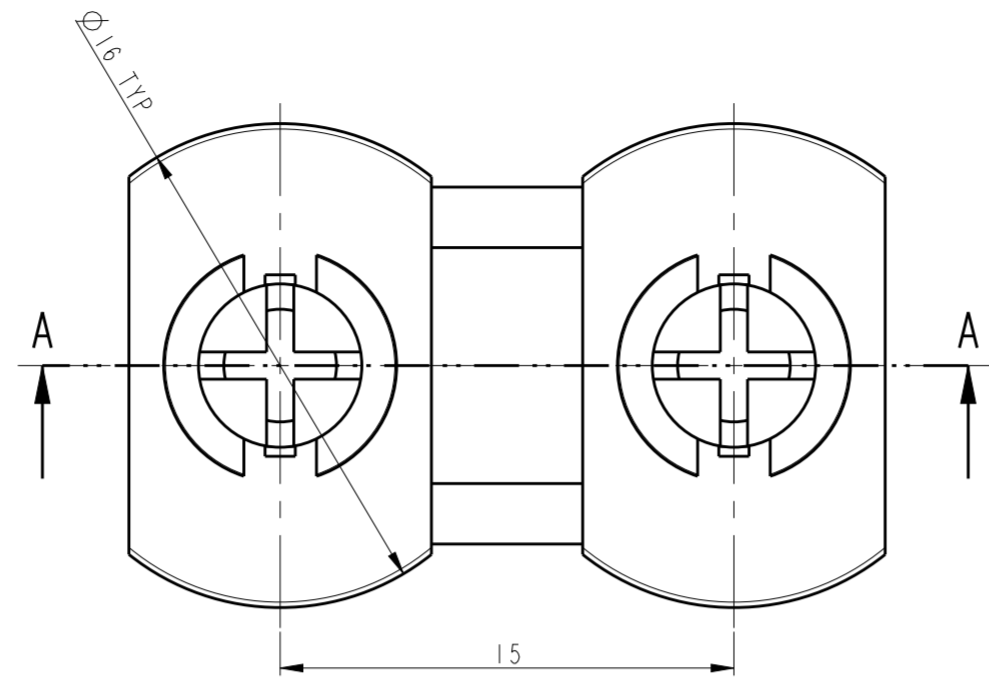
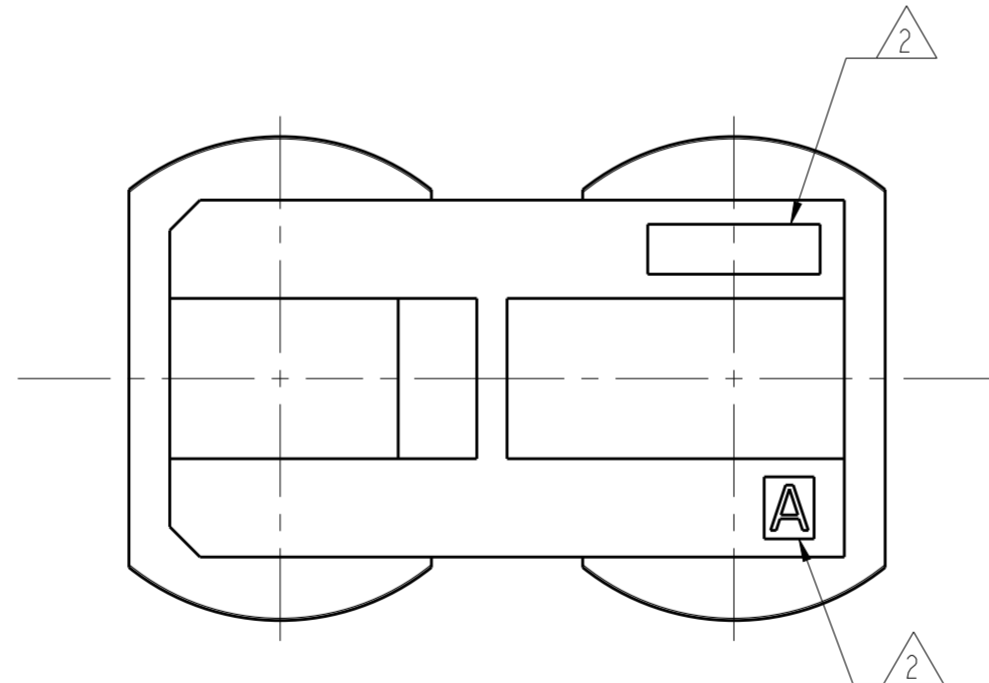
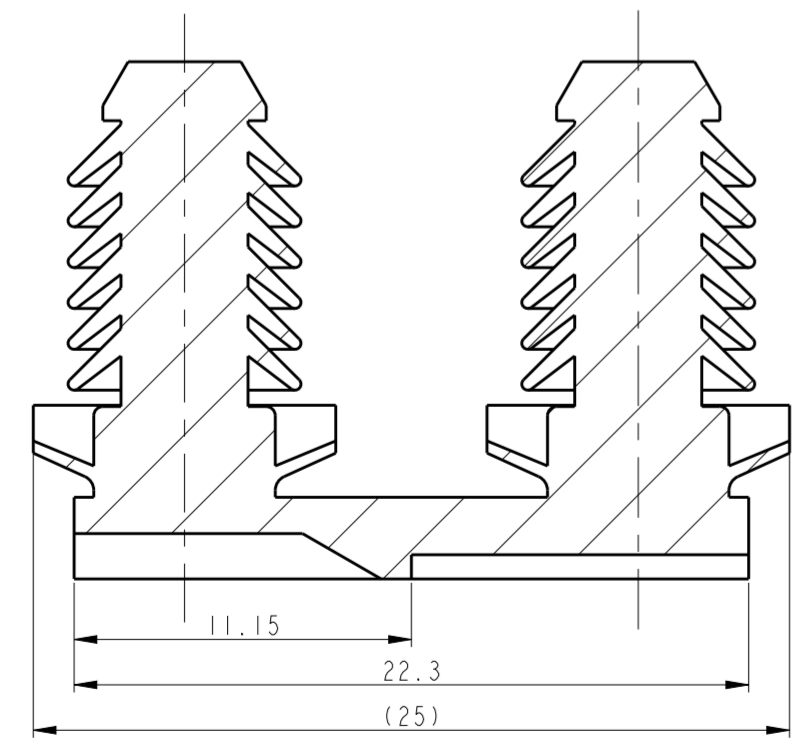
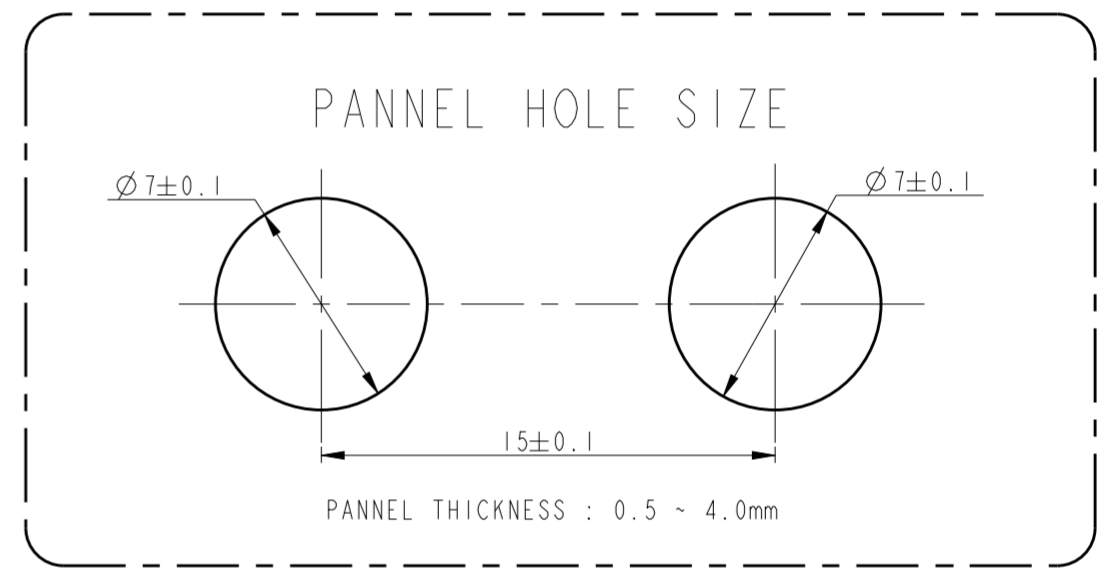
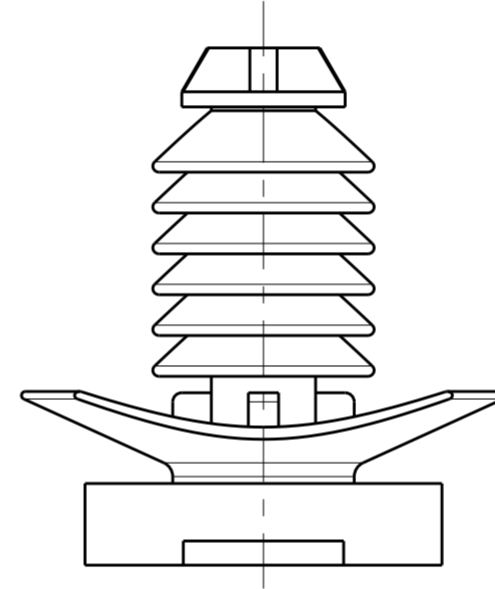
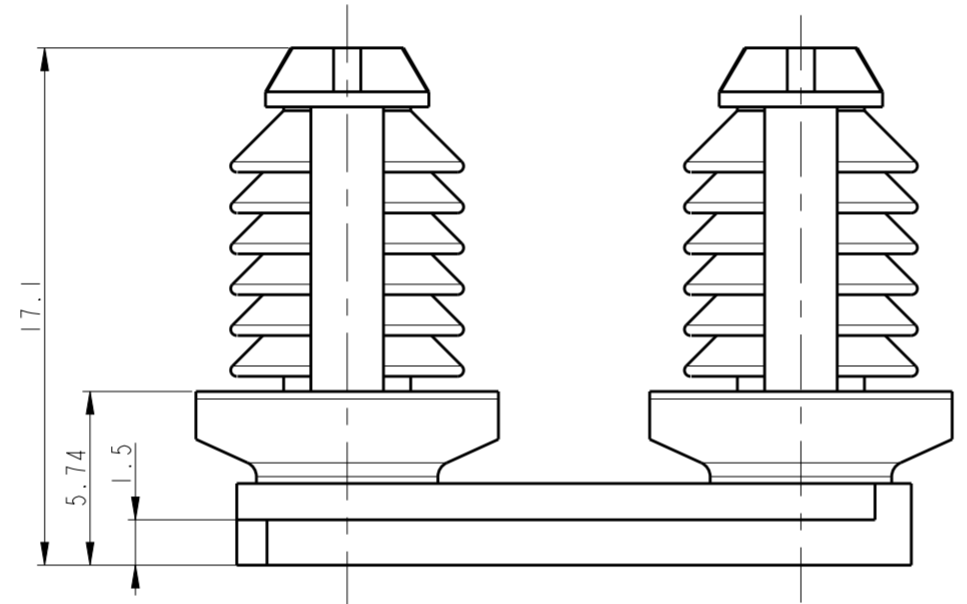
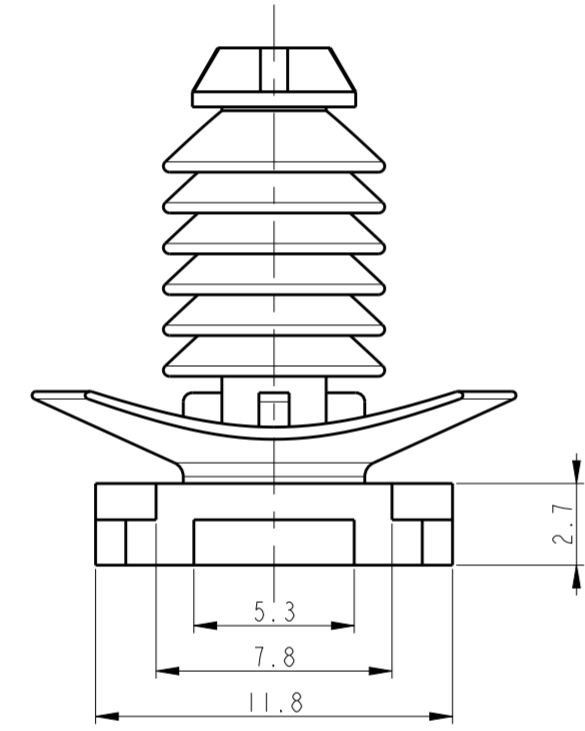


THIS DRAWING IS UNPUBLISHED. RELEASED FOR PUBLICATION 2016  
 © COPYRIGHT 2005 BY TE CONNECTIVITY ALL RIGHTS RESERVED.

REVISIONS					
P	LTR	DESCRIPTION	DATE	DWN	APVD
	A	RELEASED	16. JUN. '05	SB	CS
	A1	REVISED (ECR-16-016589)	23NOV2016	JM	JW
	A2	REVISED (ECR-19-011712)	25JUL2019	SH	YJ



1743455-X  
3D VIEW  
SCALE 2/1



NOTES

① 1. GENERAL TOLERANCE:

GENERAL TOLERANCES	
10 MAX	±0.2
10 OVER 30 MAX	±0.25
30 OVER	±0.3
ANGLES	±3°

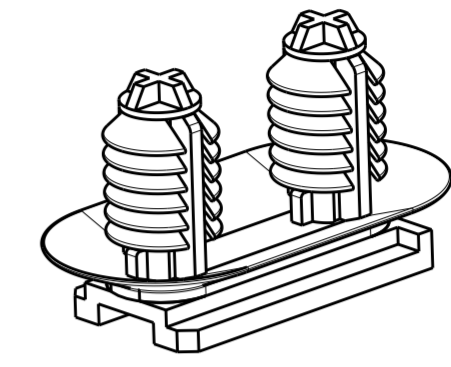
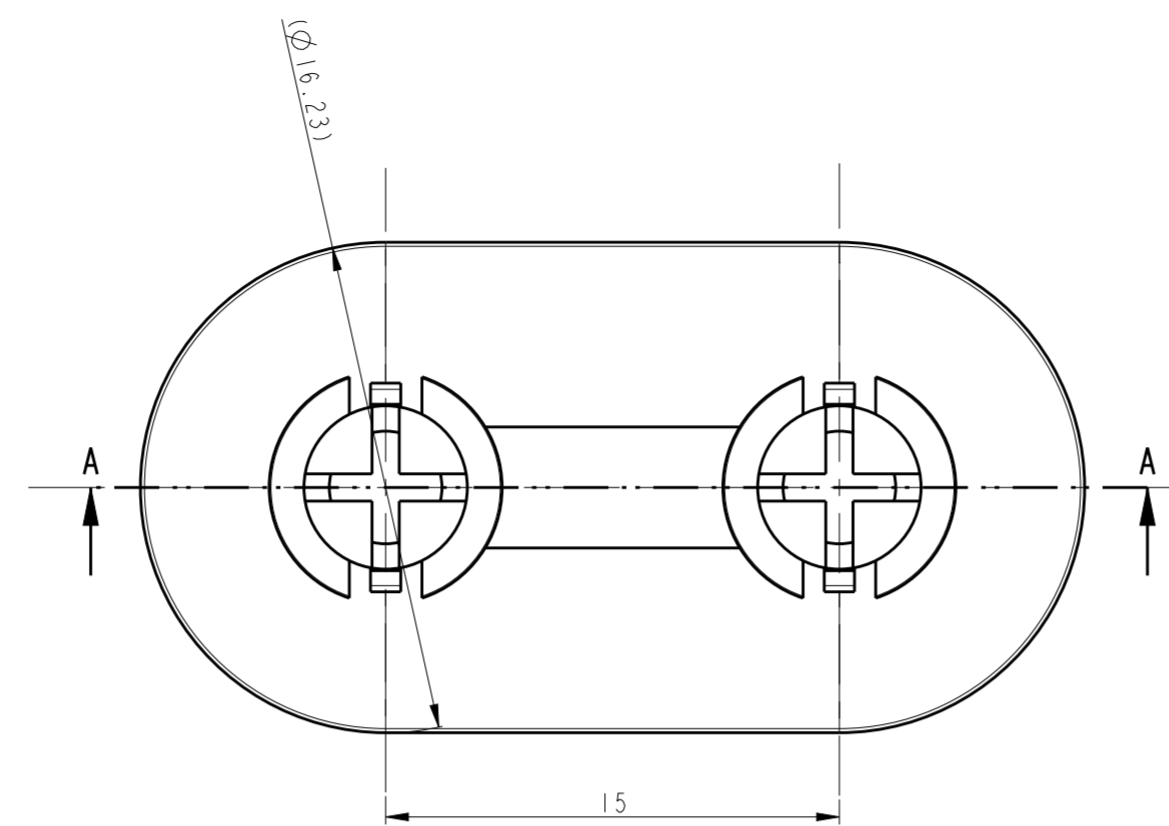
△ TRADE MARK, CAVITY MARK

NO.	COLOR	MATERIAL	DESCRIPTION	P/N
① 2	GRAY	PA66	CLIP HSG	1743455-3
1	BLACK	PA66	CLIP HSG	1743455-2

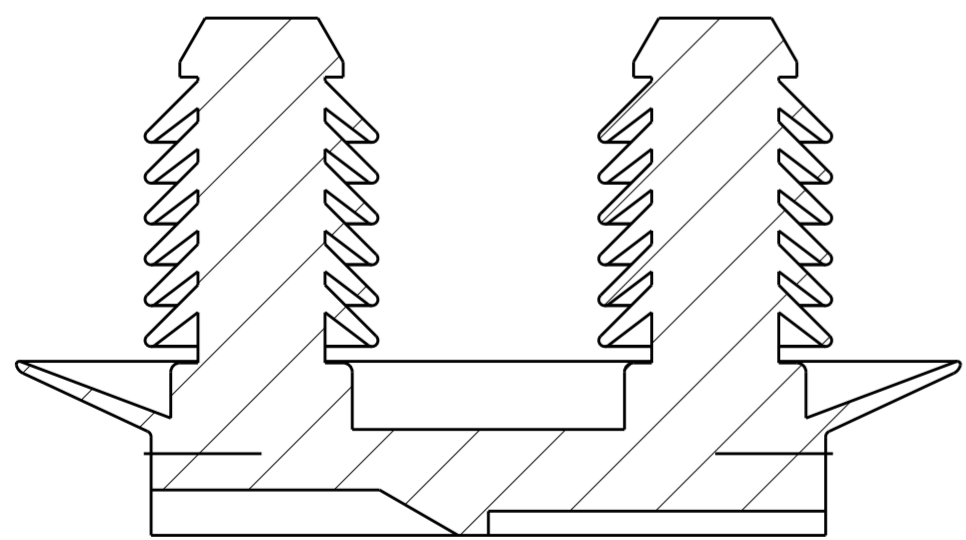
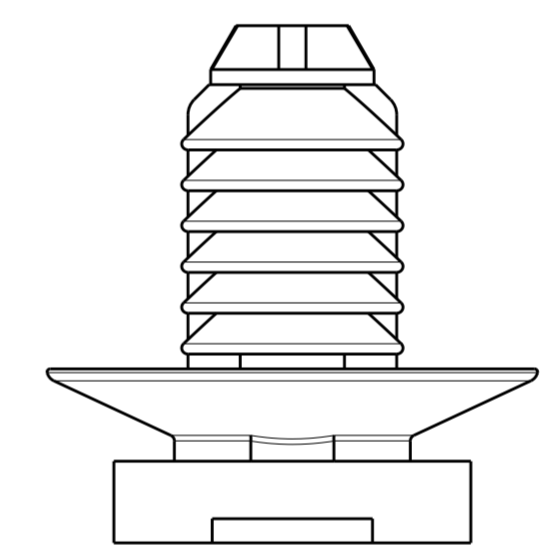
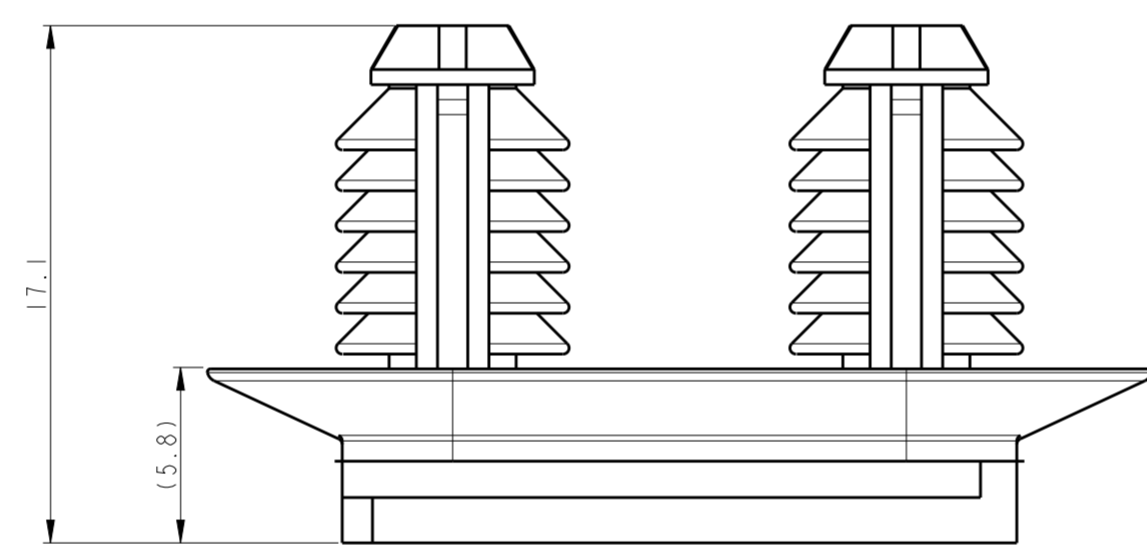
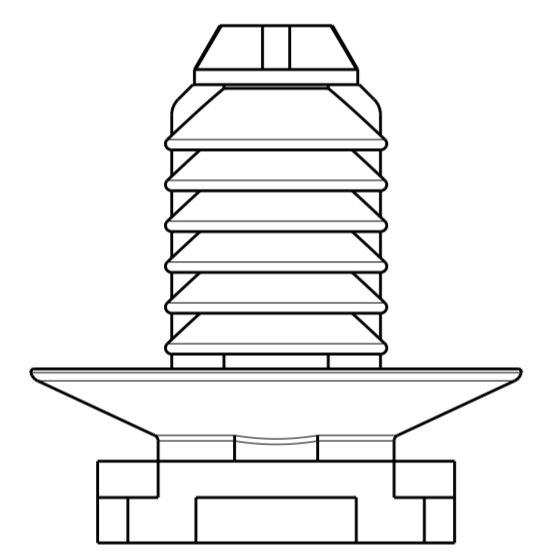
THIS DRAWING IS A CONTROLLED DOCUMENT.		DWN JM JEON	TE Connectivity		
DIMENSIONS: mm		CHK -			
TOLERANCES UNLESS OTHERWISE SPECIFIED		APVD JW JUNG	NAME CLIP HSG FOR 090 MLC (TYPE3)		
0 PLC ±		PRODUCT SPEC -	SIZE CAGE CODE DRAWING NO RESTRICTED TO		
1 PLC ±		APPLICATION SPEC -	A2 00779 C-1743455		
2 PLC ±		WEIGHT -	SCALE 2:1 SHEET 1 OF 2 REV A2		
3 PLC ±		RESTRICTED CUSTOMER			
4 PLC ±					
ANGLES ±					
FINISH					

REVISIONS				
P	LTR	DESCRIPTION	DATE	APVD
SEE SHEET 1 OF 2				

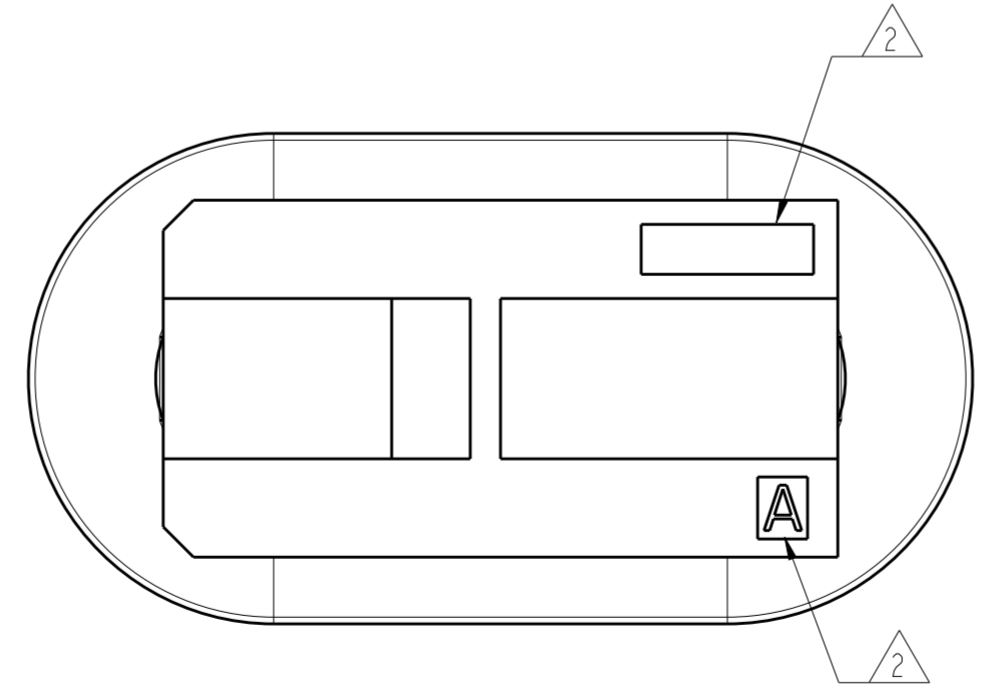
#1-1743455-2  
 CONVERSION PART.  
 MISSING DIMENSIONS ARE SAME WIHT 1743455-2



1-1743455-X  
 3D VIEW



SECTION A-A  
 SCALE 4:1



A2	3	BLACK	PA66	CLIP HSG	1-1743455-2
	NO.	COLOR	MATERIAL	DESCRIPTION	P/N

THIS DRAWING IS A CONTROLLED DOCUMENT.		DWN -	TE Connectivity		
DIMENSIONS: mm		CHK -			
TOLERANCES UNLESS OTHERWISE SPECIFIED		APVD -	NAME CLIP HSG FOR 090 MLC (TYPE3)		
0 PLC ±		SEE SHEET 1 OF 2 PRODUCT SPEC - APPLICATION SPEC - WEIGHT - RESTRICTED CUSTOMER			
1 PLC ±					
2 PLC ±					
3 PLC ±					
4 PLC ±		SIZE A2		CAGE CODE 00779	DRAWING NO. 1743455
ANGLES ±		RESTRICTED TO		SCALE 2:1	SHEET 2 OF 2
FINISH -		REV A2			