

THIS DRAWING IS UNPUBLISHED.

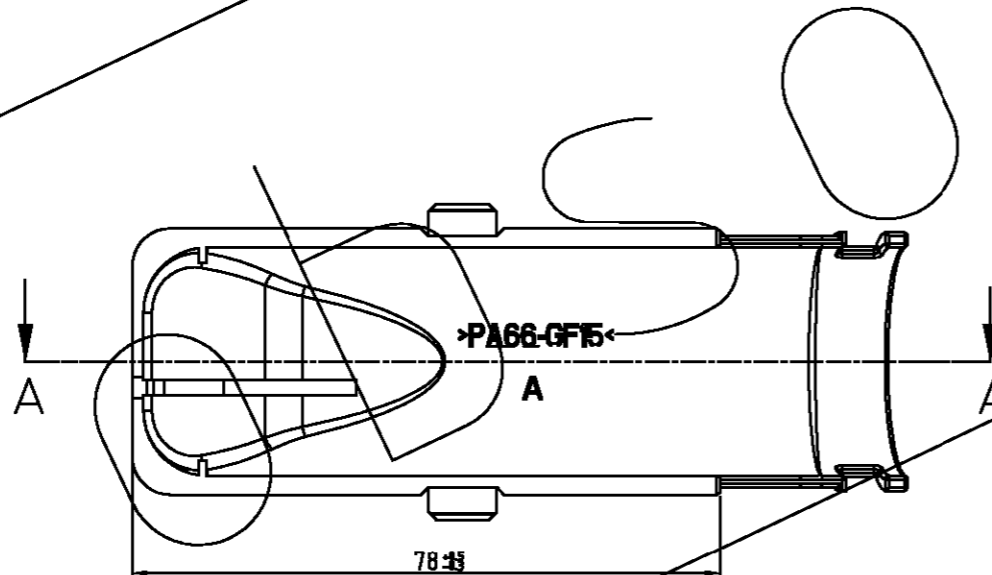
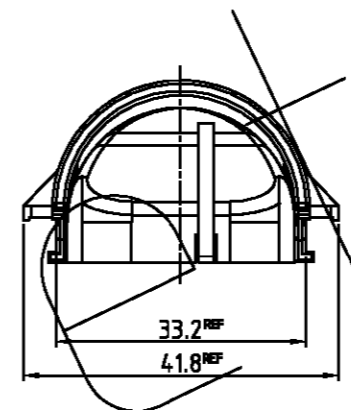
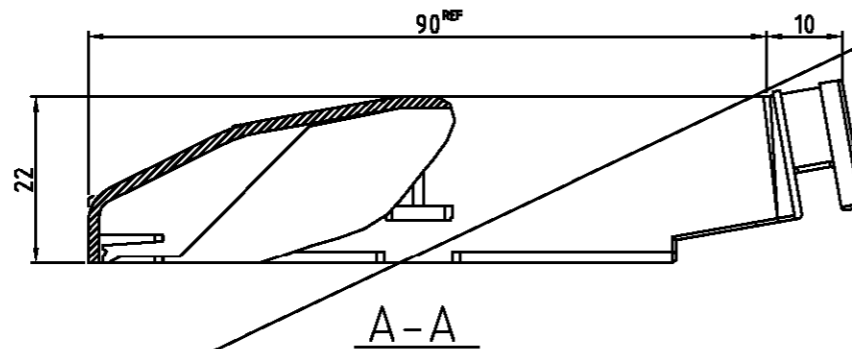
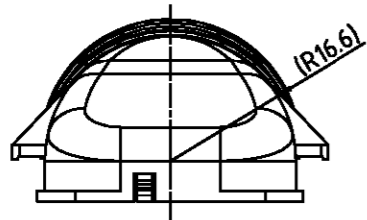
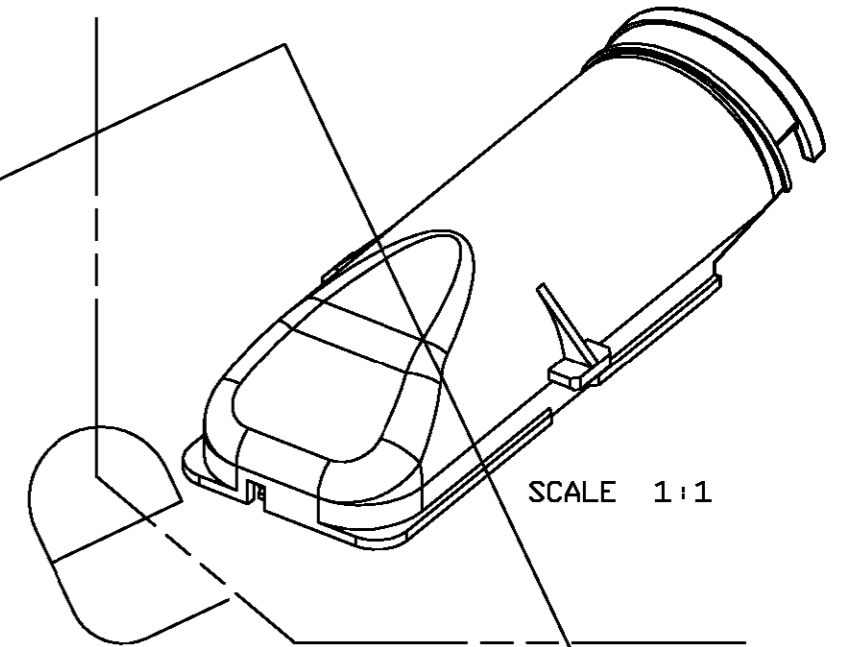
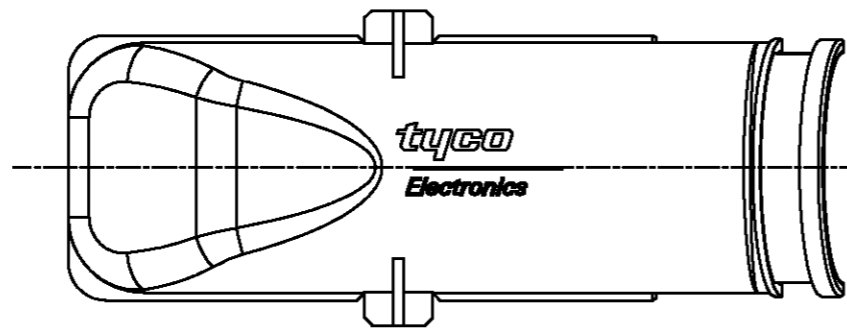
RELEASED FOR PUBLICATION

COPYRIGHT BY TYCO ELECTRONICS CORPORATION, ALL RIGHTS RESERVED.

LOC DS DIST

REVISIONS

P	LTR	DESCRIPTION	DATE	DWN	APVD
A		RELEASED	26/JUL/05	YH	JK
A1		REVISED(ECR-06-021726)	11/SEP/06	YH	JK



NOTE;

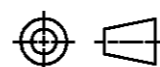
- 1. MATING CONN'R ASSY PART No.: 1743237
- 2. APPLICATION TEST SPEC:MS210-06-C (EXCEPT 4.4)

0-1743417-2	PA66 GF15	BLACK
PART NO.	MATERIAL	COLOR

THIS DRAWING IS A CONTROLLED DOCUMENT FOR TYCO ELECTRONICS CORPORATION IT IS SUBJECT TO CHANGE AND THE CONTROLLING ENGINEERING ORGANIZATION SHOULD BE CONTACTED FOR THE LATEST REVISION.

DIMENSIONS: mm

TOLERANCES UNLESS OTHERWISE SPECIFIED:



3rd ANGLE PROJECTION

DECIMALS ; ±0.3
ANGLES ; ±3'

MATERIAL

FINISH

DWN :YH MA

CHK :YH CHOI

APVD :JK SONG

PRODUCT SPEC

APPLICATION SPEC

WEIGHT

tyco
Electronics

AMP KOREA.
kyungsan, korea

NAME

COVER HSG FOR
SHIELD 94POS.(FOR HD, MG, UN)

SIZE

CAGE CODE

DRAWING NO

RESTRICTED TO

A3 00779 C= 1743417

CUSTOMER DRAWING

SCALE 1/1

SHEET 1 OF 1

REV A1