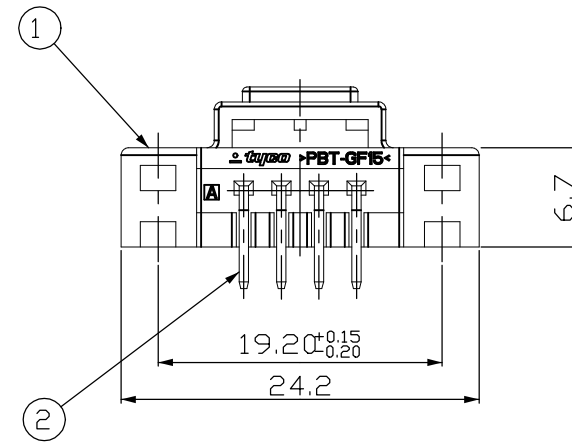
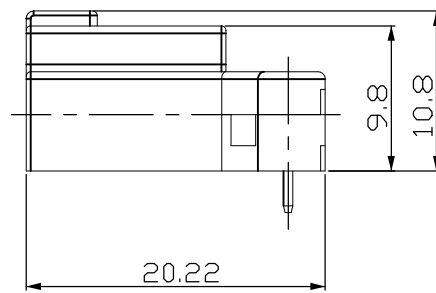
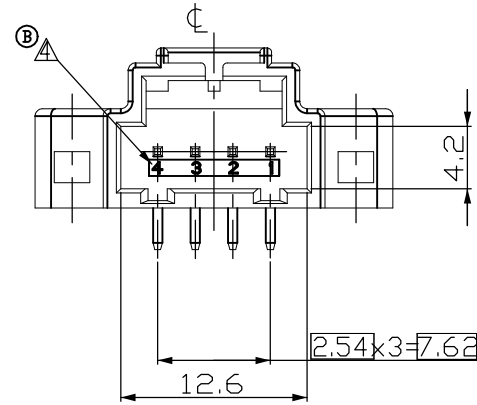
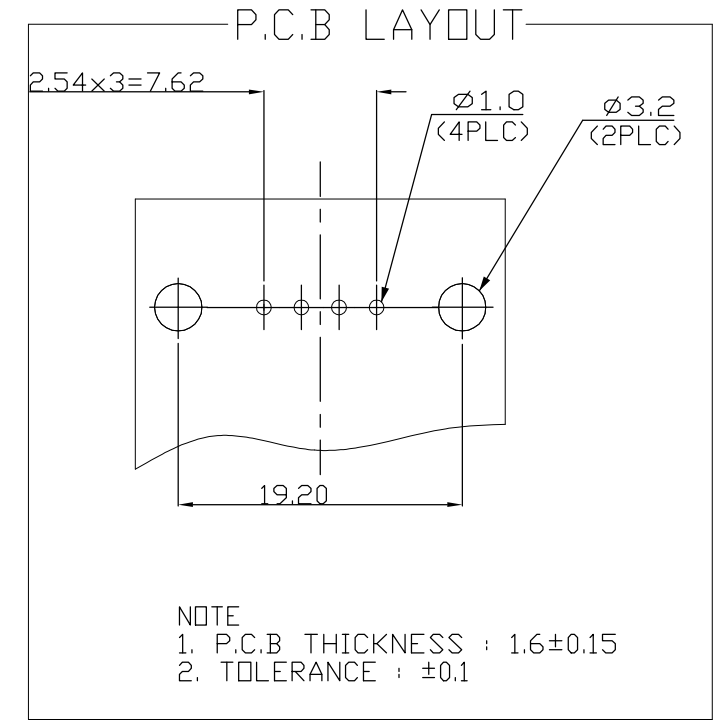
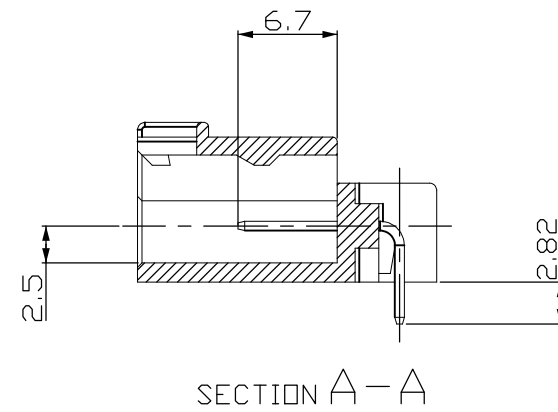
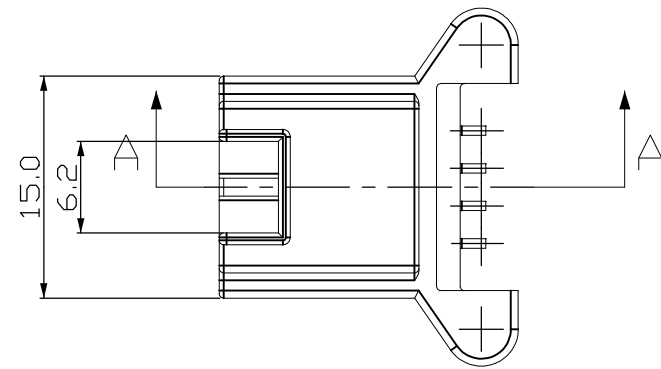


THIS DRAWING IS UNPUBLISHED. RELEASED FOR PUBLICATION

© COPYRIGHT BY TYCO ELECTRONICS CORPORATION, ALL RIGHTS RESERVED.

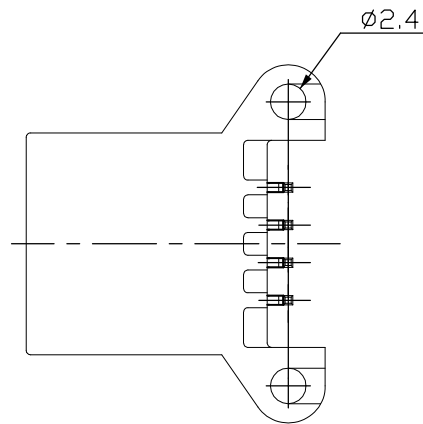
REVISIONS

P	LTR	DESCRIPTION	DATE	DWN	APVD
	A	REVISED (ECR-07-010627)	16.MAY.'07	DR	JK
	B	REVISED (ECR-17-013461)	13.SEP.'17	SJ	YJ



NOTE
 1. BE MATED WITH PLUG HSG(P/N : 936119) SMOOTHLY
 2. GENERAL TOLERANCE : ±0.3, ±3°
 3. PULL-OUT FORCE OF THE CONTACT : Min 25N WHEN V = 25mm/min

ⓑ ⓐ CIRCUIT NUMBER



NO	COLOR/FINISH	MATERIAL	DESCRIPTION	Q'TY
②	POST TIN	PHOSPHOR BRONZE	063 SQUARE CONTACT PIN	3
①	DARK GRAY	PBT-GF15	MQS 4P CAP HOUSING(HORIZONTAL TYPE)	1
	YELLOW	PBT-GF15	MQS 4P CAP HOUSING(HORIZONTAL TYPE)	1

ASSY P/N	ASSY DESCRIPTION	CIRCUIT LAYOUT
1-1743218-3	MQS 3P CAP ASSY (HORIZONTAL TYPE)	4, 3, 1
1743218-5	MQS 4P CAP ASSY (HORIZONTAL TYPE)	4, 3, 2, 1

THIS DRAWING IS A CONTROLLED DOCUMENT.

DWN DR GOD
 CHK YM CHOI
 APVD JK SONG
 PRODUCT SPEC
 APPLICATION SPEC
 WEIGHT
 CUSTOMER DRAWING



MQS 4P CAP ASSEMBLY(HORIZONTAL TYPE)

DIMENSIONS: MM	TOLERANCES UNLESS OTHERWISE SPECIFIED:
	0 PLC ±
	1 PLC ±
	2 PLC ±
	3 PLC ±
	4 PLC ±
MATERIAL SEE TABLE	FINISH ±

SIZE	CAGE CODE	DRAWING NO	RESTRICTED TO
A3	00779	C-1743218	

SCALE 2:1 SHEET 1 OF 1 REV B