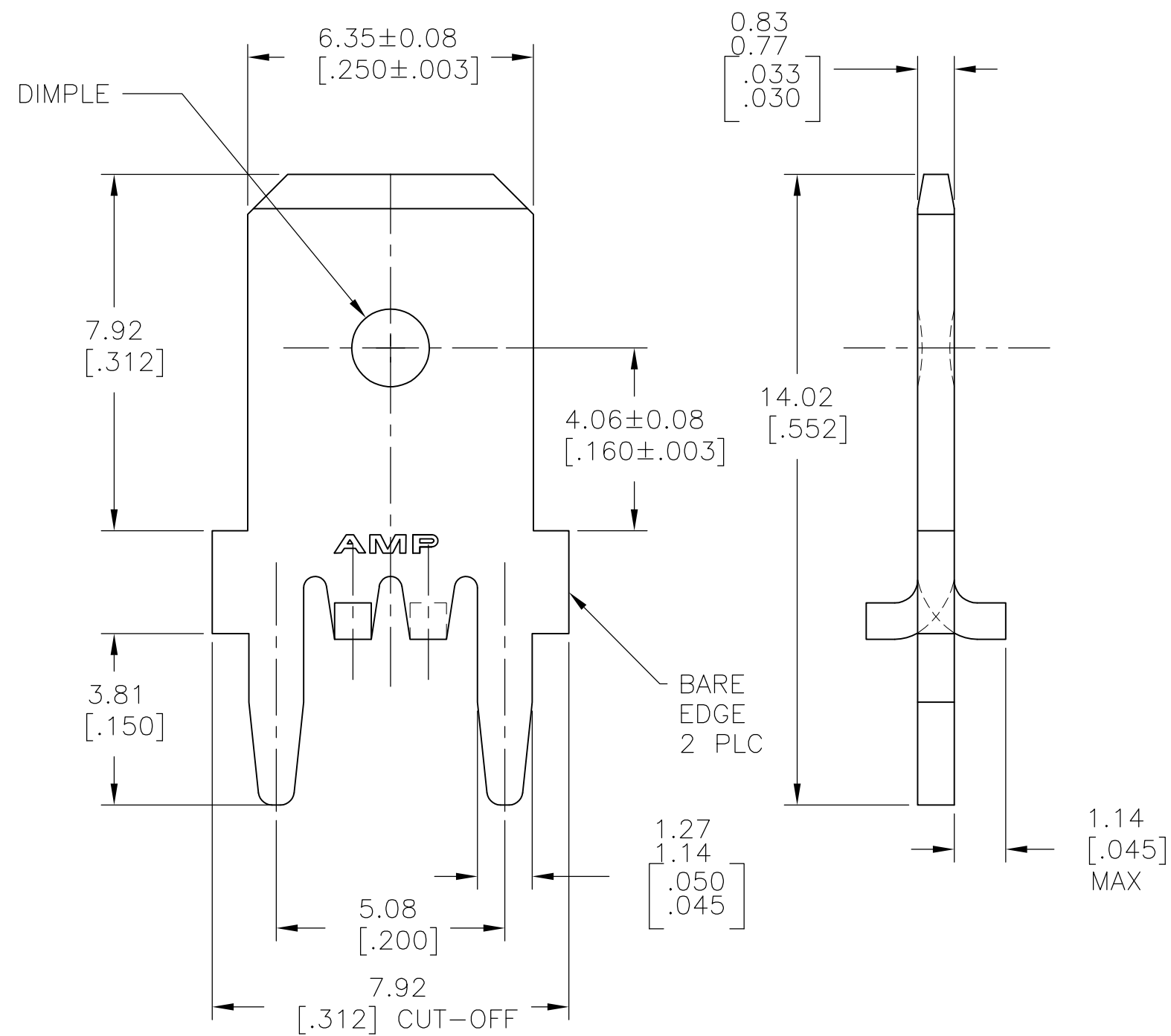
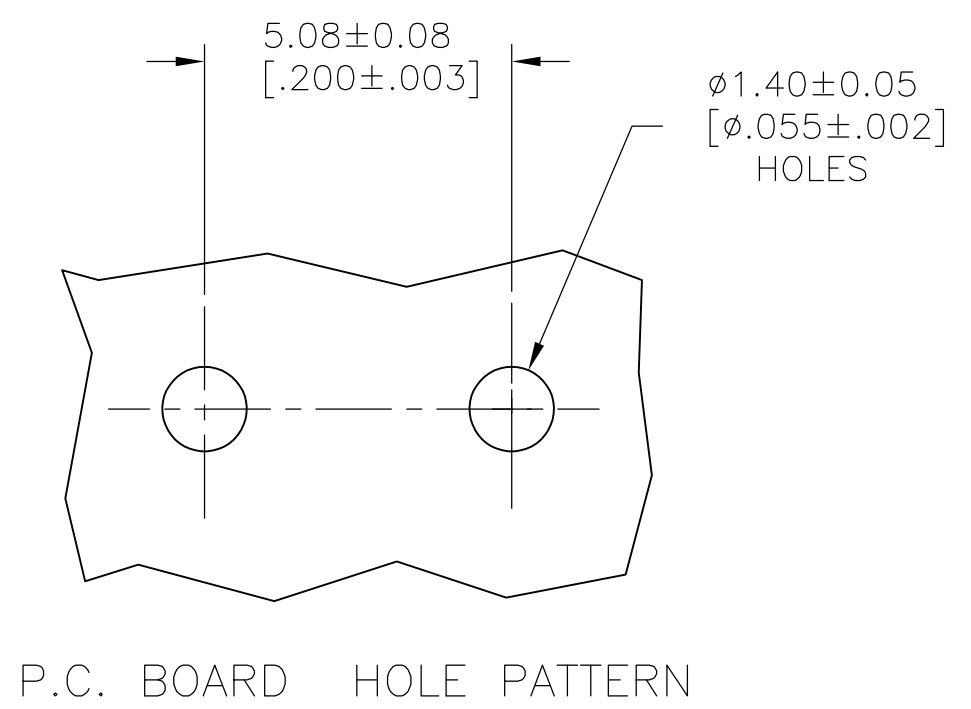


THIS DRAWING IS UNPUBLISHED. RELEASED FOR PUBLICATION  
 © COPYRIGHT - By - ALL RIGHTS RESERVED.

LOC	DIST	REVISIONS			
P	LTR	DESCRIPTION	DATE	DWN	APVD
AF	50	C	REVISED PER ECR-13-001204	03JUL13	KH PD



- 1 SUPPLIED IN LOOSE PIECE AFTER PLATING
- 2 TIN PLATE 0.00381 [.000150] MIN OVER 0.00254 [.000100] MIN THK COPPER.



1742188-1  
PART NO.

THIS DRAWING IS A CONTROLLED DOCUMENT.		DWN JR RUTH 04OCT04	TE Connectivity			
DIMENSIONS: mm [INCHES]		CHK KRISTY YI 04OCT04				
TOLERANCES UNLESS OTHERWISE SPECIFIED:		APVD KRISTY YI 04OCT04	NAME			
0 PLC ± - 1 PLC ± - 2 PLC ± 0.25 [.010] 3 PLC ± - 4 PLC ± - ANGLES ± -		PRODUCT SPEC -	TAB, FASTON, P.C.BOARD			
MATERIAL BRASS		FINISH	6.35 [.250] SERIES			
			LOOSE PIECE			
			SIZE	CAGE CODE	DRAWING NO	RESTRICTED TO
			A3	00779	C-1742188	-
			CUSTOMER DRAWING		SCALE 8:1	SHEET 1 OF 1
					REV C	