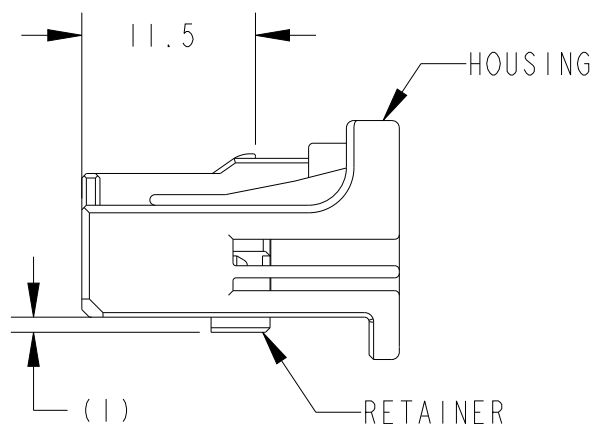
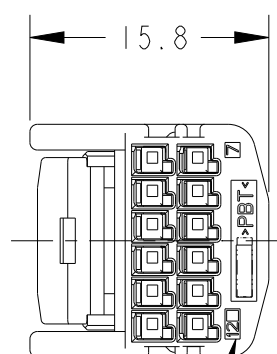
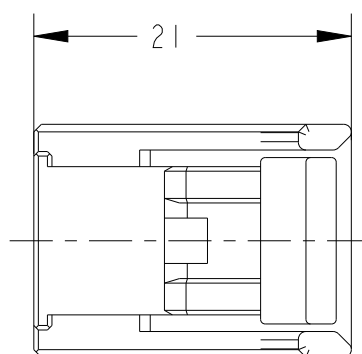
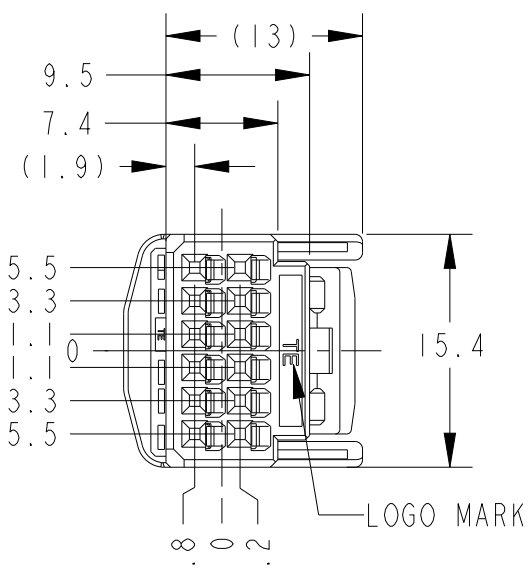
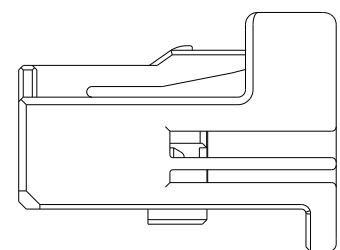
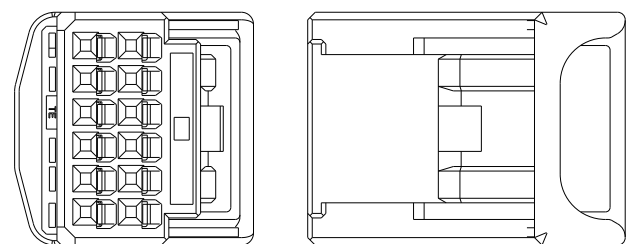


© COPYRIGHT 2004

AS SHOWN: -6, -7, -8



REVISIONS						
P	LTR	DESCRIPTION	ECN	DATE	DWN	APVD
	01	REVISED ADD -2	FJAO-0067-04	27APR04	TS	KB
	02	REVISED ADD -3	ECR-05-006775	14JUL05	AY	HY
	A	REVISED	ECR-09-023330	19NOV09	TS	KB
	A1	REVISED ADD -6, -7, -8	ECR-21-002838	29MAR21	SU	RK

- 1.RETAINER SHOULD BE SENT TO THE PRE-ASSEMBLY.
- 2.INSTRUCTION SHEET NO.411-78080.
- 3.PART NUMBER OF CAP HOUSING TO BE MATED : SEE TABLE-1
- 4.APPLIED TERMINALS : SEE TABLE-2

- 1.プラグハウジングにリテーナを仮係止して出荷される
- 2.取扱説明書NO.411-78080
- 3.嵌合相手型番 : TABLE-1参照
- 4.適用端子 : TABLE-2参照

TABLE - 1

POS 極数		CAP ASSEMBLY PART NO. キャップ 型番
12	W-W	1565894
	W-B	1318772
		6318772
		1473898

TABLE - 2

		TERMINAL NO. 端子型番	APPLICABLE WIRE RANGE 適用電線
SIGNAL 0.64111	TIN	1674311-1	AVSS/CAVS/CAVUS/AVSSH-f 0.3~0.5mm <sup>2</sup>
		1674311-7	
	SELECTIVE GOLD	1674311-2	
		1674311-8	

THIS DRAWING IS A CONTROLLED DOCUMENT.

DIMENSIONS: 単位: 耗 mm	TOLERANCES UNLESS OTHERWISE SPECIFIED: 一般公差 ±0.3 0-PLC ± 1-PLC ±0.1 2-PLC ±0.01 3-PLC ±0.001 4-PLC ±0.0001 ANGLES ±3'00"
MATERIAL 材料 PBT	FINISH 仕上 SEE TABLE

DWN S. AMEMIYA	26JAN04
CHK H. YAMAGAMI	26JAN04
APVD K. ASAI	26JAN04
PRODUCT SPEC 製品規格	108-5931
APPLICATION SPEC 取付適用規格	114-5329
WEIGHT	SEE TABLE
CUSTOMER DRAWING	



NAME 名称				0.64111 12P PLUG HOUSING ASSEMBLY		
SIZE	CAGE CODE	DRAWING NO 番号	RESTRICTED TO			
A3		C-1717106	-			
SCALE 尺度 2:1		SHEET 1 OF 1		REV A1		

PAPER BOX ダンボール	PLASTIC BAG ビニール袋	WEIGHT	COLOR	PART NUMBER
		2.2g	GRAY	1717106-8 (A1)
		2.2g	BLACK	1717106-7 (A1)
		2.2g	NATURAL	1717106-6 (A1)
		2.2g	GRAY	1717106-3
		2.2g	BLACK	1717106-2
		2.2g	NATURAL	1717106-1
PACKING STYLE 梱包形態	INNER 内装			
PACKING STYLE 梱包形態	OUTER 外装			