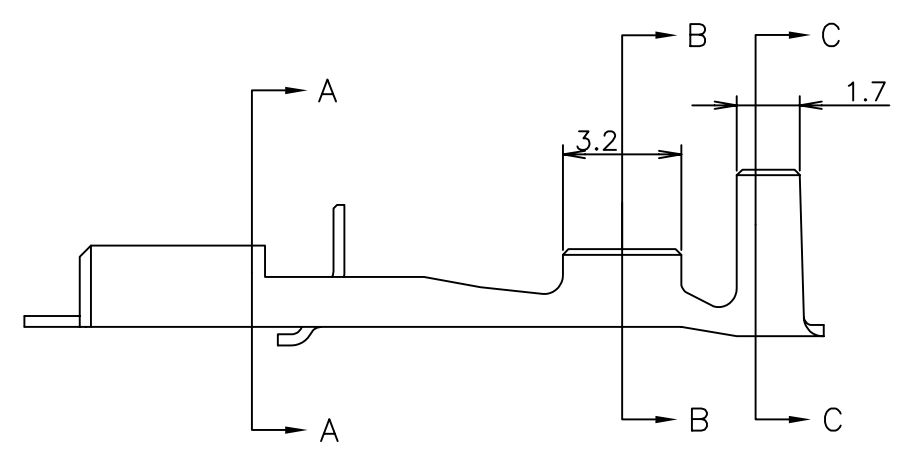
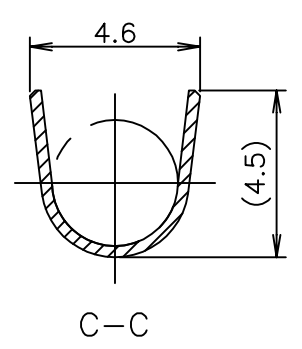
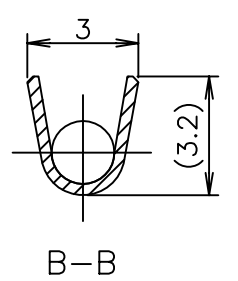
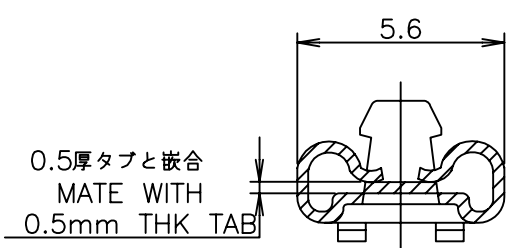
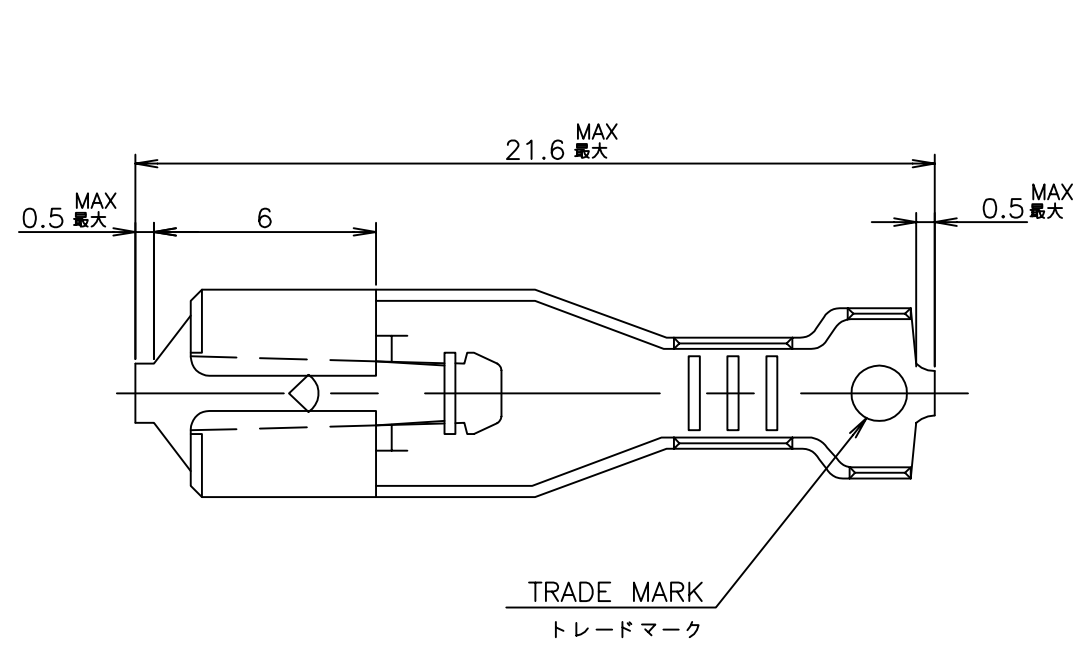


THIS DRAWING IS UNPUBLISHED. RELEASED FOR PUBLICATION AUG, 1998.
 © COPYRIGHT 1998 By Tyco Electronics Japan G.K. ALL RIGHTS RESERVED.

LOC	DIST	REVISIONS 変更			
P	LTR	DESCRIPTION	DATE	DWN	APVD
J	/	REVISED PER ECR-12-011159	27JUN12	B.P	F.M

-*; AS SHOWN



- 1 適用ハウジング型番
172074, 172075
- 1 APPLICABLE HOUSING P/N
172074, 172075
- 2 PARTS 170325-7 & 170331-7 WERE APPLIED
NYE LUBE.

170331-7	170325-1	170325-7
—H—	錫めっき済高耐熱銅合金 0.3t PRE-TIN HIGH HEAT RESISTANCE COPPER ALLOY 0.3t THK	170325-6
—H—	錫めっき済 りん青銅 0.3t PRE-TIN PHOS BRO 0.3t THK	170325-5
OBSOLETE	170331-2	170325-2
	ニッケルめっき仕上 りん青銅 0.3t PHOS BRO 0.3t THK NICKEL PL	
170331-1	錫めっき済黄銅 0.3t PRE-TIN BRASS 0.3t THK	170325-1
ばら状端子型番 LOOSE PIECE P/N	材料 MATERIAL	型番 STRIP FORM P/N
WIRE RANGE 包合電線断面積 AWG#20-#16 0.51~1.38 mm ²	INSULATION DIA 被覆外径 1.9~3.4 mmφ	

THIS DRAWING IS A CONTROLLED DOCUMENT.

DIMENSIONS: 単位: 耗 mm	TOLERANCES UNLESS OTHERWISE SPECIFIED: 一般公差
	0 PLC ±— 1 PLC ±— 2 PLC ±— 3 PLC ±— 4 PLC ±— ANGLES ±—
MATERIAL 材料 SEE TABLE	FINISH 仕上 SEE TABLE

GENERAL TOLERANCE 一般公差
10 ≥ : ±0.2 30 ≥ > 10: ±0.25 100 ≥ > 30: ±0.3 ANGLES: ±3°

DWN M.SUZUKI 04AUG1998	TE Connectivity NAME 187 SERIES POSITIVE LOCK MARK II REC. 187シリーズポジティブロック(マークII)リセプタクル
CHK H.TAGUCHI 04AUG1998	
APVD H.TAGUCHI 04AUG1998	
PRODUCT SPEC 製品規格 108-5126	
APPLICATION SPEC 取付適用規格 114-5041	SIZE A3
WEIGHT	CAGE CODE 00779
CUSTOMER DRAWING	DRAWING NO 番号 C=170325
SCALE 尺度 5:1	SHEET 1 of 1
REV J	RESTRICTED TO