

4

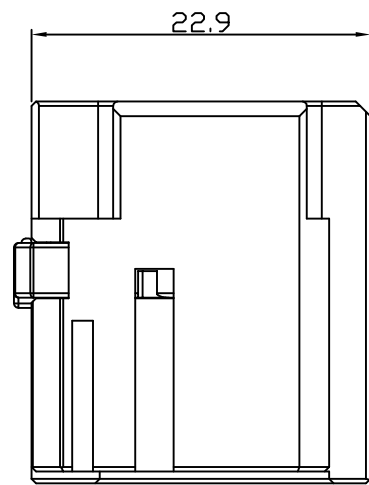
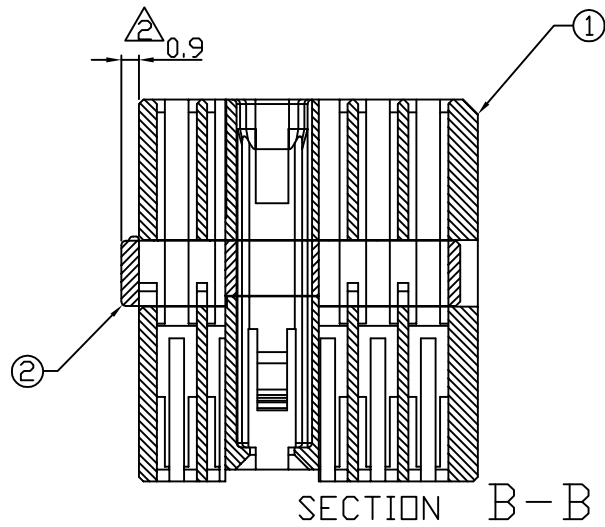
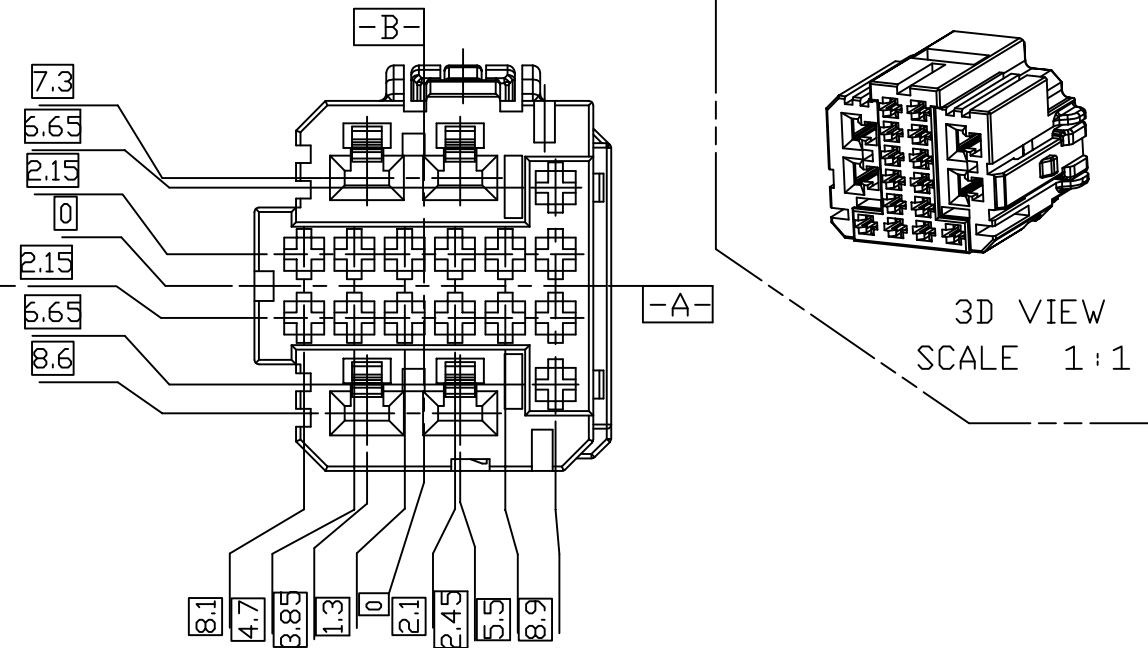
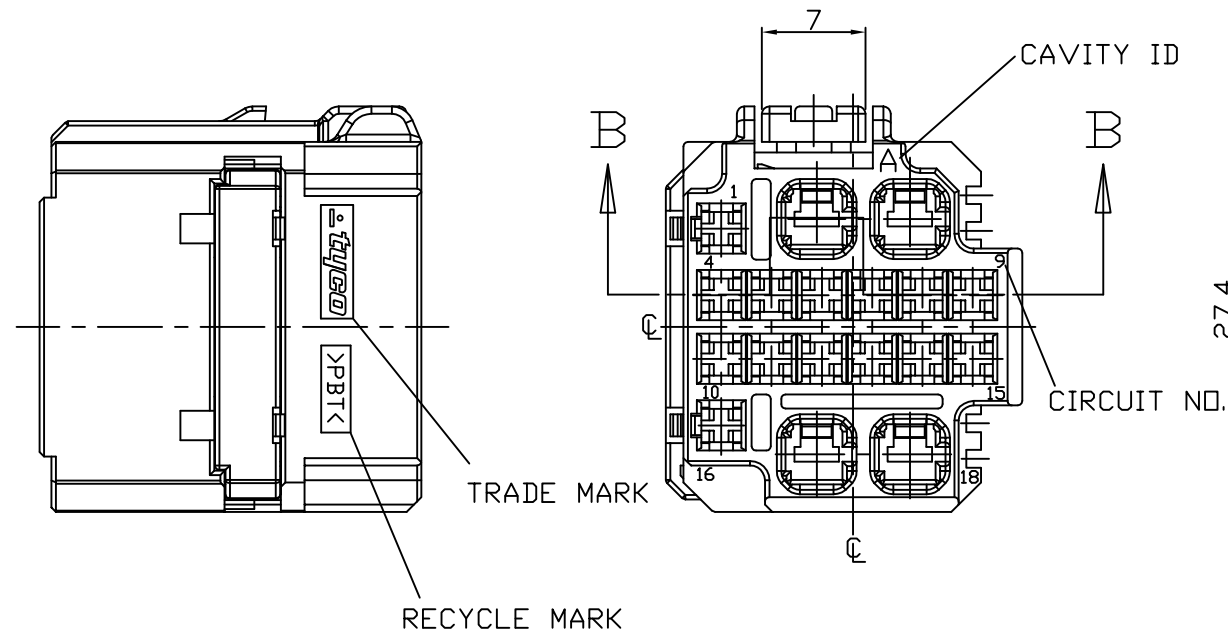
3

2

1

THIS DRAWING IS UNPUBLISHED. RELEASED FOR PUBLICATION
COPYRIGHT BY TYCO ELECTRONICS CORPORATION, ALL RIGHTS RESERVED.

LOC	DIST	REVISIONS					
DS	-	P	LTR	DESCRIPTION	DATE	DWN	APVD
		A1		REVISED (ECR-06-020557)	27.AUG.'06	IS	JK
		B		REVISED (ECR-12-021125)	17.OCT.'12	SJ	JW



SHAPE OF CONVERSION TYPE(TABLE 1.)	
0-1743612-1(NATURAL)	1-1743612-2(BLACK)

<TABLE 2.>

DESCRIPTION	PART No.	WIRE SIZE(mm ²)
MTII 1.5 RECP.	0-964261-2	0.2_0.5mm ²
	0-964263-2	0.5_1.0mm ²
MCP-E 2.8 RECP.	0-1743162-1	0.3_0.85mm ²
	0-1743163-1	1.25_2.0mm ²

NO.	COLOR/FINISH	MATERIAL	DESCRIPTION	P/N	Q'TY	REMARK
2	NATURAL	PBT-GF15	DBL HSG	0-1743613-1	1	1
1	BLACK	PBT	PLUG HSG	1-1743612-2	-	1
	NATURAL	PBT	PLUG HSG	0-1743612-1	1	-

- NOTES
- GENERAL TOLERANCE IS ±0.3
 - CONDITION OF DELIVERY : DBL IN 1 ST LOCKING POSITION
 - APPLIED TAB CONTACT P/N : TABLE 2.
 - APPLICABLE CAP PART No.: X-1743265-X

<small>THIS DRAWING IS A CONTROLLED DOCUMENT FOR TYCO ELECTRONICS CORPORATION IT IS SUBJECT TO CHANGE AND THE CONTROLLING ENGINEERING ORGANIZATION SHOULD BE CONTACTED FOR THE LATEST REVISION.</small>		DWN SJ CHOI CHK JW JUNG APVD HG CHD PRODUCT SPEC - APPLICATION SPEC - WEIGHT - CUSTOMER DRAWING			
DIMENSIONS: MM 	TOLERANCES UNLESS OTHERWISE SPECIFIED: 0 PLC ± 1 PLC ± 2 PLC ± 3 PLC ± 4 PLC ± ANGLES ±	NAME HYB. 2.8/1.5mm 18Pos PLUG ASS'Y SIZE A3 CAGE CODE 00779 DRAWING NO C-1743611		RESTRICTED TO - SCALE 2/1 SHEET 1 OF 1 REV B	
MATERIAL SEE TABLE	FINISH SEE TABLE				