

4

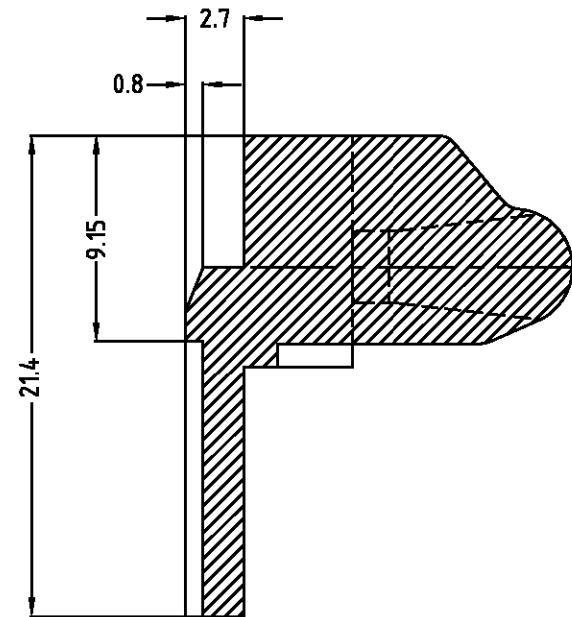
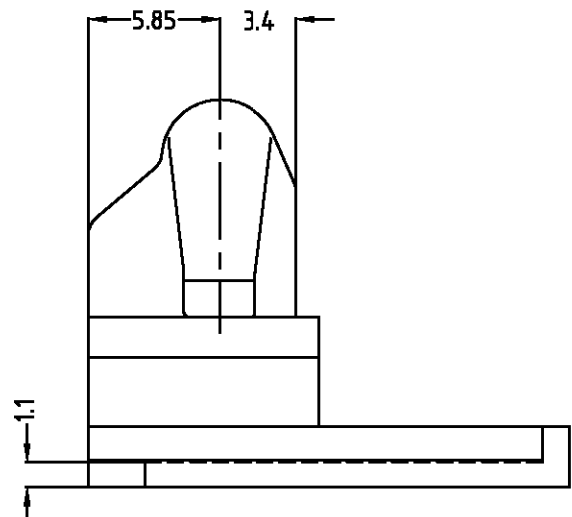
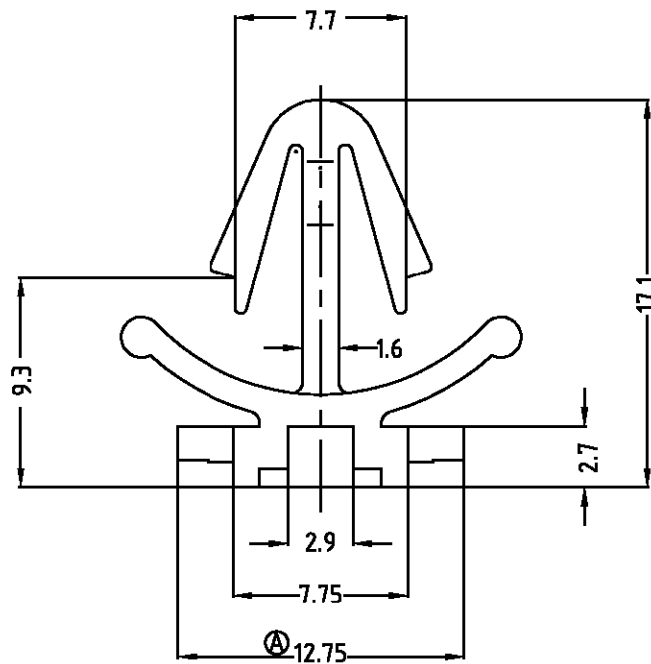
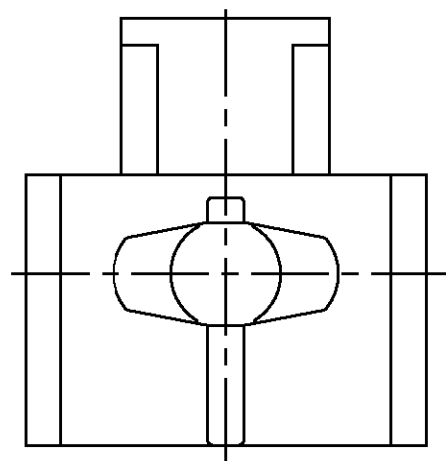
3

2

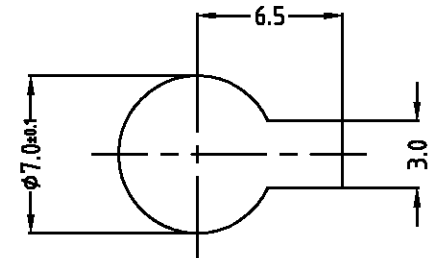
1

THIS DRAWING IS UNPUBLISHED. RELEASED FOR PUBLICATION ,1997 .  
 © COPYRIGHT 1997 BY AMP INCORPORATED. ALL RIGHTS RESERVED.

LOC	DIST	REVISIONS					
		P	LTR	DESCRIPTION	DATE	DWN	APVD
DS		A		REVISED ECN(FC00-0107-02)	10,JUL,02	JW	CS



PANEL HOLE SIZE

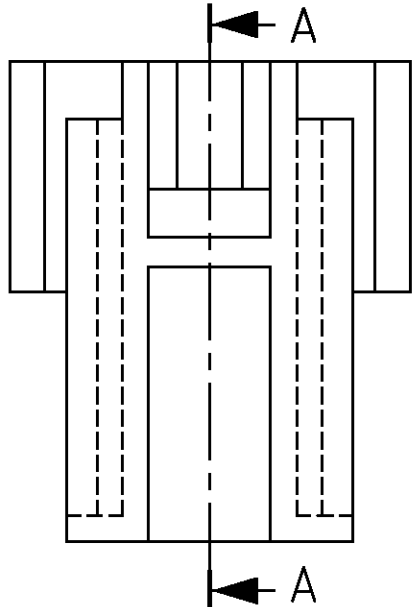


PANEL THICKNESS : 2.5 ~ 3.5mm

A-A

NOTE.

△	MATERIAL : NYLON 66
2.	COLOR
BLACK	368036-1
COLOR	PART NO.



THIS DRAWING IS CONTROLLED DOCUMENT FOR AMP INCORPORATED. IT IS SUBJECT TO CHANGE AND THE CONTROLLING ENGINEERING ORGANIZATION SHOULD BE CONTACTED FOR THE LATEST REVISION.		DWN JW JUNG	AMP KOREA. kyungsan, korea	
DIMENSIONS: mm		CHK BM JANG		
TOLERANCES UNLESS OTHERWISE SPECIFIED: 0 <XX<10 ± 0.2 10<XX<30 ± 0.25 30<XX ± 0.3 ANGLES ± 3°		APVD CS LEE	NAME CLIP HSG FOR .070&EJ Conn.(Ø7 PANEL)	
3rd ANGLE PROJECTION		PRODUCT SPEC ---	SIZE A3	
MATERIAL △ SEE NOTE		APPLICATION SPEC ---	CAGE CODE 00779	DRAWING NO C= 368036
FINISH		WEIGHT ---	SCALE 3:1	SHEET 1 OF 1
				REV A