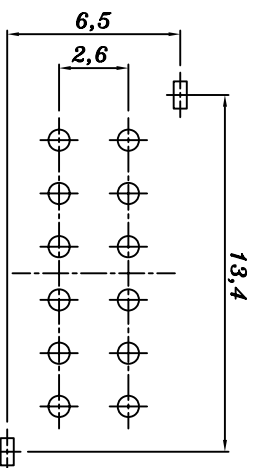
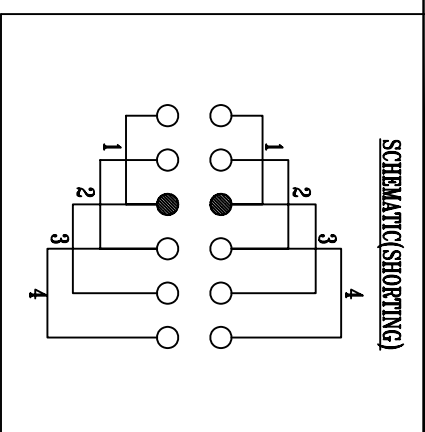


H	2.0	3.0	4.0	5.0	6.0	7.0	8.0	9.0	10.0	11.0
---	-----	-----	-----	-----	-----	-----	-----	-----	------	------



PCB LAYOUT



NO.	PART	NAME	MATERIAL	QTY	FINISHING
6	SPRING PLATE	PHOSPHOR BRONZE		1	
5	CONTACT CLIP	PHOSPHOR BRONZE		2	
4	TERMINAL	BRASS	Ag-PLATED	12	
3	BASE	PHENOLIC RESIN		1	
2	KNOB	POM	BLACK	1	
1	FRAME	STEEL	Ni-PLATED	1	

TOLERANCE UNLESS SPECIFIED		NO		DATE		REVISIONS	
UP TO 5mm: ±0.1	ANGULAR ±1°	1					
ABOVE 5mm: ±0.2							
TITLE: SIDE KNOB SWITCH		UNIT : MM	ROHS COMPLIANT	DWN	BY	APPD	
MODEL: SK-24D02		SCALE: 1:1		CHK'D			
HAOYU(HONGKONG)LIMITED		PRO.AGL:		APPD			
皓宇(香港)有限公司							
							REV : A



HAOYU(HONGKONG)LIMITED
皓宇(香港)有限公司