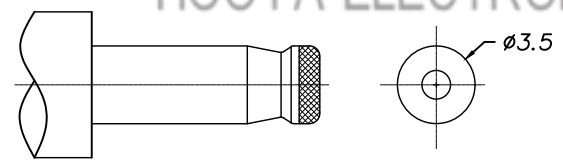
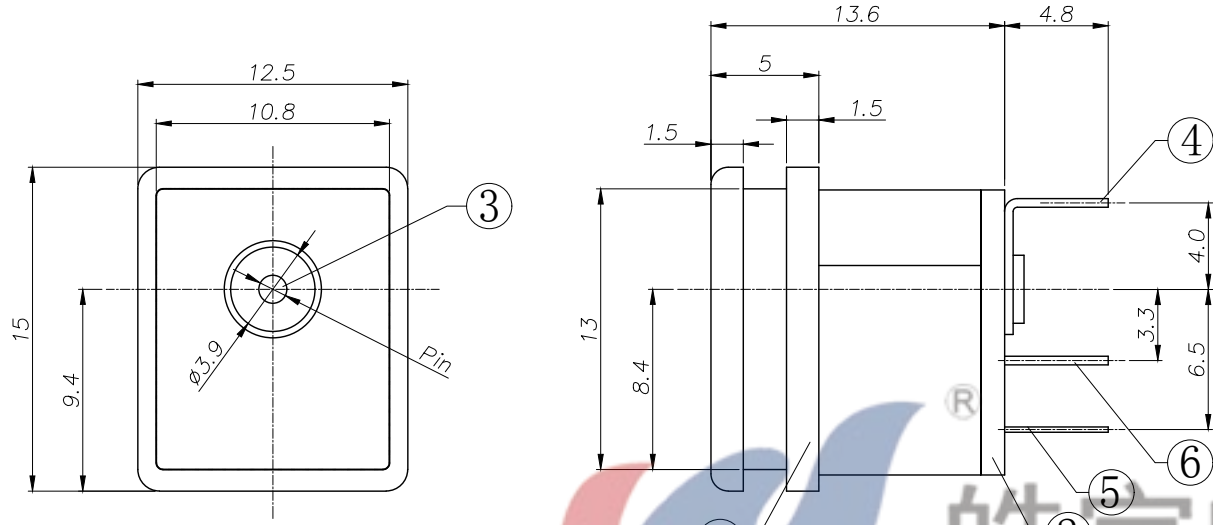
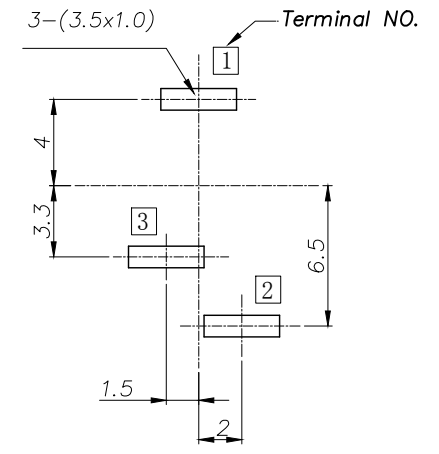




□ : TERMINAL NO.



DC MATE PLUG



P. C. B Layout  
(Copper-sided view)

					TOLERANCE UNLESS SPECIFIED						
					UP TO 5mm: ±0.1	ANGULAR					
					ABOVE 5mm: ±0.2	±1°	NO	DATE	REVISIONS	BY	APPD
6	SHUNT TERMINAL	□3	BRASS	1	AG-PLATED	TITLE: DC JACK UNIT : MM ROHS DWN MODEL: DC-015C SCALE: 1:1 COMPLIANT CHK'D					
5	TIP SPRING	□2	STEEL	1	AG-PLATED						
4	CENTER PIN TERMINAL	□1	BRASS	1	AG-PLATED	HAOYU(HONGKONG)LIMITED 皓宇(香港)有限公司					
3	CENTER PIN	□1	BRASS	1	NI-PLATED						
2	COVER		PF	1		APPD PRO.AGL:   REV :A0					
1	HOUSING		PBT	1							
NO.	PART NAME		MATERIAL	QTY	FINISHING						