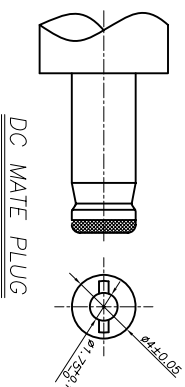
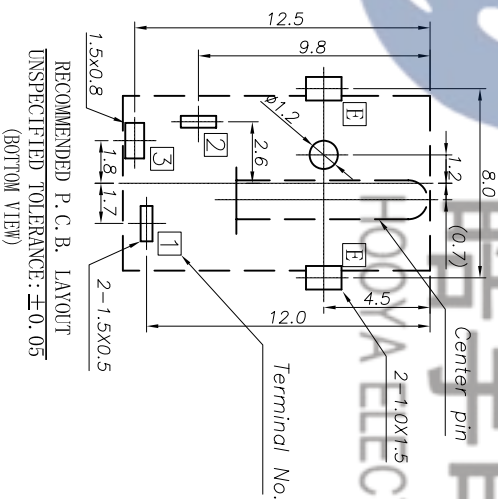
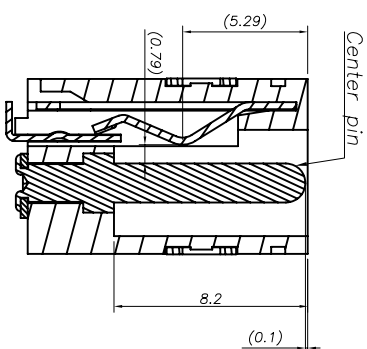
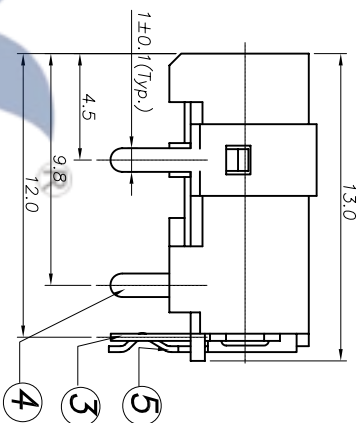
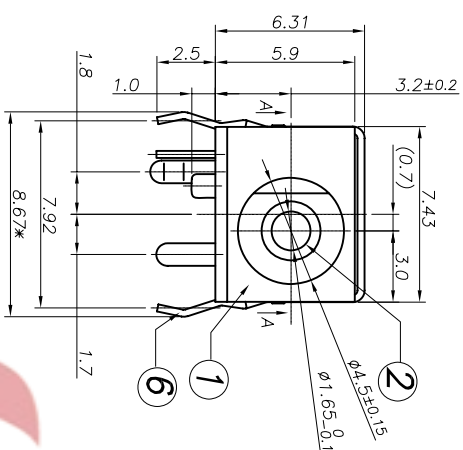


Model No.	DC-030	DC-030-2
Schematic		
Circuit Diagram		

Legend: Terminal No.



NO.	PART	NAME	MATERIAL	QTY	FINISHING														
6		Earth terminal	Brass 10.3	1	Ag-Plating														
5		Shunt terminal	Brass 10.25	1	Ag-Plating														
4		Tip spring	Phosphor bronze 10.3	1	Ag-Plating														
3		Center pin terminal	Brass 10.3	1	Ag-Plating														
2		Center pin	Copper alloy	1	Ni-Plating														
1		Housing	PBT/PA46	1															
<p style="text-align: center;">TOLERANCE UNLESS SPECIFIED</p> <table border="1"> <tr> <td>UP TO 5mm: ±0.1</td> <td>ANGULAR</td> <td>NO</td> <td>DATE</td> <td>REVISIONS</td> <td>BY</td> <td>APPD</td> </tr> <tr> <td>ABOVE 5mm: ±0.2</td> <td>±1°</td> <td></td> <td></td> <td></td> <td></td> <td></td> </tr> </table> <p>TITLE: DC JACK MODEL: DC-030 UNIT: MM SCALE: 2:1 ROHS COMPLIANT</p> <p style="text-align: center;">HAOYU(HONG KONG)LIMITED 皓宇(香港)有限公司</p> <p>PRO. AGI: </p>						UP TO 5mm: ±0.1	ANGULAR	NO	DATE	REVISIONS	BY	APPD	ABOVE 5mm: ±0.2	±1°					
UP TO 5mm: ±0.1	ANGULAR	NO	DATE	REVISIONS	BY	APPD													
ABOVE 5mm: ±0.2	±1°																		