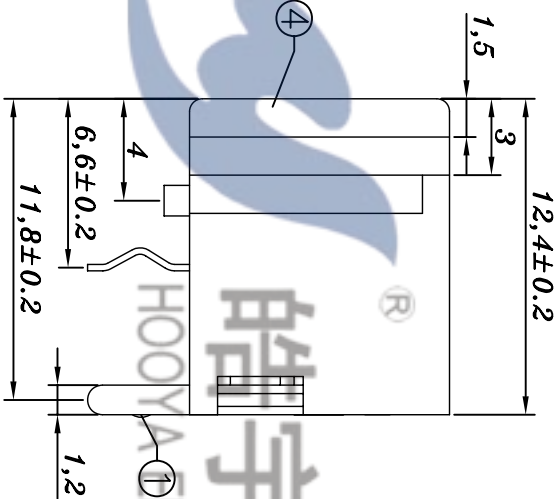
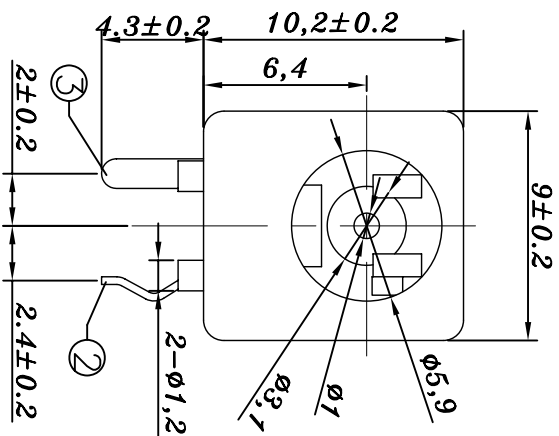
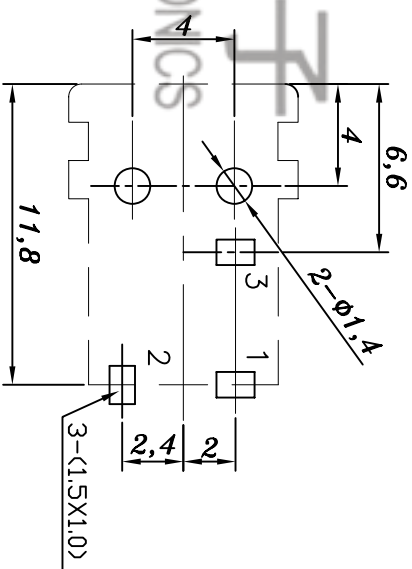


SCHEMATIC



PCB LAYOUT
TOP VIEW



NO.	PART	NAME	MATERIAL	QTY	FINISHING	TOLERANCE UNLESS SPECIFIED				更新图框				
4	HOUSING	PBT	PHOSPHOR BRONZE	1	Ag-PLATED	UP TO 5mm: ±0.1	ANGULAR	1	2016.4.23	UNIT : MM	ROHS COMPLIANT	DWN	BY	APPD
3	SPRING	PHOSPHOR BRONZE	PHOSPHOR BRONZE	1	Ag-PLATED	ABOVE 5mm: ±0.2	±1°	NO	DATE	SCALE: 1:1	REVISIONS	CHK'D		
2	CURVE PIECE	BRASS	PHOSPHOR BRONZE	1	Ag-PLATED	TITLE: DC JACK				HAOYU(HONGKONG)LIMITED				
1	PIN	PHOSPHOR BRONZE	PHOSPHOR BRONZE	1	Ag-PLATED	MODEL: DC-029(XRJ01)				皓宇(香港)有限公司				
						HAOYU(HONGKONG)LIMITED				皓宇(香港)有限公司				
						SCALE: 1:1				PRO.AGL:				
						UNIT : MM				REV : A1				
						ROHS COMPLIANT								
						DATE								
						NO								
						ANGULAR								
						±1°								
						UP TO 5mm: ±0.1								
						ABOVE 5mm: ±0.2								