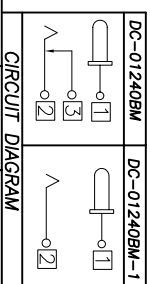
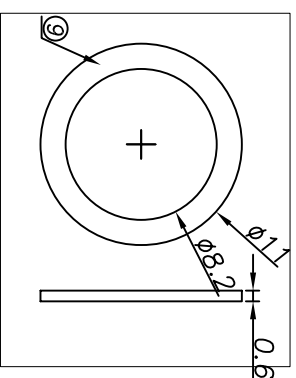
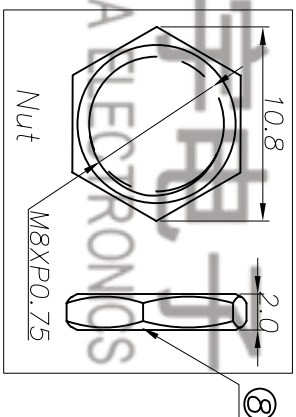
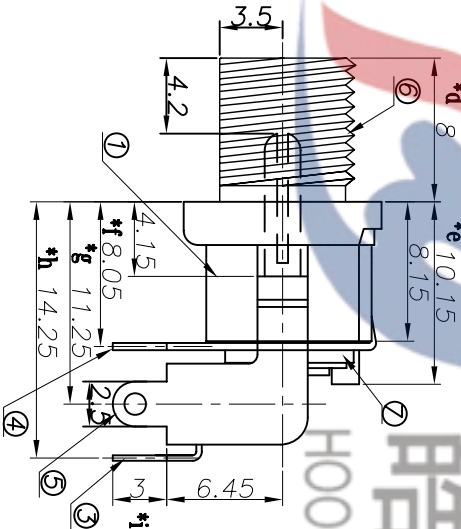
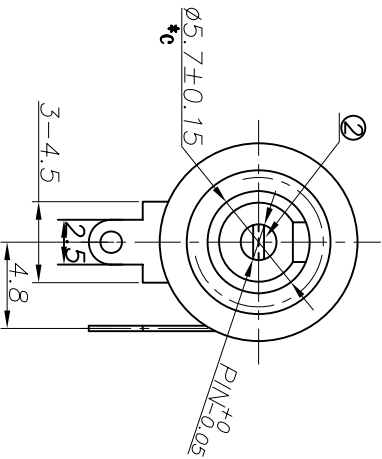


RECOMMENDED P. C. B. LAYOUT
UNSPECIFIED TOLERANCE: ±0.05
(OPPER-SIDED VIEW)



Center Pin	$\phi 2.0$	$\phi 2.5$
------------	------------	------------

9	WASHER-2	BRASS	1	Ni-PLATED
8	NUT	BRASS	1	Ni-PLATED
7	WASHER	BAKELITE	2	RED
6	BUSHING	BRASS	1	Ni-PLATED
5	SHUNT TERMINAL	PBS	1	Ag-PLATED
4	TIP SPRING	PBS	1	Ag-PLATED
3	CENTER PIN TERMINAL	BRASS	1	Ag-PLATED
2	CENTER PIN	BRASS	1	Ni-PLATED
1	HOUSING	PBT	1	
NO.	PART NAME	MATERIAL	QTY	FINISHING

TOLERANCE		UNLESS SPECIFIED	
UP TO 5mm: ±0.1	ANGULAR	±1°	
ABOVE 5mm: ±0.2	NO	DATE	REVISIONS
TITLE: DC JACK		UNIT: MM	ROHS COMPLIANT
MODEL: DC-01240BM		SCALE: 1:1	CHK'D
			APPD
			BY
			APPD

HAOYU(HONGKONG)LIMITED
皓宇(香港)有限公司

PRO.AGI. REV :A0