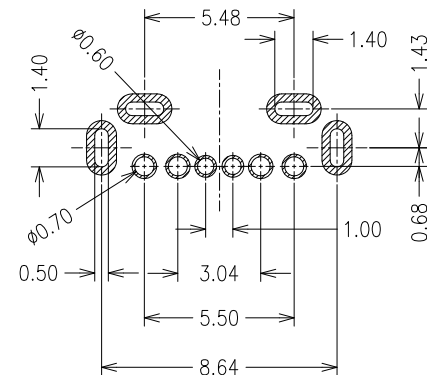
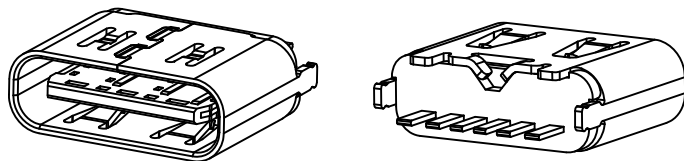
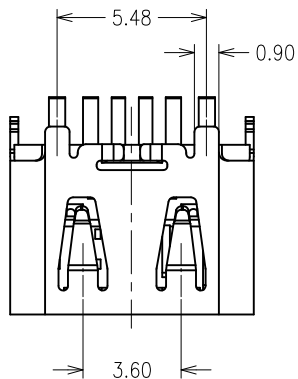
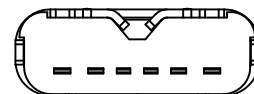
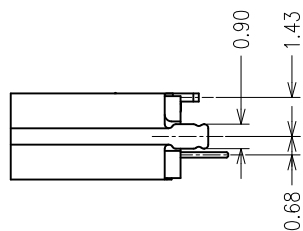
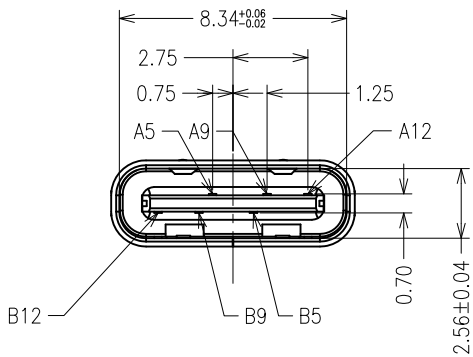


RoHS

MAPX	MODIFICATION	DRW	DATE

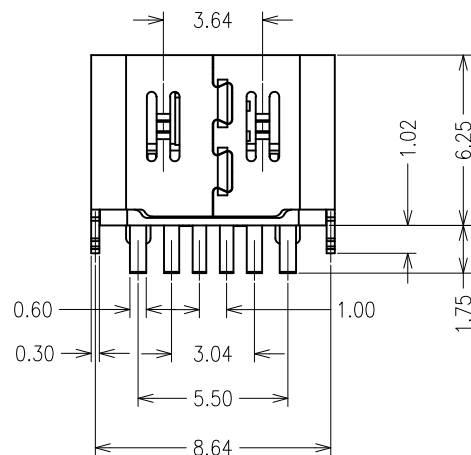


RECOMMENDED P.C.B. LAYOUT
TOLERANCE UNSPECIFIED ±0.05mm



SPECIFICATION

- ELECTRICAL CHARACTERISTICS:
 - VOLTAGE&CURRENT RATING:DC 30V MAX&3A
 - CONTACT RESISTANCE: 40mΩ MAX INITIAL.
 - INSULATION RESISTANCE: 1000MΩ MIN FOR VOLTAGE 100VDC.
 - DIELECTRIC WITHSTAND: 100V AC for 1 MINUTE
 - OPERATING TEMPERATURE: -25°C~+85°C
- MECHANICAL CHARACTERISTICS:
 - INSERT FORCE: 5-20N Max
 - WITHDRAW FORCE: 5-20N Min
 - LIFE TEST :3,000 CYCLES



产品图 PRODUCT CHART DWG				深圳市精拓金电子有限公司 Shenzhen Jing Tuo Jin Electronics Co., Ltd.										
公差一览表 TOLERANCE UNLESS OTHERWISE				单位 UNITS	MM	制图 DRAWING	xr&g	制图料号 PRODUCT PART NO.	918-418K2022Y40007					
A5	CC1	B12	GND	X.	±0.25	X.	±5.°	比例 SCALE	1:1	审核 CHKD	郭志富	产品名称 PRODUCT NO.	TYPE C3.1母座直立式四脚不锈钢 6.25/8.64有弹 6PIN	
A9	VBUS	B9	VBUS	.XX	±0.15	.XX	±1.°	日期 DATE	2016-09-09	核准 APPD	黄国荣	角法 VIEW	版本 VER	A0
A12	GND	B5	CC2	.XXX	±0.10	.XXX	±0.5°							
PIN	SIGNAL NAME	PIN	SIGNAL NAME											

由 Autodesk 教育版产品制作

由 Autodesk 教育版产品制作