

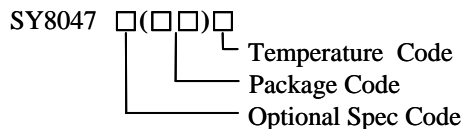
## Ultra Low Quiescent Current 1.25MHz, 4A Synchronous Step Down Regulator

### General Description

SY8047 is a high efficiency ultra low quiescent current, 1.25MHz synchronous step-down DC-DC regulator IC capable of delivering up to 4A output current.

SY8047 operates over a wide input voltage range from 2.5V to 5.5V and integrates main switch and synchronous switch with very low  $R_{DS(ON)}$  to minimize the conduction loss.

### Ordering Information



Ordering Number	Package Type	Note
SY8047QDC	QFN3x3-16	4A

### Features

- Input voltage range: 2.5V to 5.5V
- 1.25MHz switching frequency
- Max output current: 4.0A
- Peak current mode control for the fast transient speed
- 100% drop out function
- Typical 18uA quiescent current
- Low  $R_{DS(ON)}$  for internal switches (PFET/NFET): 75mΩ/55mΩ
- Hic-cup mode protection for hard short condition
- RoHS Compliant and Halogen Free
- Compact package: QFN3x3-16

### Applications

- Set Top Box
- Net PC
- Mini-Notebook PC
- Access Point Router

### Typical Applications

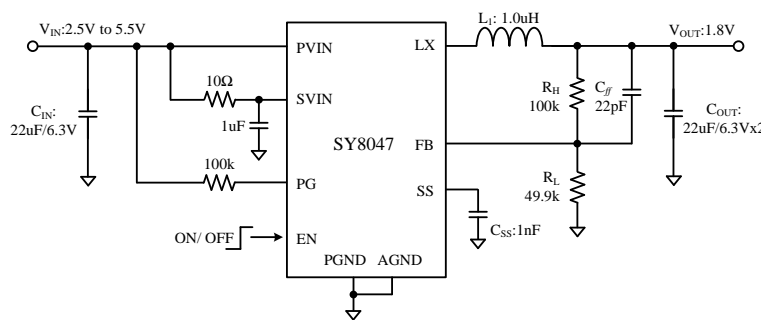


Figure 1. Schematic Diagram

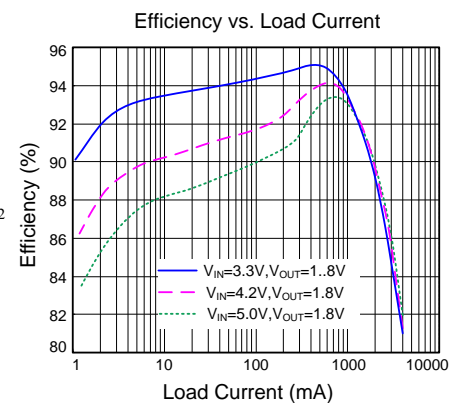
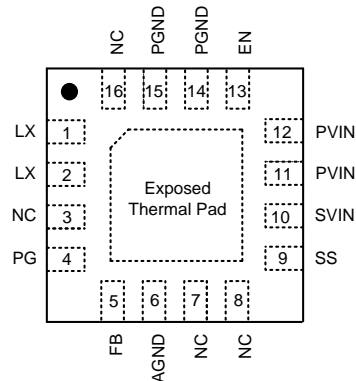


Figure 2. Efficiency Figure

**Pinout** (top view)


Part Number	Package type	Top Mark <sup>Ⓞ</sup>
SY8047QDC	QFN3x3-16	<b>VJxyz</b>

Note ①: x=year code, y=week code, z=lot number code.

Pin Name	Pin Number	Pin Description
LX	1, 2	Inductor pin. Connect this pin to the switching node of inductor
NC	3, 7, 8, 16	No connection
PG	4	Power good indicator(Open drain output). Low if the output < 90% of regulation voltage; High otherwise. Connect a pull-up resistor to the input.
FB	5	Output feedback pin. Connect this pin to the center point of the output resistor divider (as shown in Figure 1) to program the output voltage: $V_{OUT}=0.6V*(1+R_H/R_L)$ .
AGND	6	Analog ground pin.
SS	9	Soft-start programming pin. Do not float this pin. Connect a capacitor from this pin to ground to program the soft-start time. $t_{SS}=\text{Max}(60\mu\text{s}, C_{SS}\times 0.6V/1.6\mu\text{A})$ .
SVIN	10	Supply voltage for control circuit. Decouple this pin to ground with at least 1uF ceramic cap.
PVIN	11, 12	Supply voltage for power circuit. Decouple this pin to ground with at least 22uF ceramic cap.
EN	13	Enable input pin. Integrated 4MΩ pull down resistor.
PGND	14, 15	Power ground pin.

**Absolute Maximum Ratings** (Note 1)

All pins	-----	6V
Power Dissipation, P <sub>D</sub> @ T <sub>A</sub> = 25 °C, QFN3x3	-----	2.6W
Package Thermal Resistance (Note 2)		
θ <sub>JA</sub>	-----	38 °C/W
θ <sub>JC</sub>	-----	8 °C/W
Junction Temperature Range	-----	150 °C
Lead Temperature (Soldering, 10 sec.)	-----	260 °C
Storage Temperature Range	-----	-65 °C to 150 °C

**Recommended Operating Conditions** (Note 3)

Supply Input Voltage	-----	2.5V to 5.5V
Junction Temperature Range	-----	-40 °C to 125 °C
Ambient Temperature Range	-----	-40 °C to 85 °C

## Electrical Characteristics

(V<sub>IN</sub> = 5V, V<sub>OUT</sub> = 2.5V, L = 1.0uH, C<sub>OUT</sub> = 22uFx2, T<sub>A</sub> = 25 °C, unless otherwise specified)

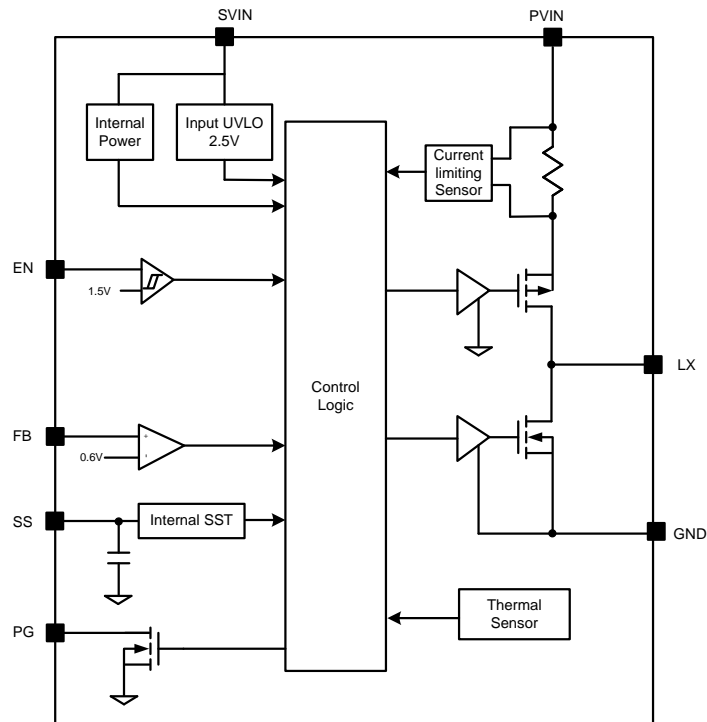
Parameter	Symbol	Test Conditions	Min	Typ	Max	Unit
Input Voltage Range	V <sub>IN</sub>		2.5		5.5	V
Quiescent Current	I <sub>Q</sub>	I <sub>OUT</sub> =0, V <sub>FB</sub> =V <sub>REF</sub> · 105%		18		μA
Shutdown Current	I <sub>SHDN</sub>	EN=0		0.1	1	μA
Feedback Reference Voltage	V <sub>REF</sub>		0.591	0.6	0.609	V
PFET RON	R <sub>DSON,P</sub>			75		mΩ
NFET RON	R <sub>DSON,N</sub>			55		mΩ
Peak Current Limit	I <sub>LIM</sub>		5			A
EN rising threshold	V <sub>ENH</sub>		1.5			V
EN falling threshold	V <sub>ENL</sub>				0.4	V
Input UVLO threshold	V <sub>UVLO</sub>				2.5	V
UVLO hysteresis	V <sub>HYS</sub>			0.15		V
Oscillator Frequency	F <sub>OSC</sub>	I <sub>OUT</sub> =500mA		1.25		MHz
PGOOD Under-voltage Threshold	V <sub>FB,LV</sub>			0.55		V
Short Circuit Protection Threshold	V <sub>SCP</sub>			0.26		V
Min ON Time				80		ns
Soft Start Current	I <sub>SS</sub>	$T_{SS} = \frac{0.6V \times C_{SS}}{I_{SS}}$		1.6		μA
Soft Start time	T <sub>SS</sub>	C <sub>SS</sub> =1nF		400		μs
Output Discharge Switch On Resistance	R <sub>DSC</sub>			50		Ω
Thermal Shutdown Temperature	T <sub>SD</sub>			150		°C
Thermal Shutdown Hysteresis	T <sub>HYS</sub>			15		°C

**Note 1:** Stresses beyond the “Absolute Maximum Ratings” may cause permanent damage to the device. These are stress ratings only. Functional operation of the device at these or any other conditions beyond those indicated in the operational sections of the specification is not implied. Exposure to absolute maximum rating conditions for extended periods may affect device reliability.

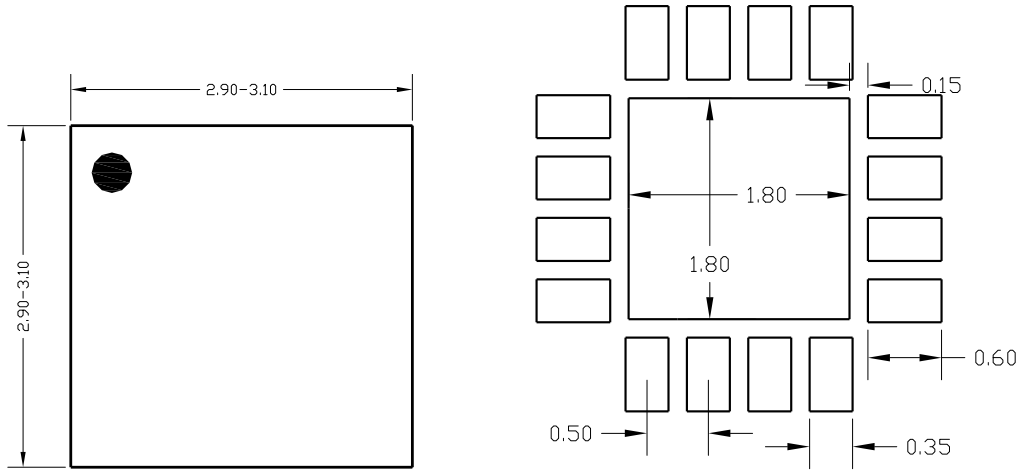
**Note 2:** θ<sub>JA</sub> is measured in the natural convection at T<sub>A</sub> = 25 °C on a low effective single layer thermal conductivity test board of JEDEC 51-3 thermal measurement standard.

**Note 3:** The device is not guaranteed to function outside its operating conditions.

**Block Diagram**

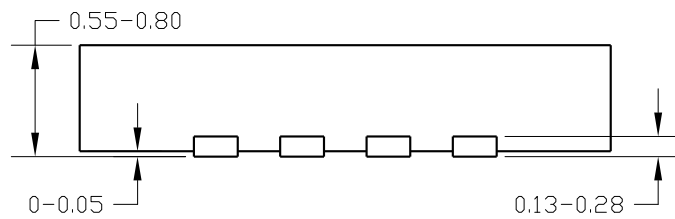


## QFN3x3-16 Package outline & PCB Layout

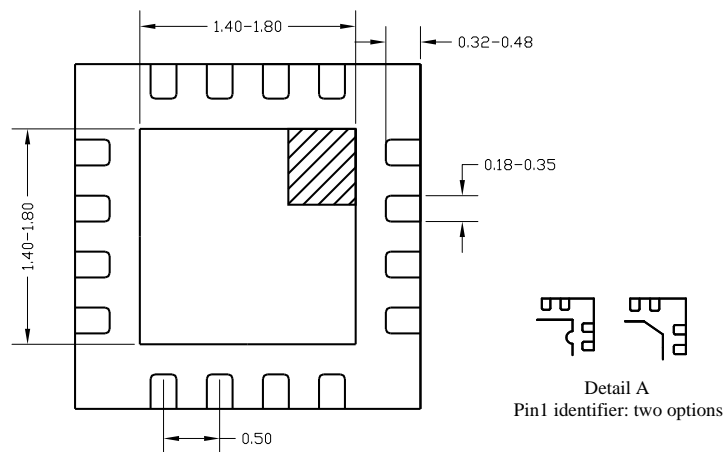


**Top View**

**PC B layout (Recommended)**



**Side View**

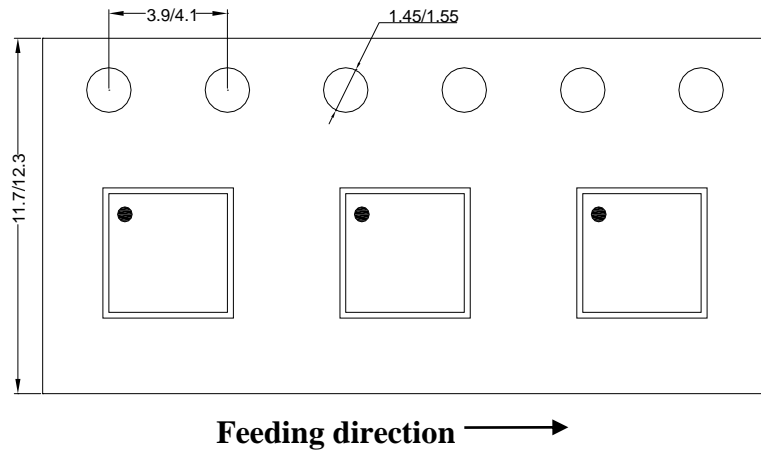


**Bottom View**

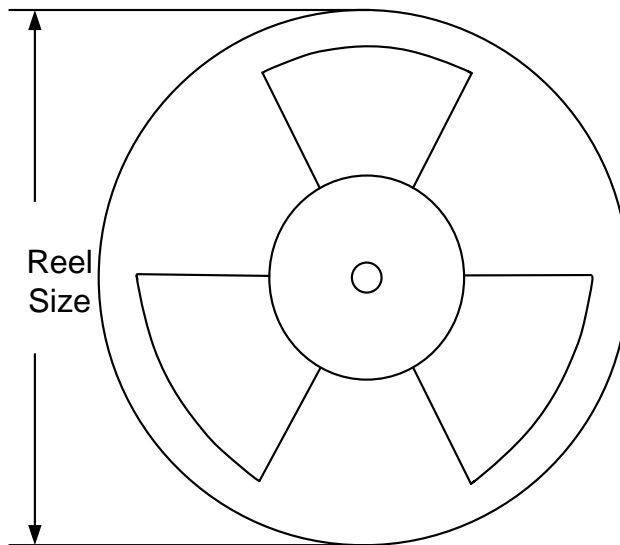
**Notes: All dimension in millimeter and exclude mold flash & metal burr.**

**Taping & Reel Specification**

**1. QFN3x3-16 taping orientation**



**2. Carrier Tape & Reel specification for packages**



Package types	Tape width (mm)	Pocket pitch(mm)	Reel size (Inch)	Trailer length(mm)	Leader length (mm)	Qty per reel
QFN3x3	12	8	13"	400	400	5000

**3. Others: NA**