

RECIPIENT

## SPECIFICATIONS

**Product No. : Q22FA23V0001900**

**MODEL : FA-238V**

**SPEC. No. : A18-068-4B**

**DATE : May. 10. 2018**

### SEIKO EPSON CORPORATION

8548 Naka-minowa  
Minowa-machi Kamiina-gun  
Nagano-ken  
399-4696 Japan

CHECKED K. Yamanaka / TD Engineering Department Manager  
Kunihito Yamanaka

CHECKED M. Shirotori / TD Production Engineering Department Senior Staff  
Masashi Shirotori

CHECKED Y. Kurahashi / TD • CS Quality Assurance Department Manager  
Yoshitaka Kurahashi

PREPARED Emi Oguchi / TD • CS Quality Assurance Department Senior Staff  
Emi Oguchi

# SPECIFICATIONS

## 1. Application

- 1) This document is applicable to the crystal unit that are delivered to DELTA ELECTRONICS, INC from Seiko Epson Corp.
- 2) This product complies with RoHS Directive.
- 3) This Product supplied (and any technical information furnished, if any) by Seiko Epson Corporation shall not be used for the development and manufacture of weapon of mass destruction or for other military purposes.  
Making available such products and technology to any third party who may use such products or technologies for the said purposes are also prohibited.
- 4) This product listed here is designed as components or parts for electronics equipment in general consumer use.  
We do not expect that any of these products would be incorporated or otherwise used as a component or part for the equipment, which requires an systems, and medical equipment, the functional purpose of which is to keep extra high reliability, such as satellite, rocket and other space life.

## 2. Product No. / Model

The product No. of this crystal unit is Q22FA23V0001900.  
The model is FA-238V.

## 3. Packing

It is subject to the packing standard of Seiko Epson Corp.

## 4. Warranty

Defective parts which originate with us are replaced free of charge in the case of defects being found with 12 months after delivery.

## 5. Amendment and/or termination

Amendment and/or termination of this specification is subject to the agreement between the two parties.

## 6. Contents

Item No.	Item	Page
[ 1 ]	Absolute maximum ratings	2
[ 2 ]	Operating range	2
[ 3 ]	Static characteristics	2
[ 4 ]	Environmental and mechanical characteristics	3
[ 5 ]	Dimensions and circuit	4
[ 6 ]	Recommended soldering pattern and marking layout	5
[ 7 ]	Notes	6

[ 1 ] Absolute maximum ratings

No.	Item	Symbol	Rating value			Unit	Note
			Min.	Typ.	Max.		
1	Storage temperature range	T_stg	- 40	-	+125	°C	Depends on the Environmental characteristics specifications.

[ 2 ] Operating range

No.	Item	Symbol	Rating value			Unit	Note
			Min.	Typ.	Max.		
1	Operating temperature range	T_use	- 20	-	+70	°C	
2	Level of drive	DL	1	100	200	μW	

[ 3 ] Static characteristics

No.	Item	Symbol	Value	Unit	Conditions
1	Nominal Frequency	fo	12	MHz	Fundamental
2	Frequency tolerance	f_tol	±50	× 10 <sup>-6</sup>	CL = 10 pF Ta = +25 ±3 °C DL : 100 μW Not include aging
3	Motional resistance	R1	100 Max.	Ω	π circuit IEC 60444-2 Ta = Operating temperature range DL : 100 μW
4	Shunt capacitance	C0	5.0 Max.	pF	π circuit and N.A.
5	Frequency temperature characteristics	f_tem	±30	× 10 <sup>-6</sup>	Ta = Operating temperature range (Ref. at Ta = +25 °C ±3 °C) DL : 100 μW
6	Isolation resistance	IR	500 Min.	MΩ	DC 100 V± 15, 60 seconds between each terminals
7	Frequency Aging	f_age	±5	× 10 <sup>-6</sup> /year	Ta = +25 °C ±3 °C

[ 4 ] Environmental and mechanical characteristics

(The company evaluation condition : We evaluate it by the following examination item and examination condition.)

No.	Item	Value * 1 * 2		Test Conditions
			$\Delta f / f [1 \times 10^{-6}]$	
1	Shock	* 3	$\pm 10$	100 g dummy Jig (Seiko Epson Standard) drop from 1 500 mm height on the Concrete 3 directions 10 times
2	Vibration	* 3	$\pm 5$	10 Hz to 55 Hz amplitude 0.75 mm 55 Hz to 500 Hz acceleration 98 m/s <sup>2</sup> 10 Hz → 500 Hz → 10 Hz 15 min./cycle 6 h (2 hours , 3 directions)
3	High temperature storage	* 3	$\pm 5$	+85 °C × 1 000 h
4	Low temperature storage	* 3	$\pm 5$	- 40 °C × 1 000 h
5	Temperature cycle	* 3	$\pm 5$	- 40 °C ↔ + 85 °C 30 minutes at each temp. 100 cycle
6	Temperature humidity storage	* 3	$\pm 10$	+85 °C × 85 %RH × 1 000 h
7	Resistance to soldering heat		$\pm 5$	For convention reflow soldering furnace (3 times)
8	Substrate bending	No peeling-off at a soldered part		Bend width reaches 3.0 mm and hold for 5 s ± 1 s × 1 time Ref. IEC 60068-2-21
9	Shear	No peeling-off at a soldered part		10 N press for 10 s ± 1 s Ref. IEC 60068-2-21
10	Pull – off	No peeling-off at a soldered part		10 N press for 10 s ± 1 s Ref. IEC 60068-2-21
11	Solderability	Terminals must be 95 % covered with fresh solder.		Dip termination into solder bath at +235 °C ± 5 °C for 5 s (Using Rosin Flux)

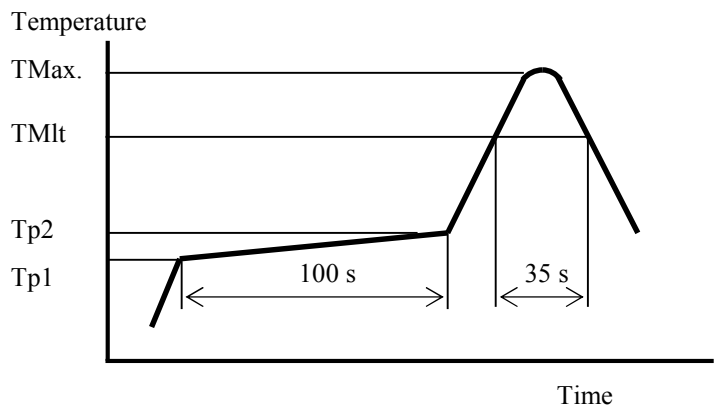
< Notes >

- \* 1 Each test done independently.
- \* 2 Measuring 2 h to 24 h later leaving in room temperature after each test.
- \* 3 Item No.1 to No.6 shall be tested after following pre conditioning.  
Measuring 24 h later leaving in room temperature after Pre conditioning.  
Pre conditioning : Reflow 3 times.
- Item No.1 to No.7, Shift motional resistance at after above tests should be less than 20 % or less than 10 Ω.

◆ Reflow

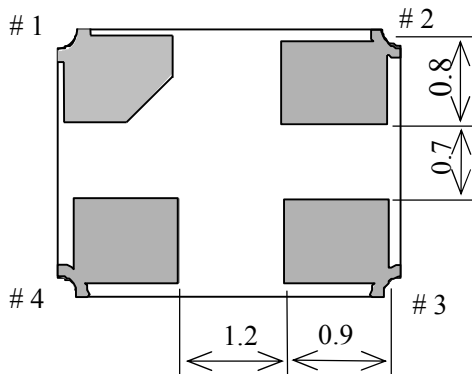
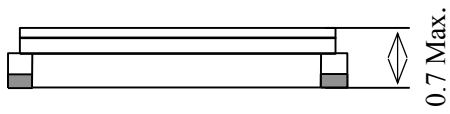
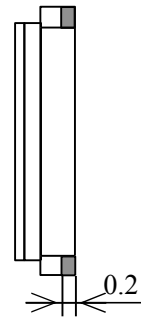
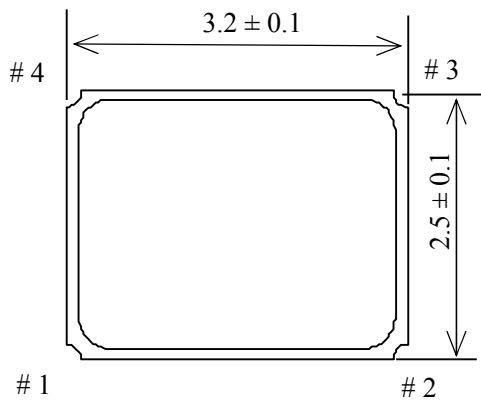
Pre Heating Temperature  
Tp1 ~ Tp2 = + 170 °C  
Heating Temperature  
TMlt = + 220 °C  
Peek Temperature  
TMax. = + 260 °C

Point of measuring  
In case of Solderability  
Terminal.  
In case of Resistance to soldering heat  
Surface.



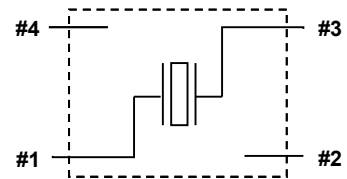
[ 5 ] Dimensions and Circuit

1) Dimension (Unit : mm)



Internal connection

TOP VIEW

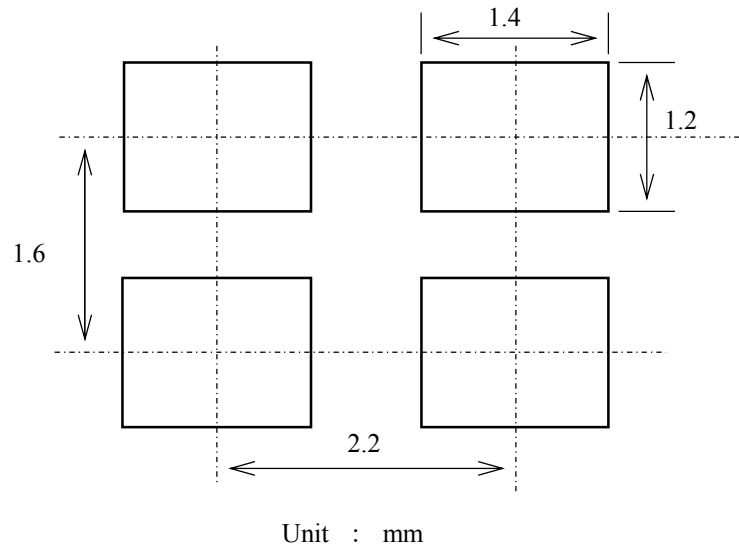


Terminal #2, #4 are connected to the LID  
(Please connect GND)

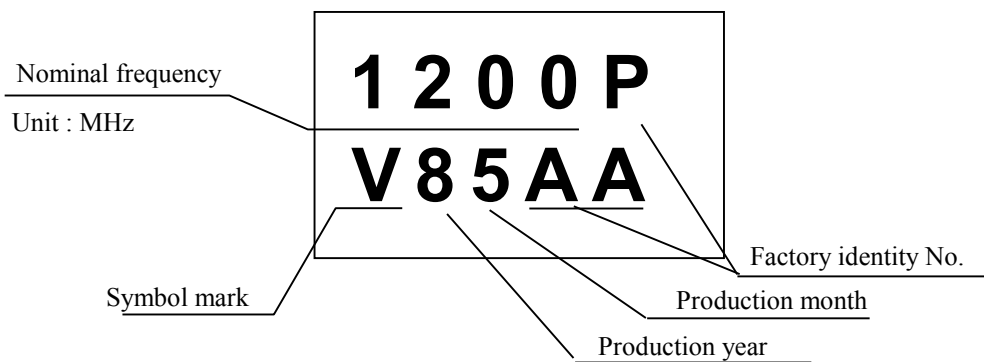
Terminal Plating : Au plating

[ 6 ] Recommended soldering pattern and Marking layout

1) Recommended soldering pattern



2) Marking layout



Production month

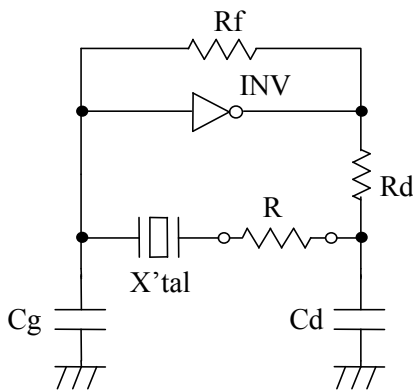
January	February	.....	October	November	December
1	2	.....	X	Y	Z

- Nominal frequency is only one example.
- Nominal frequency omits the figure below the second place of decimals.  
ex) 12 MHz ..... [1200]
- The above marking layout shows only marking contents and their approximate position and it is not for font, size and exact position.

[ 7 ] Notes

1. Max. three(3) times re-flow is allowed. Its recommended to manually solder when not enough/no solder detected.( Using soldering iron at +350 °C Max × within 5 seconds)
2. Patterning on a board should follow our company recommended pattern.
3. Too much exciting shock or vibration may cause deterioration on damage.  
The product may damage depends on the condition such as a shock in assembly machinery.  
Please check your process condition in advance to minimize and maintain the shock level.
4. It is recommended to do patterning to the oscillator as short as possible. Abnormal oscillation may happened if the line is too long.
5. Condensation may occur when products are used/stored under remarkable temperature change.
6. This product may be affected to ultrasonic cleaning. It is depends on the cleaning conditions (Cleaning machine type/power/time/content/position etc.). The warranty will not cover any damage due to this type of usage. Check conditions prior to use.
7. When the substrate of oscillation become dewy, the crystal frequency is changed or stopped. Please use under without the dewfall.
8. Applying excessive excitation Drive Level to the crystal Unit may cause deterioration damage.
9. Few data or readings taken at user side may be different from our company's data. Confirmation of the different value is necessary before application.
10. To avoid malfunction, no pattern across or near the crystal is allowed.
11. Start up time of oscillation may be increased or no oscillation may occur unless adequate negative resistance is allocated in the oscillation circuit In order to avoid this, please provide enough negative resistance to the circuit design.

How to check the negative resistance



- (1) Connect the resistor(R) to the circuit in series with the crystal Unit.
- (2) Adjust R so that oscillation can start (or stop).
- (3) Measure R when oscillation just start (or stop) in above (2).
- (4) Get the negative resistance  
 $-R=R+CI$  value.
- (5) Recommended -R  
 $[-R] > CI \times 5$

12. Please refer to packing specification for the storage method and packing standard.

# TAPING SPECIFICATION

## テープ梱包基準書

### 1. APPLICATION 適用範囲

**This document is applicable to FA-238 / FA-238V**

本基準書は、FA-238 / FA-238V のテーピング梱包について規定する。

### 2. CONTENTS 目次

Item No.	Item	Page
[ 1 ]	<b>Taping specification</b> テーピング仕様	2 to 3
[ 2 ]	<b>Shipping carton</b> 外装箱への収納	4
[ 3 ]	<b>Marking</b> 表示	
[ 4 ]	<b>Quantity</b> 収納数量	
[ 5 ]	<b>Storage environment</b> 保管環境	5
[ 6 ]	<b>Handling</b> リール取扱い	



[ 1 ] Taping specification テーピング仕様

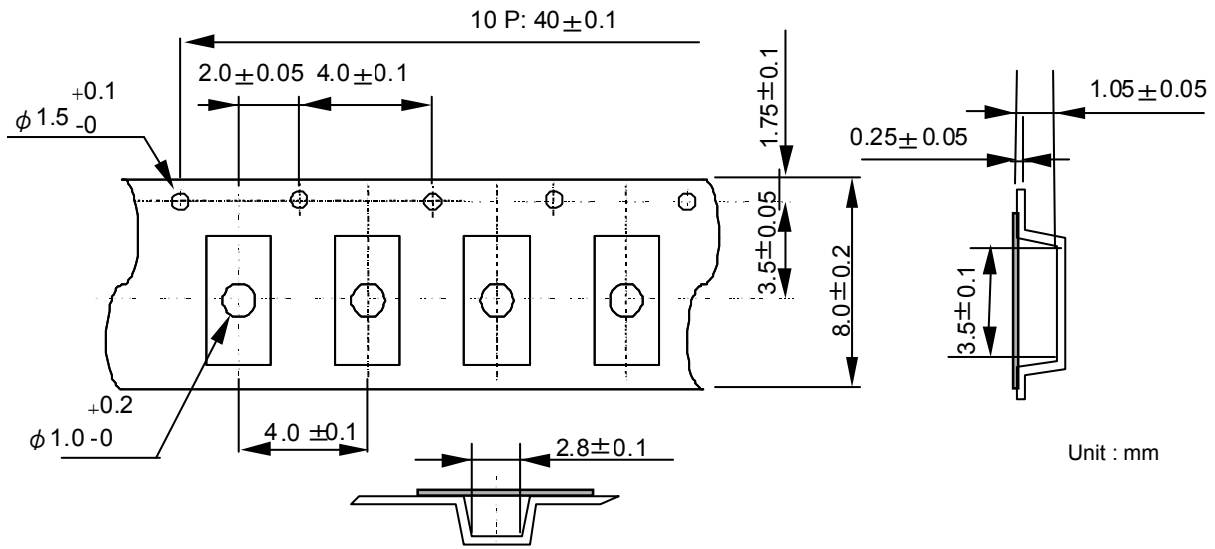
Subject to EIA-481 , IEC 60286 , JIS C0806..

「EIA-481」「IEC 60286」「JIS C0806」に準拠する。

(1) Tape dimensions TE0804L

Material of the Carrier Tape キャリアテープ材質: PS

Material of the Top Tape トップテープ材質 : PET+PE



Unit : mm

\* Inner curve of each corner 0.25 mm Max.

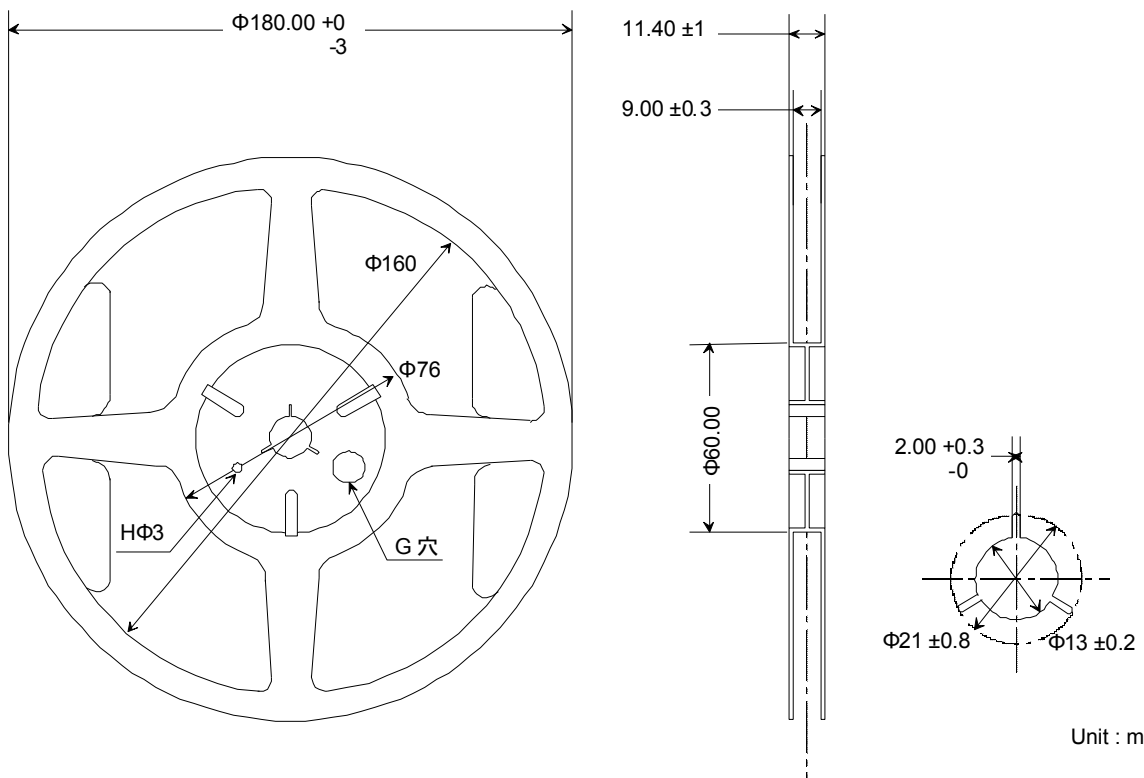
\*各コーナーの内Rは0.25 Max.

\*各コーナーの抜きテーパーは3°Max.

(2) Reel dimensions

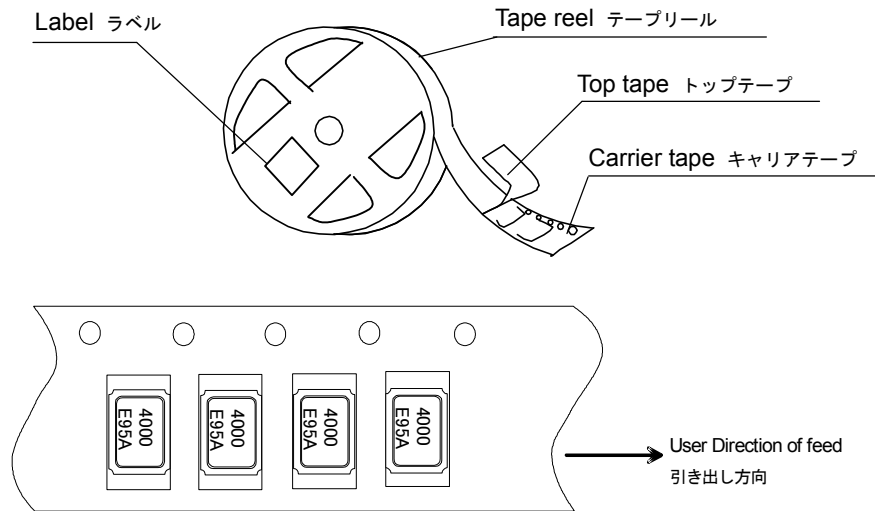
(a) Center material 中心材質 : PS

(b) Material of the Reel リール材質: PS

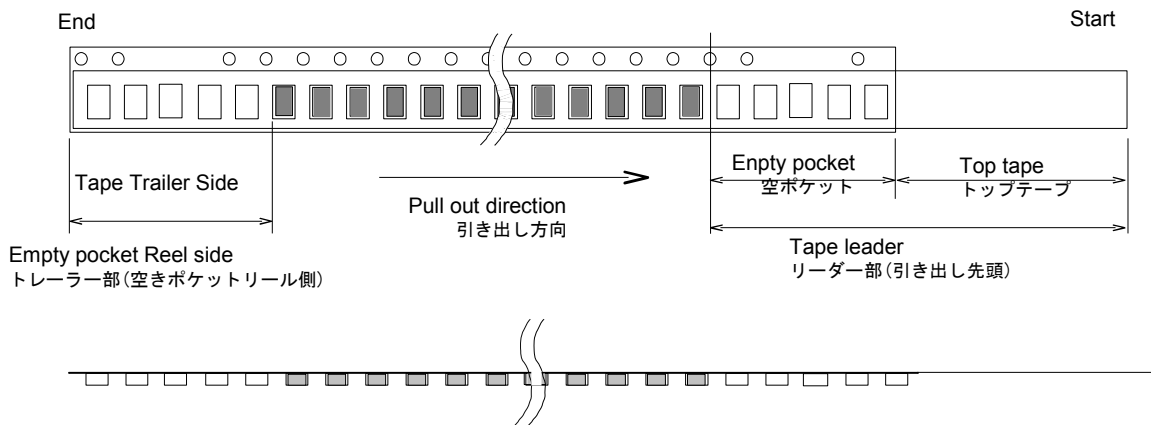


Unit : mm

(3) Packing 収納形態  
 (a) Tape & Reel デバイス収納方法



(b) Start & End Point 引き出し先頭側及びリール側の処理



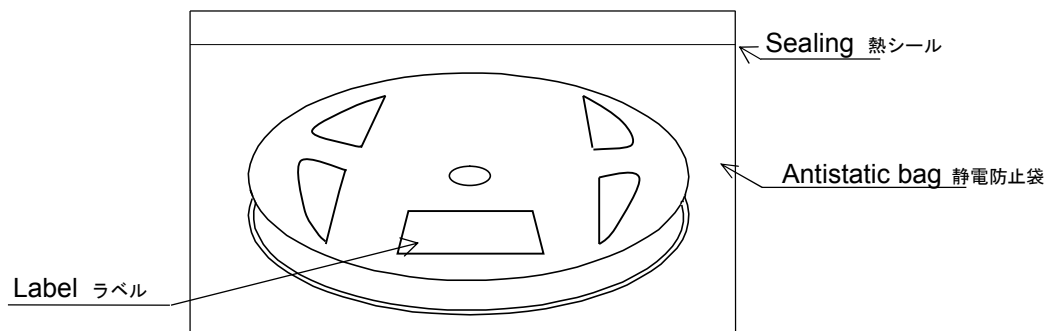
Item 項目		Empty Space 空きスペース	Note 備考
Tape Leader (引き出し先頭側)	Top Tape	Min. 1 000 mm	Feeding in the Top tape, the tip is fixed with tape. トップテープ単独で繰り出し、先端はテープにより固定。
	Carrier Tape	Min. 100 mm	Winding method is a diagram of the above リールへの巻き取り方法は、上図の通り。
Tape Trailer (リール側)	Top Tape	Min. 0 mm	Tip is fixed to the reel. 先端はリールに固定。
	Carrier Tape	Min. 160 mm	

(4) Peel force of the cover tape トップテープの剥離強度

- (a) angle : cover tape during peel off and the direction of unreeling shall be 165° to 180°.  
 剥離角度 : テープの接着面に対し 165~180 度とする。
- (b) peel speed : 300 mm/min  
 剥離速度 : 300 mm/min とする。
- (c) peel strength : 0.1~1.0 N  
 剥離強度 : 0.1~1.0 N

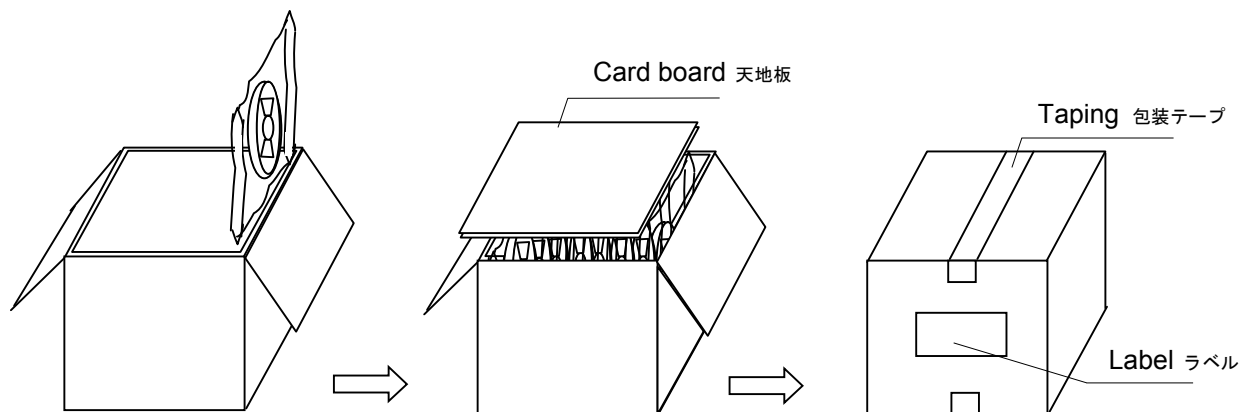
## [ 2 ] Shipping carton 外装箱への収納

## a) Packing to antistatic bag 袋への収納



## b) Packing to shipping carton 外装箱への収納

If there is space in the outer box, material is put in a shock absorbing together.  
空間ができた時は、クッション材を入れる。



## [ 3 ] Marking 表示

## (1) Reel marking リールへの表示

## ● Reel marking shall consist of

下記内容をリール表面に表示できるラベルを貼る。:

- 1) Parts name 製品名称
- 2) Quantity 製品数量
- 3) Manufacturing Date or symbol 製品の製造年月又はこれを示す記号
- 4) Manufacturer's Date or symbol 製品の製造業者又はその略号
- 5) Others (if necessary) その他必要事項

## (2) Shipping carton marking 外装箱への表示

## ● Shipping carton marking shall consist of :

下記内容を外装箱表面に表示できるラベルを貼る。:

- 1) Parts name 製品名称
- 2) Quantity 製品数量

## [ 4 ] Quantity 収納数量

- 3 000 pcs./reel (Standard)

However it is not the limit, in case that the order quantity does not fill with 3 000 pieces.

Packing quantity is defined by 14th and 15th digit of product number.

但し、注文数量が3 000 pcs に満たない場合は、その限りではない。

収納数量は、製品型番の 14 桁、15 桁による。

14th and 15th digit of product number. 製品型番の 14 桁、15 桁	Quantity
00	3 000 pcs
01	Vinyl Bag(Bulk)
11	Any Quantity
12	250 pcs
13	500 pcs
14	1 000 pcs
15	2 000 pcs
17	4 000 pcs

## [ 5 ] Storage environment 保管環境

- (1) To storage the reel at +15 °C to +35 °C , 25 %RH to 85 %RH of Humidity.

常温常湿：温度 +15 °C ~+35 °C、湿度 25% ~85 %RH 以下での保管して下さい。

- (2) To open the packing just before using.

使用直前までは、開梱しないで下さい。

- (3) Not to storage with some erosive chemicals.

化学薬品類との同居を避ける。

- (4) Nothing is allowed to put on the reel or carton to prevent mechanical damage

外装箱がゆがまないようまた、外圧がかからないように保管して下さい。

## [ 6 ] Handling リール取扱い

To handle with care to prevent the damage of tape, reel and products.

リールの取扱いについては、中のテープ・製品を変形させないようにして下さい。

# - PROCESS QUALITY CONTROL -

No. A-0303-02-AAE-7

## SMD TYPE AT STRIP CRYSTAL FA-238V

FA238V\_Q\_0001

2014.05.08

Manufacturing process chart	No.	Section	Standards	Inspection, Control Items	Inspection Methods	Instrument	Record
<div style="text-align: center;">CRYSTAL BLOCK</div> <p style="margin-left: 20px;">Ceramic Base</p> <p style="margin-left: 20px;">Lid</p>	1	Inspection Section	Purchasing Specification Incoming Inspection Standard	Dimension Outer Appearance Inner Appearance	Sampling " "	Length Gauge Visual Inspection Visual Inspection	In-Coming Inspection Data Sheet
	1'	Inspection Section	"	Dimension Outer Appearance	Sampling "	Comparator Microscope	"
	2	Production Section	Manufacturing Instruction Sheet	Cut Angle Wafer Thickness	Sampling "	X-ray Radio Graphic Comparator	Process Data Sheet
	3	Production Section	"	Frequency Wafer Thickness	Sampling "	Blank Oscillator Comparator	"
	4	Production Section	"	Dimension	Sampling	Comparator	"
	5	Production Section	"	Frequency Outer Appearance	Sampling "	Blank Oscillator Microscope	"
	6	Production Section	"	Frequency Outer Appearance	Sampling "	Blank Oscillator Microscope	"
	7	Production Section	"	Outer Appearance	Sampling	Microscope	"
	8	Production Section	"	Frequency	Sampling	Frequency Counter	"
	9	Production Section	"	Outer Appearance	Sampling	Microscope	"
	10	Production Section	"	Package Leak	100% Inspection	Leak Tester	"
	11	Production Section	"	Outer Appearance	Sampling	Microscope	"
	12	Production Section	"	Crystal Impedance Frequency Insulation Resistance Temp. Characteristic	100% Inspection " " Sampling	Inspection M/C " " "	"
	13	Inspection Section	Out-going Inspection Standard	Crystal Impedance Frequency Insulation Resistance Outer Appearance	Sampling " " "	Inspection M/C " " Microscope	Out-going Inspection Data Sheet
	14	Production Section	Manufacturing Instruction Sheet	Tape-Peel Strength	Sampling	Peeling Force Tester	Process Data Sheet
15	Production Control Section	Manufacturing Instruction Sheet Packing Instruction Sheet	Destination Quantity	-	-	Delivery Slip	

# Structure Diagram 構造図

Rev.4

Model

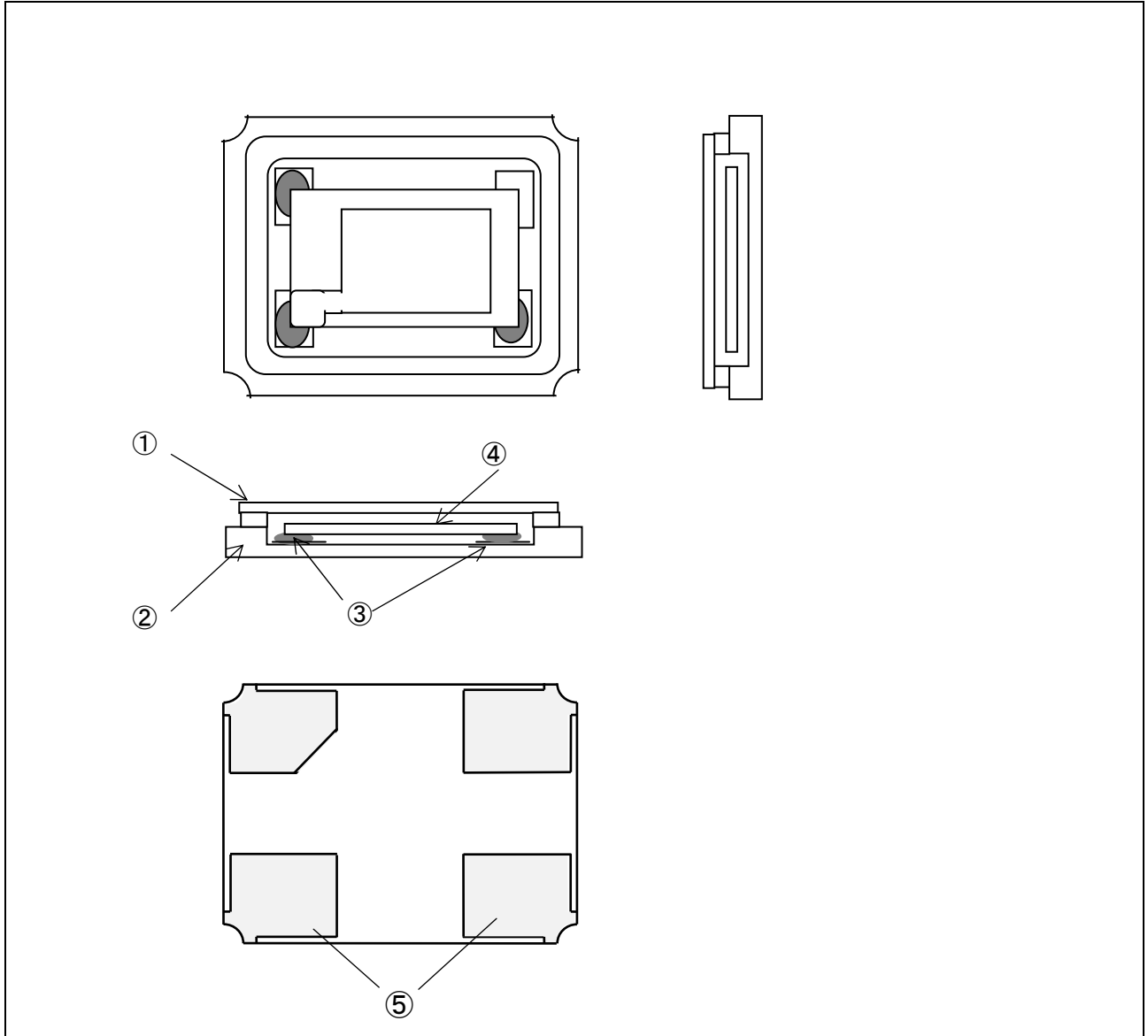
FA-238V

型式

Document No.

FA-238V\_D\_0001

管理No.



No.	Name of Part 部品名
①	Lid リッド
②	Package パッケージ
③	Crystal Adhesive 水晶接着
④	Crystal chip 水晶片
⑤	Terminal 端子

## RELIABILITY TEST DATA

### Product Name : FA-238V

The Company evaluation condition

We evaluate environmental and mechanical characteristics by the following test condition .

No. F-A-0303-01-001E

No.	ITEM	TEST CONDITIONS	VALUE *1 *2	TEST	FAIL
			$\Delta f / f$ [ $1 \times 10^{-6}$ ]	Qty [ n ]	Qty [ n ]
1	Shock	100g dummy Jig (SEIKO EPSON Standard) drop from 1500 mm height on the Concrete 3 directions 10 times	$\pm 10$	22	0
2	Vibration	10 Hz to 55 Hz amplitude 0.75 mm 55 Hz to 500 Hz acceleration $98 \text{ m/s}^2$ 10 Hz $\rightarrow$ 500 Hz $\rightarrow$ 10 Hz 15 min / cycle 6 h ( 2 h $\times$ 3 directions )	$\pm 5$	22	0
3	High temperature storage	+85 °C $\times$ 1 000 h	*3 $\pm 5$	22	0
4	Low temperature storage	-40 °C $\times$ 1 000 h	*3 $\pm 5$	22	0
5	Temperature cycle	-40 °C $\leftrightarrow$ + 85 °C 30 min at each temp. 100 cycles	*3 $\pm 5$	22	0
6	Temperature humidity storage	+85 °C $\times$ 85 %RH $\times$ 1 000 h	*3 $\pm 10$	22	0
7	Resistance to soldering heat	For convention reflow soldering furnace (3 times)	$\pm 5$	22	0
8	Substrate bending	Bend width reaches 3.0 mm and hold for 5 s $\pm$ 1 s $\times$ 1 time Ref. IEC 60068-2-21	No peeling - off at a solder part	11	0
9	Shear	10 N press for 10 s $\pm$ 1 s Ref. IEC 60068-2-21	No peeling - off at a solder part	11	0
10	Pull - off	10 N press for 10 s $\pm$ 1 s Ref. IEC 60068-2-21	No peeling - off at a solder part	11	0
11	Solderability	Dip termination into solder bath at +235 °C $\pm$ 10 °C for 5 s (Using Rosin Flux)	Termination must be 90 % covered with fresh solder	11	0

#### Notes

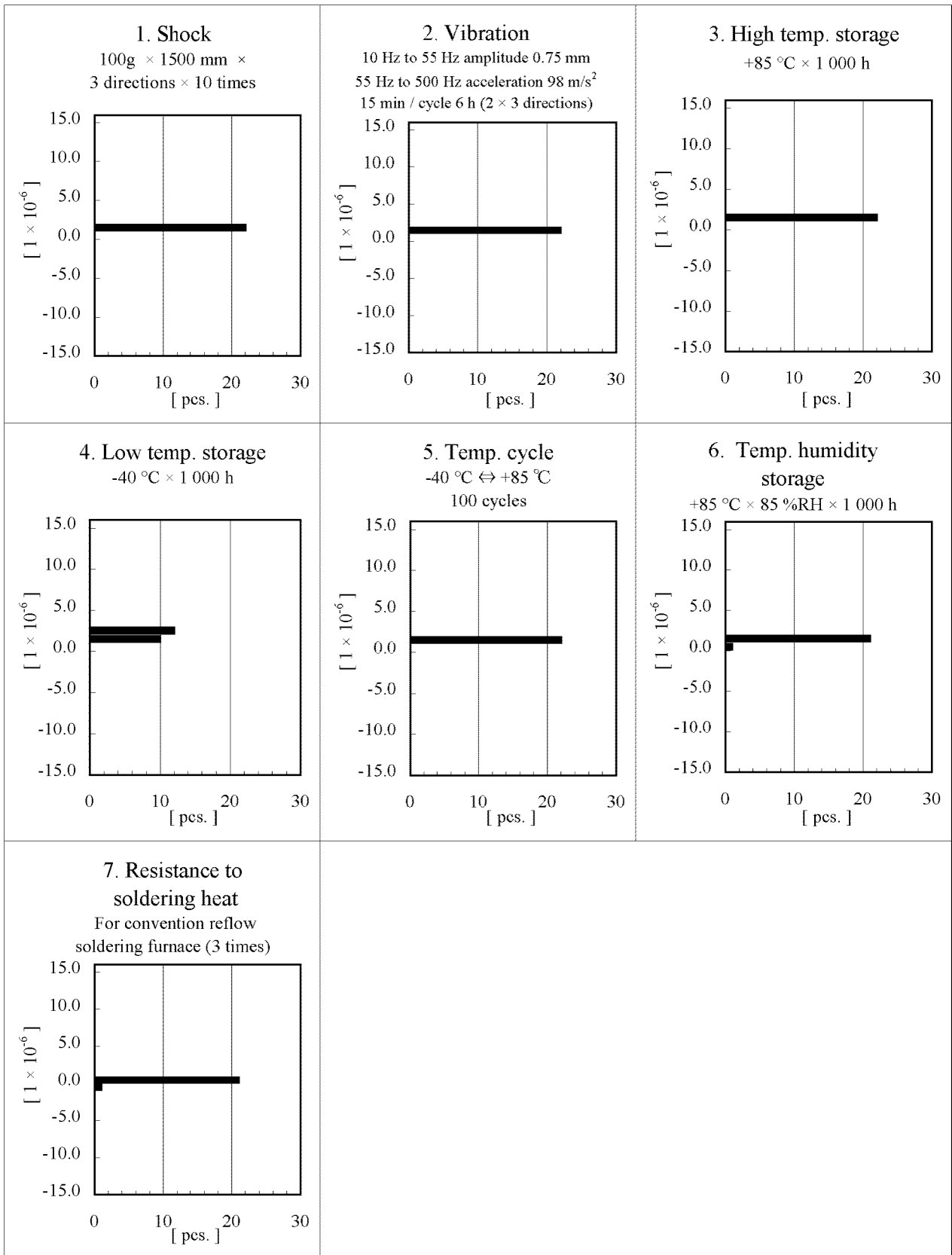
1. \*1 Each test done independently.
2. \*2 Measuring 2 h to 24 h later leaving in room temperature after each test.
3. \*3 Measuring 24 h later leaving in room temperature after each test.
  1. Reflow 3 times
  2. Initial value shall be after 24h at room temperature.
4. Shift series resistance at before above tests should be less than  $\pm 20 \%$  or less than  $\pm 10 \Omega$ .

## Qualification Data

# Product Name : FA-238V

$\Delta f/f$

No. F-A-0303-01-002E





**Product Name : FA-238V**

ΔCI

No. F-A-0303-01-003E

