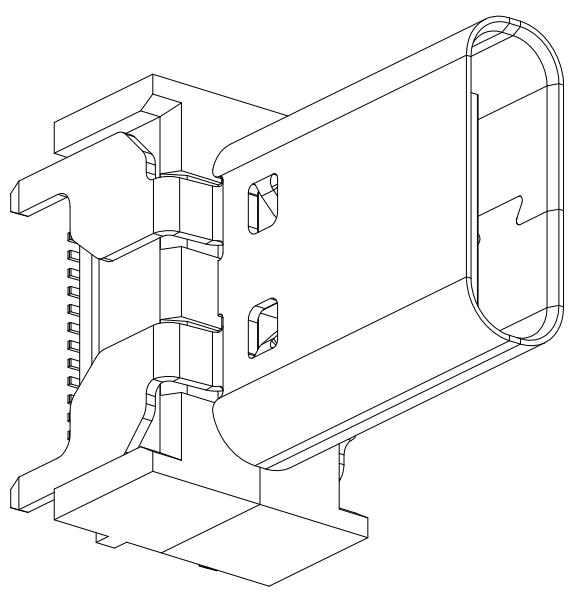
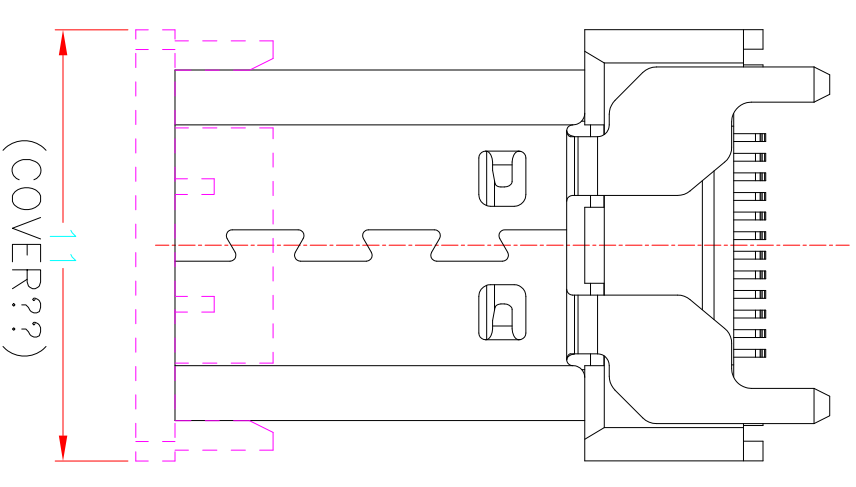
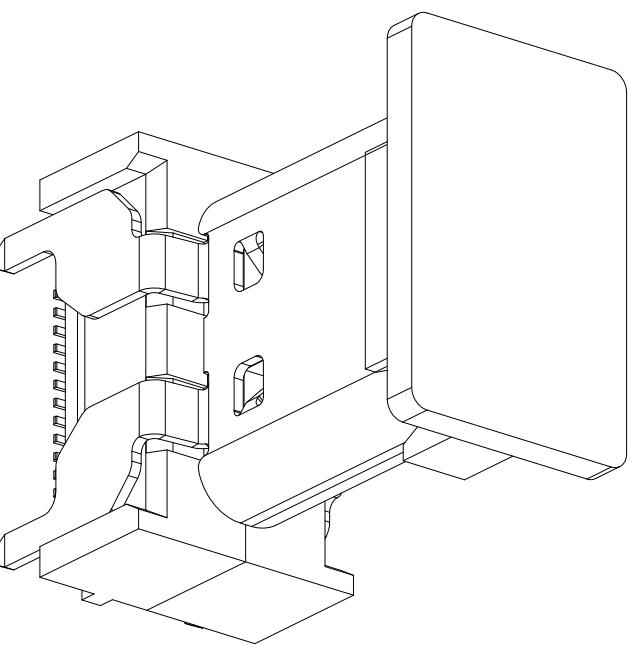


MAPX	MODIFICATION	DATE

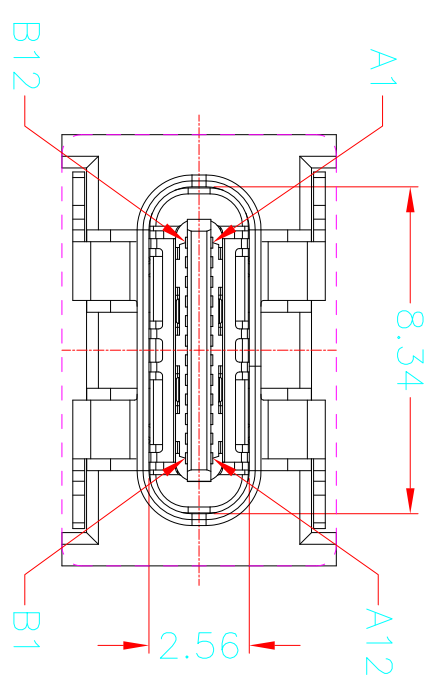
- Contact Resistance: 40mOHM Max.;
- Dielectric Withstanding Voltage: 100V AC For 1 Minute;
- Insulation Resistance: 100M OHM Min.;
- Mating And Unmating Force:
Mating Force: 5~20N
Umating Force: 8~20N;
6~20N AFTER TEST ;
- Durability: 10000 Cycles;



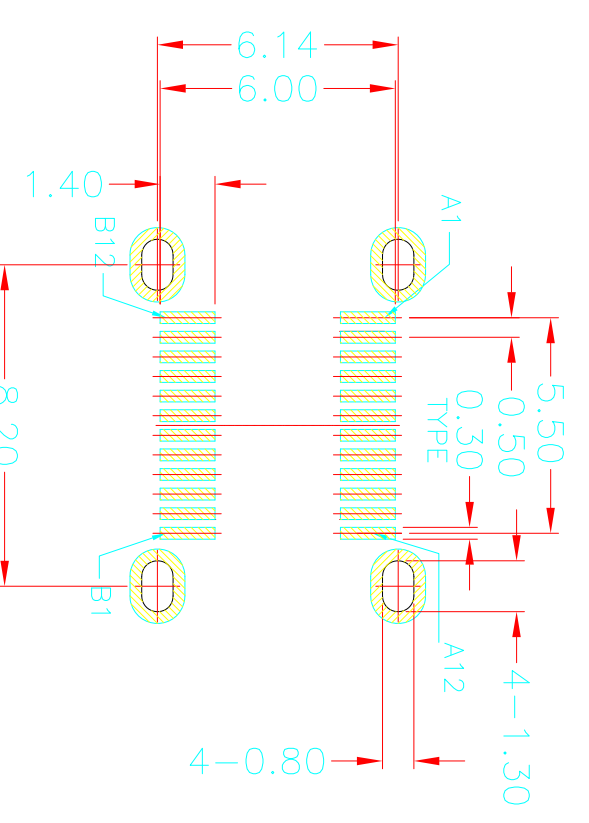
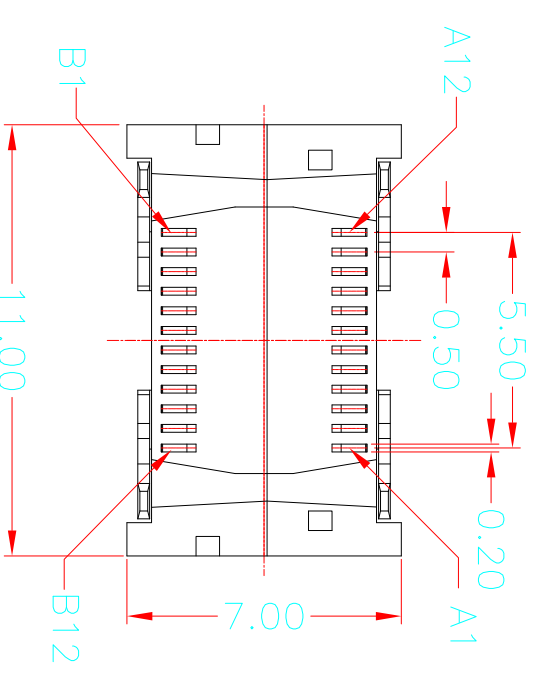
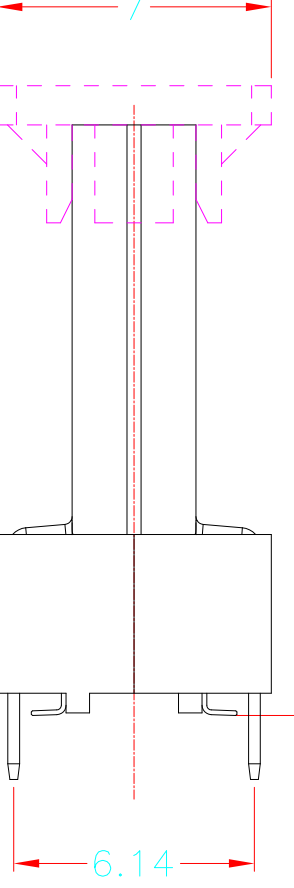
WITHOUT COVER



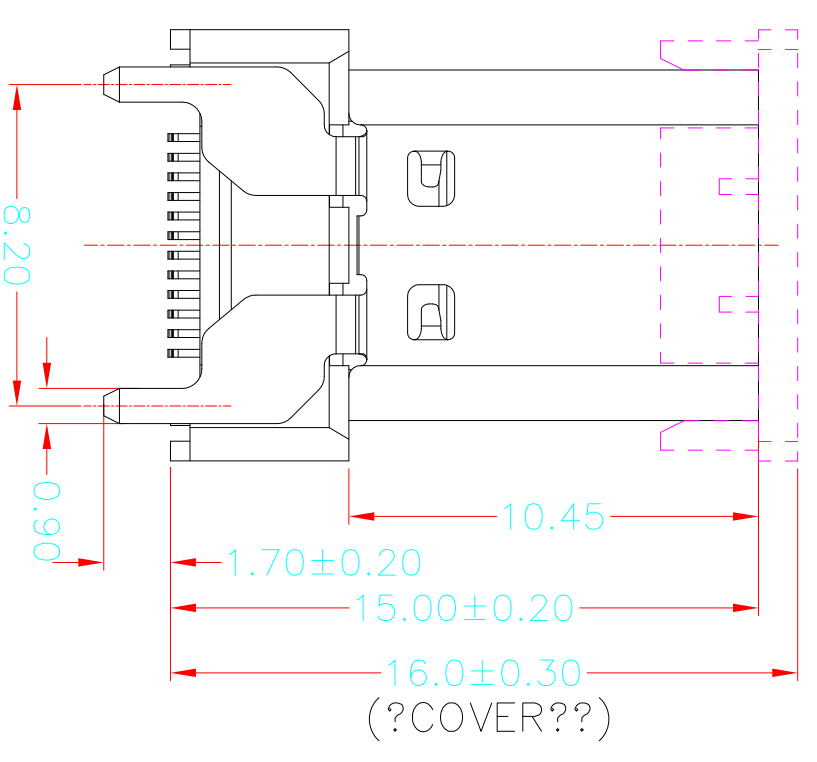
WITH COVER



(COVER???)



RECOMMEND P.C.B LAYOUT(COMPONENT SIDE)
TOLERANCE FOR PCB LAYOUT IS ± 0.05



(?COVER???)

Item	Title	Material	Dispose	Remark
1	Shell	Stainless Steel	Ni:30u" Min.	
2	GND Plate	Stainless Steel		
3	Mid Plate	Stainless Steel		
4	Top Contact	Copper Alloy		Mating Area: See P/N
5	Bottom Contact	Copper Alloy		Solder Tails: Mott Tin
6	Insulator	High Temperature Plastic	UL 94V-0	Black

深圳市精拓金电子有限公司

产品图

PRODUCT CHART DWG

公差一览表		
TOLERANCE UNLESS OTHERWISE		
X.	±0.30	X.
.X	±0.25	.X
.XX	±0.15	.XX
.XXX	±0.10	.XXX
		±5.°
		±2.°
		±1.°
		±0.5°

单位	制图	制图料号
UNITS	DRAWING	PRODUCT PART NO.
MM	YANG	918-418K202AF40000
比例	审核	产品名称
SCALE	CHKD	PRODUCT NO.
1:1	郭志富	TYPE-03 母座立式6 0/10.45脚间距端子双排9T 24PIN
日期	核准	角法
DATE	APPD	VIEW
2019.11.23	黄国荣	
版本	版本	版本
VER	VER	VER
A0	A0	A0