

9.2	38	42	40
9.2	36	40	38
9.2	34	38	36
9.2	32	36	34
9.2	30	34	32
9.2	28	32	30
9.2	26	30	28
9.2	24	28	26
9.2	22	26	24
9.2	20	24	22
9.2	18	22	20
9.2	16	20	18
9.2	14	18	16
9.2	12	16	14
9.2	10	14	12
7.3	8	12	10
C	B	A	極数 CIRCUIT SIZE

△ 1 TABLE 1

番号 No.	部品 PART	材質 MATERIAL		
①	ターミナル TERMINAL	黄銅, BRASS 下地めっき UNDER PLATING 銅めっき 1.0 micro-meter MIN. COPPER PLATING 1.0 micro-meter MIN. コンタクト CONTACT 無光沢錫めっき(リフロー処理) 1.0 micro-meter MIN. MATTE TIN PLATING (REFLOW TREATMENT) 1.0 micro-meter MIN. テール SOLDER TAIL		
	ハウジング HOUSING	ポリアミド(PA)ガラス入り, UL94V-0, 色: SEE CHART POLYAMIDE(PA) GLASS FILLED, UL94V-0, COLOR : SEE CHART		
	DOCUMENT STATUS	P1	RELEASE DATE	2019/08/21

THIS DRAWING CONTAINS INFORMATION THAT IS PROPRIETARY TO MOLEX ELECTRONIC TECHNOLOGIES, LLC AND SHOULD NOT BE USED WITHOUT WRITTEN PERMISSION

DIMENSION UNITS	SCALE	CURRENT REV DESC: RELEASED	
mm	NTS		
GENERAL TOLERANCES (UNLESS SPECIFIED)			
ANGULAR TOL	± 3.0 °	EC NO: 622682	
4 PLACES	± 0.2	DRWN: SNAKAMURA08	2019/08/15
3 PLACES	± 0.2	CHK'D: SAKIYAMA	2019/08/21
2 PLACES	± 0.2	APPR: AIDA	2019/08/21
1 PLACE	± 0.2	INITIAL REVISION:	
0 PLACES	± 0.2	DRWN: SNAKAMURA08	2019/05/09
DRAFT WHERE APPLICABLE MUST REMAIN WITHIN DIMENSIONS		APPR: KOMURAKAMI	2019/05/24
THIRD ANGLE PROJECTION		DRAWING	SERIES
A3-SIZE		501645	MATERIAL NUMBER
SEE SHEET 3		CUSTOMER	SHEET NUMBER
GENERAL		1 OF 3	

**molex**  
IGRID 2.0 PLUG ASSEMBLY  
VERTICAL TIN PLATING  
PRODUCT CUSTOMER DRAWING  
DOCUMENT NUMBER: 5016450000-SD  
DOC TYPE: PSD  
DOC PART: 000  
REVISION: C

**NOTES.**

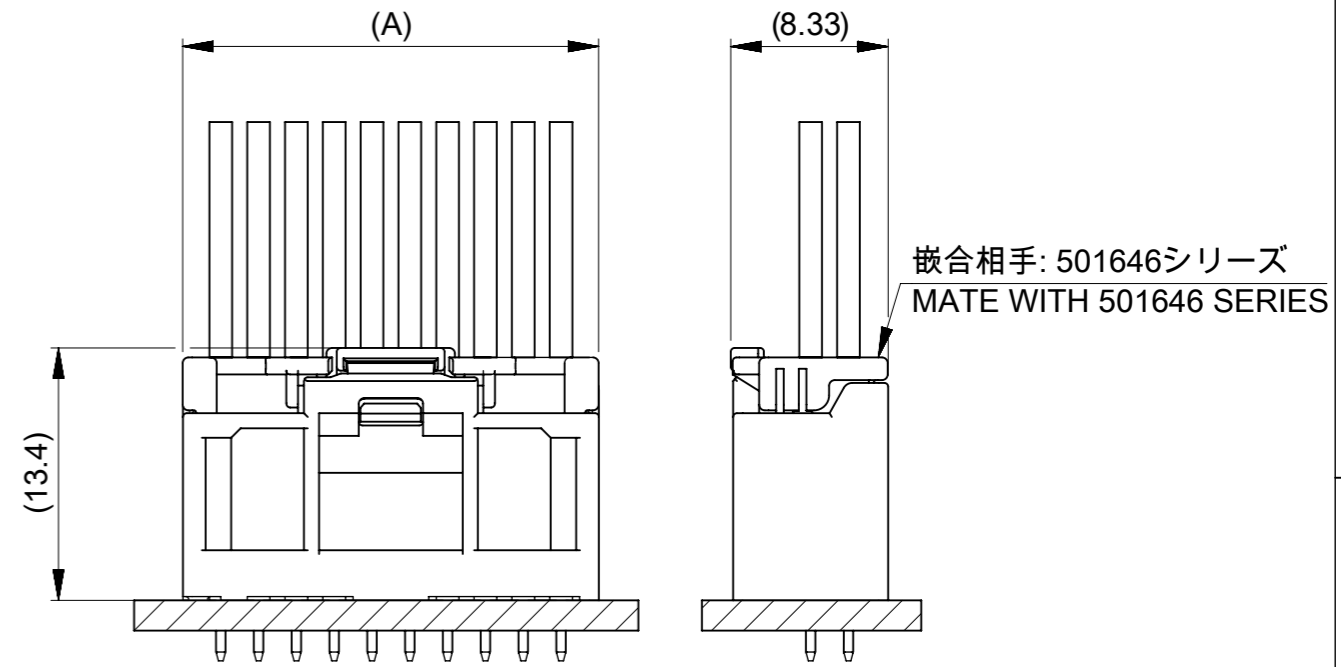
- 1. 材料及び仕上げ(めっき仕様) : TABLE 1 参照  
MATERIAL AND FINISHES : SEE TABLE 1
- 2. 製品仕様書 : PS-501646-001  
PRODUCT SPECIFICATION:PS-501646-001
- 3. 嵌合相手:  
MATES WITH:

リセプタクルハウジング RECEPTACLE HOUSING	501646 SERIES	
圧着端子 RECEPTACLE CRIMP TERMINAL	AWG #22-26 錫めっき AWG #22-26 TIN PLATING	501647 SERIES
	AWG #26-28 錫めっき AWG #26-28 TIN PLATING	501648 SERIES

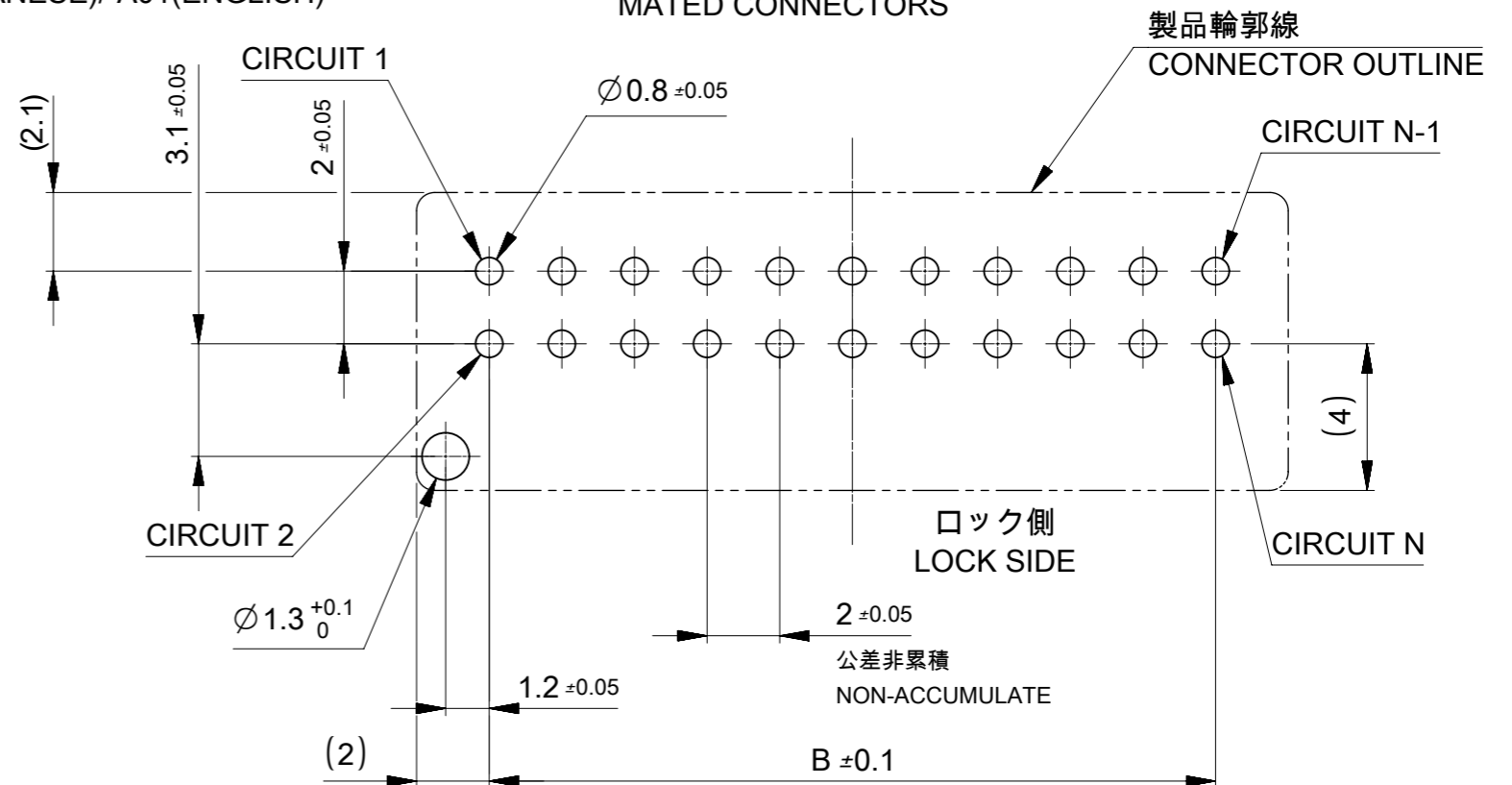
- 4. アプリケーション仕様書(コネクタ取扱い説明書) : 5016460000/PS/-A00(日本語版)/-A01(英語版)  
APPLICATION SPECIFICATION(CONNECTOR MANNUAL): 5016460000/PS/-A00(JAPANESE)/-A01(ENGLISH)
- 5. 本製品は錫めっき品です。  
THIS PRODUCT IS A TIN PLATING.
- 6. 極数/2 = 偶数に適応  
APPLY FOR CIRCUIT SIZE / 2 =EVEN
- 7. ターミナルに錫めっきを使用している為、外観に摺動痕が付く場合があります。  
THE WOUND OF FRICTION MIGHT ADHERE TO EXTERNALS  
BECAUSE THE TIN PLATING IS USED FOR TERMINAL.
- 8. 梱包仕様書: SPK-501645-001  
PACKING INFORMATION : SPK-501645-001
- 9. 発注番号 : SHEET 3 参照  
ORDER No. : PLEASE REFER TO SHEET 3 FOR PRODUCT LIST

501645 \*\*2\*

極数 CIRCUIT SIZE	ハウジングカラー HOUSING COLOR
	0:ナチュラル NATURAL
	1:黒 BLACK
	2:赤 RED
	3:黄 YELLOW
	4:青 BLUE
	5:桃 PINK
	6:緑 GREEN
	7:茶 BROWN
	8:橙 ORANGE
	9:紫 BIOLET



嵌合状態図  
MATED CONNECTORS



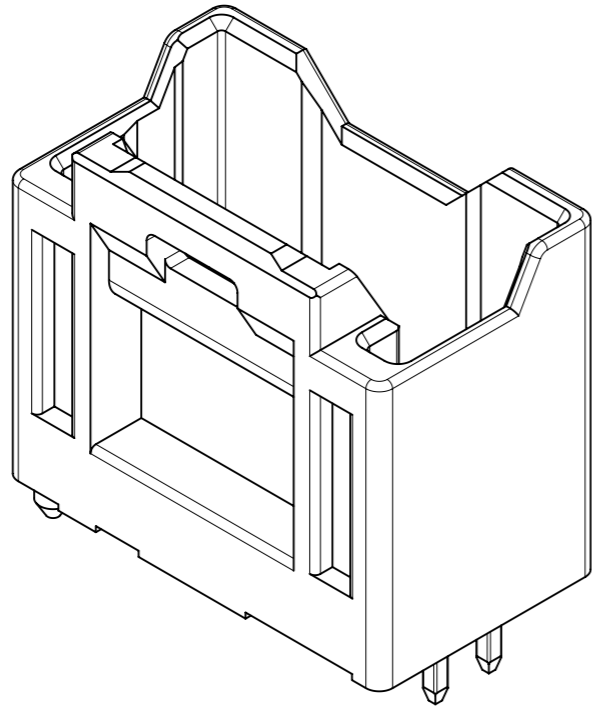
基板取付穴推奨寸法(マウント面)  
POLARIZED RECOMMENDED PWB LAYOUT HOLE DIMENSION (MOUNTING SIDE)  
参考基板厚 t=1.2~1.6  
REFERENCE PWB THICKNESS t=1.2~1.6

THIS DRAWING CONTAINS INFORMATION THAT IS PROPRIETARY TO MOLEX ELECTRONIC TECHNOLOGIES, LLC AND SHOULD NOT BE USED WITHOUT WRITTEN PERMISSION		CURRENT REV DESC: RELEASED		<b>molex</b>	
DIMENSION UNITS	SCALE				
mm	NTS			IGRID 2.0 PLUG ASSEMBLY VERTICAL TIN PLATING	
GENERAL TOLERANCES (UNLESS SPECIFIED)				PRODUCT CUSTOMER DRAWING	
ANGULAR TOL	± 3.0 °	EC NO: 622682		DOCUMENT NUMBER	
4 PLACES	± 0.2	DRWN: SNAKAMURA08	2019/08/15	5016450000-SD	
3 PLACES	± 0.2	CHK'D: SAKIYAMA	2019/08/21	DOC TYPE	DOC PART
2 PLACES	± 0.2	APPR: AIDA	2019/08/21	PSD	000
1 PLACE	± 0.2	INITIAL REVISION:		REVISION	C
0 PLACES	± 0.2	DRWN: SNAKAMURA08	2019/05/09		
DRAFT WHERE APPLICABLE MUST REMAIN WITHIN DIMENSIONS		APPR: KOMURAKAMI	2019/05/24		
THIRD ANGLE PROJECTION		DRAWING	SERIES	MATERIAL NUMBER	CUSTOMER
A3-SIZE		501645	SEE SHEET 3	GENERAL	SHEET NUMBER
					2 OF 3

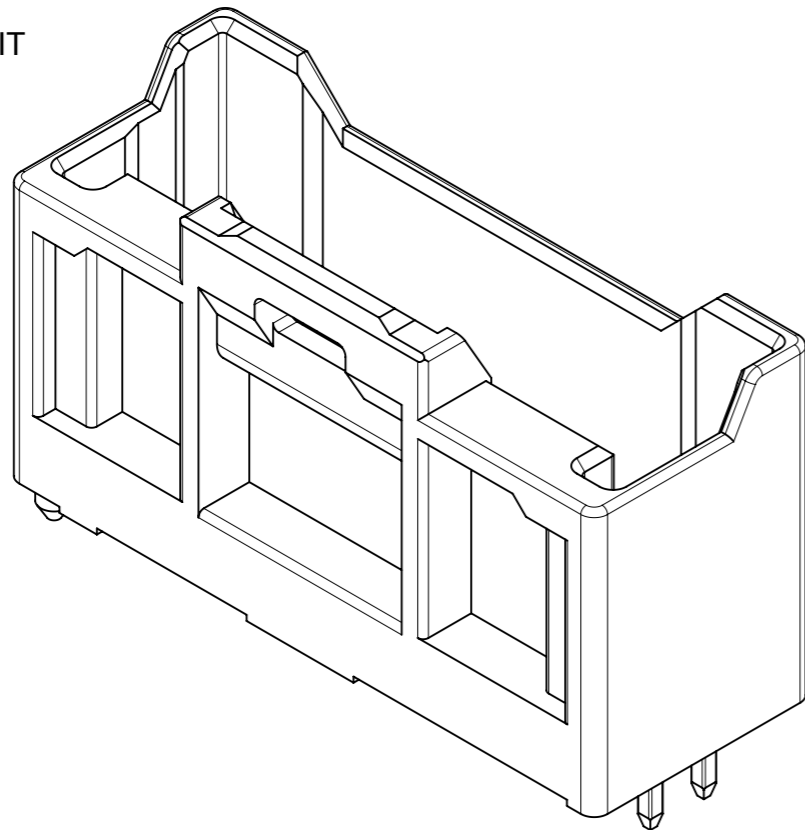
△ 製品一覧 PRODUCT LIST

製品形状  
PRODUCT SHAPE

10, 12極  
10, 12CIRCUIT



14 - 40 極  
14 - 40 CIRCUIT



青: BLUE	黄: YELLOW	赤: RED	黒: BLACK	ナチュラル: NATURAL	HOUSING COLOR
501645 4024	501645 4023	501645 4022	501645 4021	501645 4020	40
↑ 3824	↑ 3823	↑ 3822	↑ 3821	↑ 3820	38
3624	3623	3622	3621	3620	36
3424	3423	3422	3421	3420	34
3224	3223	3222	3221	3220	32
3024	3023	3022	3021	3020	30
2824	2823	2822	2821	2820	28
2624	2623	2622	2621	2620	26
2424	2423	2422	2421	2420	24
2224	2223	2222	2221	2220	22
2024	2023	2022	2021	2020	20
1824	1823	1822	1821	1820	18
1624	1623	1622	1621	1620	16
↓ 1424	↓ 1423	↓ 1422	↓ 1421	↓ 1420	14
↓ 1224	↓ 1223	↓ 1222	↓ 1221	↓ 1220	12
501645 1024	501645 1023	501645 1022	501645 1021	501645 1020	10

発注番号 ORDER No.

極数

PACKAGING STYLE : TRAY

CIRCUIT SIZE

紫: VIOLET	橙: ORANGE	茶: BROWN	緑: GREEN	桃: PINK	HOUSING COLOR
501645 4029	501645 4028	501645 4027	501645 4026	501645 4025	40
↑ 3829	↑ 3828	↑ 3827	↑ 3826	↑ 3825	38
3629	3628	3627	3626	3625	36
3429	3428	3427	3426	3425	34
3229	3228	3227	3226	3225	32
3029	3028	3027	3026	3025	30
2829	2828	2827	2826	2825	28
2629	2628	2627	2626	2625	26
2429	2428	2427	2426	2425	24
2229	2228	2227	2226	2225	22
2029	2028	2027	2026	2025	20
1829	1828	1827	1826	1825	18
1629	1628	1627	1626	1625	16
↓ 1429	↓ 1428	↓ 1427	↓ 1426	↓ 1425	14
↓ 1229	↓ 1228	↓ 1227	↓ 1226	↓ 1225	12
501645 1029	501645 1028	501645 1027	501645 1026	501645 1025	10

発注番号 ORDER No.

極数

PACKAGING STYLE : TRAY

CIRCUIT SIZE

THIS DRAWING CONTAINS INFORMATION THAT IS PROPRIETARY TO MOLEX ELECTRONIC TECHNOLOGIES, LLC AND SHOULD NOT BE USED WITHOUT WRITTEN PERMISSION

DIMENSION UNITS mm	SCALE NTS	CURRENT REV DESC: RELEASED		<b>molex</b>		
GENERAL TOLERANCES (UNLESS SPECIFIED)		EC NO: 622682				
ANGULAR TOL ± 3.0°	4 PLACES ± 0.2	DRWN: SNAKAMURA08	2019/08/15	PRODUCT CUSTOMER DRAWING		
3 PLACES ± 0.2	2 PLACES ± 0.2	CHK'D: SAKIYAMA	2019/08/21	DOCUMENT NUMBER		
1 PLACE ± 0.2	0 PLACES ± 0.2	APPR: AIDA	2019/08/21	5016450000-SD		
DRAFT WHERE APPLICABLE MUST REMAIN WITHIN DIMENSIONS		INITIAL REVISION: DRWN: SNAKAMURA08 APPR: KOMURAKAMI		DOC TYPE	DOC PART	REVISION
THIRD ANGLE PROJECTION		DRAWING	SERIES	MATERIAL NUMBER	CUSTOMER	SHEET NUMBER
A3-SIZE		501645	SEE CHART	GENERAL	000	C
3 OF 3						