



**PARA LIGHT ELECTRONICS CO., LTD.**

4F, No.1, Lane 93, Chien Yi Road, Chung Ho City, Taipei, Taiwan, R.O.C.

Tel: 886-2-2225-3733

Fax: 886-2-2225-4800

E-mail: [para@para.com.tw](mailto:para@para.com.tw)

<http://www.para.com.tw>

DATE SHEET

PART NO : L-3121IT

REV :   A/3  

CUSTOMER'S APPROVAL: \_\_\_\_\_ DCC: \_\_\_\_\_

DRAWING NO : DS-3  -0012      DATE : 2008-02-29      Page : 1

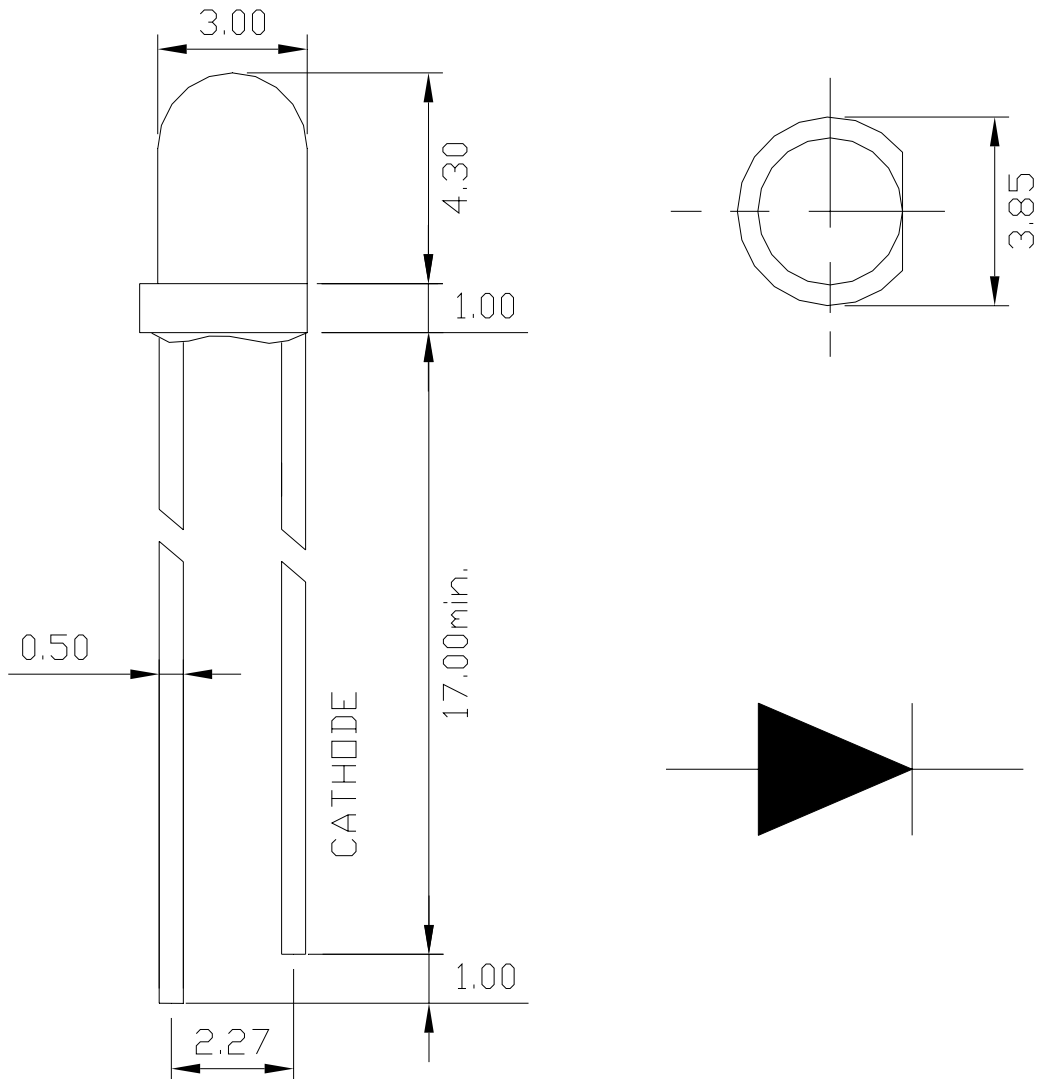


3.0 mm DIA LED LAMP

L-3121IT

REV : A/3

### PACKAGE DIMENSIONS



Notes:

- 1、 All dimension are in millimeter.
- 2、 Tolerance is  $\pm 0.25\text{mm}$  unless otherwise specified.



3.0 mm DIA LED LAMP

L-3121IT

REV : A/3

### FEATURES

- \* 3.0mm DIA LED LAMP
- \* LOW POWER CONSUMPTION
- \* LONG LIFE SOLID STATE RELIABILITY
- \* Pb FREE PRODUCTS

### CHIP MATERIALS

- \* Dice Material : GaAIAs
- \* Light Color : RED
- \* Lens Color : RED TRANSPARENT

### ABSOLUTE MAXIMUM RATING : ( Ta=25 )

SYMBOL	DESCRIPTION	RED	UNIT
PD	Power Dissipation Per Chip	75	mW
VR	Reverse Voltage Per Chip	5	V
IF	Average Forward Current Per Chip	30	mA
IPF	Peak Forward Current Per Chip (Duty=0.1,1KHZ)	120	mA
-	Derating Linear From 25°C Per Chip	0.4	mA/°C
Topr	Operating Temperature Range	-40°C to 85°C	
Tstg	Storage Temperature Range	-40°C to 85°C	

### ◆ ELECTRO-OPTICAL CHARACTERISTICS : ( Ta = 25°C )

SYMBOL	PARAMETER	TEST CONDITION	MIN.	TYP.	MAX.	UNIT
VF	Forward Voltage	IF=20mA		1.8	2.2	V
IR	Reverse Current	VR=5V			100	μA
λD	Dominant Wavelength	IF=20mA		645		nm
Δλ	Spectral Line Half - Width	IF=20mA		30		nm
2θ1/2	Half Intensity Angle	IF=20mA		20		deg
IV	Luminous Intensity	IF=20mA		240		mcd



3.0 mm DIA LED LAMP

L-3121IT

REV : A/3

