

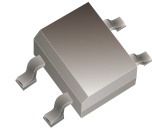
## CDBHM220L-HF Thru. CDBHM2100L-HF

Reverse Voltage: 20 to 100 Volts

Forward Current: 2.0 Amp

RoHS Device

Halogen free

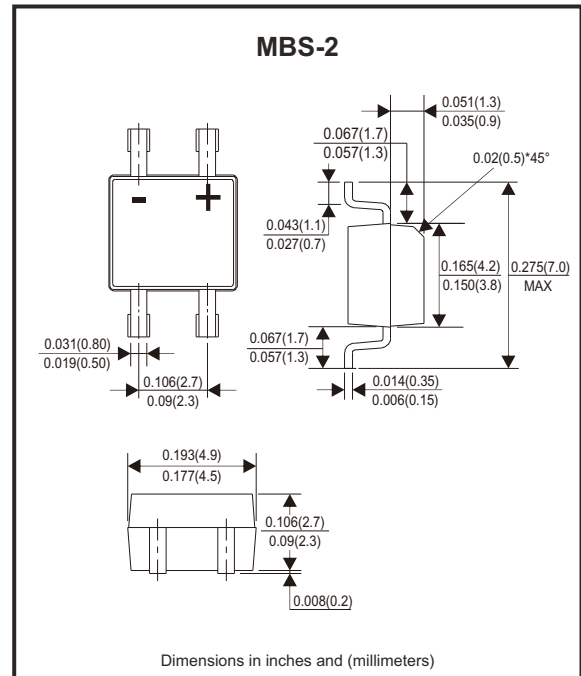


### Features

- For surface mounted applications.
- Metal-Semiconductor junction with guarding.
- Epitaxial construction.
- Very low forward voltage drop.
- High current capability.
- Plastic material has UL flammability classification 94V-0.
- For use in low voltage, high frequency inverters, free wheeling, and polarity protection applications.

### Mechanical data

- Case: molded plastic.
- Polarity: Indicated by cathode band.
- Weight: 0.125 grams (approx.).



### Circuit Diagram



### Maximum Ratings and Electrical Characteristics

Rating at  $T_A=25^{\circ}\text{C}$ , unless otherwise noted.  
Single phase, half wave, 60Hz, resistive or inductive load.  
For capacitive load, derate current by 20%.

Parameter	Symbol	CDBHM 220L-HF	CDBHM 230L-HF	CDBHM 240L-HF	CDBHM 250L-HF	CDBHM 260L-HF	CDBHM 280L-HF	CDBHM 2100L-HF	Unit
Maximum recurrent peak reverse voltage	$V_{RRM}$	20	30	40	50	60	80	100	V
Maximum RMS voltage	$V_{RMS}$	14	21	28	35	42	56	70	V
Maximum DC blocking voltage	$V_{DC}$	20	30	40	50	60	80	100	V
Maximum average forward rectified current @ $T_L=100^{\circ}\text{C}$	$I_{(AV)}$	2.0							A
Peak forward surge current, 8.3mS single half sine-wave, superimposed on rated load (JEDEC method)	$I_{FSM}$	50							A
Maximum forward voltage at 2.0A DC	$V_F$	0.55		0.70		0.85		V	
Maximum DC reverse current at rated DC blocking voltage @ $T_J=25^{\circ}\text{C}$ @ $T_J=100^{\circ}\text{C}$	$I_R$	1.0 20							mA
Typical junction capacitance (Note 1)	$C_J$	125							pF
Typical thermal resistance (Note 2)	$R_{\theta JA}$	20							$^{\circ}\text{C}/\text{W}$
Operating temperature range	$T_J$	-55 to +125							$^{\circ}\text{C}$
Storage temperature range	$T_{STG}$	-55 to +150							$^{\circ}\text{C}$

Notes: 1. Measured at 1.0MHz and applied reverse voltage of 4.0V DC.  
2. Thermal resistance junction to lead.

Company reserves the right to improve product design , functions and reliability without notice.

REV:D

# Low Vf SMD Schottky Bridge Rectifiers

## Rating and Characteristic Curves (CDBHM220L-HF Thru. CDBHM2100L-HF)

Fig.1 - Forward Current Derating Curve

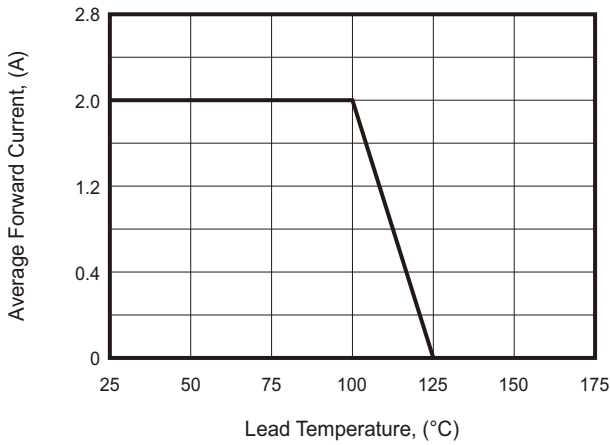


Fig. 2 - Maximum Non-Repetitive Surge Current

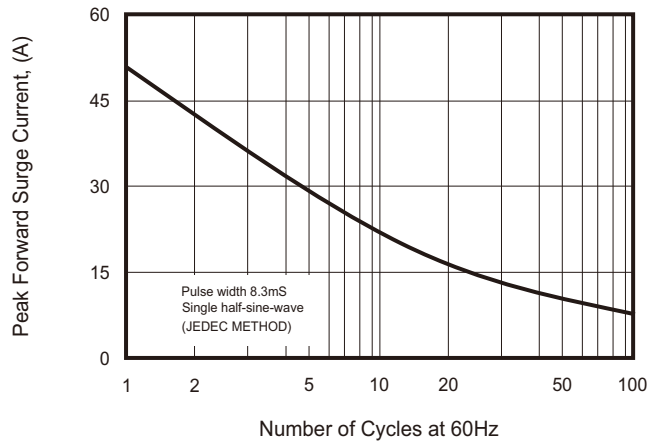


Fig.3 - Typical Forward Characteristics

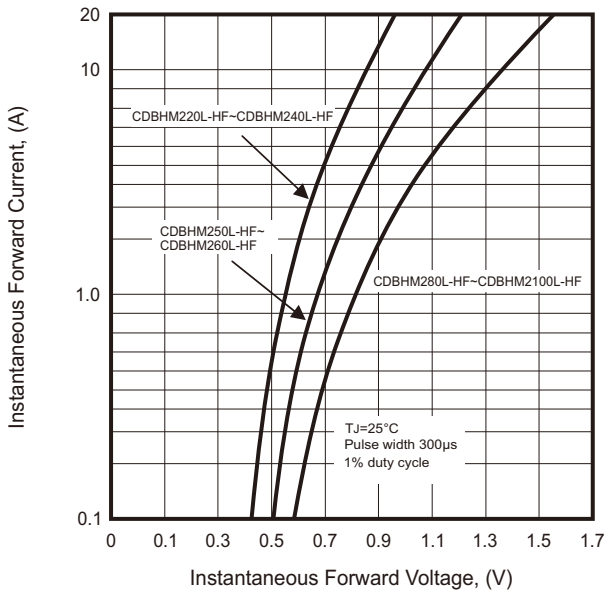


Fig.4 - Typical Junction Capacitance

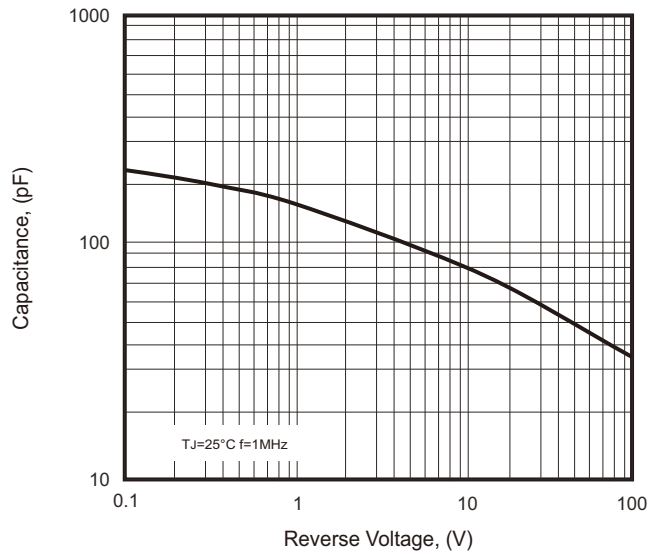
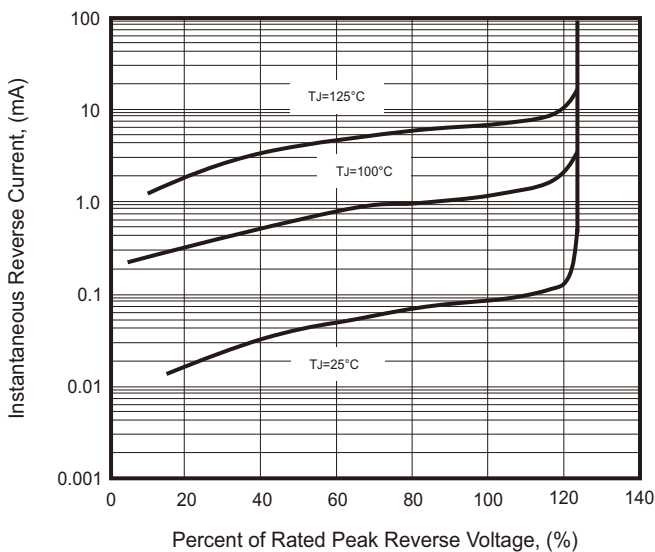
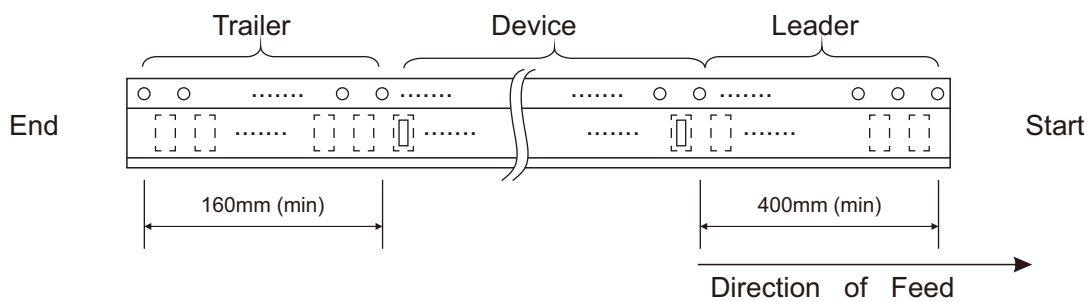
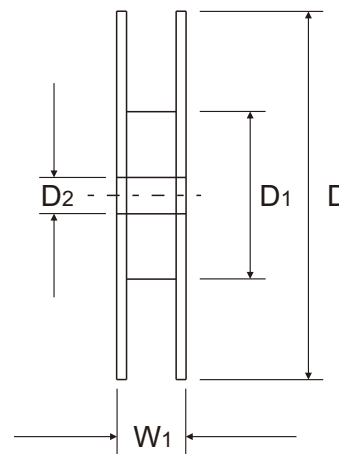
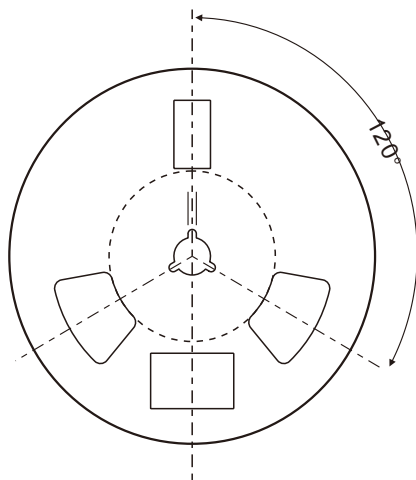
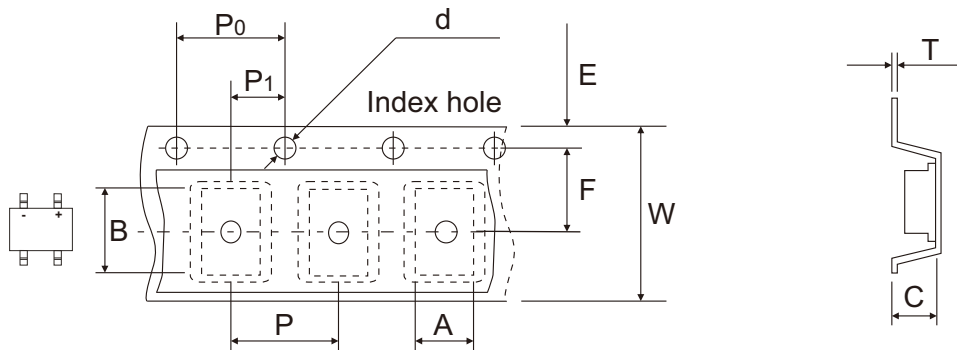


Fig.5 - Typical Reverse Characteristics



## Reel Taping Specification

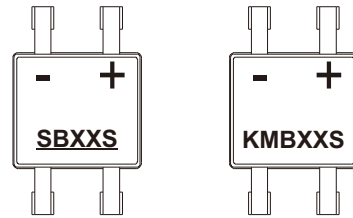


MBS-2	SYMBOL	A	B	C	d	D	D1	D2
	(mm)	4.90 ± 0.01	7.24 ± 0.10	3.33 ± 0.10	1.55 ± 0.10	330.0	50.0 MIN.	13.0 ± 0.20
	(inch)	0.93 ± 0.004	0.285 ± 0.004	0.131 ± 0.004	0.0610 ± 0.004	13.00	1.969 MIN.	0.512 ± 0.008

MBS-2	SYMBOL	E	F	P	P0	P1	W	W1
	(mm)	1.75 ± 0.10	5.50 ± 0.05	8.00 ± 0.10	4.00 ± 0.10	2.00 ± 0.05	12.00 ± 0.30	12.0~14.40
	(inch)	0.069 ± 0.004	0.217 ± 0.002	0.315 ± 0.004	0.157 ± 0.004	0.079 ± 0.002	0.472 ± 0.012	0.472~0.657

## Marking Code

Part Number	Marking Code	
	SB22S	KMB22S
CDBHM220L-HF	SB22S	KMB22S
CDBHM230L-HF	SB23S	KMB23S
CDBHM240L-HF	SB24S	KMB24S
CDBHM250L-HF	SB25S	KMB25S
CDBHM260L-HF	SB26S	KMB26S
CDBHM280L-HF	SB28S	KMB28S
CDBHM2100L-HF	SB210S	KMB210S

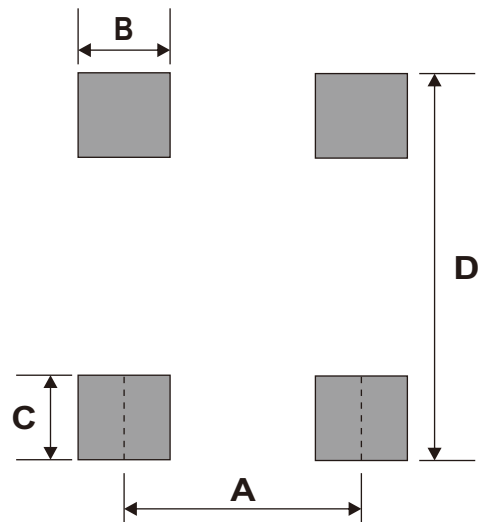


xx/xxx = Product type marking code

## Suggested P.C.B. PAD Layout

SIZE	MBS-2	
	(mm)	(inch)
A	2.55 REF	0.100 REF
B	0.82 MIN	0.032 MIN
C	0.92 MIN	0.036 MIN
D	7.00 MAX	0.276 MAX

Note: 1. The pad layout is for reference purposes only.



## Standard Packaging

Case Type	REEL PACK	
	REEL ( pcs )	Reel Size (inch)
MBS-2	3,000	13