

DCG 超高压瓷介电容器

DCG Ultra High Voltage Ceramic Capacitors

特性 Feature

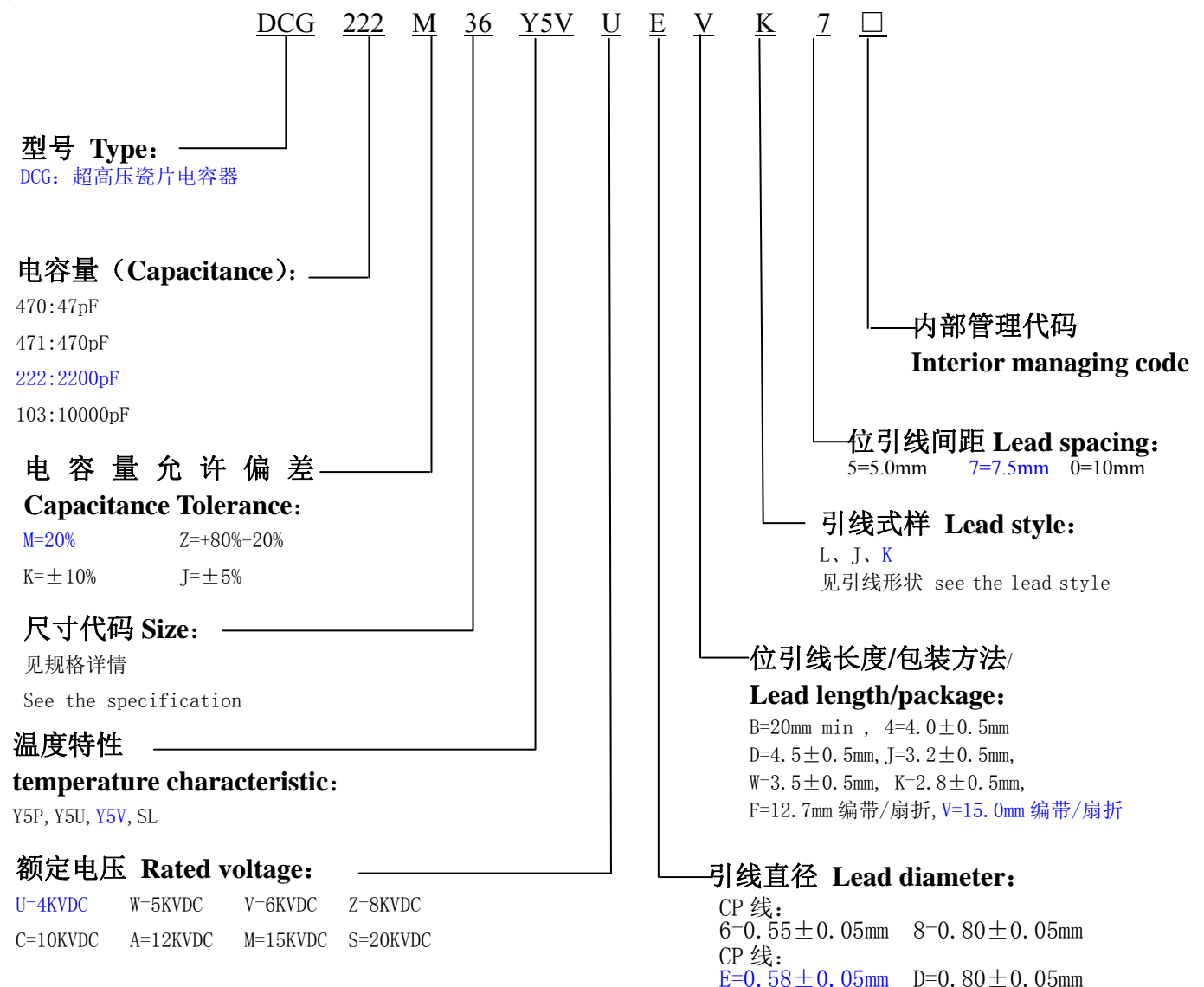
- 容量范围 Wide capacitance range from 1pF to 10000pF
- 工作温度 Operating Temperature: -40℃~125℃
- 存储温度 Storage Temperature: -10℃~40℃

应用 Applications

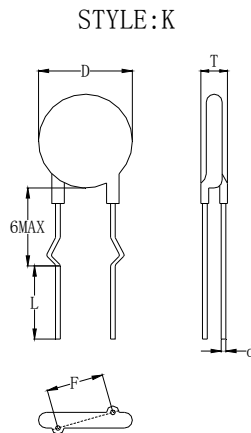
DCG 型超高压圆片瓷介电容器具有较宽的直流额定电压范围和宽的电容容量范围，适用于高压电源的滤波电路、电视机和显示器的高压电路中。

DCG Ultra High Voltage Ceramic Capacitors have high rated voltage, often used in filter circuit for high voltage supply and in high voltage circuit for TV set and monitor.

产品型号 Part Number



脚型 Lead style



规格 Specification

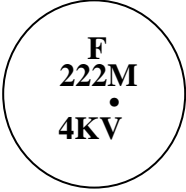

SHM 产品代码 SHM Part No.	额定电压 Rated voltage (KV)	标称容量 Nominal capacitance (pF)	电容量允许偏差范围 Tolerance (%)	温度特性 Temperature Characteristic	产品尺寸(mm)				
					直径 Dmax. (mm)	厚度 Tmax. (mm)	引线间距 F(mm)	引线直径 d (mm)	引线长度 L (mm)/编带方式
DCG222M36Y5VUEVK7A0	4KVDC	2200	±20%	Y5V	9.8	6.5	7.5±0.5	0.55±0.05	V 编带
DCG470K30SL V6JK0A0	6KVDC	47	±10%	SL	7.8	7.0	10±1.0	0.55±0.05	3.2±0.5

电性能指标 Electrical Performance

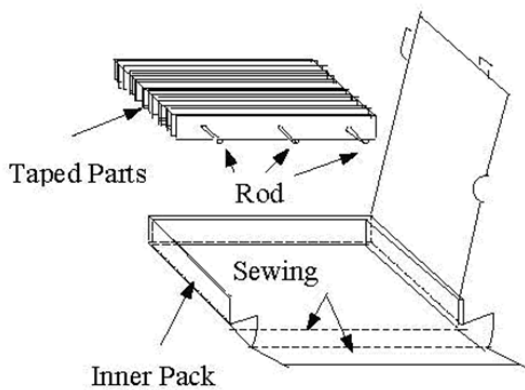
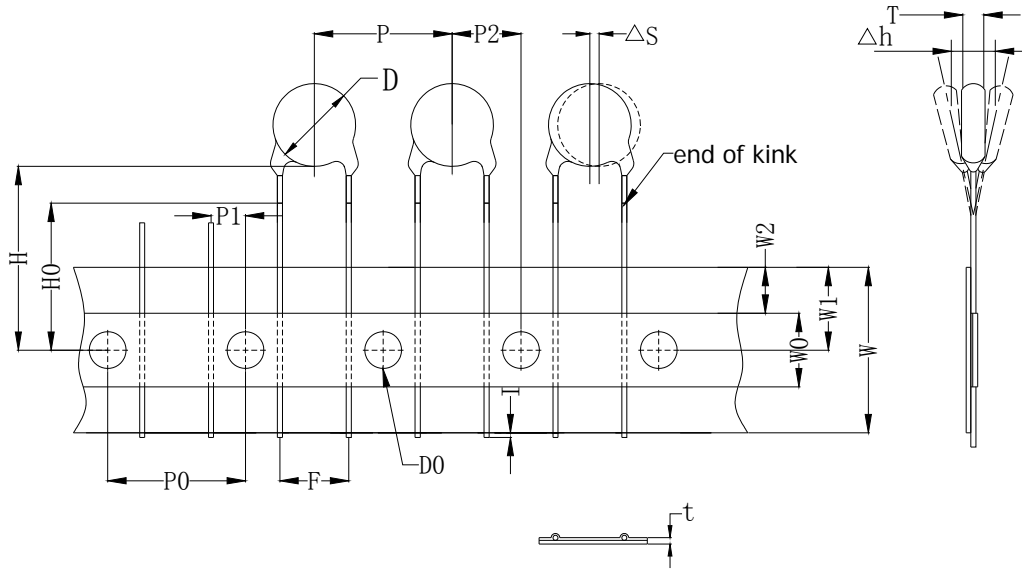
序号 No.	项目名称 Item	技术要求 Specification	
1	容量和误差 C	@25°C, 1kHz and 1Vrms/ @25°C, 1MHz and 1Vrms (For SL)	参照规格表 See the specification
2	损耗系数 DF		Q ≥ 400 + 20Cr (Cr < 30pF) Q ≥ 1000 (Cr ≥ 30pF) For SL 2.5% max. (Y5P, Y5U) 3.5% max. (Y5V)
3	绝缘电阻 IR	@500 VDC, 60S	10000MΩ min
4	耐电压 Rate Voltage	1.5U _R	无击穿或飞弧。 No visible damage
5	温度特性 temperature characteristic	SL	+100 to -1000 (10 ⁻⁶ /°C)
		Y5P	±10%
		Y5U	+22% to -56%
		Y5V	+22% to -82%

标志 Marking

例如 e. g

	30#号产品以下 ≤ 30#	34#产品以上 ≥ 34#
正面 Front		
反面 Back	空白 Blank	空白 Blank

TAPING STYLE V



- 1.*打弯脚型以 H0 为准。
For kink lead only.
- 2.*直脚产品以 H 为准。
For straight lead only.

Symbol	Dimension(mm)
P0	15.0 \pm 0.2
P	15.0 \pm 1.0
F	10.0 \pm 0.5
P1	/
P2	/
H0	16.0 \pm 1.0* ¹
H	20.0 \pm 1.0* ²
W	18.0 \pm 0.5
W0	8.0min.
W1	9.0 \pm 0.3
W2	3.0max.
t	0.7 \pm 0.2
D	To comply with individual sheet
D0	4.0 \pm 0.2
d	To comply with individual sheet
l	2.0max.
T	To comply with individual sheet
ΔS	1.0max.
Δh	1.0max.