



应达利电子股份有限公司

INTERQUIP ELECTRONICS (SHENZHEN) CO., LTD

Block D, Xu Fa Science and Technology Park, The Second industry District, Feng huang Village,
Fu Yong Town, Bao An District , Shenzhen, China

Tel:+86-755-33251781. Fax:+86-755-29128486. Postal code:518103

Web:www.interquip.com Email:iqlsz@interquip-china.com

Customer Approval Sheets

Product: Crystal Oscillator

Description: Temperature compenated Crystal Oscillator

IQG P/N: TC800-26.000-FTBKC

Ref No:

Approval Section:			
Date:			
Customer:		Attn:	
DEPT.	DEPT.	DEPT.	DEPT.

Customer Part Number

--	--	--	--	--	--	--	--	--	--	--	--	--	--	--	--

Prepared by:		Checked by:		Approved by:



SPECIFICATION

PART NUMBER: **TC800-26.000-FTBKC**

1 Scope

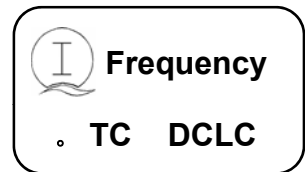
1.1 This is Analog Temperature Compensated Crystal Oscillator. It can be applied to electronic equipment. It is lead-free product and it can satisfy RoHs requirements.

2 Construction

2.01 Type of Oscillators: **Temperature Compensated Crystal Oscillators**

2.02 Dimension: **3.2mm*2.5mm*1.0mm SMD 4 pads**

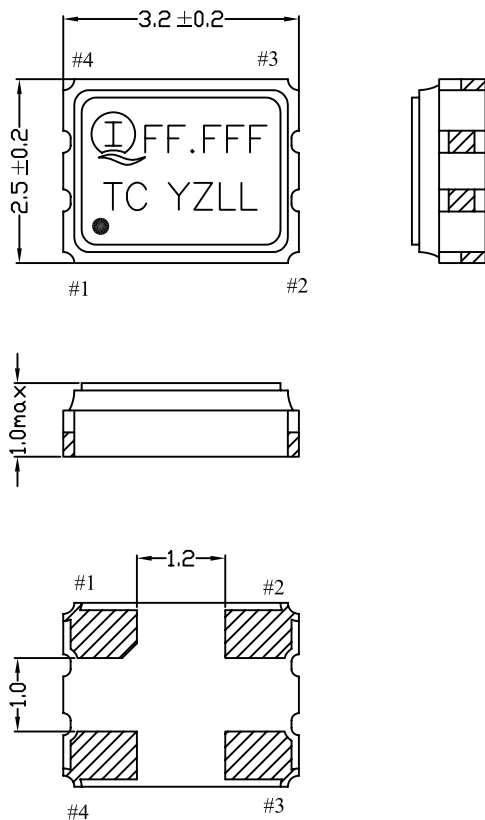
2.03 Marks: **Q+Frequency+TC+DateCode+LotCode**



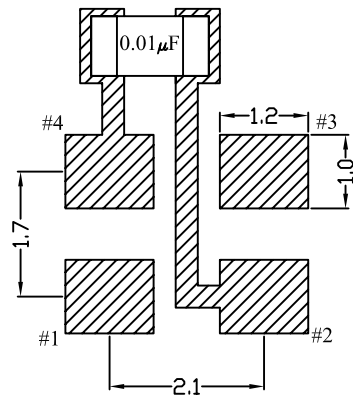
3 Electrical Characteristics

3.01 Nominal Frequency:	26.000MHz		
3.02 Frequency Tolerance :	±1.5 ppm at 25°C ±2°C (after 2 times reflow)		
3.03 Frequency Stability vs Temperature:	±5.0ppm from -40°C to 85°C refer 25°C		
3.04 Frequency Stability vs Voltage:	±0.2ppm VDD±10%		
3.05 Frequency Stability vs Load:	±0.2ppm 10kΩ//10pF±10%		
3.06 Aging:	±3ppm/10 years, ±5ppm/20 years		
3.07 Operating Temperature Range:	-40°C to +85°C		
3.08 Storage Temperature Range:	-40°C to +85°C		
3.09 Power Supply Voltage (VDD):	3.3Vdc±10%		
3.10 Current Consumption (Idd):	1.5mA max		
3.11 Output Waveform:	Clipped Sinewave		
3.12 Output Voltage Level:	0.8V min		
3.13 Symmetry:	40%~60%		
3.14 Output Load:	10kΩ//10pF		
3.15 Start-up Time:	2.0ms max		
3.16 Harmonics:	-5dBc max		
3.17 Phase Noise:	-110dBc/Hz	at 100Hz	offset
	-130dBc/Hz	at 1KHz	offset
	-145dBc/Hz	at 10KHz	offset
	-150dBc/Hz	at 100KHz	offset

EXTERNAL DIMENSIONS



RECOMMENDED SOLDERING PATTERN



PIN	CONNECTION
#1	N.C
#2	GROUND
#3	OUTPUT
#4	VDD

MARKING SPECIFICATIONS

I — INTERQUIP company's logo
 FF.FFF — REPRESENT FREQUENCY (MHZ), THE SIGNIFICANT DIGIT IS RESERVED 3 DIGIT BEHIND DECIMAL POINT
 TC — REPRESENT TEMPERATURE COMPENSATED CRYSTAL OSCILLATOR

YZ — REPRESENT MONTH & YEAR CODE RESPECTIVELY
 " Y " :

MONTH	Jan	Feb	Mar	Apr.	May	Jun	Jul	Aug	Sep	Oct	Nov	Dec
MARK	A	B	C	D	E	F	G	H	J	K	L	M

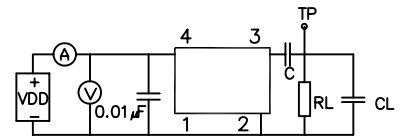
" Z " CODE IS THE LAST NUMBER OF PRODUCTION YEAR

FOR INSTANCE:

YEAR	2013	2014	2015	2016	2017	2018	2019
MARK	3	4	5	6	7	8	9

LL — REPRESENT LOT CODE (AA-ZZ)

SINE TEST CIRCUIT

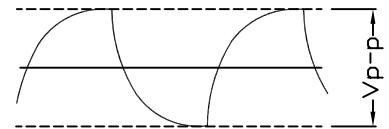


CL=10pF (including fixture and probe capacitances)

RL=10kOhm

C: FOR DC BLOCKING

TYPICAL CLIPPED SINE WAVE FORM



- NOTES: 1. DO NOT SCALE DRAWING
 2. ALL DIMENSIONS ARE IN MM



Interquip Electronics Co.,Ltd

DATE			MODIFY DESCRIPTION			BY			TITLE			DWN.		
									TCXO			M_Zhao		
									PART NO.			DATE		
									MODEL TC800 SERIES			2013.9.16		
									REMARK			CHKD		
												Jc_Xie		
									TOLERANCE			DATE		
									X.±0.3 X.X±0.15			2013.9.16		
									X.XX±0.05 ANGULAR±			APPD.		
												Xm_Sun		
									DATE			2013.9.16		
									DWG.NO. 004-06339-015			REV. 1		