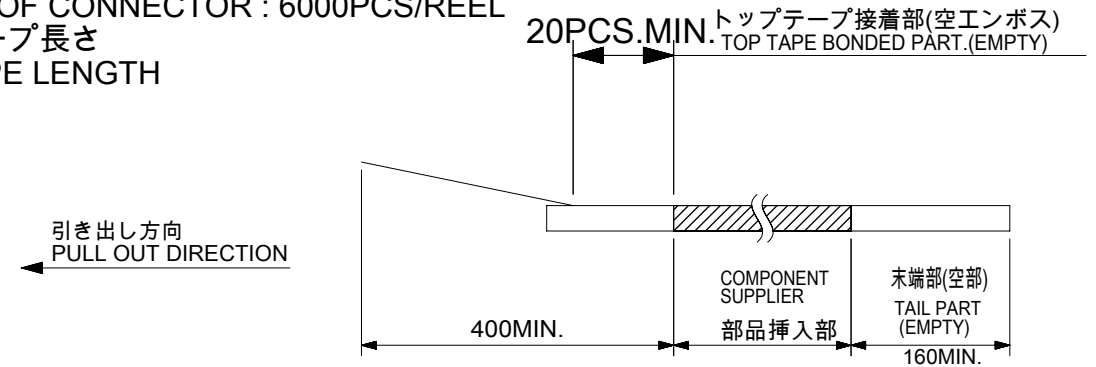


NOTES:

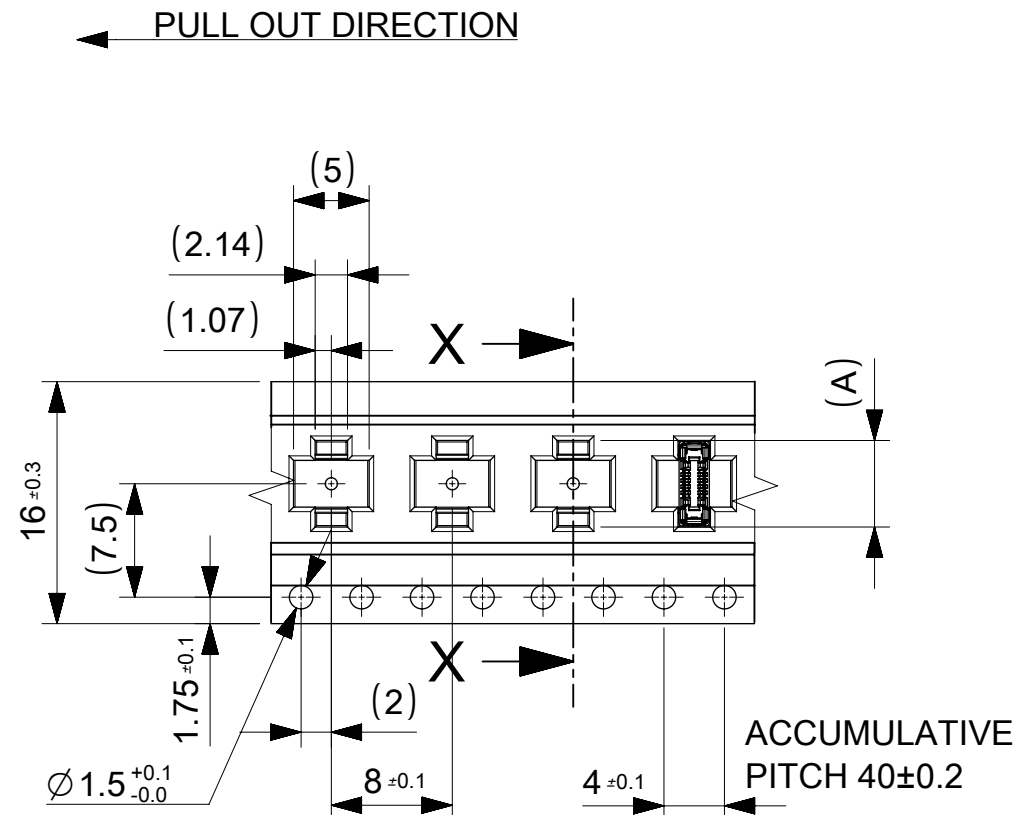
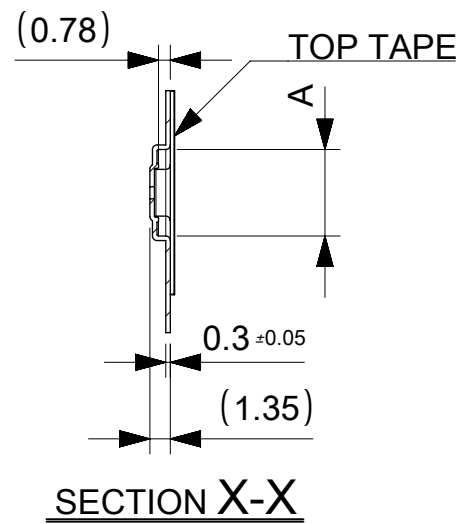
1. 詳細寸法については製品単体図面を参照ください。  
RE DETAILED DIMENSION, SEE SALES DRAWING FOR CONNECTOR
2. 梱包数量 : 6000個/リール  
NUMBER OF CONNECTOR : 6000PCS/REEL
3. リードテープ長さ  
LEAD TAPE LENGTH



4. トップテープ剥離強度はIEC60286-3.準拠  
PEEL-OFF FORCE OF TOP TAPE : BASED UPON IEC60286-3.
5. MATERIAL  
CARRIER TAPE : POLYSTYREN(PS)  
TOP TAPE : PET , OHTER  
REEL : POLYSTYREN (PS) [RECYCLE MATERIAL CONTAINED]
6. ELV AND RoHS COMPLIANT

MODEL NO. 505473\*\*10

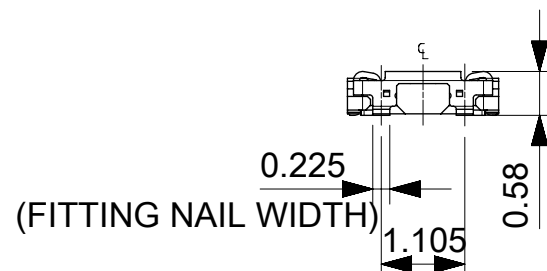
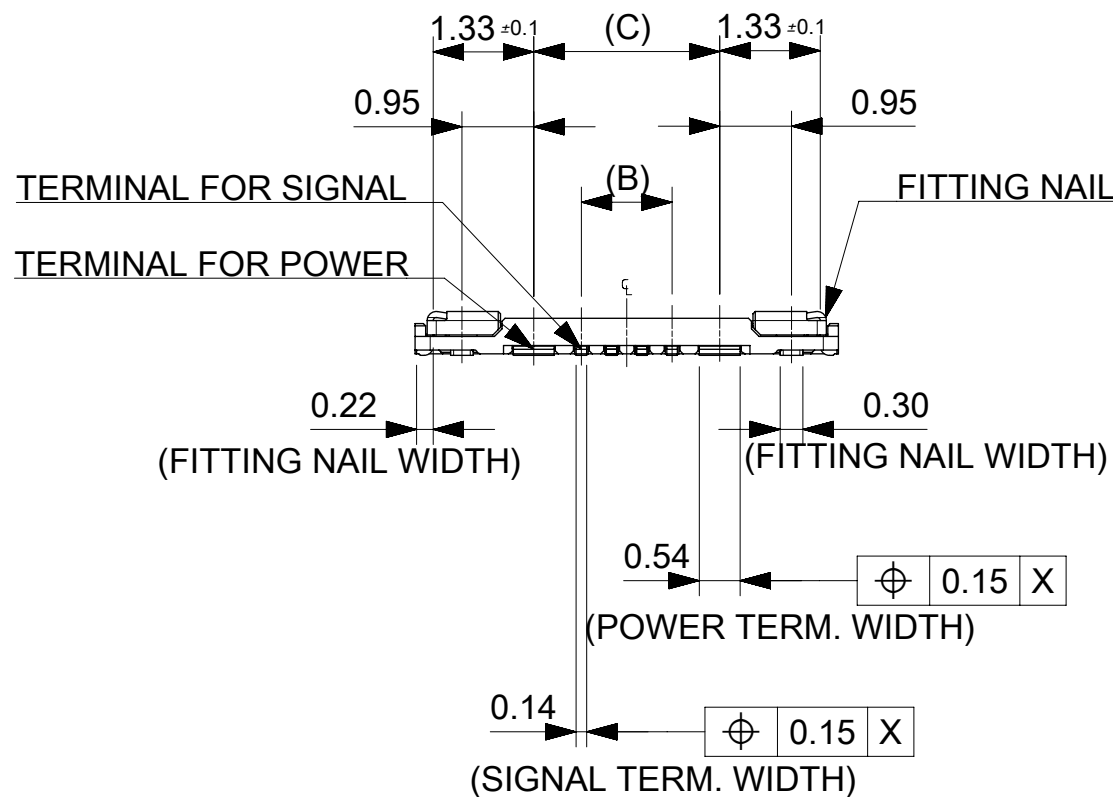
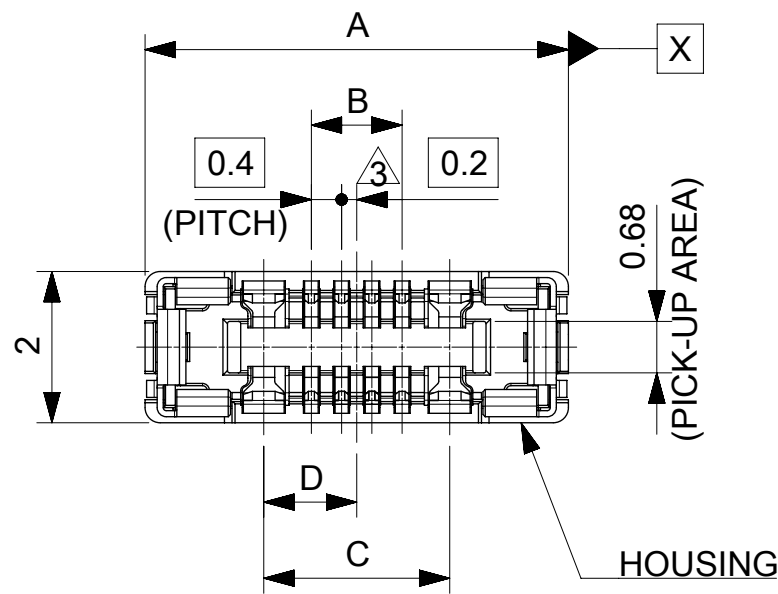
THIS DRAWING CONTAINS INFORMATION THAT IS PROPRIETARY TO MOLEX INCORPORATED AND SHOULD NOT BE USED WITHOUT WRITTEN PERMISSION									
EC DESCRIPTION EC NO: 101345 DRWN: GMATSUNO CHK'D: KMORIKAWA APPR: KMORIKAWA	GENERAL TOLERANCES (UNLESS SPECIFIED)			DIMENSION UNITS	SCALE	<b>molex</b>			
				mm	1:5				
	ANGULAR TOL ± 3.0 °			DRWN BY	DATE	0.4 BB CONN. RB REC. ASSY EMBSTP PKG			
	4 PLACES ± 0.03			GMATSUNO	2015/08/20				
	3 PLACES ± 0.03			CHK'D BY	DATE	PRODUCT CUSTOMER DRAWING			
	2 PLACES ± 0.05			KTANAKA03					
1 PLACE ± 0.1			APPR BY	DATE	SERIES MATERIAL NUMBER CUSTOMER 505473 SEE CHART GENERAL				
0 PLACES ± 0.2			KMORIKAWA	2015/10/13					
DRAFT WHERE APPLICABLE MUST REMAIN WITHIN DIMENSIONS			DRAWING SIZE	THIRD ANGLE PROJECTION	DOCUMENT NUMBER DOC TYPE DOC PART SHEET NUMBER 5054730000 PSD 000 1 OF 2				
			A3						



16	5.72	4	8	5054731210	---	---	12
	5.32	4	6	5054731010	○	---	10
	4.92	4	4	5054730810	○	---	8
キャリアテープ幅 CARRIER TAPE WIDTH	A	FOR POWER	FOR SIGNAL	EMBOSSSED TAPE PACKAGE	HIGH VOL. TOOL	LOW VOL. TOOL	CIRCUIT
		USAGE		ORDER NO.	SAMPLE PREPARATION ○: TOOLED △: WORK IN PROCESS ---: TOOLING TO BE CONFIRMED		

THIS DRAWING CONTAINS INFORMATION THAT IS PROPRIETARY TO MOLEX INCORPORATED AND SHOULD NOT BE USED WITHOUT WRITTEN PERMISSION

EC NO: 101345 DRWN: GMATSUNO CHK'D: KMORIKAWA APPR: KMORIKAWA	2015/08/20	GENERAL TOLERANCES (UNLESS SPECIFIED)		DIMENSION UNITS	SCALE			
	2015/10/13	ANGULAR TOL ± 3.0 °		mm	2:1			
	2015/10/13	4 PLACES ± 0.03	DRWN BY	DATE	0.4 BB CONN. RB REC. ASSY EMBSTP PKG			
		3 PLACES ± 0.03	GMATSUNO	2015/08/20				
		2 PLACES ± 0.05	CHK'D BY	DATE	PRODUCT CUSTOMER DRAWING			
	1 PLACE ± 0.1	KTANAKA03						
	0 PLACES ± 0.2	APPR BY	DATE	SERIES	MATERIAL NUMBER	CUSTOMER		
	DRAFT WHERE APPLICABLE MUST REMAIN WITHIN DIMENSIONS	KMORIKAWA	2015/10/13	505473	SEE CHART	GENERAL		
A	REV	DRAWING SIZE		THIRD ANGLE PROJECTION	DOCUMENT NUMBER	DOC TYPE	DOC PART	SHEET NUMBER
		A3			5054730000	PSD	000	2 OF 2



**NOTES**

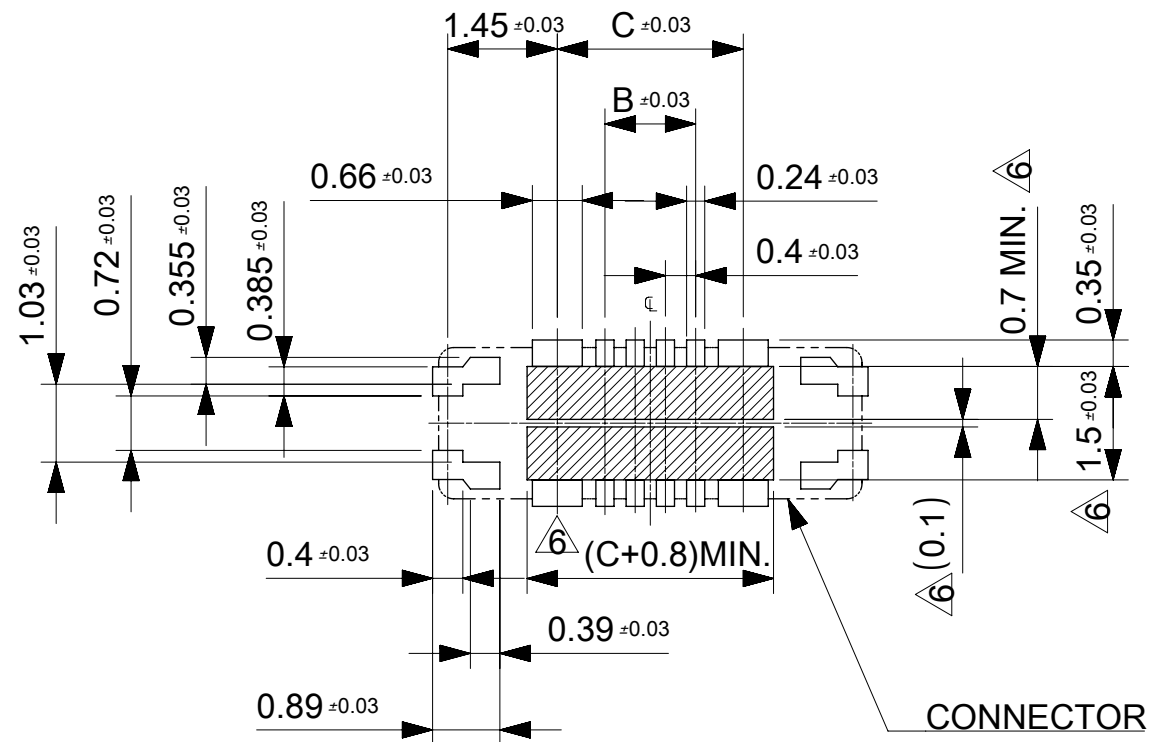
- MATERIAL**  
 HOUSING : LIQUID CRYSTAL POLYMER UL94V-0(COLOR : BLACK)  
 TERMINAL FOR SIGNAL CIRCUIT : COPPER ALLOY  
 TERMINAL FOR POWER CIRCUIT : COPPER ALLOY  
 FITTING NAIL : COPPER ALLOY
- PLATING**  
 TERMINAL FOR SIGNAL AND POWER CIRCUIT:  
 GOLD  
 UNDER PLATING : NICKEL  
 \*DIVIDE INTO PARTS THE GOLD PLATING OF THE CONTACT AND THE TAIL PART BY THE NICKEL PLATING.  
 FITTING NAIL:  
 GOLD(SOLDER TAIL)  
 UNDER PLATING : NICKEL
- △ APPLY FOR (CIRCUIT/2)=EVEN.
- MATE WITH:505476 SERIES.
- TAIL AND FITTING NAIL COPLANARITY TO BE 0.08 MAXIMUM.
- △ PROHIBITED AREA OF PATTERN WIRING AND SOLDER.  
 (FOR EACH AREA, THE WIRING THAT TOUCHES ON THE SOLDER CAN BE ATTACHED, THEN COVERED WITH A FILM TO KEEP SOLDER OUT.)
- ELV and RoHS COMPLIANT.

1.23	2.46	1.2	5.6	4	8	5054731210	---	---	12
1.03	2.06	0.8	5.2	4	6	5054731010	○	---	10
0.83	1.66	0.4	4.8	4	4	5054730810	○	---	8
D	C	B	A	FOR POWER	FOR SIGNAL	EMBOSSED TAPE PACKAGE	HIGH VOL. TOOL	LOW VOL. TOOL	CIRCUIT
USAGE						ORDER NO.	SAMPLE PREPARATION ○ : TOOLED △ : WORK IN PROCESS ---: TOOLING TO BE CONFIRMED		

CONNECTOR SERIES No. : 505473\*\*09

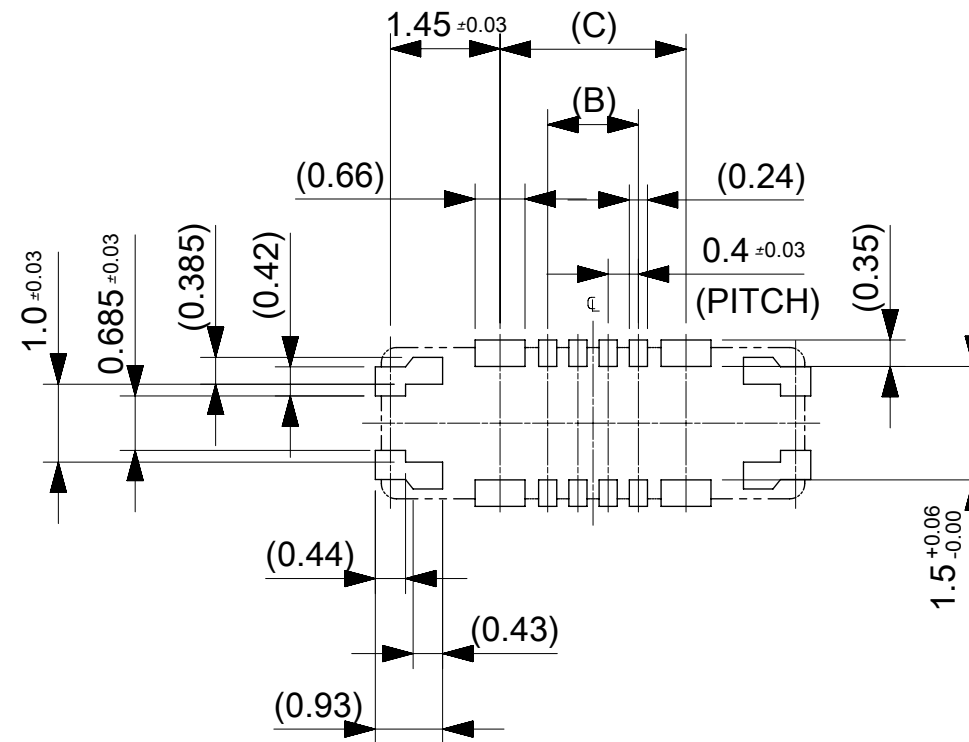
THIS DRAWING CONTAINS INFORMATION THAT IS PROPRIETARY TO MOLEX INCORPORATED AND SHOULD NOT BE USED WITHOUT WRITTEN PERMISSION

EC NO: 101345 DRWN: GMATSUNO CHK'D: KMORIKAWA APPR: KMORIKAWA	2015/07/16 2015/10/13 2015/10/13	GENERAL TOLERANCES (UNLESS SPECIFIED) ANGULAR TOL ± 3.0 °	DIMENSION UNITS: mm SCALE: 10:1					
	4 PLACES ± 0.03 3 PLACES ± 0.03 2 PLACES ± 0.05 1 PLACE ± 0.1 0 PLACES ± 0.2	DRWN BY: GMATSUNO DATE: 2015/07/16	CHK'D BY: KTANAKA03 DATE:		PRODUCT CUSTOMER DRAWING			
	DRAFT WHERE APPLICABLE MUST REMAIN WITHIN DIMENSIONS	APPR BY: KMORIKAWA DATE: 2015/10/13	DRAWING SIZE: A3 THIRD ANGLE PROJECTION			SERIES: 505473 MATERIAL NUMBER: SEE CHART CUSTOMER: GENERAL		
	A	REV:	D		C	B	A	DOCUMENT NUMBER: 5054731000 DOC TYPE: PSD DOC PART: 000 SHEET NUMBER: 1 OF 2



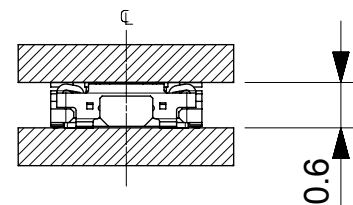
RECOMMENDED P.W.BOARD PATTERN LAYOUT (REFERENCE)

⚠ PROHIBITED AREA OF PATTERN WIRING AND SOLDER.  
 (FOR EACH AREA, THE WIRING THAT TOUCHES ON THE SOLDER CAN BE ATTACHED, THEN COVERED WITH A FILM TO KEEP SOLDER OUT.)



RECOMMENDED METAL MASK LAYOUT (REFERENCE)

RECOMMENDED THICKNESS OF METAL MASK : t=0.08mm  
 RECOMMENDED OPEN APERTURE RATIO OF METAL MASK :TAIL 100% , NAIL120%



MATED CONDITION

THIS DRAWING CONTAINS INFORMATION THAT IS PROPRIETARY TO MOLEX INCORPORATED AND SHOULD NOT BE USED WITHOUT WRITTEN PERMISSION

EC NO: 101345 DRWN: GMATSUNO CHK'D: KMORIKAWA APPR: KMORIKAWA	2015/07/16 2015/10/13 2015/10/13	GENERAL TOLERANCES (UNLESS SPECIFIED) ANGULAR TOL ± 3.0 °	DIMENSION UNITS: mm SCALE: 10:1			
	4 PLACES ± 0.03 3 PLACES ± 0.03 2 PLACES ± 0.05 1 PLACE ± 0.1 0 PLACES ± 0.2	DRWN BY: GMATSUNO DATE: 2015/07/16	PRODUCT CUSTOMER DRAWING			
	DRAFT WHERE APPLICABLE MUST REMAIN WITHIN DIMENSIONS	CHK'D BY: KTANAKA03 DATE:	SERIES: 505473 MATERIAL NUMBER: SEE CHART CUSTOMER: GENERAL			
	A	APPR BY: KMORIKAWA DATE: 2015/10/13	DRAWING SIZE: A3 THIRD ANGLE PROJECTION	DOCUMENT NUMBER: 5054731000 DOC TYPE: PSD DOC PART: 000 SHEET NUMBER: 2 OF 2		
	RELEASE STATUS: P1 RELEASE DATE: 2015/10/13 02:28:16					