

注記 NOTES

- ① 材料及び仕上げ (めっき仕様) : TABLE 1, TABLE 2 参照
MATERIAL AND FINISHES (PLATING SPECIFICATION) : SEE TABLE 1, TABLE 2.
- ② 嵌合相手 : 505432シリーズ
MATE WITH : 505432 SERIES
- ③ 端子テール部 及び ネイルの平坦度 : 0.12 MAXIMUM.
TAIL AND NAIL COPLANARITY TO BE 0.12 MAXIMUM.
- ④ 極数 / 2 = 偶数に適用。
APPLY FOR CIRCUIT SIZE / 2 = EVEN.
- ⑤ コネクタの仕様につきましては、
製品仕様書(5054320000PS002)を参照して下さい。
PLEASE REFER TO THE PRODUCT SPECIFICATION
(5054320000PS002)
ABOUT THE SPECIFICATION OF THE CONNECTOR.
- ⑥ 製品番号 MATERIAL No.

極数 CIRCUIT SIZE	番号 NO.	ハウジングカラー HOUSING COLOR
番号 NO.	カバーテープ COVER TAPE	
7	無 WITHOUT	
8	有 WITH	
	0	ナチュラル (ベージュ) NATURAL (BEIGE)
	1	黒 BLACK
	2	赤 RED
	4	青 BLUE
	6	緑 GREEN

49.4	45.4	20.2	44	5	26.25	29.4	25	30.85	42
					25	28.15	23.75	29.6	40
					23.75	26.9	22.5	28.35	38
					22.5	25.65	21.25	27.1	36
					21.25	24.4	20	25.85	34
					20	23.15	18.75	24.6	32
					18.75	21.9	17.5	23.35	30
					17.5	20.65	16.25	22.1	28
					16.25	19.4	15	20.85	26
				37.4	33.4	14.2	32	4.2	15
	13.75	16.9	12.5					18.35	22
	12.5	15.65	11.25					17.1	20
	11.25	14.4	10					15.85	18
	10	13.15	8.75					14.6	16
	8.75	11.9	7.5					13.35	14
	7.5	10.65	6.25					12.1	12
	6.25	9.4	5					10.85	10
	5	8.15	3.75					9.6	8
J	H	G	F					E	D

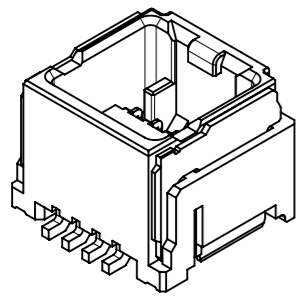
① TABLE 1

番号 NO.	部品 PART	材質 MATERIAL
①	ハウジング HOUSING	ポリアミド(PA) UL94V-0 色 : 注記6参照 POLY AMIDE(PA) UL94V-0 COLOR : SEE NOTE 6
②	ターミナル 及び ネイル TERMINAL AND NAIL	黄銅 BRASS 錫ビスマスめっき : 1.0 micro-meter MINIMUM MATTE TIN-BISMUTH PLATING ニッケルめっき (下地) : 1.0 micro-meter MINIMUM NICKEL (UNDER PLATING)
④	カバーテープ COVER TAPE	ポリイミド POLYIMIDE

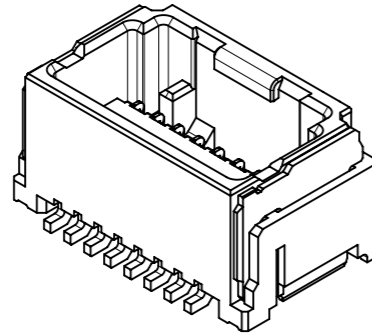
THIS DRAWING CONTAINS INFORMATION THAT IS PROPRIETARY TO MOLEX ELECTRONIC TECHNOLOGIES, LLC AND SHOULD NOT BE USED WITHOUT WRITTEN PERMISSION

DIMENSION UNITS mm	SCALE NTS	CURRENT REV DESC:		molex		
GENERAL TOLERANCES (UNLESS SPECIFIED)						
ANGULAR TOL ± 3.0°		EC NO: 620885		MICRO-LOCK PLUS 1.25 W/B DUAL ROW VERTICAL SMT PLUG ASSEMBLY		
4 PLACES ± 0.2		DRWN: TAKAIKE	2019/06/17			
3 PLACES ± 0.2		CHK'D: SAKIYAMA	2019/07/19	PRODUCT CUSTOMER DRAWING		
2 PLACES ± 0.2		APPR: KOMURAKAMI	2019/07/31			
1 PLACE ± 0.2		INITIAL REVISION:		DOCUMENT NUMBER 5054330000		
0 PLACES ± 0.2		DRWN: TAKAIKE	2016/12/26			
DRAFT WHERE APPLICABLE MUST REMAIN WITHIN DIMENSIONS	THIRD ANGLE PROJECTION	DRAWING A3-SIZE	SERIES 505433	MATERIAL NUMBER SEE SHEET4	CUSTOMER GENERAL	SHEET NUMBER 1 OF 4

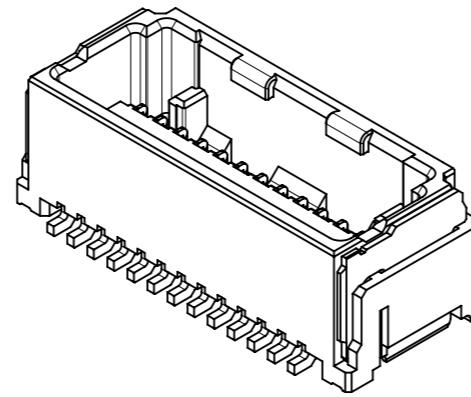
製品形状
PRODUCT SHAPE



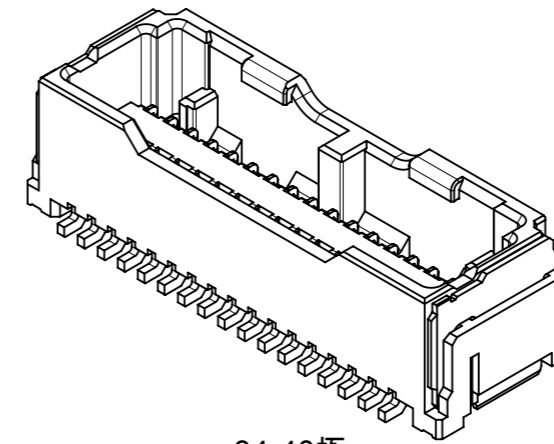
8-14極
8-14 CIRCUIT



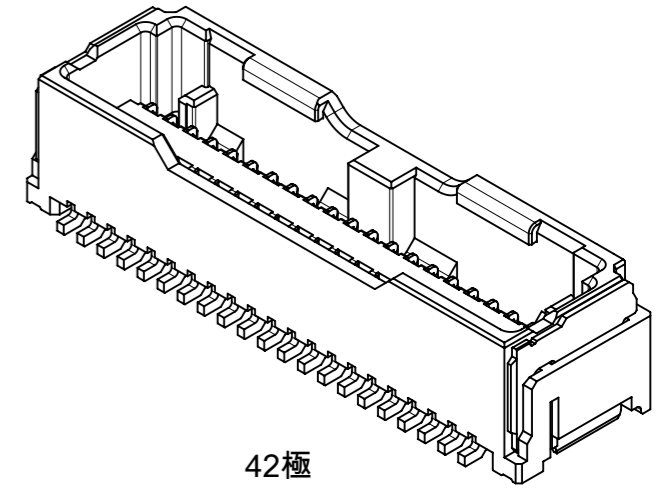
16-24極
16-24 CIRCUIT



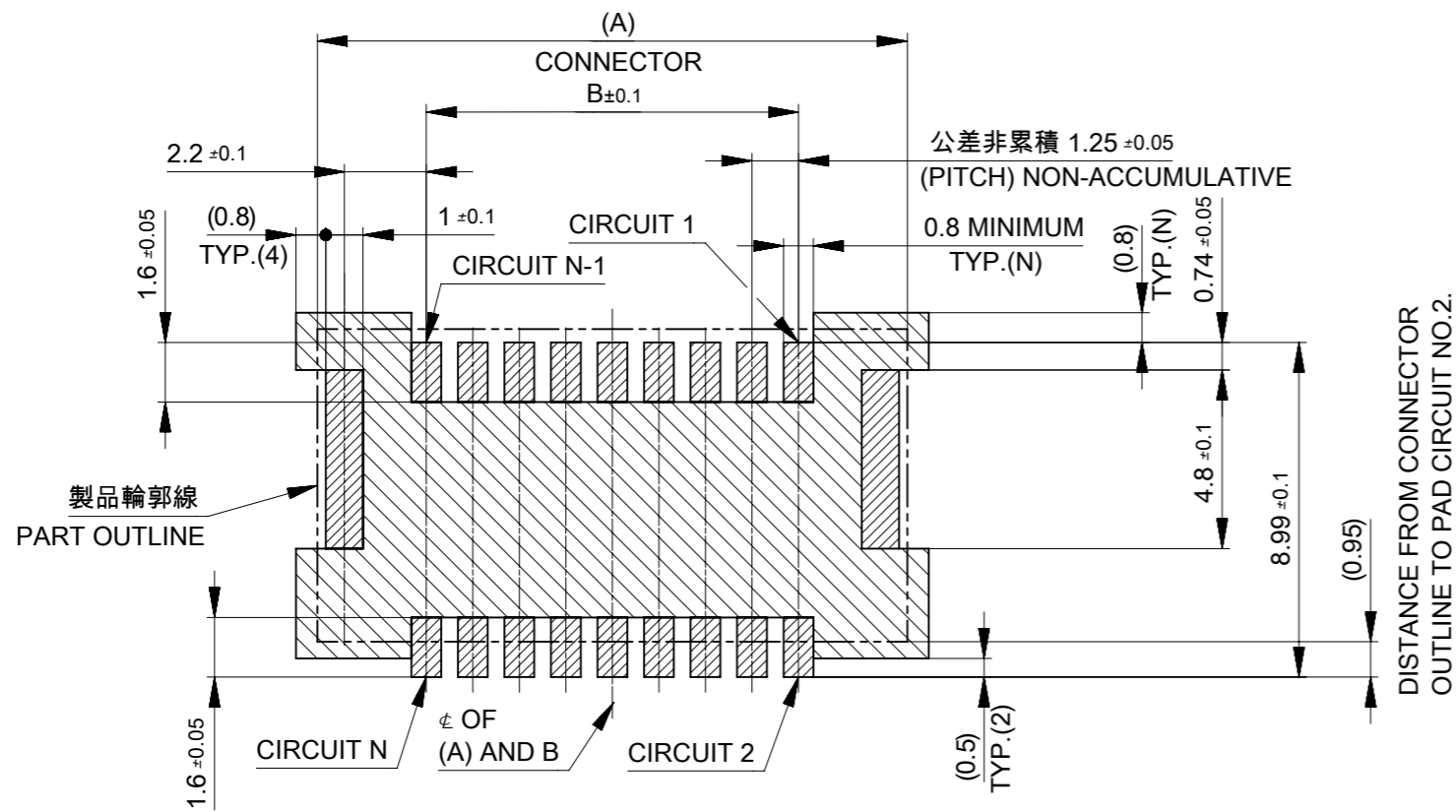
26-32極
26-32 CIRCUIT



34-40極
34-40 CIRCUIT



42極
42 CIRCUIT



基板パターンレイアウト (参考)

(参考: 基板厚 1.6mm, メタルマスク厚さ 0.15mm, マスク開口率 100%)

RECOMMEND PWB LAYOUT : COMPONENT SIDE

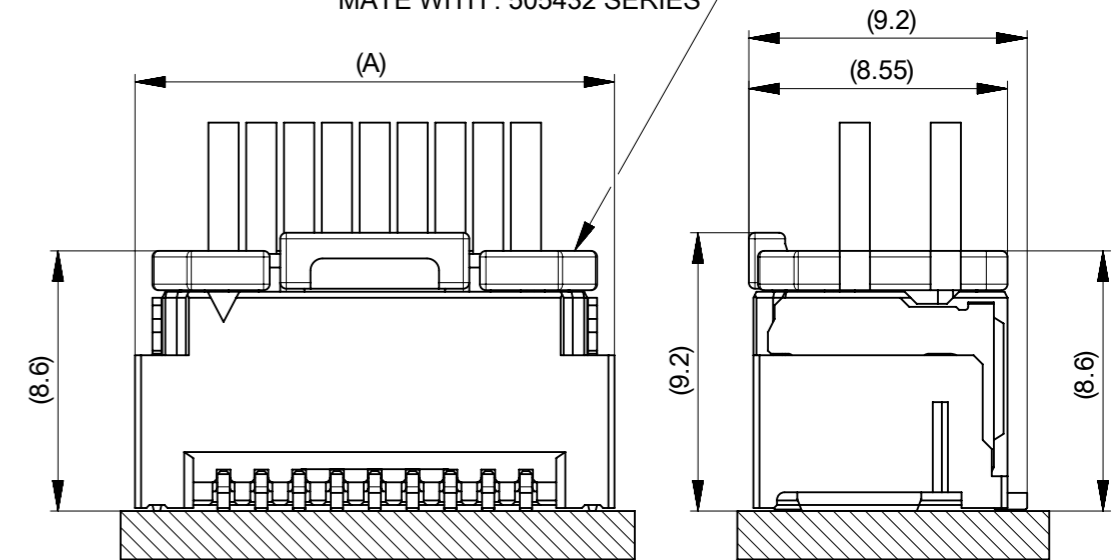
(REFERENCE : PWB THICKNESS 1.6mm, STENCIL THICKNESS 0.15mm, APERTURE RATIO 100%)

パターン非推奨エリア

パターンを引き回す際は、製品機能に影響がないことをご確認ください。
PATTERN IS NOT RECOMMENDED ON THE HATCHING AREA
PLEASE CHECK NOT TO HAVE PROBLEM FOR PRODUCT FUNCTION
WHEN SETTING PATTERN ON THE HATCHING AREA.

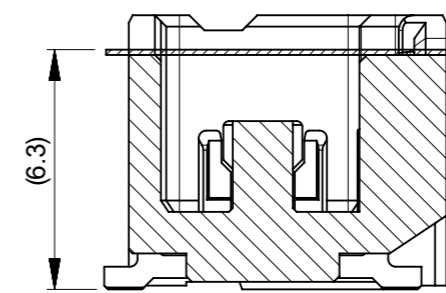
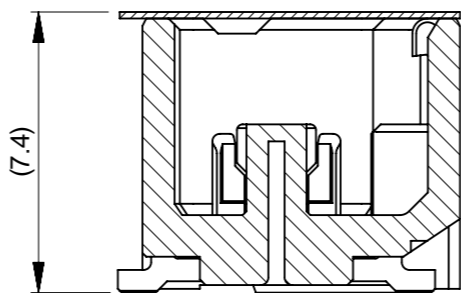
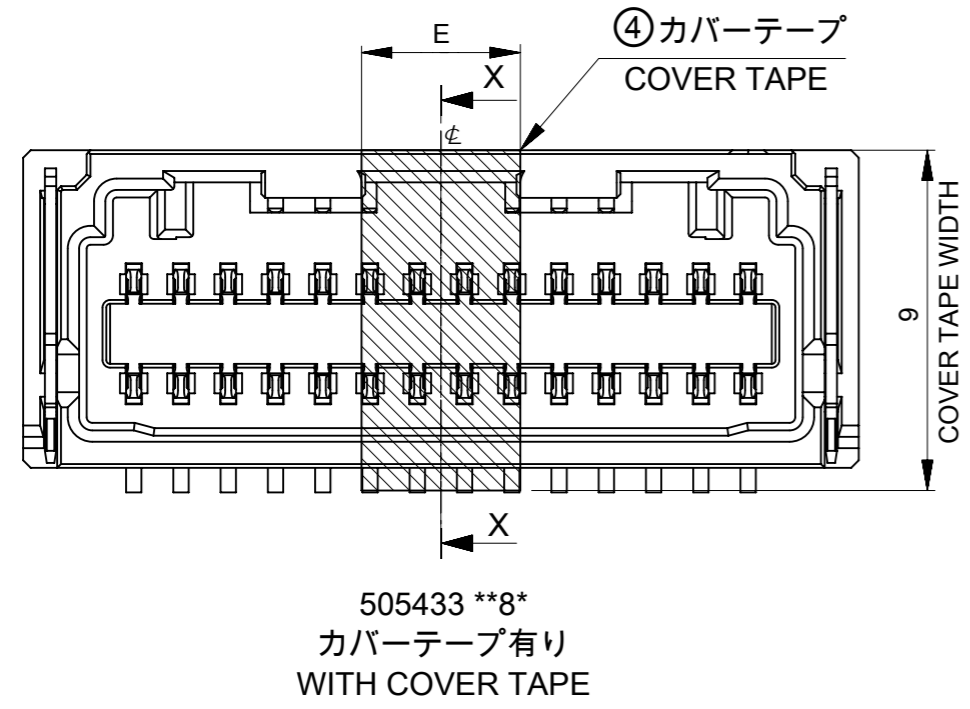
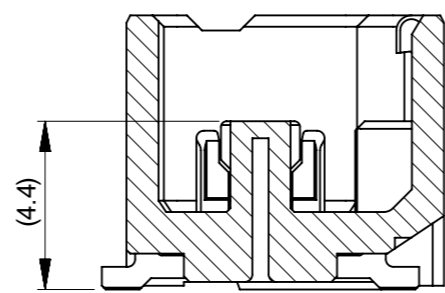
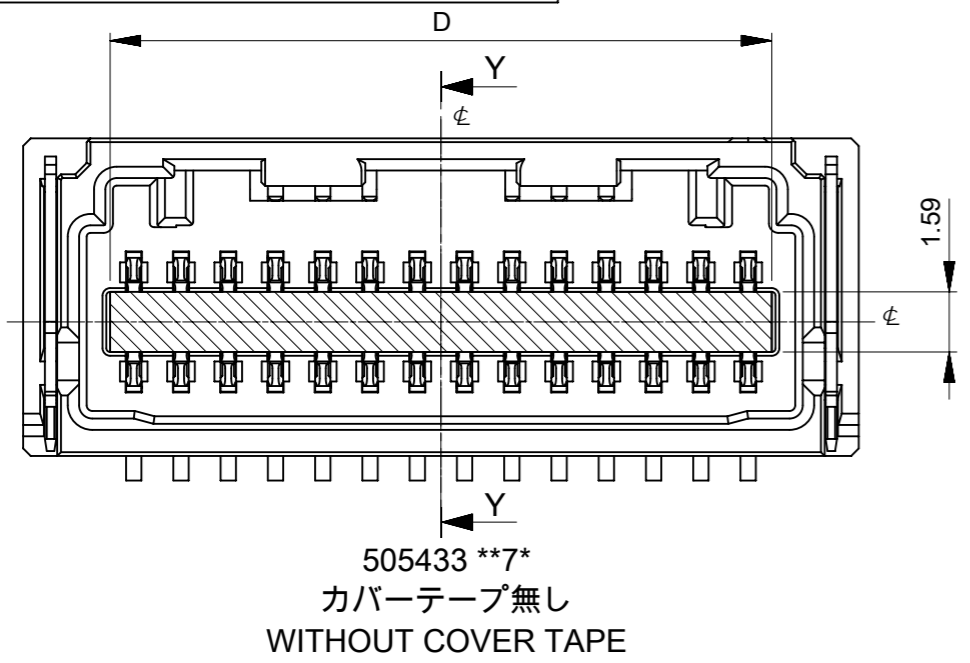
嵌合状態図
MATED CONNECTORS

△ 嵌合相手 : 505432シリーズ
MATE WITH : 505432 SERIES



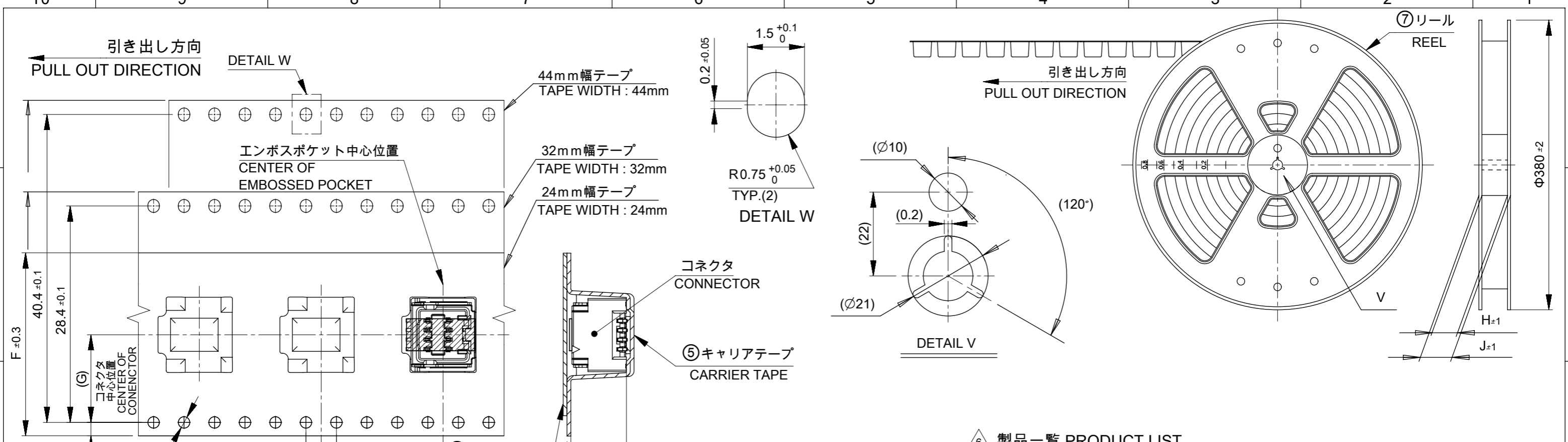
THIS DRAWING CONTAINS INFORMATION THAT IS PROPRIETARY TO MOLEX ELECTRONIC TECHNOLOGIES, LLC AND SHOULD NOT BE USED WITHOUT WRITTEN PERMISSION		CURRENT REV DESC:		molex	
DIMENSION UNITS	SCALE				
mm	NTS			MICRO-LOCK PLUS 1.25 W/B DUAL ROW VERTICAL SMT PLUG ASSEMBLY	
GENERAL TOLERANCES (UNLESS SPECIFIED)		EC NO: 620885		DOCUMENT NUMBER	
ANGULAR TOL	± 3.0°	DRWN: TAKAIKE	2019/06/17	5054330000	
4 PLACES	± 0.2	CHK'D: SAKIYAMA	2019/07/19	DOC TYPE	DOC PART
3 PLACES	± 0.2	APPR: KOMURAKAMI	2019/07/31	PSD	000
2 PLACES	± 0.2	INITIAL REVISION:		REVISION	
1 PLACE	± 0.2	DRWN: TAKAIKE	2016/12/26	C	
0 PLACES	± 0.2	APPR: TKANEKO	2016/12/28		
DRAFT WHERE APPLICABLE MUST REMAIN WITHIN DIMENSIONS		THIRD ANGLE PROJECTION	DRAWING	SERIES	MATERIAL NUMBER
			A3-SIZE	505433	CUSTOMER
				SEE SHEET4	SHEET NUMBER
				GENERAL	2 OF 4

吸着エリア違い
VACUUM AREA DIFFERENCE



8-32 CIRCUIT
SECTION X-X
吸着テープ高さ COVER TAPE HEIGHT
34-42 CIRCUIT

THIS DRAWING CONTAINS INFORMATION THAT IS PROPRIETARY TO MOLEX ELECTRONIC TECHNOLOGIES, LLC AND SHOULD NOT BE USED WITHOUT WRITTEN PERMISSION									
DIMENSION UNITS mm		SCALE NTS		CURRENT REV DESC:				molex	
GENERAL TOLERANCES (UNLESS SPECIFIED)				EC NO: 620885					
ANGULAR TOL ± 3.0°				DRWN: TAKAIKE		2019/06/17		MICRO-LOCK PLUS 1.25 W/B DUAL ROW VERTICAL SMT PLUG ASSEMBLY	
4 PLACES ± 0.2				CHK'D: SAKIYAMA		2019/07/19		PRODUCT CUSTOMER DRAWING	
3 PLACES ± 0.2				APPR: KOMURAKAMI		2019/07/31		DOCUMENT NUMBER	
2 PLACES ± 0.2				INITIAL REVISION:				5054330000	
1 PLACE ± 0.2				DRWN: TAKAIKE		2016/12/26		DOC TYPE	
0 PLACES ± 0.2				APPR: TKANEKO		2016/12/28		DOC PART	
DRAFT WHERE APPLICABLE MUST REMAIN WITHIN DIMENSIONS				THIRD ANGLE PROJECTION		DRAWING		REVISION	
				A3-SIZE		SERIES		C	
				505433		MATERIAL NUMBER		GENERAL	
				SEE SHEET 4		CUSTOMER		SHEET NUMBER	
						GENERAL		3 OF 4	

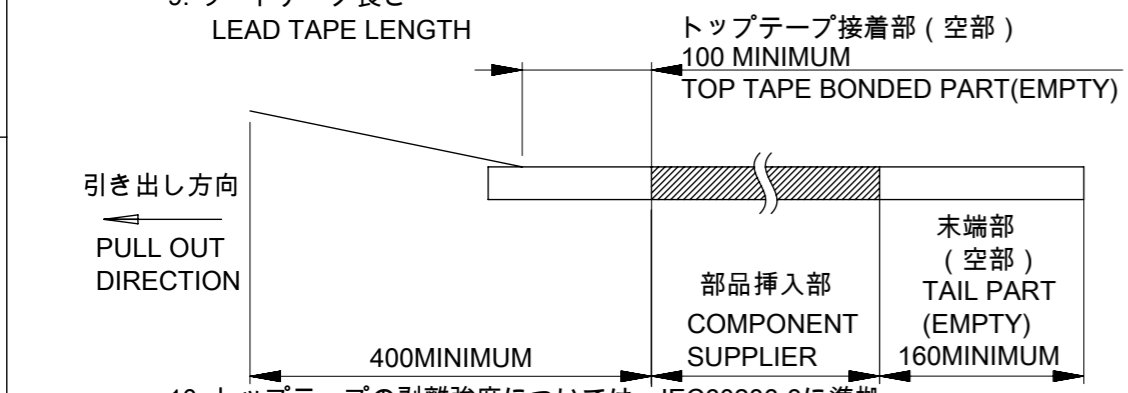


△ 製品一覧 PRODUCT LIST

無 WITHOUT					有 WITH					COVER TAPE
GREEN	BLUE	RED	BLACK	NATURAL (BEIGE)	GREEN	BLUE	RED	BLACK	NATURAL (BEIGE)	HOUSING COLOR
5054334276	5054334274	5054334272	5054334271	5054334270	5054334286	5054334284	5054334282	5054334281	5054334280	42
5054334076	5054334074	5054334072	5054334071	5054334070	5054334086	5054334084	5054334082	5054334081	5054334080	40
5054333876	5054333874	5054333872	5054333871	5054333870	5054333886	5054333884	5054333882	5054333881	5054333880	38
5054333676	5054333674	5054333672	5054333671	5054333670	5054333686	5054333684	5054333682	5054333681	5054333680	36
5054333476	5054333474	5054333472	5054333471	5054333470	5054333486	5054333484	5054333482	5054333481	5054333480	34
5054333276	5054333274	5054333272	5054333271	5054333270	5054333286	5054333284	5054333282	5054333281	5054333280	32
5054333076	5054333074	5054333072	5054333071	5054333070	5054333086	5054333084	5054333082	5054333081	5054333080	30
5054332876	5054332874	5054332872	5054332871	5054332870	5054332886	5054332884	5054332882	5054332881	5054332880	28
5054332676	5054332674	5054332672	5054332671	5054332670	5054332686	5054332684	5054332682	5054332681	5054332680	26
5054332476	5054332474	5054332472	5054332471	5054332470	5054332486	5054332484	5054332482	5054332481	5054332480	24
5054332276	5054332274	5054332272	5054332271	5054332270	5054332286	5054332284	5054332282	5054332281	5054332280	22
5054332076	5054332074	5054332072	5054332071	5054332070	5054332086	5054332084	5054332082	5054332081	5054332080	20
5054331876	5054331874	5054331872	5054331871	5054331870	5054331886	5054331884	5054331882	5054331881	5054331880	18
5054331676	5054331674	5054331672	5054331671	5054331670	5054331686	5054331684	5054331682	5054331681	5054331680	16
5054331476	5054331474	5054331472	5054331471	5054331470	5054331486	5054331484	5054331482	5054331481	5054331480	14
5054331276	5054331274	5054331272	5054331271	5054331270	5054331286	5054331284	5054331282	5054331281	5054331280	12
5054331076	5054331074	5054331072	5054331071	5054331070	5054331086	5054331084	5054331082	5054331081	5054331080	10
5054330876	5054330874	5054330872	5054330871	5054330870	5054330886	5054330884	5054330882	5054330881	5054330880	8

NOTES

- 7. 梱包数量 : 500個
NUMBER OF CONNECTORS : 500 PIECES/REEL.
- 8. 梱包仕様書 : 5054339200 PS 200
PACKING SPECIFICATION : 5054339200 PS 200
- 9. リードテープ長さ
LEAD TAPE LENGTH



10. トップテープの剥離強度については、IEC60286-3に準拠
TOP TAPE PEEL FORCE IS DEFINED BY IEC 60286-3.

△ TABLE 2

番号 NO.	部品 PART	材質 MATERIAL
⑤	キャリアテープ CARRIER TAPE	ポリスチレン(PS) POLYSTYRENE(PS)
⑥	トップテープ TOP TAPE	ポリエチレン(PE)、その他 POLYETHYLENE(PE), OTHER
⑦	リール REEL	ポリスチレン(PS) <リサイクル材を含む> POLYSTYRENE(PS) < RECYCLE MATERIAL CONTAINED >

DOCUMENT STATUS	P1	RELEASE DATE	2019/07/31	10:52:36
-----------------	----	--------------	------------	----------

発注番号 ORDER NO.

キャリアテープ梱包
PACKAGING STYLE : CARRIER TAPE AND REEL

極数
CIRCUIT SIZE

THIS DRAWING CONTAINS INFORMATION THAT IS PROPRIETARY TO MOLEX ELECTRONIC TECHNOLOGIES, LLC AND SHOULD NOT BE USED WITHOUT WRITTEN PERMISSION

DIMENSION UNITS	SCALE	CURRENT REV DESC:	
mm	NTS		
GENERAL TOLERANCES (UNLESS SPECIFIED)		molex	
ANGULAR TOL	± 3.0°	MICRO-LOCK PLUS 1.25 W/B DUAL ROW VERTICAL SMT PLUG ASSEMBLY	
4 PLACES	± 0.2	PRODUCT CUSTOMER DRAWING	
3 PLACES	± 0.2	DOCUMENT NUMBER	
2 PLACES	± 0.2	5054330000	
1 PLACE	± 0.2	DOC TYPE	
0 PLACES	± 0.2	PSD	
DRAFT WHERE APPLICABLE MUST REMAIN WITHIN DIMENSIONS		SHEET NUMBER	
THIRD ANGLE PROJECTION		4 OF 4	
DRAWING		SERIES	
A3-SIZE		505433	
MATERIAL NUMBER		CUSTOMER	
SEE SHEET4		GENERAL	