

ターミナル装着図  
TERMINAL ASSEMBLY DRAWING

注記 NOTES

- 1 材料 : TABLE 1参照  
MATERIAL : SEE TABLE 1.
- 2 偶数極に適用。  
APPLY FOR EVEN CIRCUIT.
- 3 製品仕様書、コネクタ取扱説明書、適用嵌合相手、適用端子は SHEET 3をご参照ください。  
PLEASE REFER TO SHEET 3 FOR PRODUCT SPECIFICATION, APPLICATION SPECIFICATION, MATE WITH, APPLICABLE TERMINAL.
- 4 発注番号 ORDER NUMBER

505432 \*\* 0 \*

極数 CIRCUIT SIZE	↑	↑	番号 NO.	ハウジングカラー HOUSING COLOR
			0	ナチュラル ( ベージュ ) NATURAL (BEIGE)
			1	黒 BLACK
			2	赤 RED
			4	青 BLUE
			6	緑 GREEN

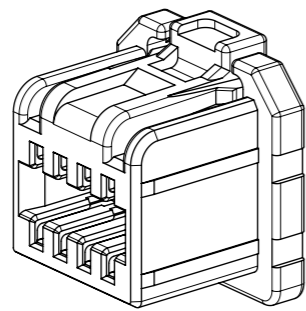
25	29.7	42
23.75	28.45	40
22.5	27.2	38
21.25	25.95	36
20	24.7	34
18.75	23.45	32
17.5	22.2	30
16.25	20.95	28
15	19.7	26
13.75	18.45	24
12.5	17.2	22
11.25	15.95	20
10	14.7	18
8.75	13.45	16
7.5	12.2	14
6.25	10.95	12
5	9.7	10
3.75	8.45	8
B	A	極数 CIRCUIT SIZE

TABLE 1

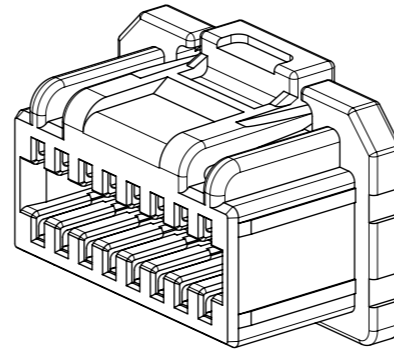
部品 PART	材質 MATERIAL
ハウジング HOUSING	PBT UL94V-0 色 : SHEET3参照 PBT UL94V-0 COLOR:SEE SHEET 3.
DOCUMENT STATUS	P1 RELEASE DATE 2020/01/21 07:57:33

THIS DRAWING CONTAINS INFORMATION THAT IS PROPRIETARY TO MOLEX ELECTRONIC TECHNOLOGIES, LLC AND SHOULD NOT BE USED WITHOUT WRITTEN PERMISSION		CURRENT REV DESC: REVISED		<b>molex</b>	
DIMENSION UNITS mm	SCALE NTS	EC NO: 630688			
GENERAL TOLERANCES (UNLESS SPECIFIED)		DRWN: TENAGASE 2020/01/17		MICRO-LOCK PLUS 1.25 W/B DUAL ROW RECEPTACLE HOUSING	
ANGULAR TOL ± 3.0°		CHK'D: SAKIYAMA 2020/01/21		PRODUCT CUSTOMER DRAWING	
4 PLACES ± 0.2		APPR: KOMURAKAMI 2020/01/21		DOCUMENT NUMBER	
3 PLACES ± 0.2		INITIAL REVISION:		5054320000	
2 PLACES ± 0.2		DRWN: TAKAIKE 2017/02/10		DOC TYPE DOC PART REVISION	
1 PLACE ± 0.2		APPR: TKANEKO 2017/04/03		PSD 000 F	
0 PLACES ± 0.2		DRAFT WHERE APPLICABLE MUST REMAIN WITHIN DIMENSIONS		MATERIAL NUMBER	
THIRD ANGLE PROJECTION		DRAWING		CUSTOMER	
A3-SIZE		SERIES		SHEET NUMBER	
505432		SEE SHEET 3		GENERAL	
1 OF 3					

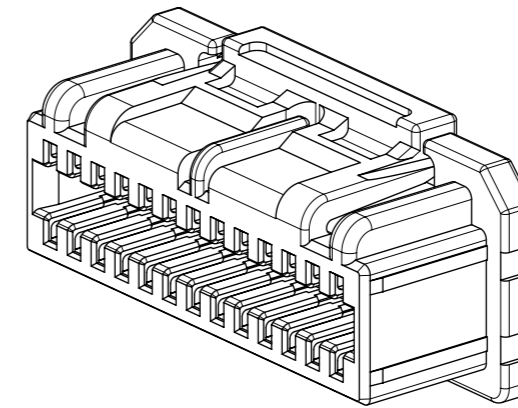
製品形状  
PRODUCT SHAPE



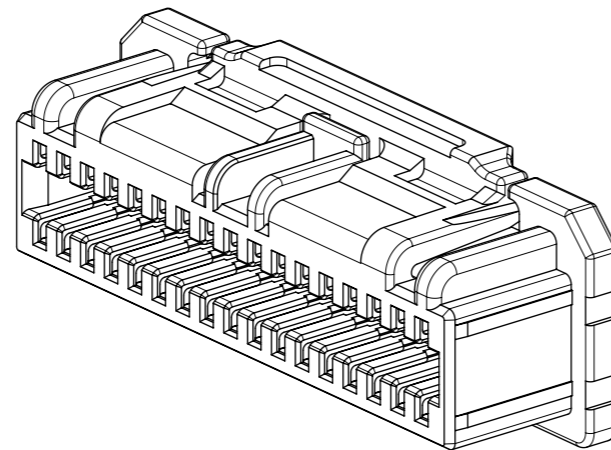
8-14極  
8-14 CIRCUIT



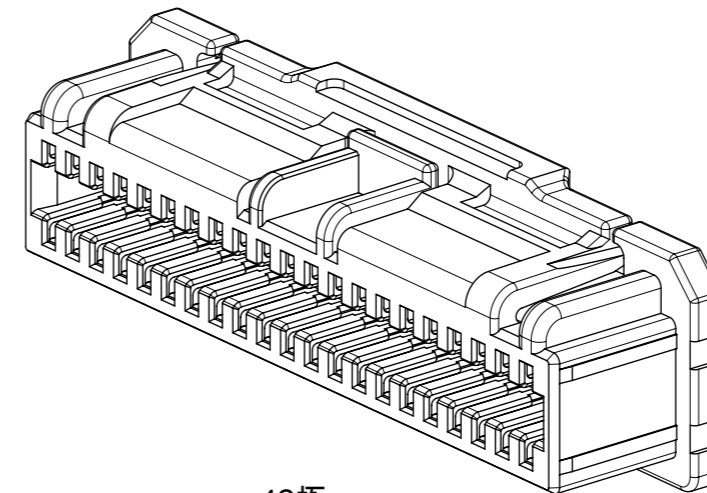
16-24極  
16-24 CIRCUIT



26-32極  
26-32 CIRCUIT



34-40極  
34-40 CIRCUIT



42極  
42 CIRCUIT

THIS DRAWING CONTAINS INFORMATION THAT IS PROPRIETARY TO MOLEX ELECTRONIC TECHNOLOGIES, LLC AND SHOULD NOT BE USED WITHOUT WRITTEN PERMISSION									
DIMENSION UNITS		SCALE		CURRENT REV DESC: REVISED				<b>molex</b>	
mm		NTS							
GENERAL TOLERANCES (UNLESS SPECIFIED)									
ANGULAR TOL		± 3.0 °		EC NO: 630688					
4 PLACES		± 0.2		DRWN: TENAGASE		2020/01/17			
3 PLACES		± 0.2		CHK'D: SAKIYAMA		2020/01/21			
2 PLACES		± 0.2		APPR: KOMURAKAMI		2020/01/21			
1 PLACE		± 0.2		INITIAL REVISION:					
0 PLACES		± 0.2		DRWN: TAKAIKE		2017/02/10			
				APPR: TKANEKO		2017/04/03			
DRAFT WHERE APPLICABLE MUST REMAIN WITHIN DIMENSIONS				THIRD ANGLE PROJECTION		DRAWING		SERIES	
						A3-SIZE		505432	
				MATERIAL NUMBER		CUSTOMER		SHEET NUMBER	
				5054320000		GENERAL		2 OF 3	

△ 3 適用製品及び各種仕様書 APPLICABLE PRODUCTS AND VARIOUS SPECIFICATIONS

梱包仕様書 PACKAGING SPECIFICATION	製品番号 PART NUMBER	仕様書番号 SPECIFICATION NUMBER		
	505432**0*	5054329200 PS 200		
適用端子 APPLICABLE TERMINAL	製品番号 PART NUMBER	めっきタイプ PLATING TYPE	電線サイズ WIRE SIZE(AWG)	
	5054311000	TIN		
	5054311*00 1,2,3 ↑	GOLD		
適用嵌合相手 MATE WITH	TIN PLATING		GOLD PLATING	
	VERTICAL	RIGHT ANGLE	VERTICAL	RIGHT ANGLE
シリーズ番号 SERIES NUMBER	505433**** 7,8 ↑	505448**7*	505433**** 2,3,4,5,6,9 ↑	505448**** 3,5,9 ↑
製品仕様書 PRODUCT SPECIFICATION	5054320000 PS 002		5054320000 PS 006	
コネクタ取扱説明書 APPLICATION SPECIFICATION	AS-505432-001 (ENGLISH/JAPANESE)			

△ 4 505432\*\*0\* 発注番号一覧 ORDER NUMBER LIST

緑 GREEN	青 BLUE	赤 RED	黒 BLACK	ナチュラル ( ベージュ ) NATURAL(BEIGE)	ハウジングカラー HOUSING COLOR
5054324206	5054324204	5054324202	5054324201	5054324200	42
5054324006	5054324004	5054324002	5054324001	5054324000	40
5054323806	5054323804	5054323802	5054323801	5054323800	38
5054323606	5054323604	5054323602	5054323601	5054323600	36
5054323406	5054323404	5054323402	5054323401	5054323400	34
5054323206	5054323204	5054323202	5054323201	5054323200	32
5054323006	5054323004	5054323002	5054323001	5054323000	30
5054322806	5054322804	5054322802	5054322801	5054322800	28
5054322606	5054322604	5054322602	5054322601	5054322600	26
5054322406	5054322404	5054322402	5054322401	5054322400	24
5054322206	5054322204	5054322202	5054322201	5054322200	22
5054322006	5054322004	5054322002	5054322001	5054322000	20
5054321806	5054321804	5054321802	5054321801	5054321800	18
5054321606	5054321604	5054321602	5054321601	5054321600	16
5054321406	5054321404	5054321402	5054321401	5054321400	14
5054321206	5054321204	5054321202	5054321201	5054321200	12
5054321006	5054321004	5054321002	5054321001	5054321000	10
5054320806	5054320804	5054320802	5054320801	5054320800	8
発注番号 ORDER NUMBER					極数 CIRCUIT SIZE
梱包形態 : ポリ袋 PACKAGING : POLYBAG PACKAGE					

THIS DRAWING CONTAINS INFORMATION THAT IS PROPRIETARY TO MOLEX ELECTRONIC TECHNOLOGIES, LLC AND SHOULD NOT BE USED WITHOUT WRITTEN PERMISSION	
DIMENSION UNITS mm	SCALE NTS
CURRENT REV DESC: REVISED	
<b>molex</b>	
MICRO-LOCK PLUS 1.25 W/B DUAL ROW RECEPTACLE HOUSING	
PRODUCT CUSTOMER DRAWING	
GENERAL TOLERANCES (UNLESS SPECIFIED)	EC NO: 630688
ANGULAR TOL ± 3.0 °	DRWN: TENAGASE 2020/01/17
4 PLACES ± 0.2	CHK'D: SAKIYAMA 2020/01/21
3 PLACES ± 0.2	APPR: KOMURAKAMI 2020/01/21
2 PLACES ± 0.2	INITIAL REVISION:
1 PLACE ± 0.2	DRWN: TAKAIKE 2017/02/10
0 PLACES ± 0.2	APPR: TKANEKO 2017/04/03
DRAFT WHERE APPLICABLE MUST REMAIN WITHIN DIMENSIONS	THIRD ANGLE PROJECTION
DRAWING A3-SIZE	SERIES 505432
MATERIAL NUMBER SEE SHEET 3	CUSTOMER GENERAL
DOCUMENT NUMBER 5054320000	DOC TYPE PSD
DOC PART 000	REVISION F
SHEET NUMBER 3 OF 3	