

NOTES

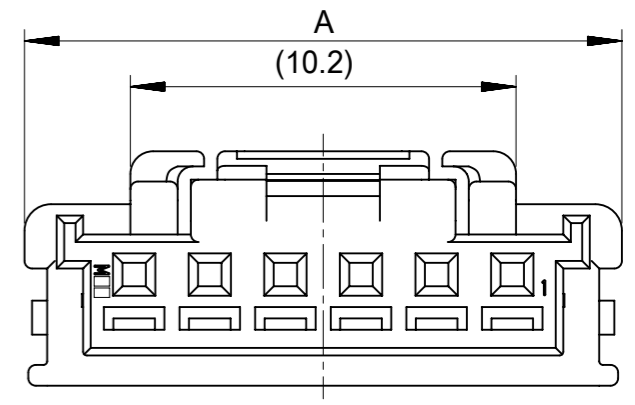
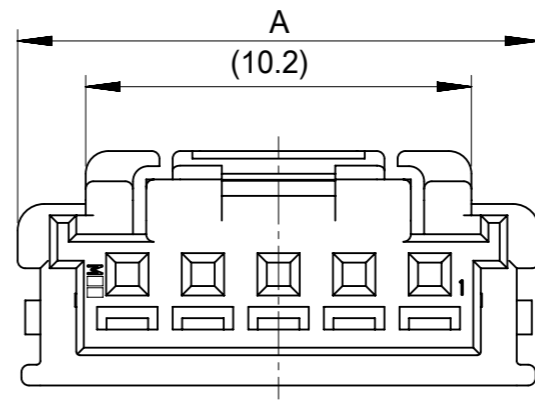
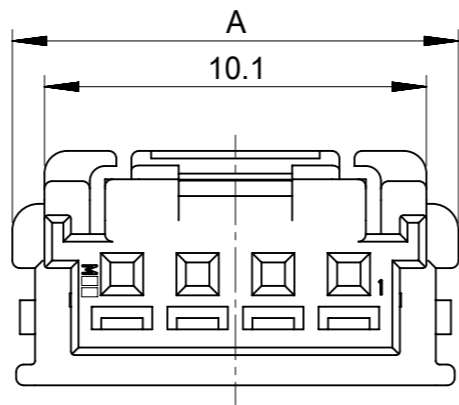
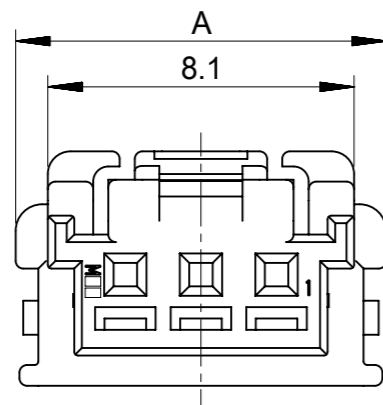
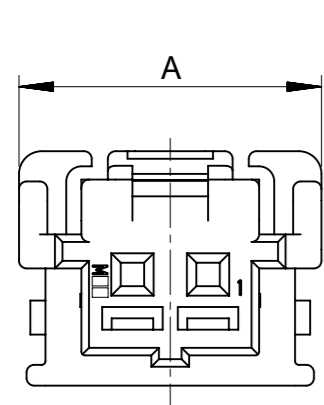
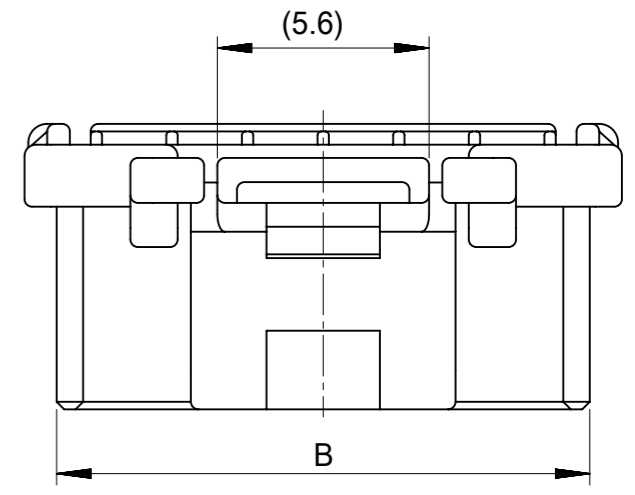
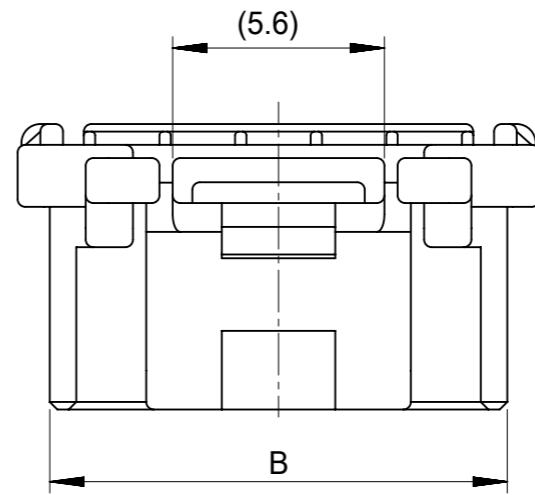
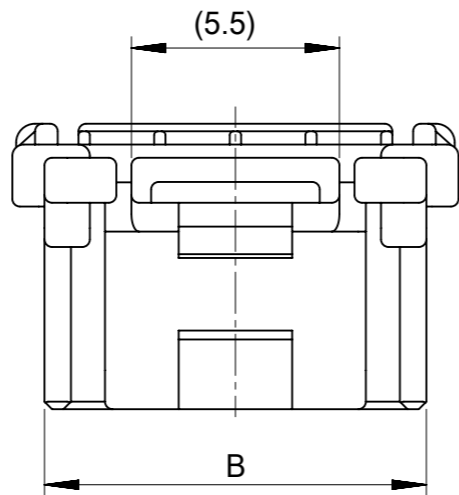
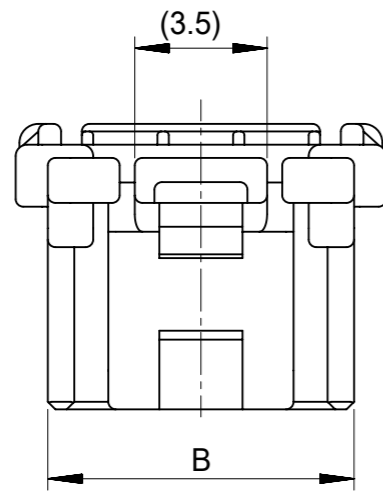
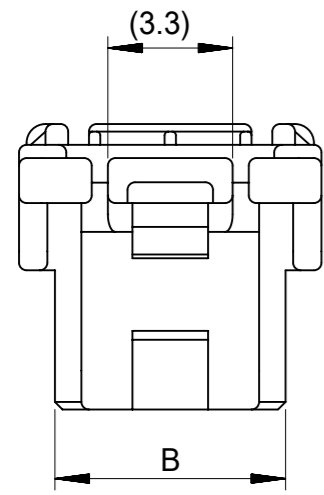
- 1.材料 : PA,UL94V-2
MATERIAL:PA,UL94V-2
- 2.色 : 黒、白、詳細はシート4の表を参照
COLOR:BLACK,WHITE, SEE CHART OF SHEET4
- 3.嵌合端子 : 505153,505487シリーズ
APPLICABLE TERMINAL:505153,505487 SERIES
- 4.嵌合相手 : 502352,560020シリーズ
MATE WITH: 502352, 560020 SERIES
- 5.適合リテーナー : 505152シリーズ
APPLICABLE RETAINER: 505152 SERIES
- 6.ELV 及びRoHS適合
ELV AND RoHS COMPLIANT

34	34	32.1	33.8	505151150*	15
32	32	30.1	31.8	505151140*	14
30	30	28.1	29.8	505151130*	13
28	28	26.1	27.8	505151120*	12
26	26	24.1	25.8	505151110*	11
24	24	22.1	23.8	505151100*	10
22	22	20.1	21.8	505151090*	9
22.6	20	18.1	19.8	505151080*	8
20.6	18	16.1	17.8	505151070*	7
18.6	16	14.1	15.8	505151060*	6
16.6	14	12.1	13.8	505151050*	5
14.6	12	10.1	11.8	505151040*	4
12.6	10	8.1	9.8	505151030*	3
10.9	8	6.1	8.0	505151020*	2
D	C	B	A	MATERIAL NO.	CIRCUIT

THIS DRAWING CONTAINS INFORMATION THAT IS PROPRIETARY TO MOLEX ELECTRONIC TECHNOLOGIES, LLC AND SHOULD NOT BE USED WITHOUT WRITTEN PERMISSION

DIMENSION UNITS	SCALE	CURRENT REV DESC:	
mm	5:1		
GENERAL TOLERANCES (UNLESS SPECIFIED)		EC NO: 175347	
ANGULAR TOL ± 3.0°		DRWN: TMORISHITA	2018/04/20
4 PLACES ± 0.2		CHK'D: HKOMATSU	2018/04/20
3 PLACES ± 0.25		APPR: TOSADA	2018/04/20
2 PLACES ± 0.3		INITIAL REVISION:	
1 PLACE ± 0.1		DRWN: MIKEDA01	2014/03/03
0 PLACES ±		APPR: NUKITA	2014/03/28
DRAFT WHERE APPLICABLE MUST REMAIN WITHIN DIMENSIONS		THIRD ANGLE PROJECTION	DRAWING
		SERIES	MATERIAL NUMBER
		A3-SIZE	505151
		CUSTOMER	SEE SHEET 4
		DOC TYPE	PSD
		DOC PART	001
		REVISION	E1
		SHEET NUMBER	1 OF 4

0.25 UNDER	±0.03
0.25 OVER 0.5 UNDER	±0.05
0.5 OVER 1.0 UNDER	±0.1
1.0 OVER 10 UNDER	±0.2
10 OVER 30 UNDER	±0.25
30 OVER	±0.3



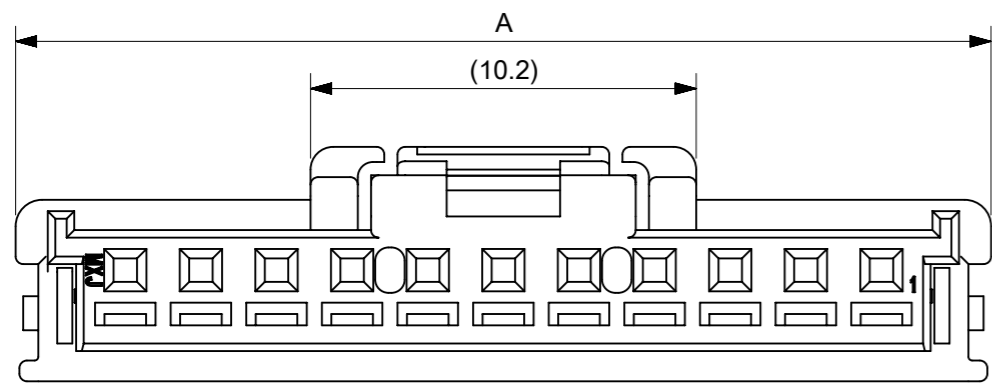
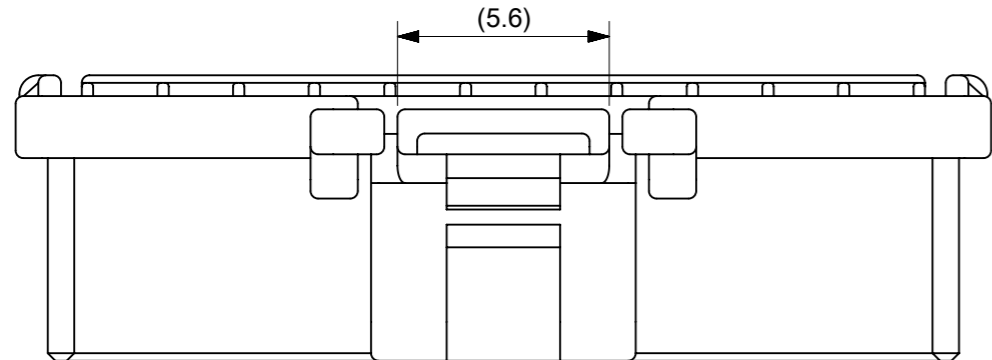
2 CKTS

3 CKTS

4 CKTS

5 CKTS

6-10 CKTS



11 CKT OR MORE

THIS DRAWING CONTAINS INFORMATION THAT IS PROPRIETARY TO MOLEX ELECTRONIC TECHNOLOGIES, LLC AND SHOULD NOT BE USED WITHOUT WRITTEN PERMISSION

DIMENSION UNITS	SCALE
mm	5:1

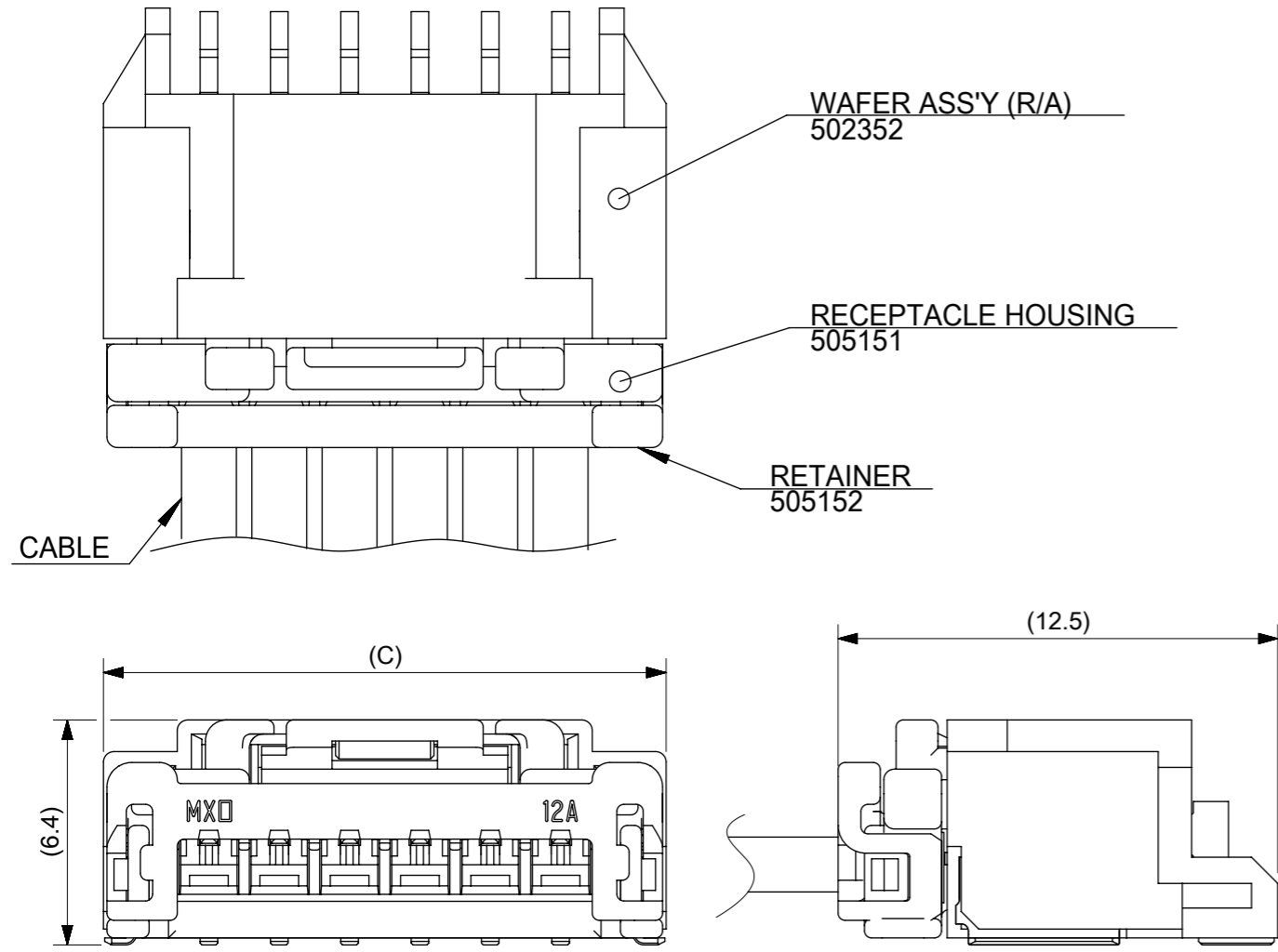
GENERAL TOLERANCES (UNLESS SPECIFIED)		
0.25 UNDER	±0.03	ANGULAR TOL ± 3.0°
0.25 OVER 0.5 UNDER	±0.05	4 PLACES ± 0.2
0.5 OVER 1.0 UNDER	±0.1	3 PLACES ± 0.25
1.0 OVER 10 UNDER	±0.2	2 PLACES ± 0.3
10 OVER 30 UNDER	±0.25	1 PLACE ± 0.1
30 OVER	±0.3	0 PLACES ±

CURRENT REV DESC:	
EC NO: 175347	2018/04/20
DRWN: TMORISHITA	2018/04/20
CHK'D: HKOMATSU	2018/04/20
APPR: TOSADA	2018/04/20
INITIAL REVISION:	
DRWN: MIKEDA01	2014/03/03
APPR: NUKITA	2014/03/28

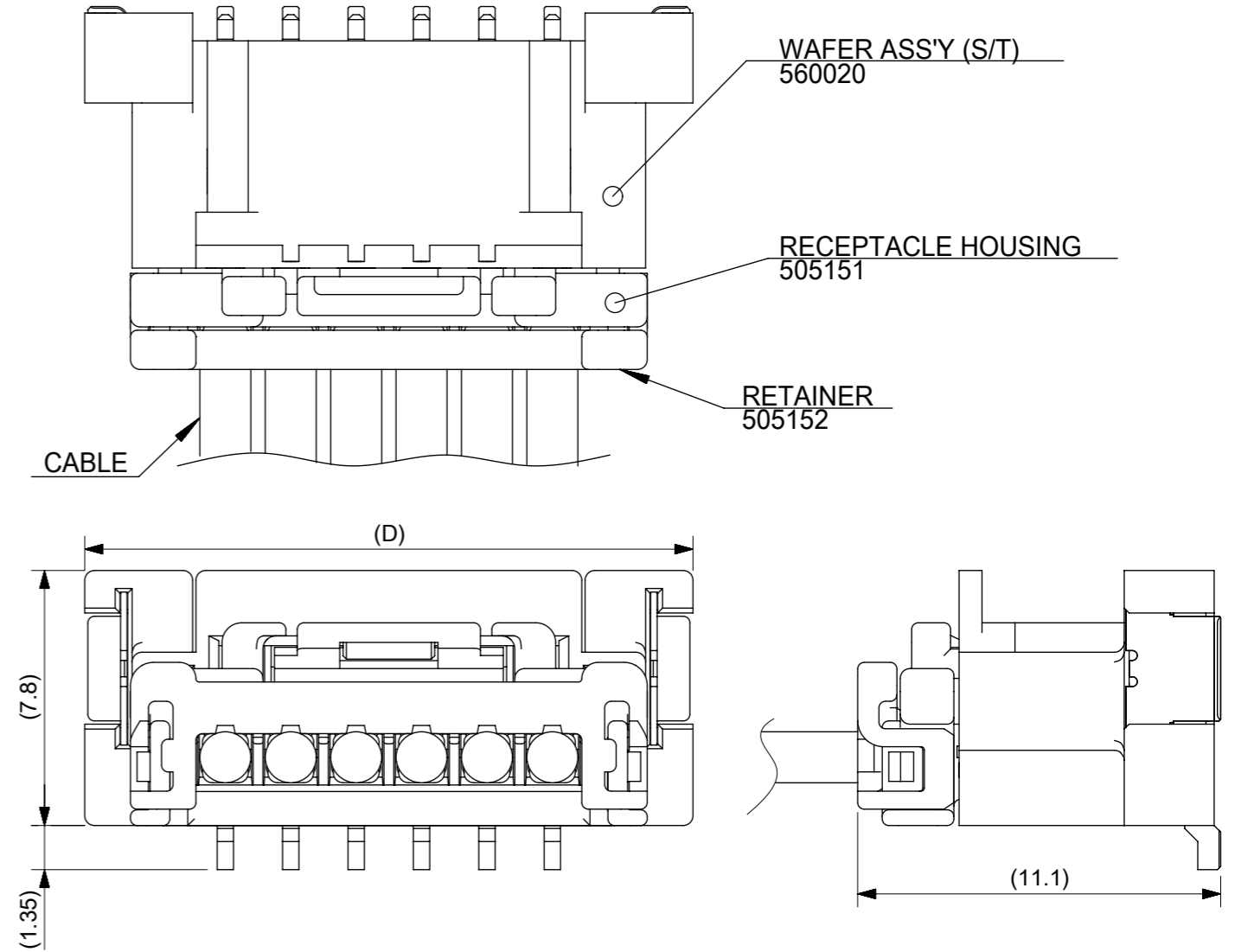
molex			
2.0MM PITCH W/B CONN.			
PRODUCT CUSTOMER DRAWING			
DOCUMENT NUMBER	DOC TYPE	DOC PART	REVISION
SD-505151-001	PSD	001	E1
MATERIAL NUMBER	CUSTOMER	SHEET NUMBER	
SEE SHEET 4	GENERAL MARKET	2 OF 4	

嵌合図

Right Angle: 502352 series



Straight: 560020 series



THIS DRAWING CONTAINS INFORMATION THAT IS PROPRIETARY TO MOLEX ELECTRONIC TECHNOLOGIES, LLC AND SHOULD NOT BE USED WITHOUT WRITTEN PERMISSION

DIMENSION UNITS	SCALE	CURRENT REV DESC:		molex		
mm	5:1					
GENERAL TOLERANCES (UNLESS SPECIFIED)		EC NO: 175347		2.0MM PITCH W/B CONN.		
ANGULAR TOL ± 3.0°		DRWN: TMORISHITA 2018/04/20		PRODUCT CUSTOMER DRAWING		
4 PLACES ± 0.2		CHK'D: HKOMATSU 2018/04/20		DOCUMENT NUMBER		
3 PLACES ± 0.25		APPR: TOSADA 2018/04/20		SD-505151-001		
2 PLACES ± 0.3		INITIAL REVISION:		DOC TYPE		
1 PLACE ± 0.1		DRWN: MIKEDA01 2014/03/03		PSD		
0 PLACES ±		APPR: NUKITA 2014/03/28		DOC PART		
DRAFT WHERE APPLICABLE MUST REMAIN WITHIN DIMENSIONS		THIRD ANGLE PROJECTION		REVISION		
		DRAWING		001		
		SERIES		E1		
		MATERIAL NUMBER		SEE SHEET 4		
		CUSTOMER		GENERAL MARKET		
		SHEET NUMBER		3 OF 4		

0.25 UNDER	±0.03
0.25 OVER 0.5 UNDER	±0.05
0.5 OVER 1.0 UNDER	±0.1
1.0 OVER 10 UNDER	±0.2
10 OVER 30 UNDER	±0.25
30 OVER	±0.3

9 8 7 6 5 4 3 2 1

E

E

D

D

C

C

B


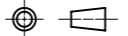
B

A

A

WHITE	BLACK	HSG COLOR
5051511501	5051511500	15
5051511401	5051511400	14
5051511301	5051511300	13
5051511201	5051511200	12
5051511101	5051511100	11
5051511001	5051511000	10
5051510901	5051510900	9
5051510801	5051510800	8
5051510701	5051510700	7
5051510601	5051510600	6
5051510501	5051510500	5
5051510401	5051510400	4
5051510301	5051510300	3
5051510201	5051510200	2
MATERIAL NO.	MATERIAL NO.	CIRCUIT

THIS DRAWING CONTAINS INFORMATION THAT IS PROPRIETARY TO MOLEX ELECTRONIC TECHNOLOGIES, LLC AND SHOULD NOT BE USED WITHOUT WRITTEN PERMISSION

<table border="1"> <tr> <th>DIMENSION UNITS</th> <th>SCALE</th> </tr> <tr> <td>mm</td> <td>5:1</td> </tr> </table>		DIMENSION UNITS	SCALE	mm	5:1	CURRENT REV DESC:								
DIMENSION UNITS	SCALE													
mm	5:1													
GENERAL TOLERANCES (UNLESS SPECIFIED)		EC NO: 175347												
0.25 UNDER	±0.03	ANGULAR TOL ± 3.0 °	DRWN: TMORISHITA 2018/04/20	2.0MM PITCH W/B CONN.										
0.25 OVER 0.5 UNDER	±0.05	4 PLACES ± 0.2	CHK'D: HKOMATSU 2018/04/20											
0.5 OVER 1.0 UNDER	±0.1	3 PLACES ± 0.25	APPR: TOSADA 2018/04/20	PRODUCT CUSTOMER DRAWING										
1.0 OVER 10 UNDER	±0.2	2 PLACES ± 0.3	INITIAL REVISION:											
10 OVER 30 UNDER	±0.25	1 PLACE ± 0.1	DRWN: MIKEDA01 2014/03/03	<table border="1"> <tr> <th>DOCUMENT NUMBER</th> <th>DOC TYPE</th> <th>DOC PART</th> <th>REVISION</th> </tr> <tr> <td>SD-505151-001</td> <td>PSD</td> <td>001</td> <td>E1</td> </tr> </table>			DOCUMENT NUMBER	DOC TYPE	DOC PART	REVISION	SD-505151-001	PSD	001	E1
DOCUMENT NUMBER	DOC TYPE	DOC PART	REVISION											
SD-505151-001	PSD	001	E1											
30 OVER	±0.3	0 PLACES ±	APPR: NUKITA 2014/03/28	<table border="1"> <tr> <th>MATERIAL NUMBER</th> <th>CUSTOMER</th> <th>SHEET NUMBER</th> </tr> <tr> <td>SEE SHEET 4</td> <td>GENERAL MARKET</td> <td>4 OF 4</td> </tr> </table>			MATERIAL NUMBER	CUSTOMER	SHEET NUMBER	SEE SHEET 4	GENERAL MARKET	4 OF 4		
MATERIAL NUMBER	CUSTOMER	SHEET NUMBER												
SEE SHEET 4	GENERAL MARKET	4 OF 4												
DRAFT WHERE APPLICABLE MUST REMAIN WITHIN DIMENSIONS		THIRD ANGLE PROJECTION	DRAWING	SERIES	SHEET NUMBER									
			A3-SIZE	505151	4 OF 4									

DOCUMENT STATUS	P1	RELEASE DATE	2018/04/20	09:17:02
-----------------	----	--------------	------------	----------

9 8 7 6 5 4 3 2 1

FORMAT: master-b-prod-A3
REVISION: 11
DATE: 2018/01/18