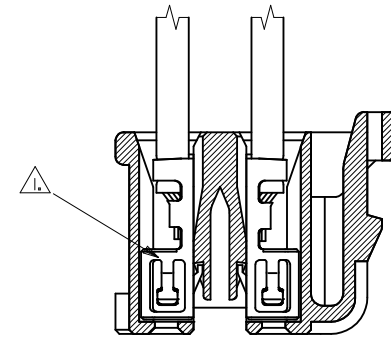


NOTES.

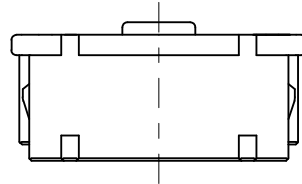
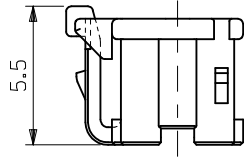
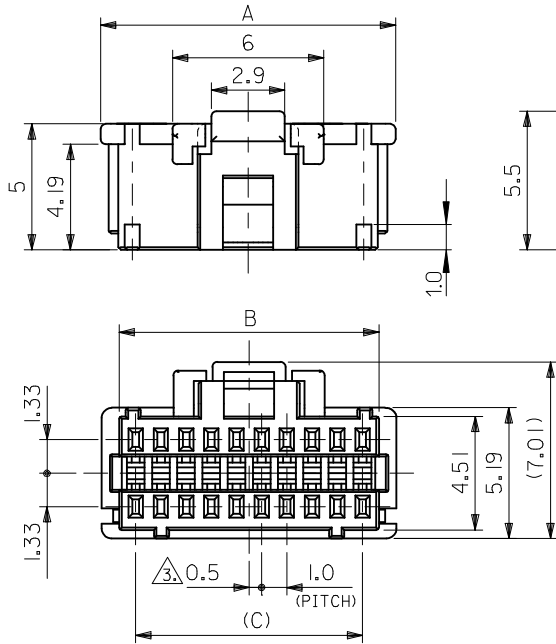
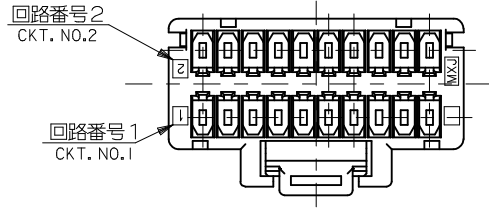
1. 適合ターミナル：501193-****
APPLICABLE TERMINAL：501193-****
2. 嵌合相手：501190-****/501571-****
MATE WITH：501190-****/501571-****
3. 極数/2=偶数に適用。
APPLY FOR CIRCUIT SIZE/2=EVEN
4. 本製品は、フリクションロック付きタイプとする。
WITH FRICTION LOCK TYPE
5. ELV 及び RoHS適合品
ELV AND RoHS COMPLIANT



ターミナル装着図
TERMINAL ASSEMBLY DRAWING

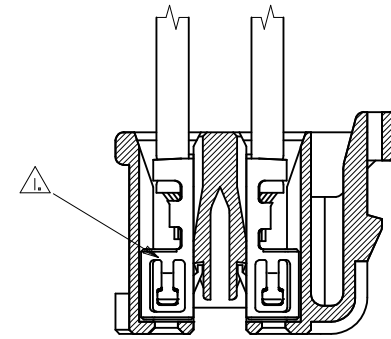
24	25.3	26.7	501189-5051	50
19	20.3	21.7	501189-4051	40
14	15.3	16.7	501189-3051	30
9	10.3	11.7	501189-2051	20
C	B	A	ポリ袋 POLYBAG PACKAGE オーダー番号	極数 CKT.

MATERIAL 66NYLON UL94V-0 COLOR: GRAY GLASS FILLED:0%	REVISED EC NO: J2010-0130 DRWK:TOYODA 2009/07/23 CHKD:HATSUMOTO 2009/07/26 APPR:NUKITA 2009/07/27	GENERAL TOLERANCES (UNLESS SPECIFIED)		DIMENSION STYLE MM ONLY		SCALE 5:1	DESIGN UNITS METRIC	THIRD ANGLE PROJECTION		
		10 UNDER	±0.2	DRAWN BY K. TOYODA	DATE '09/07/21	TITLE 1.0 WIRE TO BOARD CONN. 2-ROW RECEPTACLE HOUSING WITH FRICTION LOCK				
		10 OVER 30 UNDER	±0.25	CHECKED BY N. UKITA	DATE '09/07/21	MOLEX INCORPORATED				
		30 OVER	±0.3	APPROVED BY N. UKITA	DATE '09/07/21	DOCUMENT NO. SD-501189-006				
ANGULAR ±3 °		DRAFT WHERE APPLICABLE MUST REMAIN WITHIN DIMENSIONS		MATERIAL NO. SEE TABLE		SHEET NO. 1 OF 1				



NOTES.

- ① 適合ターミナル：501193-****
APPLICABLE TERMINAL：501193-****
- ② 嵌合相手：501190-****/501571-****
MATE WITH：501190-****/501571-****
- ③ 極数/2=偶数に適用。
APPLY FOR CIRCUIT SIZE/2=EVEN
- ④ 本製品は、フリクションロック付きタイプとする。
WITH FRICTION LOCK TYPE
- ⑤ ELV 及び RoHS適合品
ELV AND RoHS COMPLIANT



ターミナル装着図
TERMINAL ASSEMBLY DRAWING

24	25.3	26.7	501189-5051	50
19	20.3	21.7	501189-4051	40
14	15.3	16.7	501189-3051	30
9	10.3	11.7	501189-2051	20
C	B	A	ポリ袋 POLYBAG PACKAGE オーダー番号	極数 CKT.

MATERIAL 66NYLON UL94V-0 COLOR: GRAY GLASS FILLED:0%	REVISED EC NO: J2010-0130 DRWK:TOYODA 2009/07/23 CHKD:HATSUMOTO 2009/07/26 APPR:NUKITA 2009/07/27	GENERAL TOLERANCES (UNLESS SPECIFIED)		DIMENSION STYLE MM ONLY		SCALE 5:1	DESIGN UNITS METRIC	THIRD ANGLE PROJECTION	
		10 UNDER	±0.2	DRAWN BY K. TOYODA	DATE '09/07/21	TITLE 1.0 WIRE TO BOARD CONN. 2-ROW RECEPTACLE HOUSING WITH FRICTION LOCK			
		10 OVER 30 UNDER	±0.25	CHECKED BY N. UKITA	DATE '09/07/21	MOLEX INCORPORATED			
		30 OVER	±0.3	APPROVED BY N. UKITA	DATE '09/07/21	DOCUMENT NO. SD-501189-006			
ANGULAR ±3 °		DRAFT WHERE APPLICABLE MUST REMAIN WITHIN DIMENSIONS		MATERIAL NO. SEE TABLE		SHEET NO. 1 OF 1			