

TABLE OF CONTENTS	
SHEET NO.	SHEET DESCRIPTION
1	NOTES AND BOM
2	CONFIGURATIONS
3-4	KEY CONFIGURATIONS
5	BLADE SEALED ASSEMBLY
6	SYSTEM PACKAGING
7	BACKSHELL NOTES
8	BACKSHELL
9	BACKSHELL CONFIGURATIONS

NOTES: VALID UNLESS OTHERWISE SPECIFIED

1. GENERAL:
a. APPLICATION SPECIFICATION SEE: AS-33472-100
-CONTAINS: PRODUCT INTRODUCTION, PRODUCT SUMMARY, CONNECTOR ASSEMBLY, PACKAGING INFORMATION, CONNECTOR MATING, SERVICE INSTRUCTIONS, ELECTRICAL CONTINUITY CHECKING, CRIMPING, AND TROUBLESHOOTING.
-DESIGNED TO MATE WITH RECEPTACLE SEALED ASSEMBLY AS SPECIFIED IN THE MATING CONNECTOR DRAWINGS CHART.
*DENOTES DRAWINGS THAT CAN BE ACCESSED AT <http://ewcap.uscarteams.org/>.
-ASSEMBLY SHIPPED WITH PLR IN PRE-LOCK POSITION (SEE PLR PRE-LOCK VIEW SHEET 5).

b. PRODUCT SPECIFICATION SEE:
-STANDARD CONFIGURATION: PS-33472-000
-UL V0 CONFIGURATION: TBD
CONTAINS: PRODUCT INTRODUCTION, PRODUCT SUMMARY, RATINGS (CURRENT, TEMPERATURE, SEALING, AND FLAMMABILITY), TERMINALS, WIRE DIAMETER RANGE, PRODUCT VALIDATION, AND PRODUCT DEVIATIONS.

c. PACKAGING SPECIFICATION PER MOLEX DRAWING: PK-31300-635

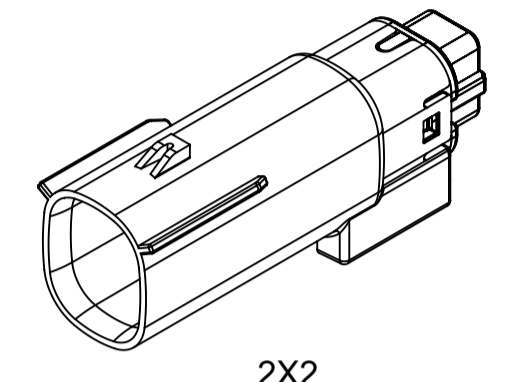
d. PARTS MUST BE IN COMPLIANCE TO MOLEX CHEMICAL SUBSTANCES FOR PRODUCTS AND PACKAGING SPECIFICATION: QEHS-699000-300

e. DATA MUST BE SUBMITTED UNDER THE MOLEX PART NUMBER TO IMDS (COMPANY ID#13255)

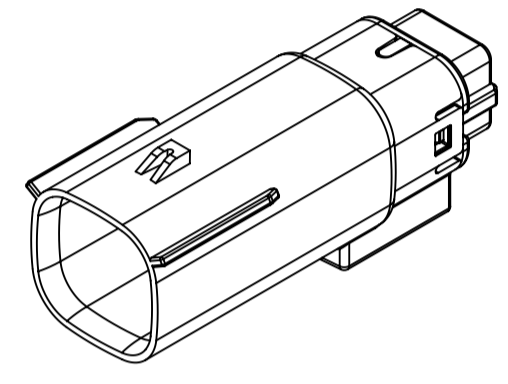
2. DESIGN - MATERIALS:
a. FOR BILL OF MATERIALS SEE:
-STANDARD CONFIGURATION: SD-33482-0002
-UL V0 CONFIGURATION: SD-160084-0002

3. DESIGN - GEOMETRY:
a. THE 3-D CAD DATA IS BASIC (WITHOUT TOLERANCE) AND MASTER FOR THIS PART WITH THE EXCEPTION OF UNDERLINED DIMENSIONS. DIMENSIONAL INFORMATION NOT SHOWN ON THIS DRAWING IS DEFINED BY THE DATA FILE AT ITS LATEST REVISION.
b. GEOMETRIC DIMENSIONS AND TOLERANCES PER ASME Y14.5M-2009
c. EDGES AND UNDIMENSIONED DETAILS PER ISO13715
d. CORNERS SHOWN AS SHARP TO BE R 0.2 MAX.
e. LETTERING SHALL BE 0.15 MAX RAISED IN 0.25 MAX RECESS PAD. THIS INCLUDES RECYCLING CODE, CAVITY ID, VENDOR IDENTIFICATION, AND CUSTOMER MATERIAL NUMBER.
f. VISUAL DEFECTS SHALL MEET COSMETIC STANDARD PS-45499-002 (Class B).
g. LASER MARKING:
1. PART NUMBER
2. DAY OF THE YEAR
3. SHIFT
4. YEAR
FOR ADDITIONAL INFORMATION SEE SECTION 5 UNDER PROCEDURES IN ES-34735-008.

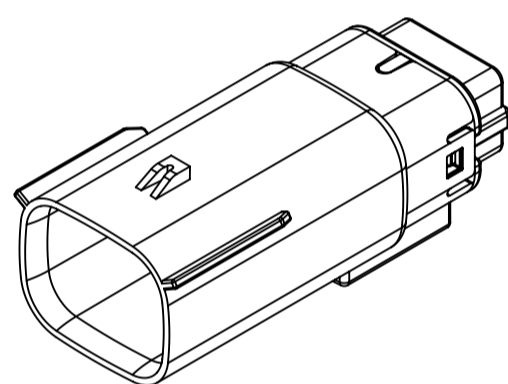
MATING CONNECTOR DRAWINGS	
DESCRIPTION	MOLEX INLINE
2X2	SD-33472-0001
2X3	SD-33472-0001
2X4	SD-33472-0001
2X6	SD-33472-0001
2X8	SD-33472-0001
2X10	SD-33472-0001



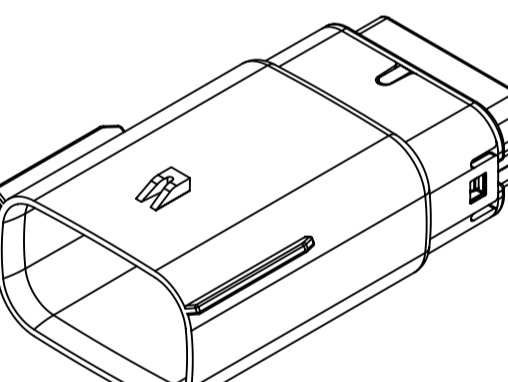
2X2



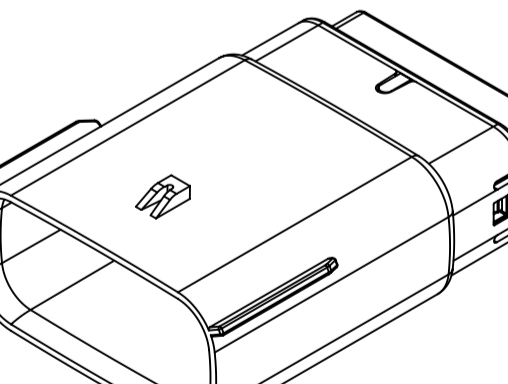
2X3



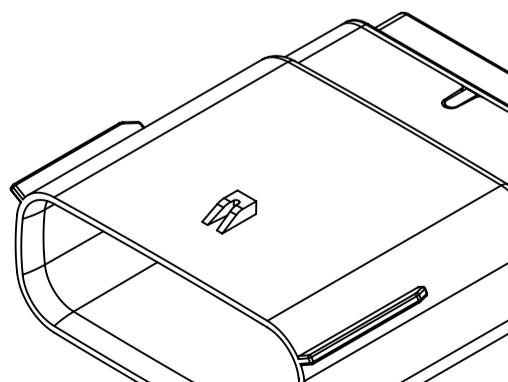
2X4



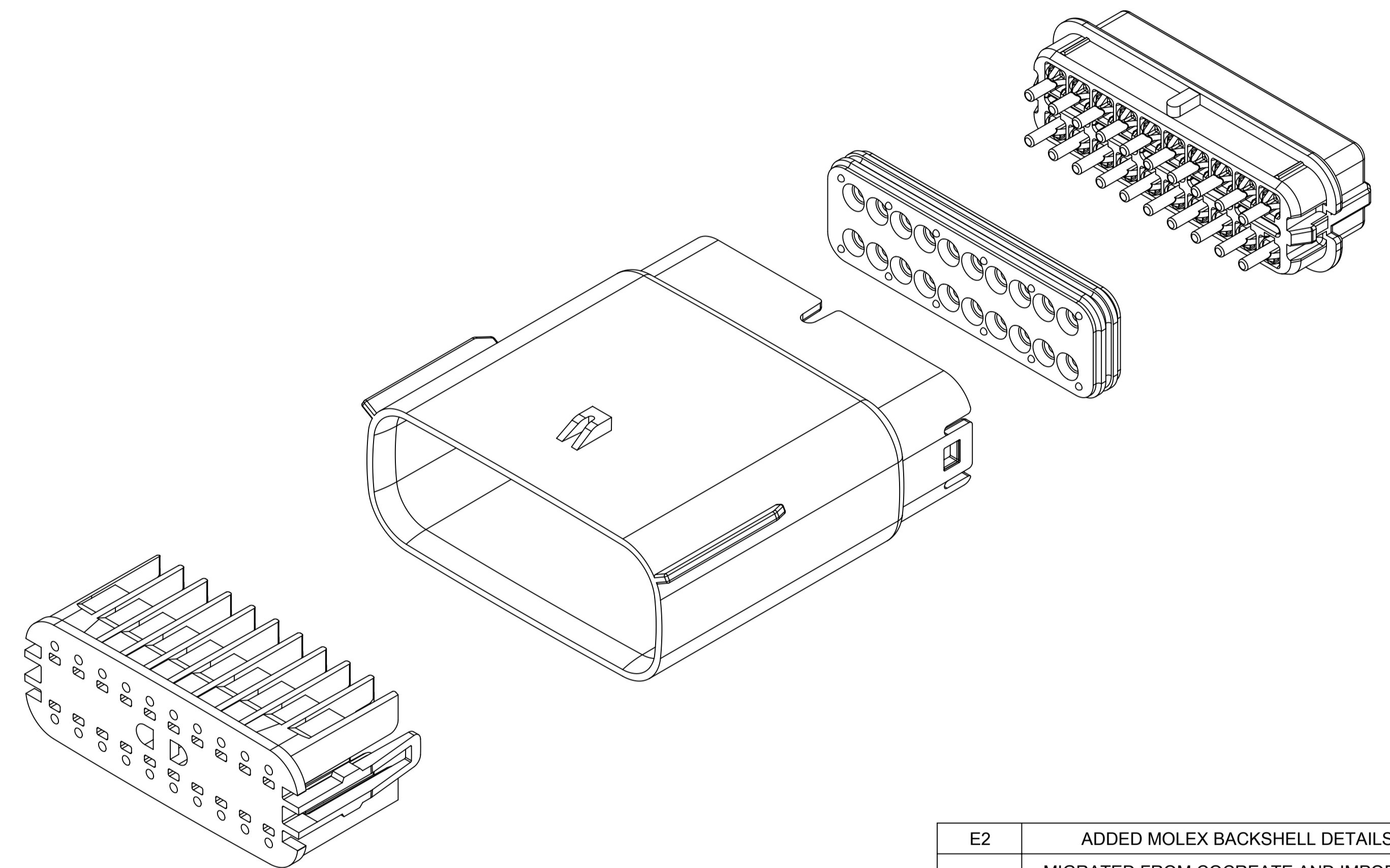
2X6



2X8



2X10

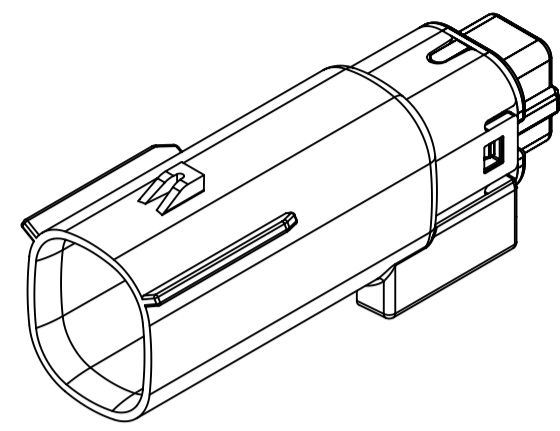


REV	REV DESCRIPTION
E2	ADDED MOLEX BACKSHELL DETAILS
E1	MIGRATED FROM COCREATE AND IMPORTED DXF FILES
E	ADDED CHARTED DIMENSIONS FOR 2X2, 2X4, 2X6 AND 2X8 WITH CLIPSLLOT
D	MINOR GEOMETRY CHANGE FOR UL V0
C3	ADD 2X4
C2	ADD 2X3
C1	ADD UL V0 CONFIGURATIONS
C	ADD 2X8
B1	ADD 2X6 BACKSHELL INFO
B	ADD 2X6
A	INITIAL RELEASE
REV	REV DESCRIPTION

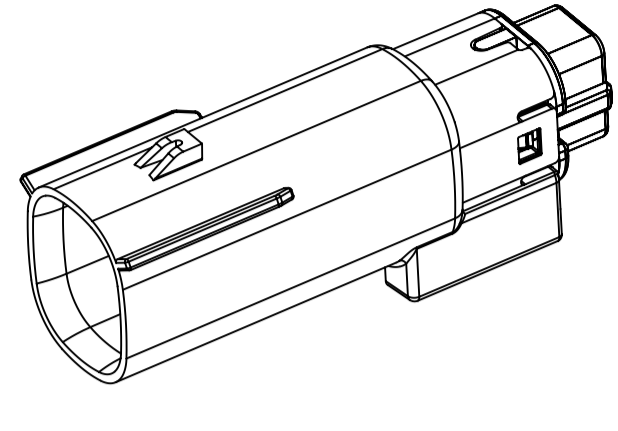
INSPECTION NUMBER LOG	
LAST NUMBER:	9
ADDED:	
REMOVED:	

SYMBOLS = 0 mm = 0 GENERAL TOLERANCES (UNLESS SPECIFIED) = 0 ANGULAR TOL ± 1.0° = 0 4 PLACES ± = 0 3 PLACES ± = 0 2 PLACES ± 0.1 = 0 1 PLACE ± 0.2 = 0 0 PLACES ± = 0 DRAFT WHERE APPLICABLE MUST REMAIN WITHIN DIMENSIONS	THIS DRAWING CONTAINS INFORMATION THAT IS PROPRIETARY TO MOLEX ELECTRONIC TECHNOLOGIES, LLC AND SHOULD NOT BE USED WITHOUT WRITTEN PERMISSION DIMENSION UNITS: mm SCALE: 1.5:1 CURRENT REV DESC: EC NO: 171650 DRWN: PMANJUNATHAC 2018/01/03 CHK'D: MVANSLAMBROU 2018/02/16 APPR: MVANSLAMBROU 2018/02/16 INITIAL REVISION: DRWN: APROFFITT 2014/04/28 APPR: VKOSHY 2014/05/14	 MX150 BLADE DUAL ROW SEALED ASSEMBLY MAT SEAL PRODUCT CUSTOMER DRAWING
	DOCUMENT NUMBER: SD-33482-0001 DOC TYPE: PSD DOC PART: 001 REVISION: E2	
	MATERIAL NUMBER: GENERAL MARKET CUSTOMER:	
	SHEET NUMBER: 1 OF 11	

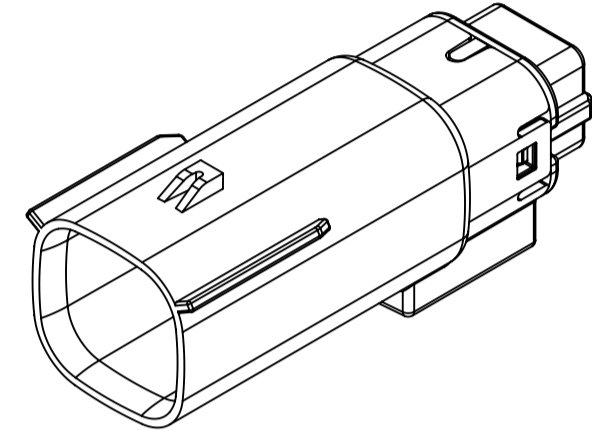
SHEET DESCRIPTION
CONFIGURATIONS



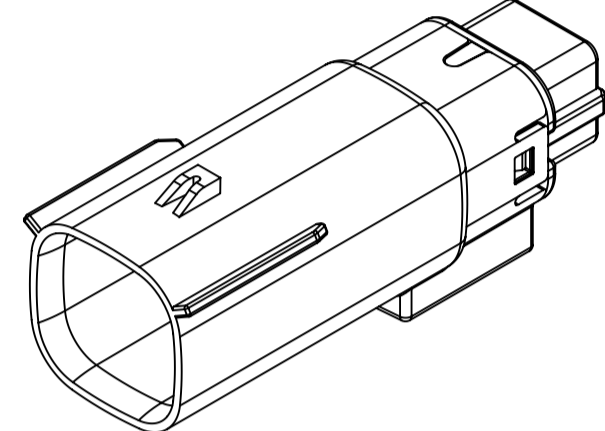
2X2 - STANDARD (STD)



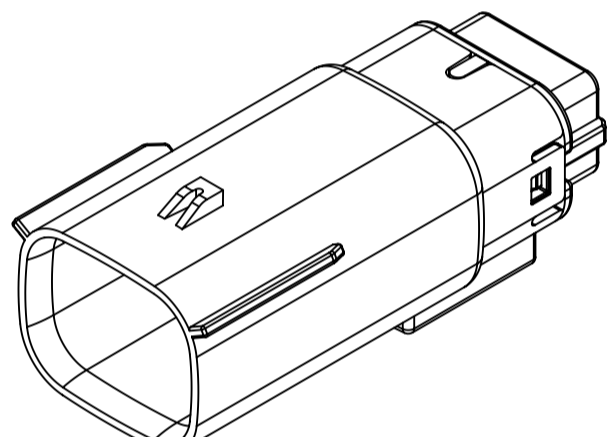
2X2 - UL V0*



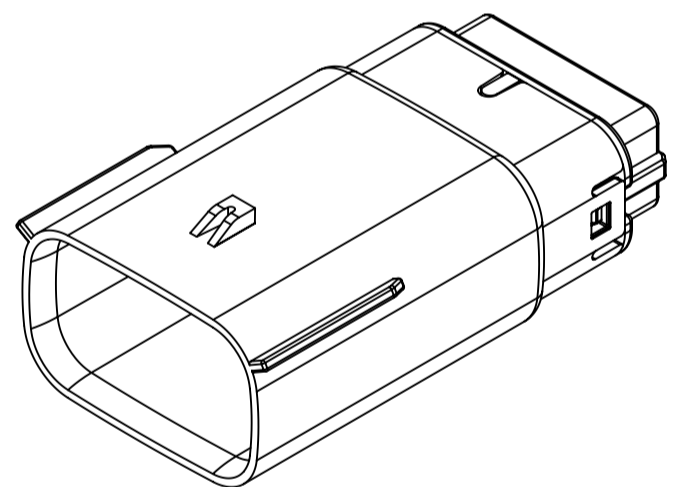
2X3 - STANDARD (STD)



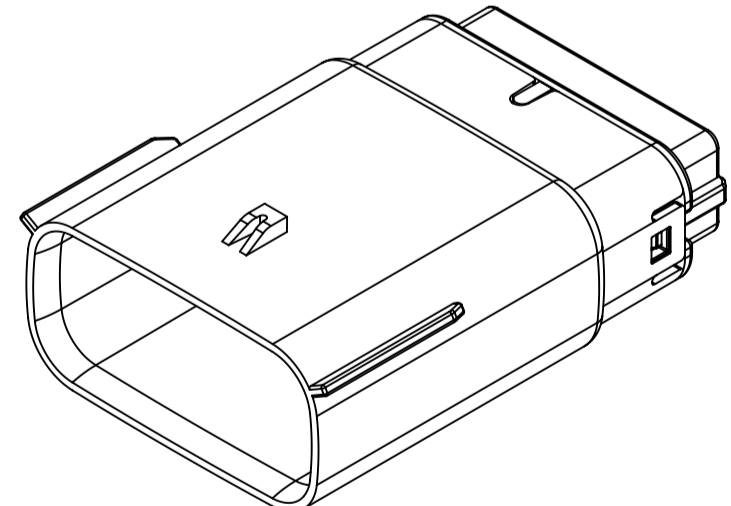
2X3 - LENGTHENED



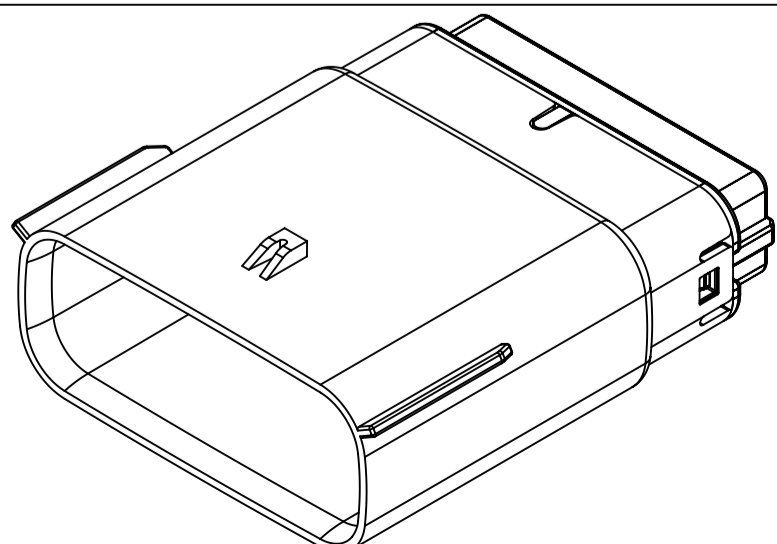
2X4 - STANDARD (STD)



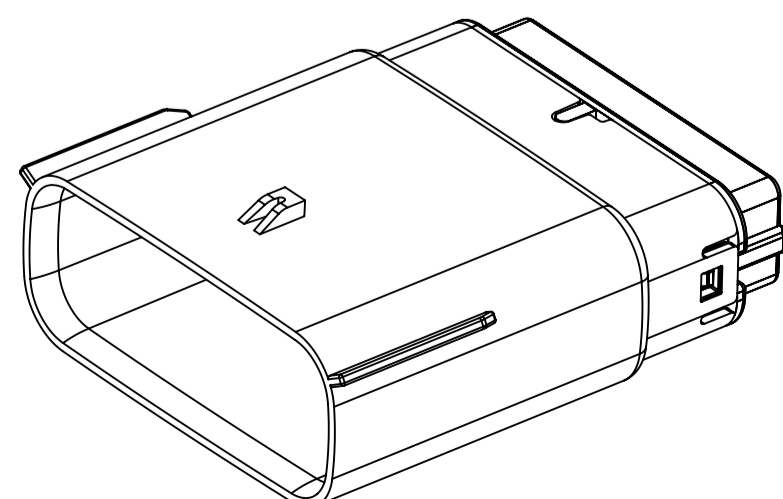
2X6 - STANDARD (STD)



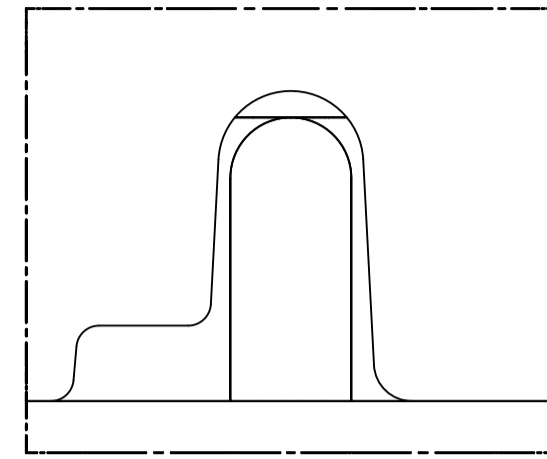
2X8 - STANDARD (STD)



2X10 - STANDARD (STD)



2X10 - UL V0*



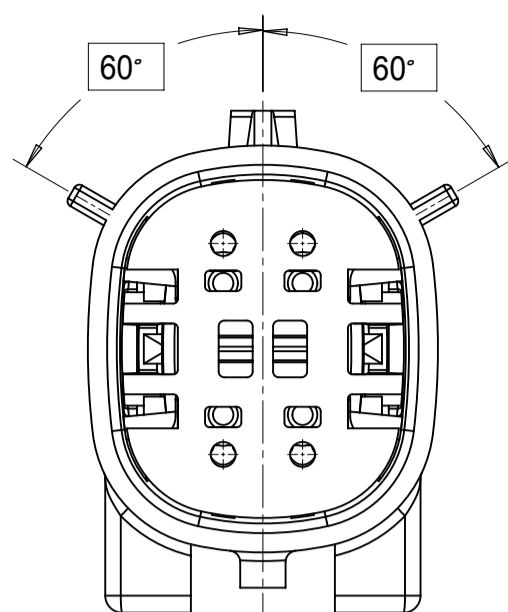
UL V0 UNIQUE FEATURE
Partial1
SCALE 10:1

* MINOR GEOMETRY CHANGE THAN STANDARD CONFIGURATION.
SEE NOTE 2a FOR MORE INFORMATION

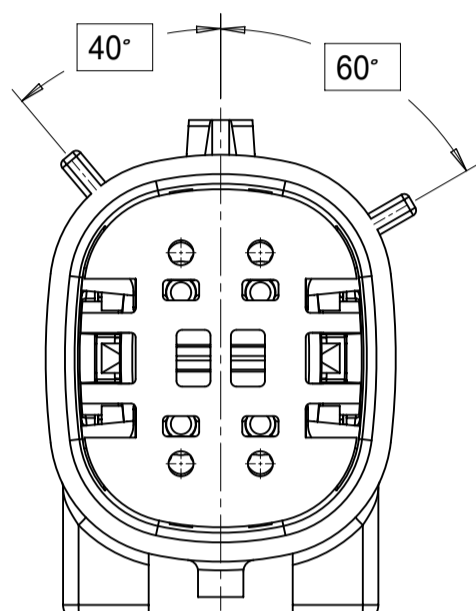
SYMBOLS = 0 = 0 = 0 = 0 = 0 = 0 = 0 = 0 = 0 = 0	THIS DRAWING CONTAINS INFORMATION THAT IS PROPRIETARY TO MOLEX ELECTRONIC TECHNOLOGIES, LLC AND SHOULD NOT BE USED WITHOUT WRITTEN PERMISSION		DIMENSION UNITS: mm		SCALE: 1.5:1		CURRENT REV DESC: EC NO: 171650 DRWN: PMANJUNATHAC 2018/01/03 CHK'D: MVANSLAMBROU 2018/02/16 APPR: MVANSLAMBROU 2018/02/16				 MX150 BLADE DUAL ROW SEALED ASSEMBLY MAT SEAL							
	GENERAL TOLERANCES (UNLESS SPECIFIED)						INITIAL REVISION: DRWN: APROFFITT 2014/04/28 APPR: VKOSHY 2014/05/14								DOCUMENT NUMBER: SD-33482-0001		DOC TYPE: PSD	
	ANGULAR TOL ± 1.0°						DRWN: APROFFITT 2014/04/28 APPR: VKOSHY 2014/05/14				MATERIAL NUMBER:		CUSTOMER:		SHEET NUMBER:			
	4 PLACES ±						THIRD ANGLE PROJECTION				DRAWING: A1-SIZE		SERIES: 33482		GENERAL MARKET		2 OF 11	
	3 PLACES ±						MUST REMAIN WITHIN DIMENSIONS						CUSTOMER:		SHEET NUMBER:			
	2 PLACES ± 0.1						DRAFT WHERE APPLICABLE						CUSTOMER:		SHEET NUMBER:			
	1 PLACE ± 0.2						MUST REMAIN WITHIN DIMENSIONS						CUSTOMER:		SHEET NUMBER:			
	0 PLACES ±						DRAFT WHERE APPLICABLE						CUSTOMER:		SHEET NUMBER:			
	0 PLACES ±						DRAFT WHERE APPLICABLE						CUSTOMER:		SHEET NUMBER:			

SHEET DESCRIPTION
KEY CONFIGURATIONS

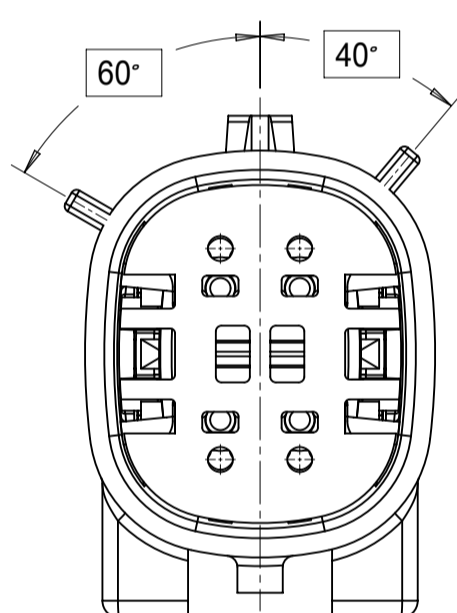
2X2



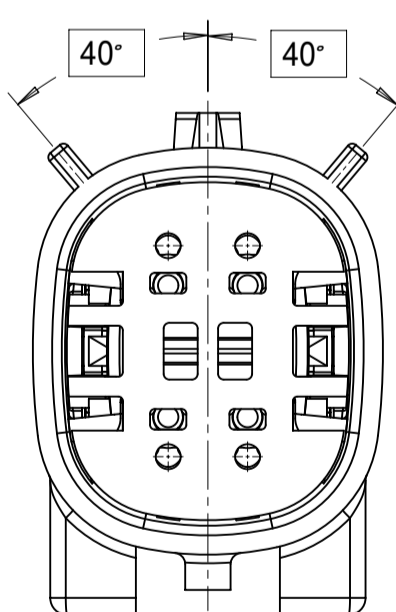
KEY A



KEY B

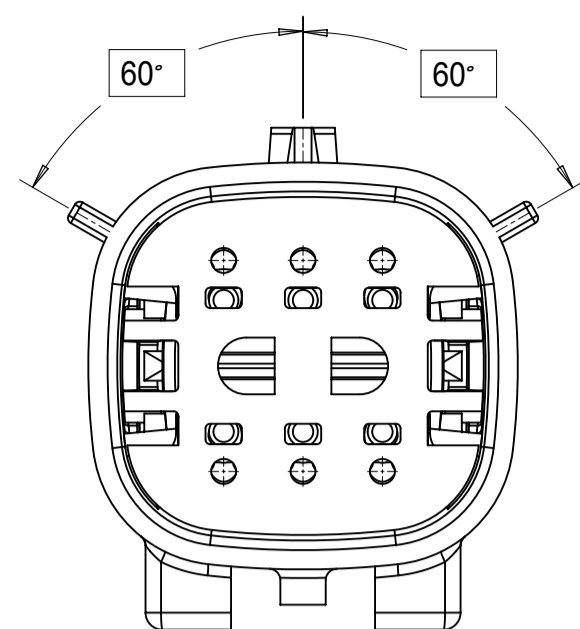


KEY C

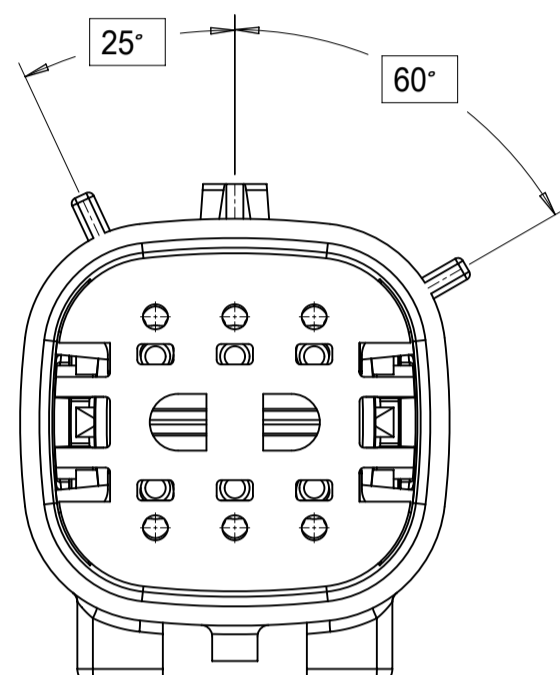


KEY D

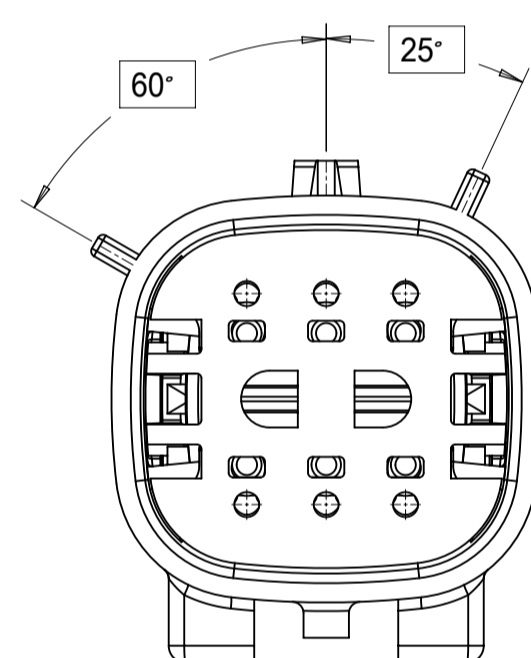
2X3



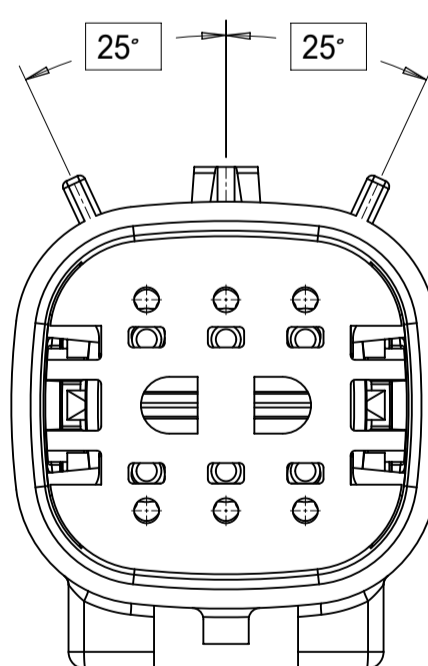
KEY A



KEY B

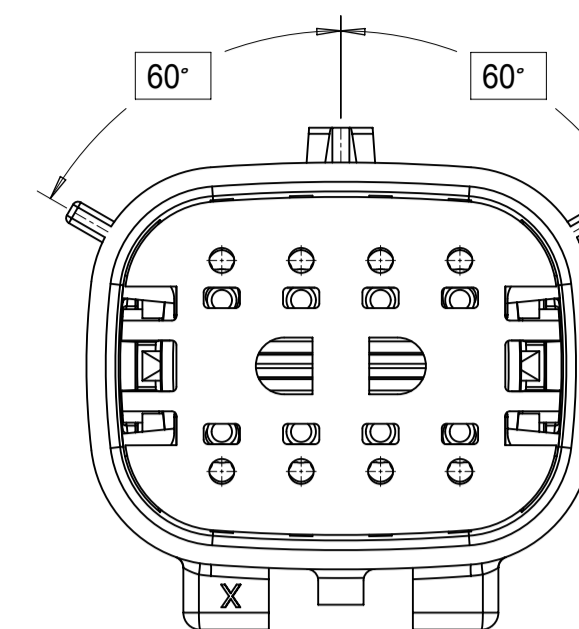


KEY C

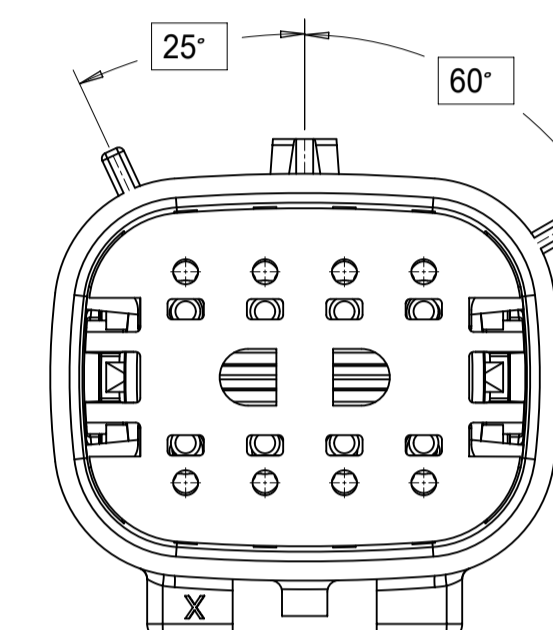


KEY D

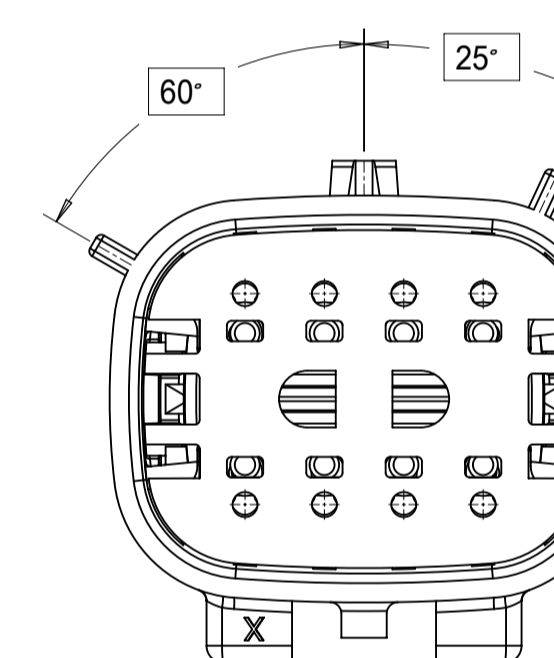
2X4



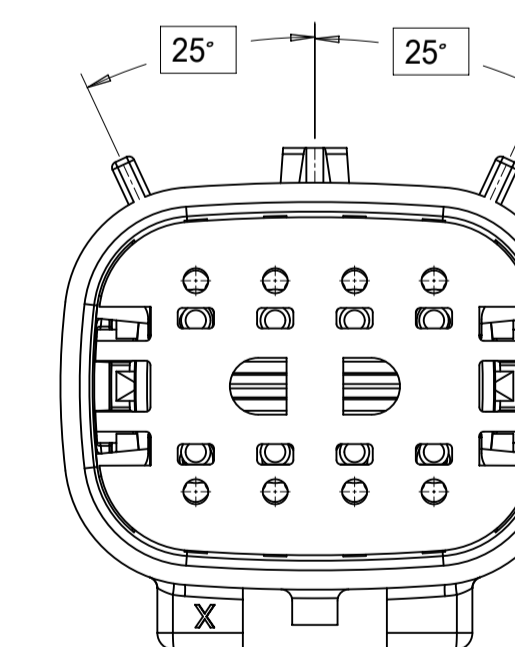
KEY A



KEY B



KEY C



KEY D

THIS DRAWING CONTAINS INFORMATION THAT IS PROPRIETARY TO MOLEX ELECTRONIC TECHNOLOGIES, LLC AND SHOULD NOT BE USED WITHOUT WRITTEN PERMISSION

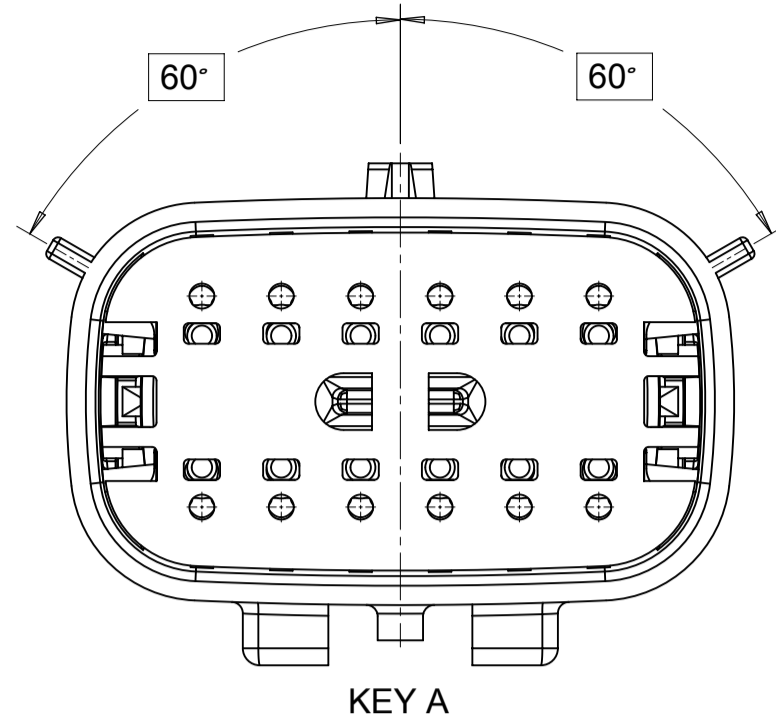
SYMBOLS	DIMENSION UNITS	SCALE
	mm	3:1
	GENERAL TOLERANCES (UNLESS SPECIFIED)	
	ANGULAR TOL ± 1.0°	
	4 PLACES	±
	3 PLACES	±
	2 PLACES	± 0.1
	1 PLACE	± 0.2
	0 PLACES	±
	DRAFT WHERE APPLICABLE MUST REMAIN WITHIN DIMENSIONS	

CURRENT REV DESC:	
EC NO:	171650
DRWN:	PMANJUNATHAC 2018/01/03
CHK'D:	MVANSLAMBROU 2018/02/16
APPR:	MVANSLAMBROU 2018/02/16
INITIAL REVISION:	
DRWN:	APROFFITT 2014/04/28
APPR:	VKOSHY 2014/05/14
THIRD ANGLE PROJECTION	DRAWING
	A1-SIZE
SERIES	33482

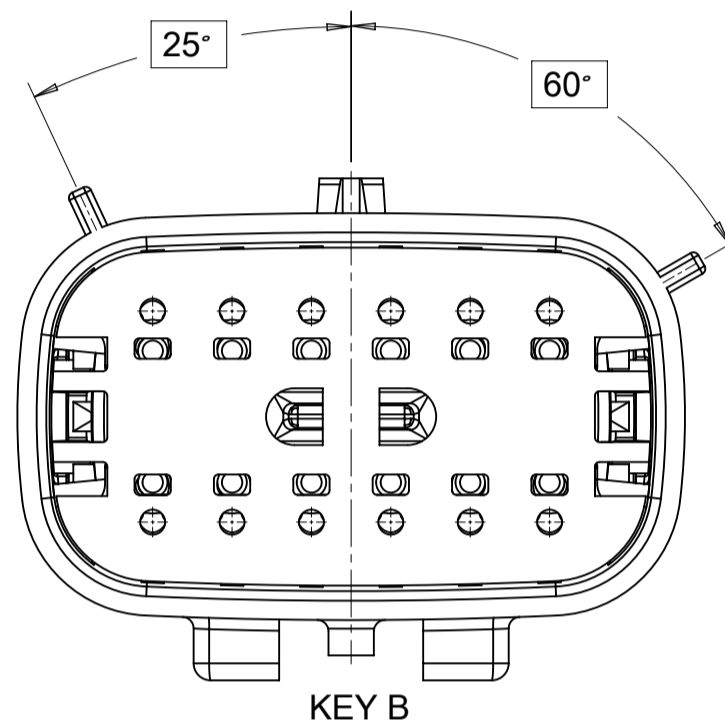
molex		
MX150 BLADE DUAL ROW SEALED ASSEMBLY MAT SEAL		
PRODUCT CUSTOMER DRAWING		
DOCUMENT NUMBER	DOC TYPE	DOC PART
SD-33482-0001	PSD	001
REVISION		
E2		
MATERIAL NUMBER	CUSTOMER	SHEET NUMBER
	GENERAL MARKET	3 OF 11

SHEET DESCRIPTION
KEY CONFIGURATIONS CONT.

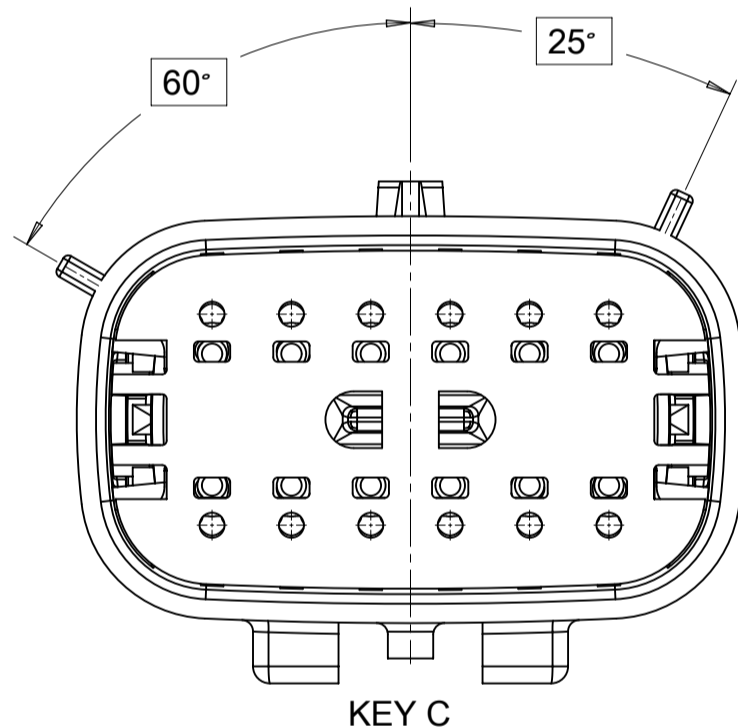
2X6



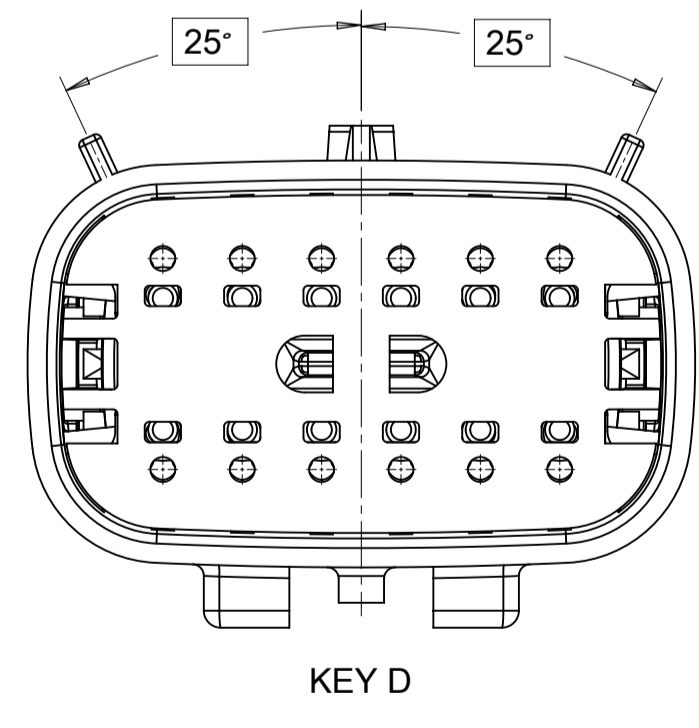
KEY A



KEY B

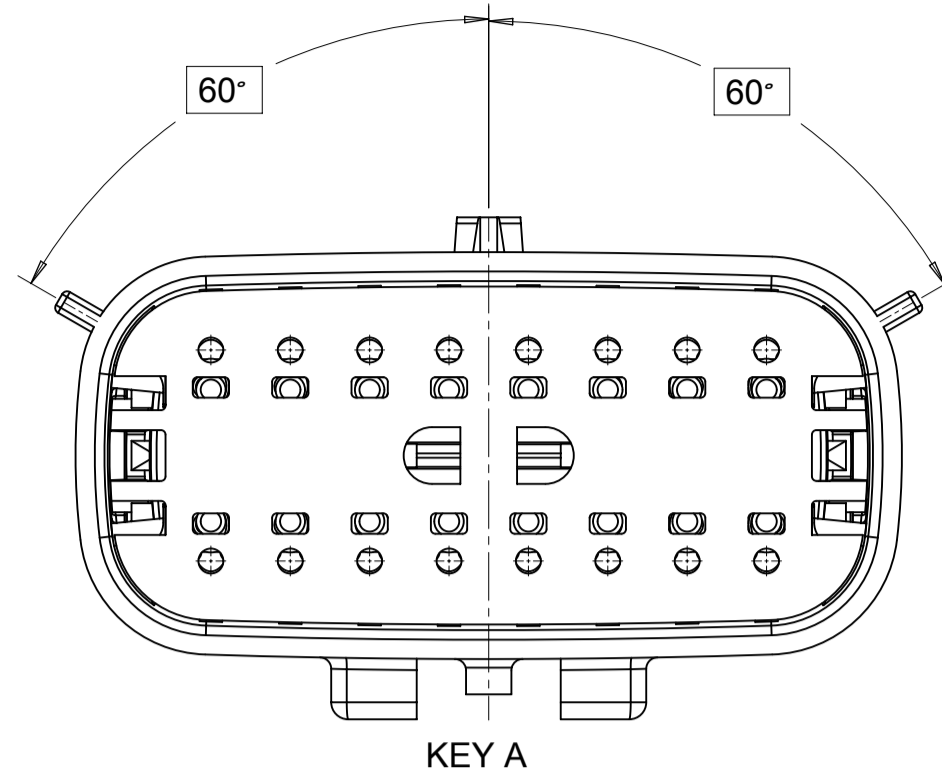


KEY C

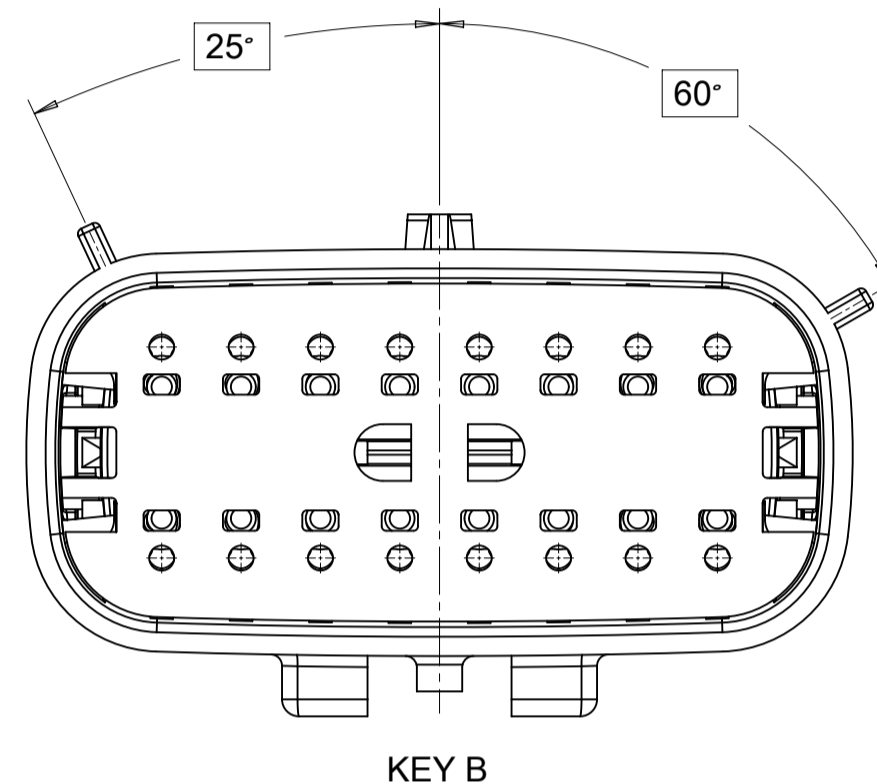


KEY D

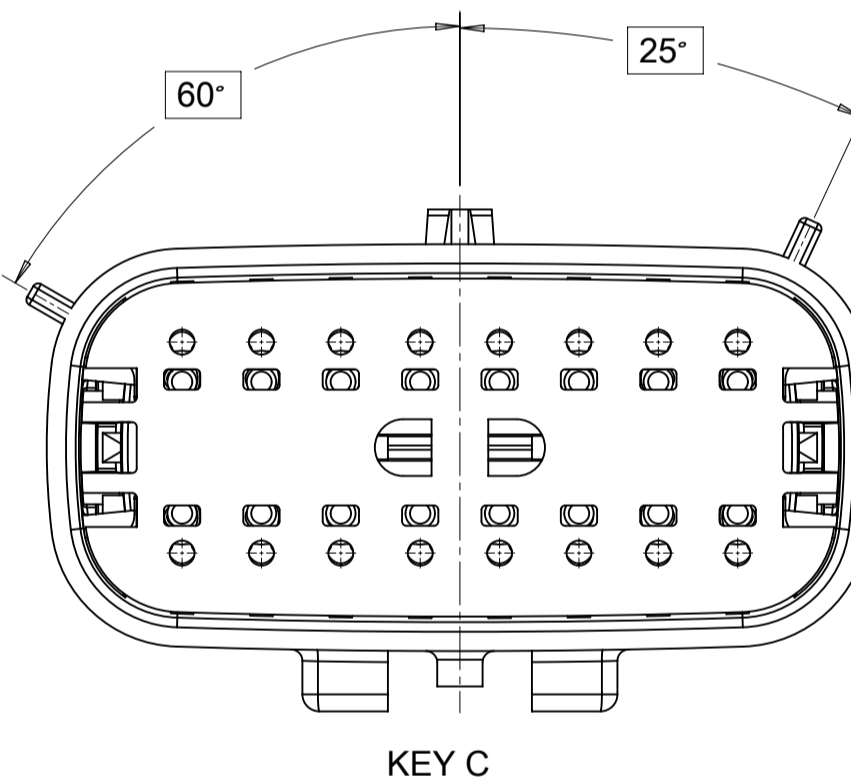
2X8



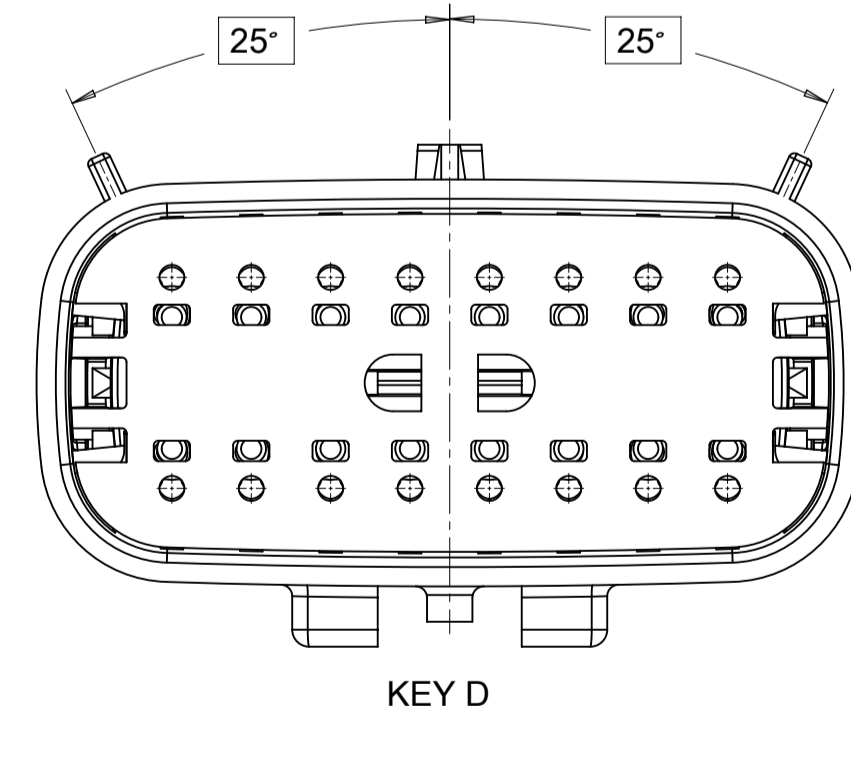
KEY A



KEY B

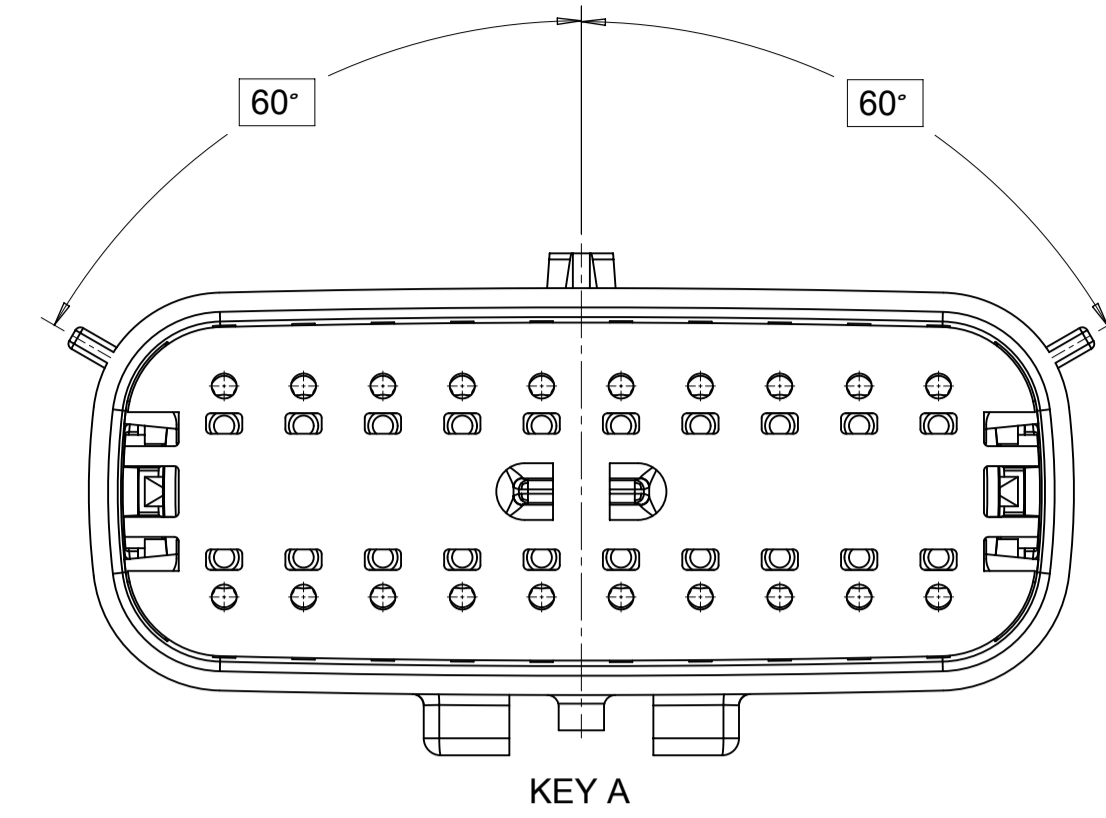


KEY C

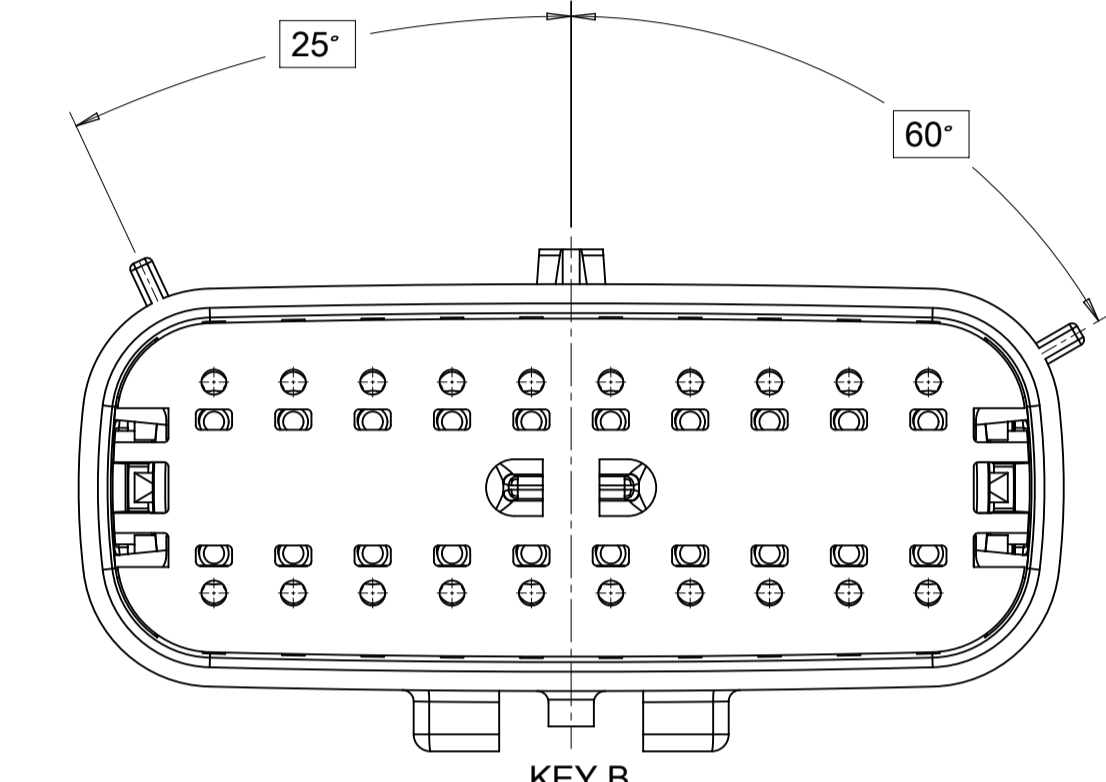


KEY D

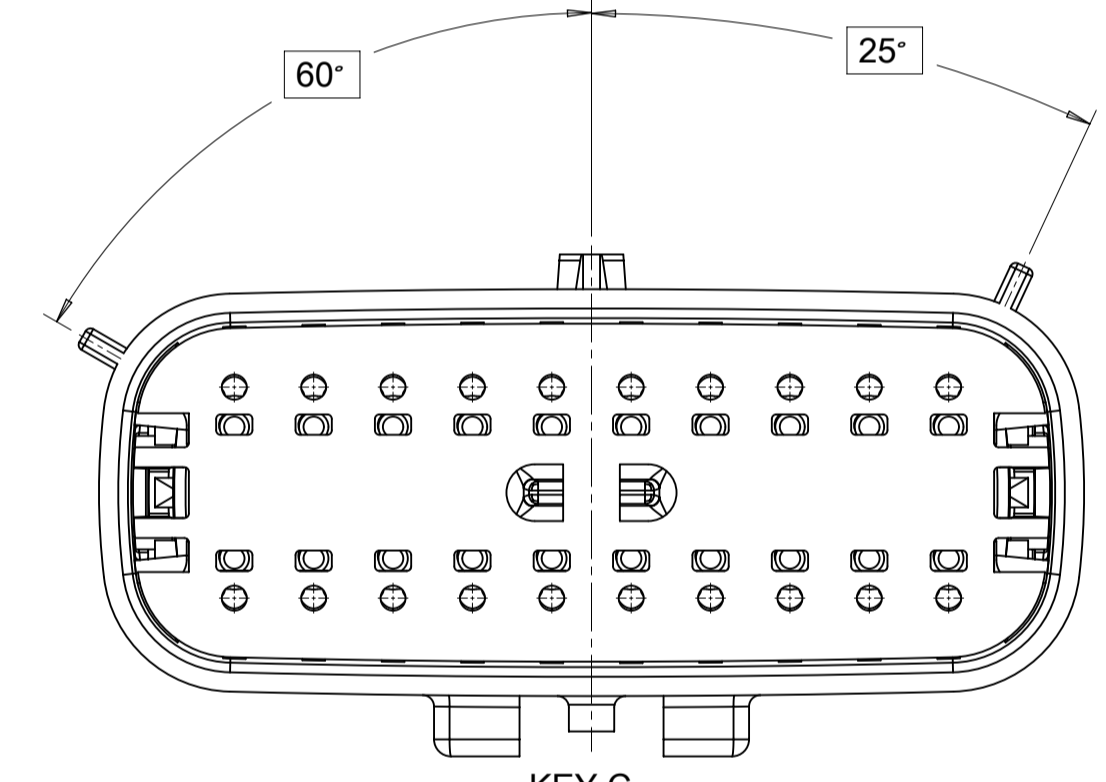
2X10



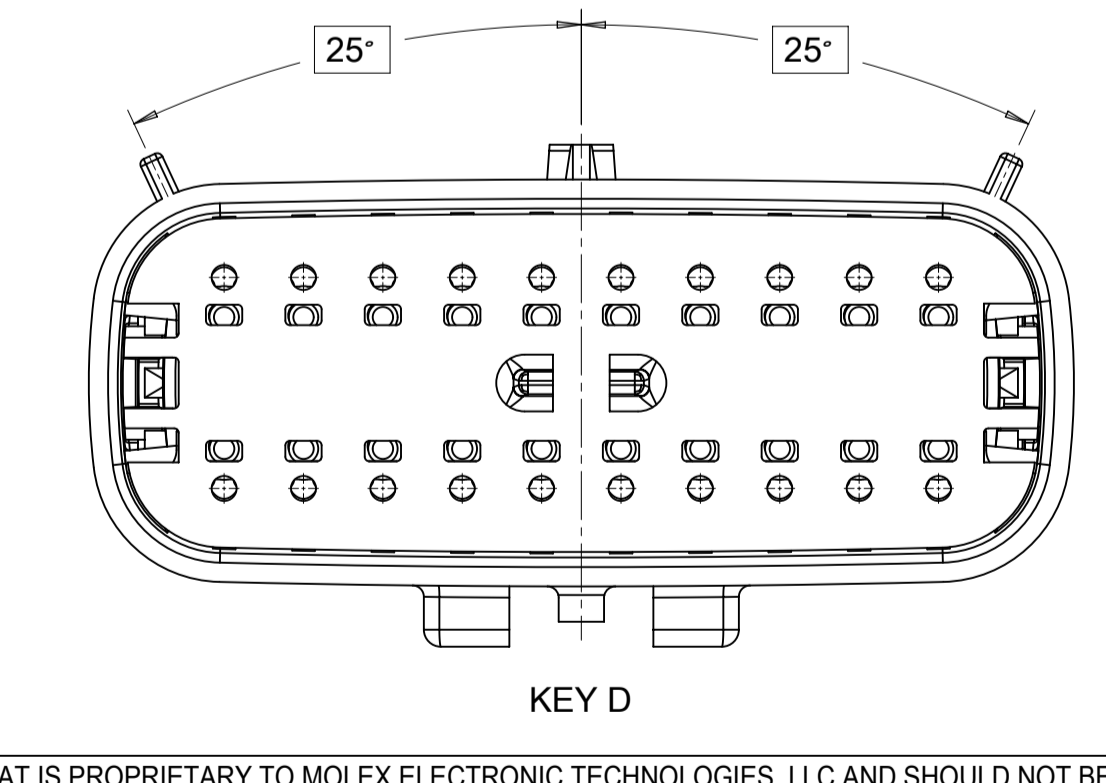
KEY A



KEY B



KEY C

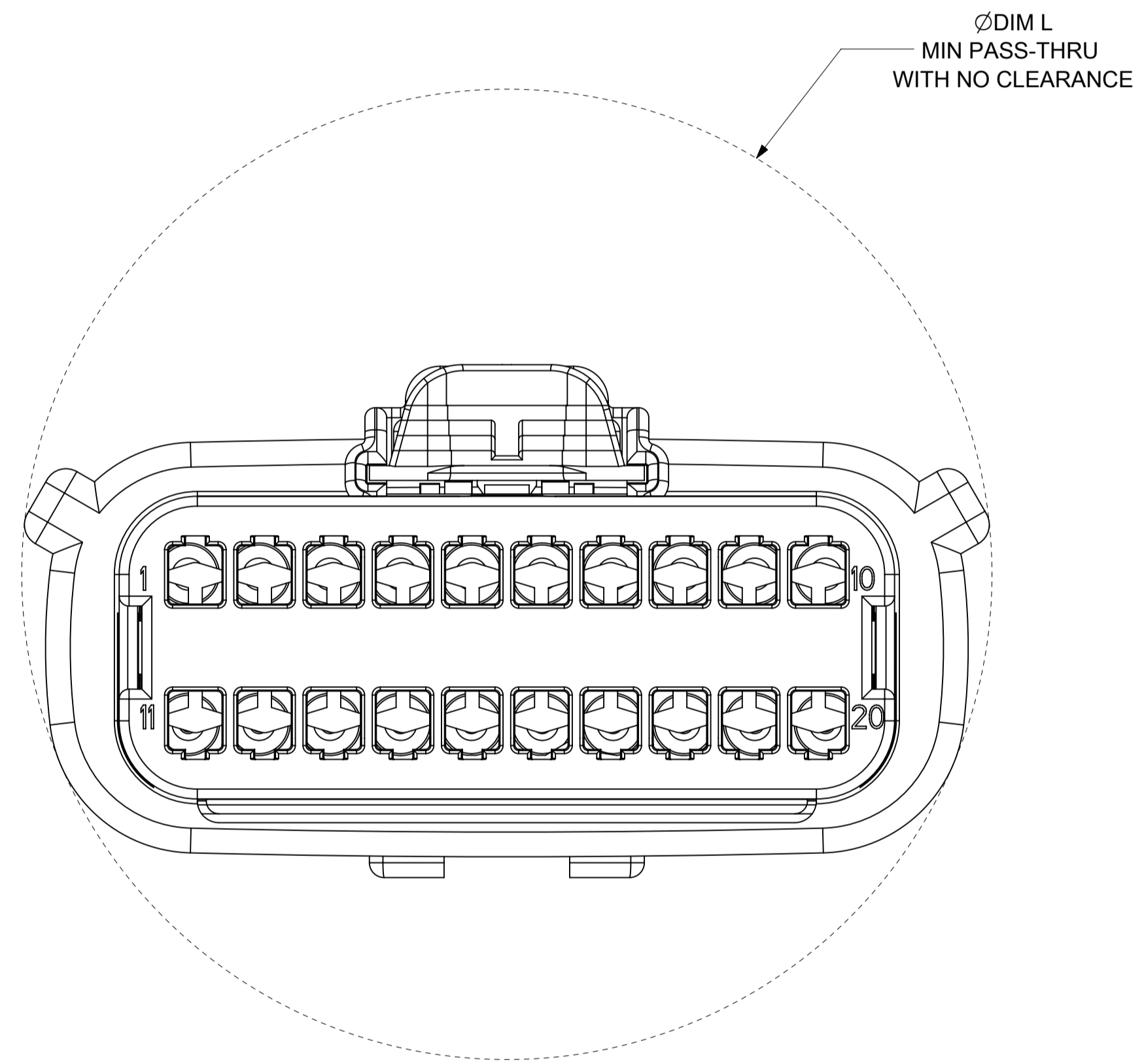
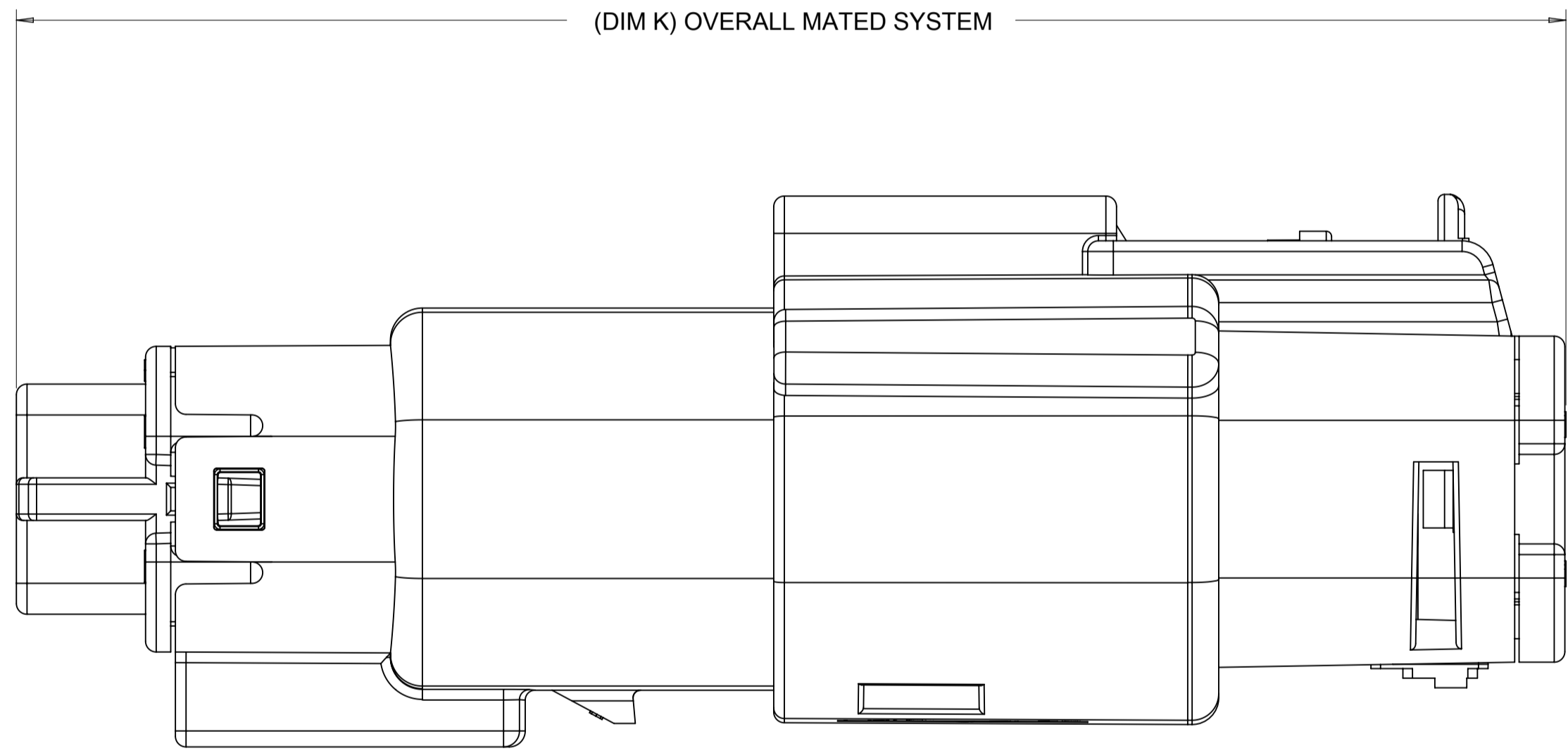


KEY D

SYMBOLS = 0 = 0 = 0 = 0 = 0 = 0 = 0 = 0 = 0 = 0	THIS DRAWING CONTAINS INFORMATION THAT IS PROPRIETARY TO MOLEX ELECTRONIC TECHNOLOGIES, LLC AND SHOULD NOT BE USED WITHOUT WRITTEN PERMISSION DIMENSION UNITS: mm SCALE: 3:1	CURRENT REV DESC: EC NO: 171650 DRWN: PMANJUNATHAC 2018/01/03 CHK'D: MVANSLAMBROU 2018/02/16 APPR: MVANSLAMBROU 2018/02/16			
	GENERAL TOLERANCES (UNLESS SPECIFIED) ANGULAR TOL ± 1.0° 4 PLACES ± 3 PLACES ± 2 PLACES ± 0.1 1 PLACE ± 0.2 0 PLACES ±	INITIAL REVISION: DRWN: APROFFITT 2014/04/28 APPR: VKOSHY 2014/05/14	PRODUCT CUSTOMER DRAWING DOCUMENT NUMBER: SD-33482-0001 DOC TYPE: PSD DOC PART: 001 REVISION: E2		
DRAFT WHERE APPLICABLE MUST REMAIN WITHIN DIMENSIONS	THIRD ANGLE PROJECTION 	DRAWING: A1-SIZE SERIES: 33482	MATERIAL NUMBER GENERAL MARKET	CUSTOMER GENERAL MARKET	SHEET NUMBER 4 OF 11

SHEET DESCRIPTION
SYSTEM PACKAGING

CHARTED DIMENSION				
CKT	BLADE CONFIGURATION	RECEPTACLE CONFIGURATION	DIMENSIONS	
			K	L
2X2	STANDARD	W/O CLIPSLOT	72.78	28.00
		W/ CLIPSLOT	72.78	28.50
		LENGTHENED	77.21	28.00
2X3	STANDARD	W/O CLIPSLOT	72.78	28.00
		W/ CLIPSLOT		30.50
	LENGTHENED	W/O CLIPSLOT	74.79	28.00
		W/ CLIPSLOT		30.50
2X4	STANDARD	W/O CLIPSLOT	72.78	29.50
		W/ CLIPSLOT		31.50
2X6	STANDARD	W/O CLIPSLOT	72.79	35.58
		W/ CLIPSLOT		
2X8	STANDARD	W/O CLIPSLOT	72.67	42.25
		W/ CLIPSLOT		
2X10	STANDARD	STANDARD	72.78	49.05



SYMBOLS ▽ = 0 ▽ = 0 ▽ = 0 ▽ = 0 ▽ = 0 ▽ = 0 ▽ = 0 ▽ = 0 ▽ = 0 ▽ = 0 ▽ = 0	THIS DRAWING CONTAINS INFORMATION THAT IS PROPRIETARY TO MOLEX ELECTRONIC TECHNOLOGIES, LLC AND SHOULD NOT BE USED WITHOUT WRITTEN PERMISSION	DIMENSION UNITS	SCALE	CURRENT REV DESC:						
	mm	4:1	EC NO: 171650 DRWN: PMANJUNATHAC 2018/01/03 CHK'D: MVANSLAMBROU 2018/02/16 APPR: MVANSLAMBROU 2018/02/16							
	GENERAL TOLERANCES (UNLESS SPECIFIED)					INITIAL REVISION: DRWN: APROFFITT 2014/04/28 APPR: VKOSHY 2014/05/14			PRODUCT CUSTOMER DRAWING	
	ANGULAR TOL ± 1.0°				DOCUMENT NUMBER SD-33482-0001				DOC TYPE	DOC PART
	4 PLACES ±							MATERIAL NUMBER 33482		
	3 PLACES ±				THIRD ANGLE PROJECTION 					
	2 PLACES ± 0.1							DRAWING A1-SIZE		
	1 PLACE ± 0.2									
	0 PLACES ±				DRAFT WHERE APPLICABLE MUST REMAIN WITHIN DIMENSIONS			CUSTOMER GENERAL MARKET	SHEET NUMBER 6 OF 11	
	DRAFT WHERE APPLICABLE MUST REMAIN WITHIN DIMENSIONS									

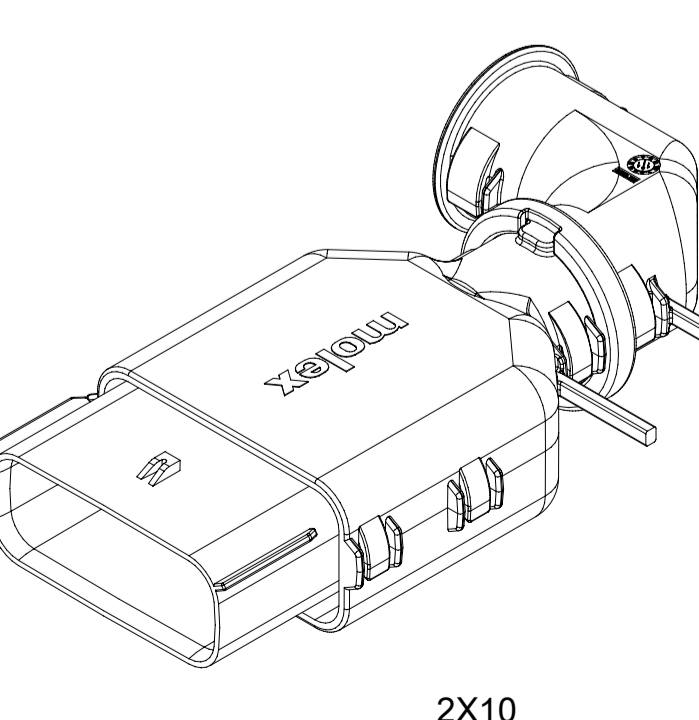
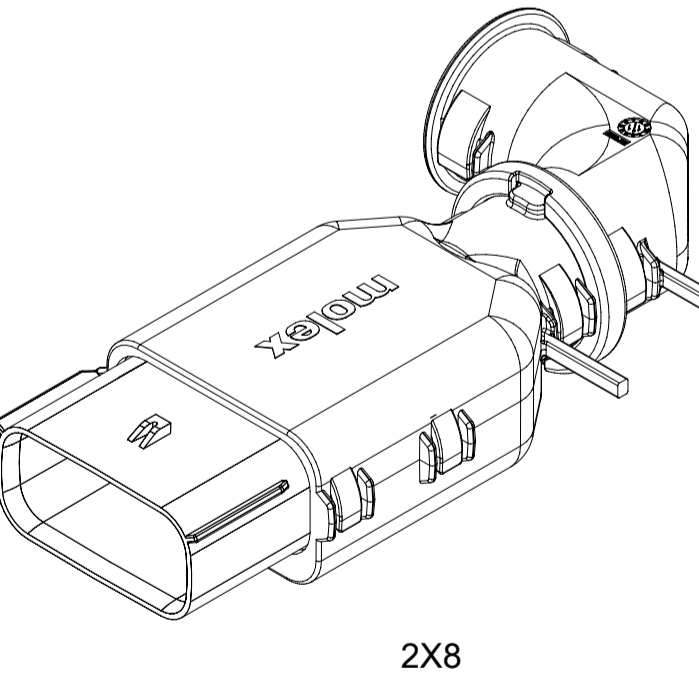
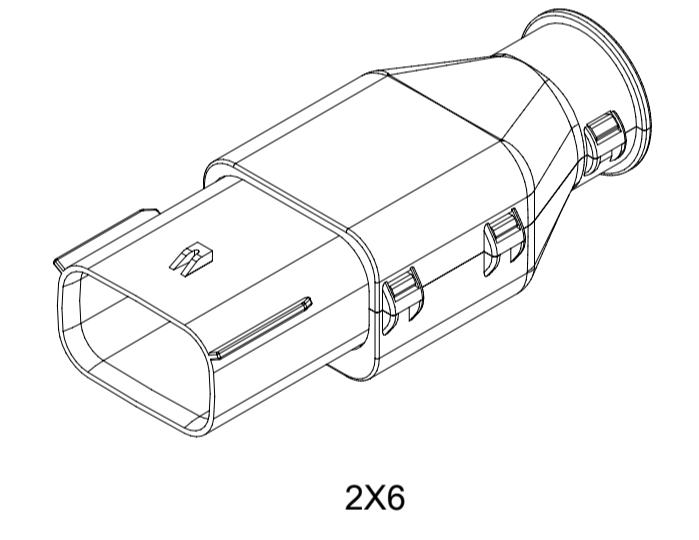
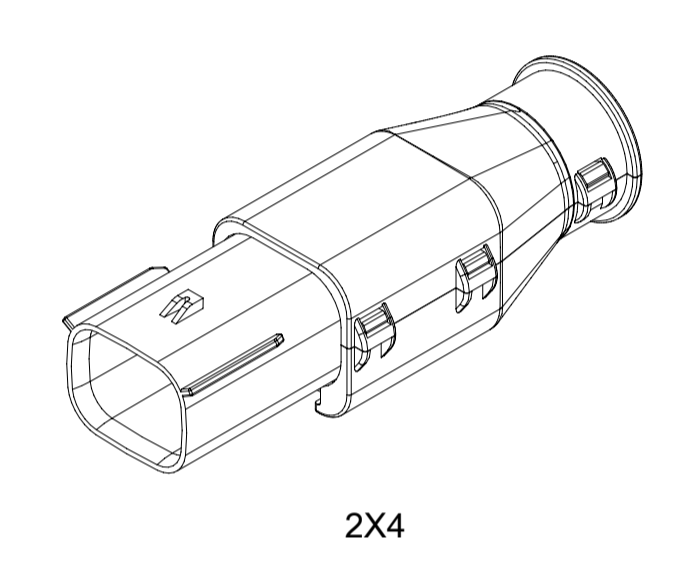
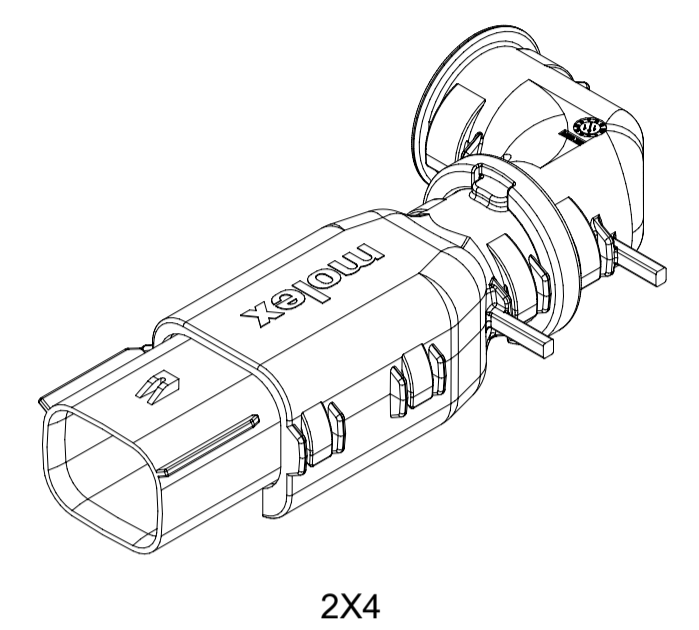
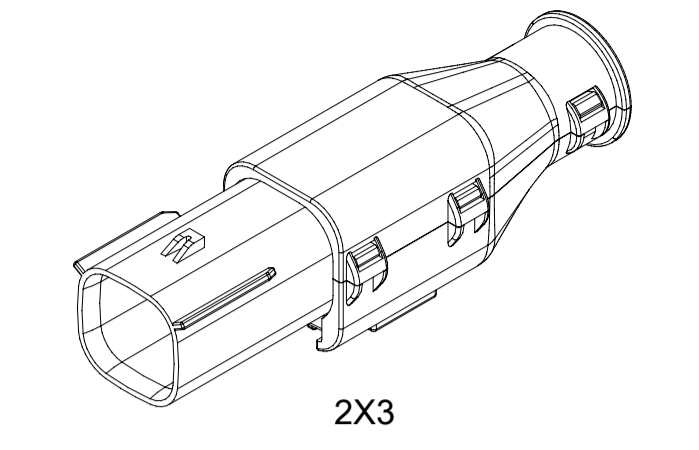
SHEET DESCRIPTION
BACKSHELL NOTES

BACKSHELL NOTES: VALID UNLESS OTHERWISE SPECIFIED

1. GENERAL:

a. APPLICATION SPECIFICATION SEE: AS-34951-001

- DESIGNED TO MATE WITH BLADE SEALED ASSEMBLY SPECIFIED IN MOLEX DRAWING SD-33482-0001.
- SYSTEM TO BE USED WITH WIRE WITHIN DIAMETER RANGE OF 1.2mm TO 2.69mm.
- COMPONENTS ARE OPTIONAL AND MUST BE PURCHASED SEPERATELY.
- DESIGN IS OWNED BY SCHLEMMER FOR SCHLEMMER BACKSHELL.
- DESIGN IS OWNED BY MOLEX FOR MOLEX BACKSHELL.
- 90° ADAPTOR DESIGN IS OWNED BY MOLEX.
- FOR ADDITIONAL INFORMATION SEE THE BACKSHELL COMPONENT DRAWING SD-34950-0001.



BACKSHELL CUSTOMER MODEL NUMBER LEGEND

34950-XXXX

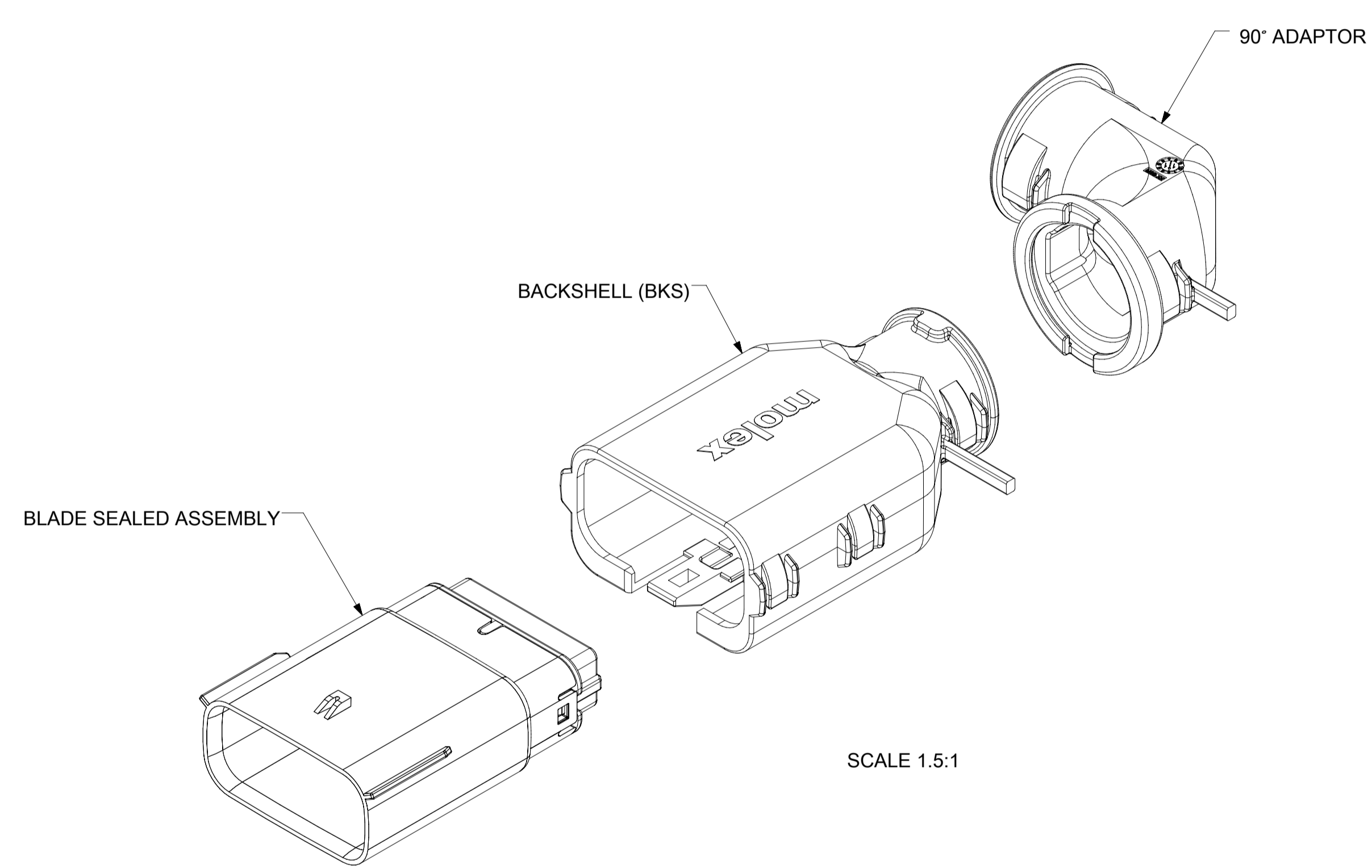
CUSTOMER MODEL COMPONENTS

- 0 - SCHLEMMER BACKSHELL ONLY
- 1 - SCHLEMMER BACKSHELL & MX150 HOUSING KEY A ASSEMBLY
- 2 - SCHLEMMER BACKSHELL & MX150 HOUSING KEY B ASSEMBLY
- 3 - SCHLEMMER BACKSHELL & MX150 HOUSING KEY C ASSEMBLY
- 4 - SCHLEMMER BACKSHELL & MX150 HOUSING KEY D ASSEMBLY
- 5 - MOLEX BACKSHELL ONLY
- 6 - MOLEX BACKSHELL & MX150 HOUSING KEY A ASSEMBLY
- 7 - MOLEX BACKSHELL & MX150 HOUSING KEY B ASSEMBLY
- 8 - MOLEX BACKSHELL & MX150 HOUSING KEY C ASSEMBLY
- 9 - MOLEX BACKSHELL & MX150 HOUSING KEY D ASSEMBLY

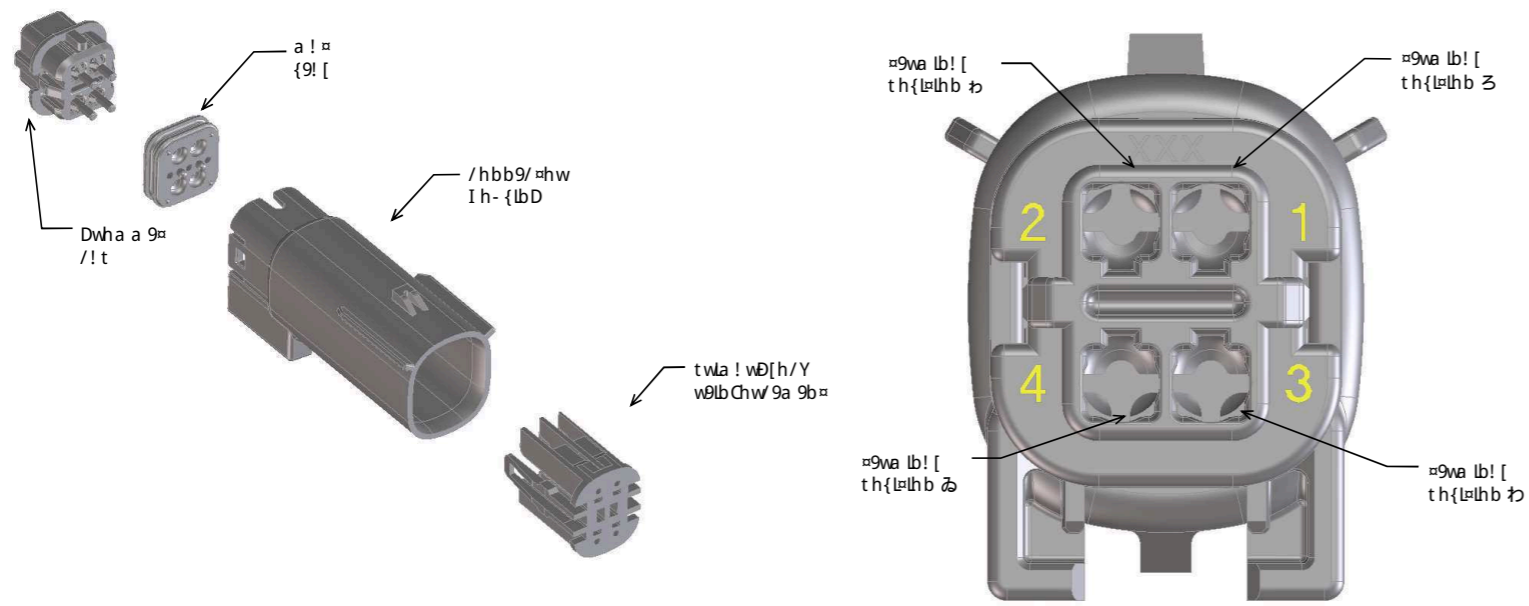
BACKSHELL FEATURES

- 1 - WITH RIBS
- 2 - WITHOUT RIBS
- 3 - 90° ADAPTOR

MX150 CIRCUIT SIZE 04, 06, 08, 12, 16, 20



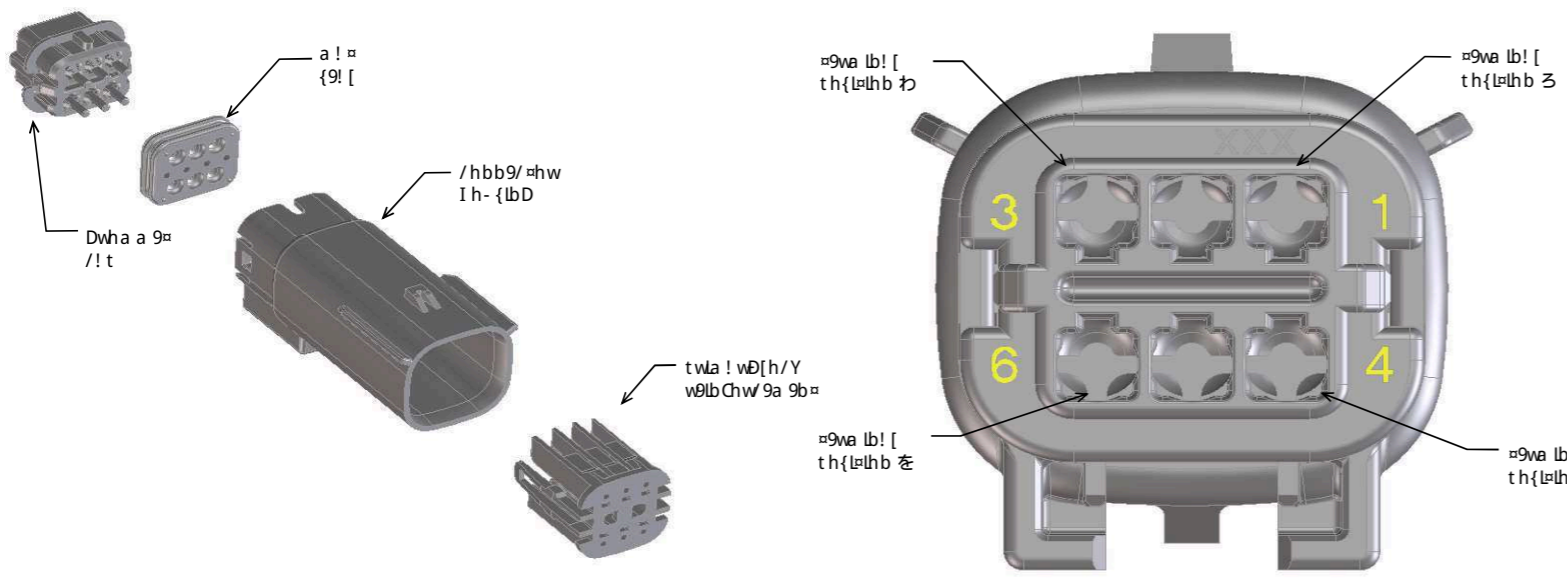
SYMBOLS = 0 = 0 = 0 = 0 = 0 = 0 = 0 = 0 = 0	THIS DRAWING CONTAINS INFORMATION THAT IS PROPRIETARY TO MOLEX ELECTRONIC TECHNOLOGIES, LLC AND SHOULD NOT BE USED WITHOUT WRITTEN PERMISSION	DIMENSION UNITS mm	SCALE 1.5:1	CURRENT REV DESC: EC NO: 171650 DRWN: PMANJUNATHAC 2018/01/03 CHK'D: MVANSLAMBROU 2018/02/16 APPR: MVANSLAMBROU 2018/02/16	 MX150 BLADE DUAL ROW SEALED ASSEMBLY MAT SEAL		
	GENERAL TOLERANCES (UNLESS SPECIFIED) ANGULAR TOL ± 1.0° 4 PLACES ± 3 PLACES ± 2 PLACES ± 0.1 1 PLACE ± 0.2 0 PLACES ±	INITIAL REVISION: DRWN: APROFFITT 2014/04/28 APPR: VKOSHY 2014/05/14	DOCUMENT NUMBER SD-33482-0001	DOC TYPE PSD			
DRAFT WHERE APPLICABLE MUST REMAIN WITHIN DIMENSIONS	THIRD ANGLE PROJECTION	DRAWING A1-SIZE	SERIES 33482	MATERIAL NUMBER CUSTOMER GENERAL MARKET	SHEET NUMBER 7 OF 11		



! . w9! ll =lhb	59{/wlt =lhb	/h[hw	a ! 9wll [
! [Y	I h- {lbD=99lbD ht=lhb !	. [! /Y	{t {lbE[hb DC#
. [ED	I h- {lbD=99lbD ht=lhb .	[lDI = Dw E	{t {lbE[hb DC#
/ [EW	I h- {lbD=99lbD ht=lhb /	. wh° b	{t {lbE[hb DC#
5 [Dw	I h- {lbD=99lbD ht=lhb 5	Dw99b	{t {lbE[hb DC#
/ [SD	I h- {lbD=99lbD ht=lhb /	5! wW Dw E	{t {lbE[hb DC#
5 [ED	I h- {lbD=99lbD ht=lhb 5	{=hb9 Dw E	{t {lbE[hb DC#
! [EP	I h- {lbD=99lbD ht=lhb !	E9[h°	{t {lbE[hb DC#
D/t	Dwha a 9=!! t t[- DD95,	. [! /Y	{t {lbE[hb DC#
D/h	Dwha a 9=!! t ht9b,	. [! /Y	{t {lbE[hb DC#
t[w	t[w	b! =- w [{t {lbE[hb DC#
a	a ! 9! [whE [. [- 9	lbI 9w0b=[D[- . w/! =95 {ll/hb9

Chw! 55=lbh! [lbChwa ! =lhb {99 {5

! {{9a . [D59{/wlt =lhb	! {{9a . [D t! w° b- a . 9w	/ha thb9b=				. [h/Y95 =9wa lb! [{										{=l - {	/ha a 9b={	ht=lhb! [! =l =I a 9b={ {h{5 {9t 9w =9[D		
		I h- {lbD Y9D=ll[h/hw	Dwha a 9= /! t	t[w	a ! 9! [3	わ	わ	ゐ											. [! /Y{I 9[° lEI wL {
Y9D! [! /Y		! [Y	D/h	t[w	a														{! [9! . [9	
Y9D. [lDI = Dw E		. [ED	D/h	t[w	a														{! [9! . [9	
Y9D/ [wh° b		/ [EW	D/h	t[w	a														bh=w9/ ha a 9b595	{99
Y9D5=Dw99b		5 [Dw	D/h	t[w	a														bh=w9/ ha a 9b595	{99
Y9D! [! /Y		! [Y	D/t	t[w	a														{! [9! . [9	
Y9D. [lDI = Dw E		. [ED	D/t	t[w	a														{! [9! . [9	
Y9D/ [wh° b		/ [EW	D/t	t[w	a														bh=w9/ ha a 9b595	{99
Y9D5=Dw99b		5 [Dw	D/t	t[w	a														bh=w9/ ha a 9b595	{99
Y9D! [! /Y		! [Y	D/t	t[w	a														{! [9! . [9	
Y9D. [lDI = Dw E		. [ED	D/t	t[w	a														{! [9! . [9	
Y9D/ [wh° b		/ [EW	D/t	t[w	a														bh=w9/ ha a 9b595	{99
Y9D5=Dw99b		5 [Dw	D/t	t[w	a														bh=w9/ ha a 9b595	{99
Y9D! [! /Y		! [Y	D/t	t[w	a														{! [9! . [9	
Y9D. [lDI = Dw E		. [ED	D/t	t[w	a														{! [9! . [9	
Y9D/ [wh° b		/ [EW	D/t	t[w	a														bh=w9/ ha a 9b595	{99
Y9D5=Dw99b		5 [Dw	D/t	t[w	a														bh=w9/ ha a 9b595	{99
Y9D! [! /Y		! [Y	D/t	t[w	a														{! [9! . [9	
Y9D. [lDI = Dw E		. [ED	D/t	t[w	a														{! [9! . [9	
Y9D/ [wh° b		/ [EW	D/t	t[w	a														bh=w9/ ha a 9b595	{99
Y9D5=Dw99b		5 [Dw	D/t	t[w	a														bh=w9/ ha a 9b595	{99
Y9D! [! /Y		! [Y	D/t	t[w	a														{! [9! . [9	
Y9D. [lDI = Dw E		. [ED	D/t	t[w	a														{! [9! . [9	
Y9D/ [wh° b		/ [EW	D/t	t[w	a														bh=w9/ ha a 9b595	{99
Y9D5=Dw99b		5 [Dw	D/t	t[w	a														bh=w9/ ha a 9b595	{99
Y9D! [! /Y		! [Y	D/t	t[w	a														{! [9! . [9	
Y9D. [lDI = Dw E		. [ED	D/t	t[w	a														{! [9! . [9	
Y9D/ [wh° b		/ [EW	D/t	t[w	a														bh=w9/ ha a 9b595	{99
Y9D5=Dw99b		5 [Dw	D/t	t[w	a														bh=w9/ ha a 9b595	{99
Y9D! [! /Y		! [Y	D/t	t[w	a														{! [9! . [9	
Y9D. [lDI = Dw E		. [ED	D/t	t[w	a														{! [9! . [9	
Y9D/ [wh° b		/ [EW	D/t	t[w	a														bh=w9/ ha a 9b595	{99
Y9D5=Dw99b		5 [Dw	D/t	t[w	a														bh=w9/ ha a 9b595	{99
Y9D! [! /Y		! [Y	D/t	t[w	a														{! [9! . [9	
Y9D. [lDI = Dw E		. [ED	D/t	t[w	a														{! [9! . [9	
Y9D/ [wh° b		/ [EW	D/t	t[w	a														bh=w9/ ha a 9b595	{99
Y9D5=Dw99b		5 [Dw	D/t	t[w	a														bh=w9/ ha a 9b595	{99
Y9D! [! /Y		! [Y	D/t	t[w	a														{! [9! . [9	
Y9D. [lDI = Dw E		. [ED	D/t	t[w	a														{! [9! . [9	
Y9D/ [wh° b		/ [EW	D/t	t[w	a														bh=w9/ ha a 9b595	{99
Y9D5=Dw99b		5 [Dw	D/t	t[w	a														bh=w9/ ha a 9b595	{99
Y9D! [! /Y		! [Y	D/t	t[w	a														{! [9! . [9	
Y9D. [lDI = Dw E		. [ED	D/t	t[w	a														{! [9! . [9	
Y9D/ [wh° b		/ [EW	D/t	t[w	a														bh=w9/ ha a 9b595	{99
Y9D5=Dw99b		5 [Dw	D/t	t[w	a														bh=w9/ ha a 9b595	{99
Y9D! [! /Y		! [Y	D/t	t[w	a														{! [9! . [9	
Y9D. [lDI = Dw E		. [ED	D/t	t[w	a														{! [9! . [9	
Y9D/ [wh° b		/ [EW	D/t	t[w	a														bh=w9/ ha a 9b595	{99
Y9D5=Dw99b		5 [Dw	D/t	t[w	a														bh=w9/ ha a 9b595	{99
Y9D! [! /Y		! [Y	D/t	t[w	a														{! [9! . [9	
Y9D. [lDI = Dw E		. [ED	D/t	t[w	a														{! [9! . [9	
Y9D/ [wh° b		/ [EW	D/t	t[w	a														bh=w9/ ha a 9b595	{99
Y9D5=Dw99b		5 [Dw	D/t	t[w	a														bh=w9/ ha a 9b595	{99
Y9D! [! /Y		! [Y	D/t	t[w	a														{! [9! . [9	
Y9D. [lDI = Dw E		. [ED	D/t	t[w	a														{! [9! . [9	
Y9D/ [wh° b		/ [EW	D/t	t[w	a														bh=w9/ ha a 9b595	{99
Y9D5=Dw99b		5 [Dw	D/t	t[w	a														bh=w9/ ha a 9b595	{99
Y9D! [! /Y		! [Y	D/t	t[w	a														{! [9! . [9	
Y9D. [lDI = Dw E		. [ED	D/t	t[w	a														{! [9! . [9	
Y9D/ [wh° b		/ [EW	D/t	t[w	a														bh=w9/ ha a 9b595	{99
Y9D5=Dw99b		5 [Dw	D/t	t[w	a														bh=w9/ ha a 9b595	{99
Y9D! [! /Y		! [Y	D/t	t[w	a														{! [9! . [9	
Y9D. [lDI = Dw E		. [ED	D/t	t[w	a														{! [9! . [9	
Y9D/ [wh° b		/ [EW	D/t	t[w	a														bh=w9/ ha a 9b595	{99
Y9D5=Dw99b		5 [Dw	D/t	t[w	a														bh=w9/ ha a 9b595	{99
Y9D! [! /Y		! [Y	D/t	t[w	a														{! [9! . [9	
Y9D. [lDI = Dw E		. [ED	D/t	t[w	a														{! [9! . [9	
Y9D/ [wh° b		/ [EW	D/t	t[w	a														bh=w9/ ha a 9b595	{99
Y9D5=Dw99b		5 [Dw	D/t	t[w	a														bh=w9/ ha a 9b595	{99
Y9D! [! /Y		! [Y	D/t	t[w	a														{! [9! . [9	
Y9D. [lDI = Dw E		. [ED	D/t	t[w	a														{! [9! . [9	
Y9D/ [wh° b		/ [EW	D/t	t[w	a														bh=w9/ ha a 9b595	{99
Y9D5=Dw99b		5 [Dw	D/t	t[w	a														bh=w9/ ha a 9b595	{99
Y9D! [! /Y		! [Y	D/t	t[w	a														{! [9! . [9	
Y9D. [lDI = Dw E		. [ED	D/t	t[w	a														{! [9! . [9	
Y9D/ [wh° b		/ [EW	D/t	t[w	a														bh=w9/ ha a 9b595	{99
Y9D5=Dw99b		5 [Dw	D/t	t[w	a														bh=w9/ ha a 9b595	{99
Y9D! [! /Y		! [Y	D/t	t[w	a														{! [9! . [9	
Y9D. [lDI = Dw E		. [ED	D/t	t[w	a														{! [9! . [9	
Y9D/ [wh° b		/ [EW	D/t	t[w	a														bh=w9/ ha a 9b595	{99
Y9D5=Dw99b		5 [Dw	D/t	t[w	a														bh=w9/ ha a 9b595	{99
Y9D! [! /Y		! [Y	D/t	t[w	a														{! [9! . [9	
Y9D. [lDI = Dw E		. [ED	D/t	t[w	a														{! [9! . [9	
Y9D/ [wh° b		/ [EW	D/t	t[w	a														bh=w9/ ha a 9b595	{99
Y9D5=Dw99b		5 [Dw	D/t	t[w	a														bh=w9/ ha a 9b595	{99
Y9D! [! /Y		! [Y	D/t	t[w	a														{! [9! . [9	
Y9D. [lDI = Dw E		. [ED	D/t	t[w	a														{! [9! . [9	
Y9D/ [wh° b		/ [EW	D/t	t[w	a														bh=w9/ ha a 9b595	{99
Y9D5=Dw99b		5 [Dw	D/t	t[w	a														bh=w9/ ha a 9b595	{99
Y9D! [! /Y		! [Y	D/t	t[w	a														{! [9! . [9	
Y9D. [lDI = Dw E		. [ED	D/t	t[w	a														{! [9! . [9	
Y9D/ [wh° b		/ [EW	D/t	t[w	a														bh=w9/ ha a 9b595	{99
Y9D5=Dw99b		5 [Dw																		



! . . w 0 ! l l a h b	5 9 / w t a h b	/ h [h w	a ! a 9 w l [
! [Y	I h - { l b D a 9 b 9 D h t a h b !	. [! / Y	{ t { a b E [h b D C #
. [E D	I h - { l b D a 9 b 9 D h t a h b .	[l D I a D w E	{ t { a b E [h b D C #
/ [E w	I h - { l b D a 9 b 9 D h t a h b /	. w h ° b	{ t { a b E [h b D C #
5 [D w	I h - { l b D a 9 b 9 D h t a h b 5	D w 0 9 b	{ t { a b E [h b D C #
/ [5 D	I h - { l b D a 9 b 9 D h t a h b /	5 ! w D w E	{ t { a b E [h b D C #
5 [E D	I h - { l b D a 9 b 9 D h t a h b 5	{ = h b 9 D w E	{ t { a b E [h b D C #
! [E P	I h - { l b D a 9 b 9 D h t a h b !	E 0 [[h °	{ t { a b E [h b D C #
D /	D w h a a 9 a / ! t { a ! b 5 ! w 5	. [! / Y	{ t { a b E [h b D C #
D / [D w h a a 9 a / ! t [9 b D a I 9 b 9 5	. [! / Y	{ t { a b E [h b D C #
t [w	t [w	b ! a - w [{ t { a b E [h b D C #
a	a ! a { 9 ! [w h E [. [- 9	l b I 9 w 0 b a [D [- . w ! / a 9 5 { [l / h b 9

Chw ! 5 5 l b h ! [l b C h w a ! a h b { 9 9 { 5

! { { 9 a . [D 5 9 / w t a h b	! { { 9 a . [D t ! w b - a . 9 w	/ h a t h b 9 b a					. [h / Y 9 5 a 9 w a l b ! [{										{ a ! a - {	/ h a a 9 b a {	h t a h b ! [! a ! a / I a 9 b a { h 5 { 9 t 9 w a 9 [D			
		I h - { l b D Y 9 D a h [h w	D w h a a 9 a / ! t	t [w	a ! a { 9 ! [a [9 t w 0 (9 b / 9 h C ! b ! . . w 0 ! l l a h b l b 5 l ! a 9 [a I 9 t w 0 (9 b / 9 h C a I a / h a t h b 9 b a	/ ! ! l a 0 l a ! ! b - a . 9 w l b 5 l ! a 9 [. [h / Y 9 5 a 9 w a l b ! [t h { l b h b / ! ! l a 0 l a ! ! h - a ! ! b - a . 9 w l b 5 l ! a 9 [h t 9 b a 9 w a l b ! [t h { l b h b												. [! / Y [9 [° l a w l {	. [! / Y [9 [° l a h - a w l {		
							ろ	わ	わ	ゐ	ゑ	を										
Y9D [! / Y		! [Y	D /	t [w	a													{ ! [9 ! . [9				
Y9D [! / Y		. [E D	D /	t [w	a													{ ! [9 ! . [9				
Y9D / w h ° b		/ [E w	D /	t [w	a													b h = w 0 / h a a 9 b 5 9 5	{ 9 9			
Y9D 5 [D w 0 9 b		5 [D w	D /	t [w	a													b h = w 0 / h a a 9 b 5 9 5	{ 9 9			
1 h 5 Y 9 E																						
Y9D [! / Y		! [Y	D /	t [w	a													{ ! [9 ! . [9				
Y9D [! / Y		. [E D	D /	t [w	a													{ ! [9 ! . [9				
Y9D / w h ° b		/ [E w	D /	t [w	a													b h = w 0 / h a a 9 b 5 9 5	{ 9 9			
Y9D 5 [D w 0 9 b		5 [D w	D /	t [w	a													b h = w 0 / h a a 9 b 5 9 5	{ 9 9			
1 h 5 Y 9 E																						
Y9D [! / Y		! [Y	D /	t [w	a													{ ! [9 ! . [9				
Y9D [! / Y		. [E D	D /	t [w	a													{ ! [9 ! . [9				
Y9D / w h ° b		/ [E w	D /	t [w	a													b h = w 0 / h a a 9 b 5 9 5	{ 9 9			
Y9D 5 [D w 0 9 b		5 [D w	D /	t [w	a													b h = w 0 / h a a 9 b 5 9 5	{ 9 9			
1 h 5 Y 9 E																						
Y9D [! / Y		! [Y	D /	t [w	a													{ ! [9 ! . [9				
Y9D [! / Y		. [E D	D /	t [w	a													{ ! [9 ! . [9				
Y9D [! / Y		! [Y	D /	t [w	a													{ ! [9 ! . [9				
Y9D [! / Y		! [Y	D /	t [w	a													{ ! [9 ! . [9				
Y9D [! / Y		! [Y	D /	t [w	a													{ ! [9 ! . [9				
Y9D [! / Y		! [Y	D /	t [w	a													{ ! [9 ! . [9				
Y9D [! / Y		! [Y	D /	t [w	a													{ ! [9 ! . [9				
Y9D [! / Y		! [Y	D /	t [w	a													{ ! [9 ! . [9				
Y9D [! / Y		! [Y	D /	t [w	a													{ ! [9 ! . [9				
Y9D [! / Y		! [Y	D /	t [w	a													{ ! [9 ! . [9				
Y9D [! / Y		! [Y	D /	t [w	a													{ ! [9 ! . [9				
Y9D [! / Y		! [Y	D /	t [w	a													{ ! [9 ! . [9				
Y9D [! / Y		! [Y	D /	t [w	a													{ ! [9 ! . [9				
Y9D [! / Y		! [Y	D /	t [w	a													{ ! [9 ! . [9				
Y9D [! / Y		! [Y	D /	t [w	a													{ ! [9 ! . [9				
Y9D [! / Y		! [Y	D /	t [w	a													{ ! [9 ! . [9				
Y9D [! / Y		! [Y	D /	t [w	a													{ ! [9 ! . [9				
Y9D [! / Y		! [Y	D /	t [w	a													{ ! [9 ! . [9				
Y9D [! / Y		! [Y	D /	t [w	a													{ ! [9 ! . [9				
Y9D [! / Y		! [Y	D /	t [w	a													{ ! [9 ! . [9				
Y9D [! / Y		! [Y	D /	t [w	a													{ ! [9 ! . [9				
Y9D [! / Y		! [Y	D /	t [w	a													{ ! [9 ! . [9				
Y9D [! / Y		! [Y	D /	t [w	a													{ ! [9 ! . [9				
Y9D [! / Y		! [Y	D /	t [w	a													{ ! [9 ! . [9				
Y9D [! / Y		! [Y	D /	t [w	a													{ ! [9 ! . [9				
Y9D [! / Y		! [Y	D /	t [w	a													{ ! [9 ! . [9				
Y9D [! / Y		! [Y	D /	t [w	a													{ ! [9 ! . [9				
Y9D [! / Y		! [Y	D /	t [w	a													{ ! [9 ! . [9				
Y9D [! / Y		! [Y	D /	t [w	a													{ ! [9 ! . [9				
Y9D [! / Y		! [Y	D /	t [w	a													{ ! [9 ! . [9				
Y9D [! / Y		! [Y	D /	t [w	a													{ ! [9 ! . [9				
Y9D [! / Y		! [Y	D /	t [w	a													{ ! [9 ! . [9				
Y9D [! / Y		! [Y	D /	t [w	a													{ ! [9 ! . [9				
Y9D [! / Y		! [Y	D /	t [w	a													{ ! [9 ! . [9				
Y9D [! / Y		! [Y	D /	t [w	a													{ ! [9 ! . [9				
Y9D [! / Y		! [Y	D /	t [w	a													{ ! [9 ! . [9				
Y9D [! / Y		! [Y	D /	t [w	a													{ ! [9 ! . [9				
Y9D [! / Y		! [Y	D /	t [w	a													{ ! [9 ! . [9				
Y9D [! / Y		! [Y	D /	t [w	a													{ ! [9 ! . [9				
Y9D [! / Y		! [Y	D /	t [w	a													{ ! [9 ! . [9				
Y9D [! / Y		! [Y	D /	t [w	a													{ ! [9 ! . [9				
Y9D [! / Y		! [Y	D /	t [w	a													{ ! [9 ! . [9				
Y9D [! / Y		! [Y	D /	t [w	a													{ ! [9 ! . [9				
Y9D [! / Y		! [Y	D /	t [w	a													{ ! [9 ! . [9				
Y9D [! / Y		! [Y	D /	t [w	a													{ ! [9 ! . [9				
Y9D [! / Y		! [Y	D /	t [w	a													{ ! [9 ! . [9				
Y9D [! / Y		! [Y	D /	t [w	a													{ ! [9 ! . [9				
Y9D [! / Y		! [Y	D /	t [w	a													{ ! [9 ! . [9				
Y9D [! / Y		! [Y	D /	t [w	a													{ ! [9 ! . [9				
Y9D [! / Y		! [Y	D /	t [w	a													{ ! [9 ! . [9				
Y9D [! / Y		! [Y	D /	t [w	a													{ ! [9 ! . [9				
Y9D [! / Y		! [Y	D /	t [w	a													{ ! [9 ! . [9				
Y9D [! / Y		! [Y	D /	t [w	a													{ ! [9 ! . [9				
Y9D [! / Y		! [Y	D /	t [w	a													{ ! [9 ! . [9				
Y9D [! / Y		! [Y	D /	t [w	a													{ ! [9 ! . [9				
Y9D [! / Y		! [Y	D /	t [w	a													{ ! [9 ! . [9				
Y9D [! / Y		! [Y	D /	t [w	a													{ ! [9 ! . [9				
Y9D [! / Y		! [Y	D /	t [w	a													{ ! [9 ! . [9				
Y9D [! / Y		! [Y	D /	t [w	a													{ ! [9 ! . [9				
Y9D [! / Y		! [Y	D /	t [w	a													{ ! [9 ! . [9				
Y9D [! / Y		! [Y	D /	t [w	a													{ ! [9 ! . [9				
Y9D [! / Y		! [Y	D /	t [w	a													{ ! [9 ! . [9				
Y9D [! / Y		! [Y	D /	t [w	a													{ ! [9 ! . [9				
Y9D [! / Y		! [Y	D /	t [w	a													{ ! [9 ! . [9				
Y9D [! / Y		! [Y	D /	t [w	a													{ ! [9 ! . [9				
Y9D [! / Y		! [Y	D /	t [w	a													{ ! [9 ! . [9				
Y9D [! / Y		! [Y	D /	t [w	a													{ ! [9 ! . [9				
Y9D [! / Y		! [Y	D /	t [w	a													{ ! [9 ! . [9				
Y9D [! / Y		! [Y	D /	t [w	a																	

! {9a . [D59{/wt =lhb	! {9a . [D t! w b- a . 9w	/ha thb9b=				. [h/Y95 =9wa lb! [{											{m - {	/ha a 9b={	ht =lhb! [! m/ I a 9b={ h{5 {9t 9w =9[D				
		=I 9tw9b/9hC! b! . . w9! ll =lhb lb5L! =9{ =I 9 tw9(9b/9hC=I! =/ha thb9b=				/! ' l=9° l=I ! b- a . 9wlb5L! =9{ . [h/Y95 =9wa lb! [th{l=hb /! ' l=9° l=I h- =! b- a . 9wlb5L! =9{ ht9b =9wa lb! [th{l=hb													./Y{I 9[[° l=I wL {	./Y{I 9[[° l=I h- = wL {			
		I h- {lbD Y9D=h[hw	Dwha a 9=	t[w	a! = {9! [ろ	わ	わ	ゐ	ゑ	を												
Y9D! 9[! /Y	!	D/	t[w	a															{! [9! . [9				
Y9D. =I DI = Dw E	.	D/	t[w	a															{! [9! . [9				
Y9D/ =5! wW Dw E	/	D/	t[w	a															{! [9! . [9				
Y9D! 9[! /Y	!	D/	t[w	a															{! [9! . [9				
Y9D! 9[! /Y	!	D/	t[w	a															{! [9! . [9				
Y9D! 9[! /Y	!	D/	t[w	a															{! [9! . [9				
Y9D! 9[! /Y	!	D/	t[w	a															{! [9! . [9				
Y9D! 9[! /Y	!	D/	t[w	a															{! [9! . [9				
Y9D! 9[! /Y	!	D/	t[w	a															{! [9! . [9				
Y9D! 9[! /Y	!	D/	t[w	a															{! [9! . [9				
Y9D. =I DI = Dw E	.	D/	t[w	a															{! [9! . [9				
Y9D. =I DI = Dw E	.	D/	t[w	a															{! [9! . [9				
Y9D! 9[! /Y	!	D/	t[w	a															{! [9! . [9				
Y9D! 9[! /Y	!	D/	t[w	a															{! [9! . [9				
Y9D. =I DI = Dw E	.	D/	t[w	a															{! [9! . [9				

Table with columns for phonetic symbols and their corresponding kana characters. The table is organized into sections based on the initial consonant and vowel combinations, such as /ha thb9b= and /h/Y95 =9wa lb!{.

Table with multiple columns containing alphanumeric codes, symbols, and Japanese characters. The table is organized into several sections with headers like /ha thb9b and . [h/Y95 99wa lb! {.

Table with columns for phonetic symbols, kana characters, and romanized forms. Includes headers for /ha thb9b= and .[h/Y95 =9wa lb! { { and sub-headers for I h- {lbD, Dwha a 9=, t[w, a! = {9! [, etc.

Table with multiple columns containing alphanumeric characters and symbols, organized in a grid format. The table includes various combinations of letters, numbers, and symbols, likely representing a data set or a codebook.

Table with multiple columns containing phonetic symbols and characters, organized into rows and columns. The table includes various symbols like '!', 'Y9D!', and 'D/t' along with Japanese characters and Romanized forms.

