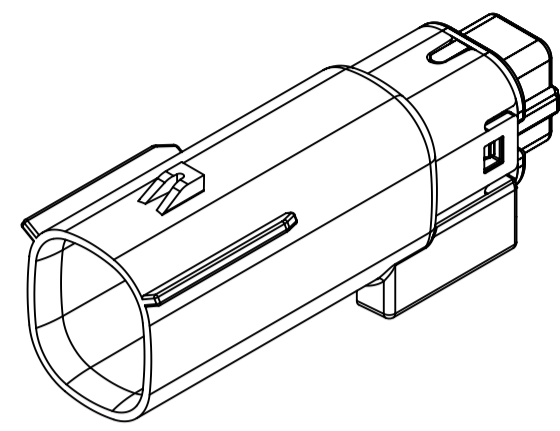
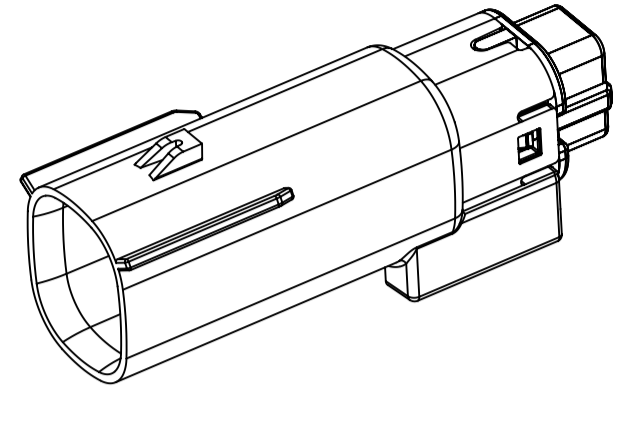


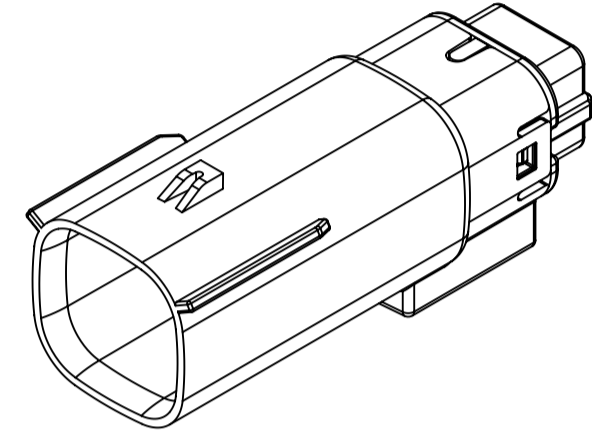
SHEET DESCRIPTION
CONFIGURATIONS



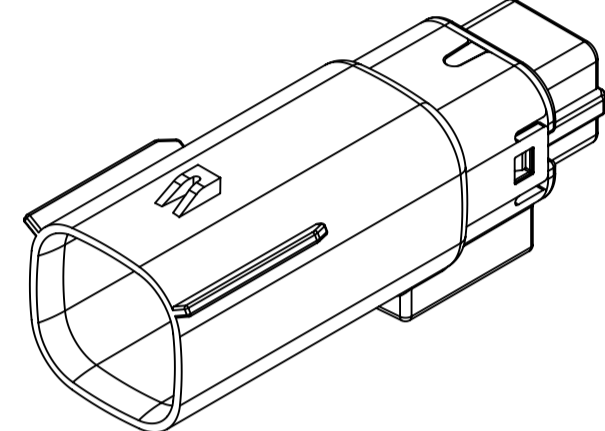
2X2 - STANDARD (STD)



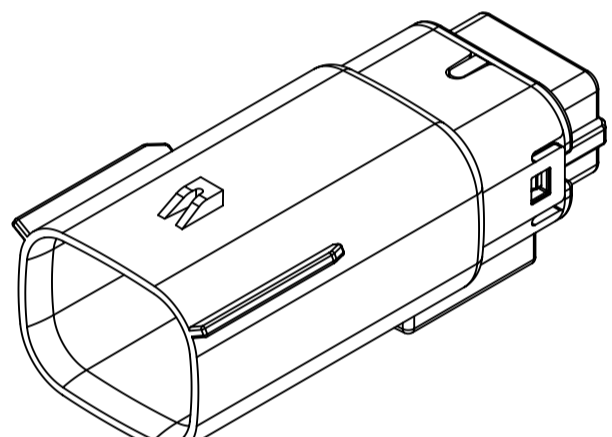
2X2 - UL V0*



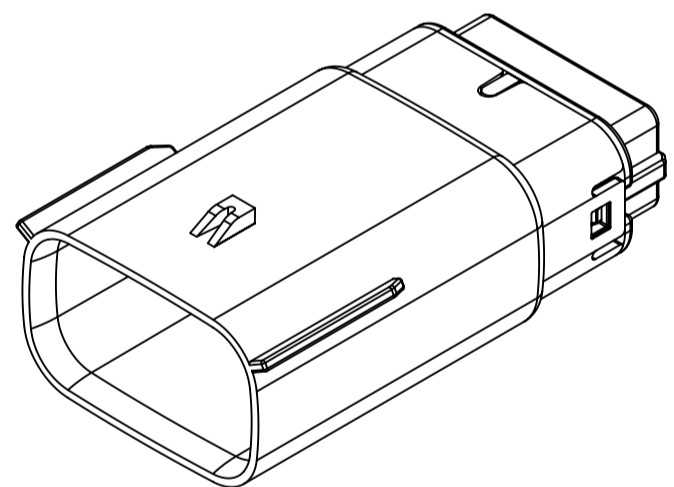
2X3 - STANDARD (STD)



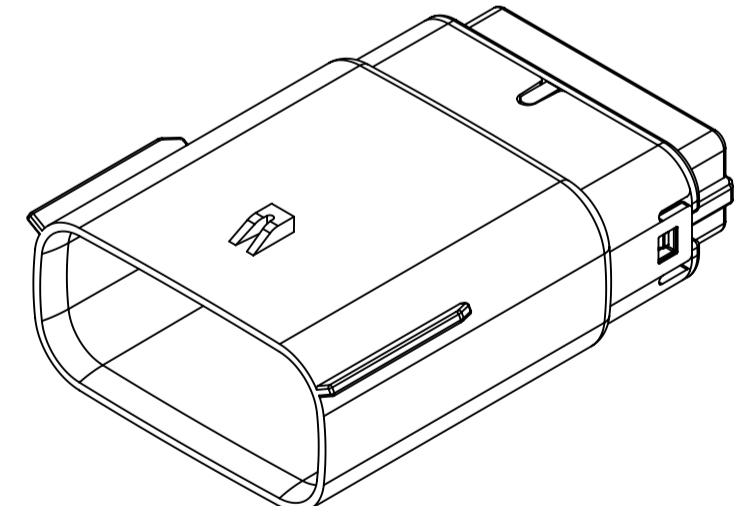
2X3 - LENGTHENED



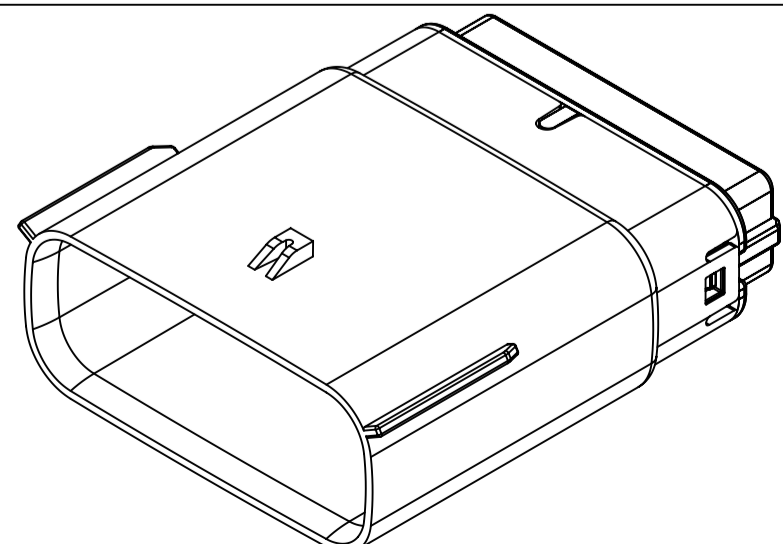
2X4 - STANDARD (STD)



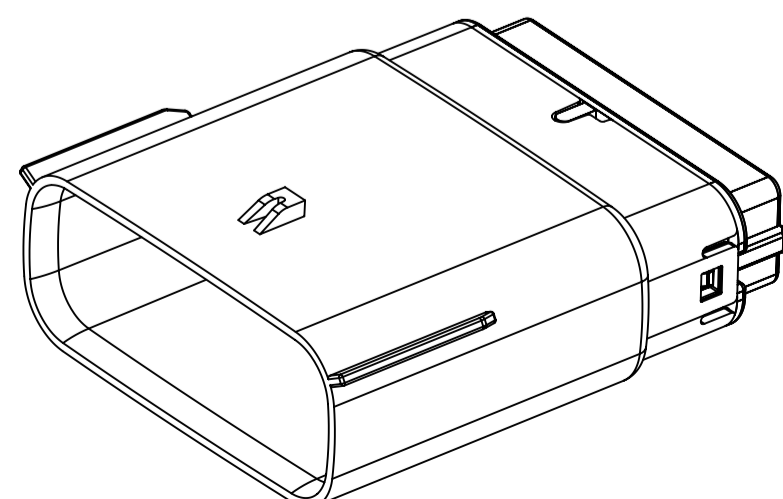
2X6 - STANDARD (STD)



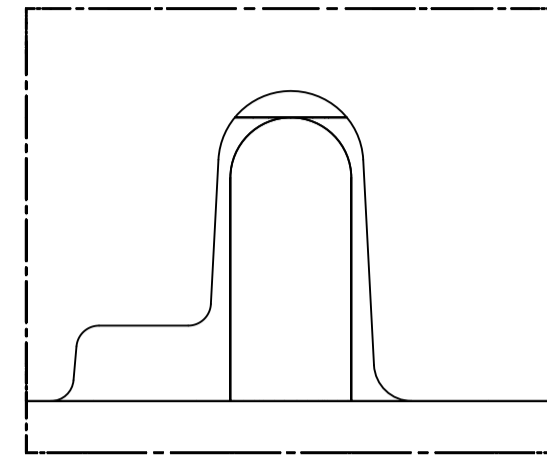
2X8 - STANDARD (STD)



2X10 - STANDARD (STD)



2X10 - UL V0*



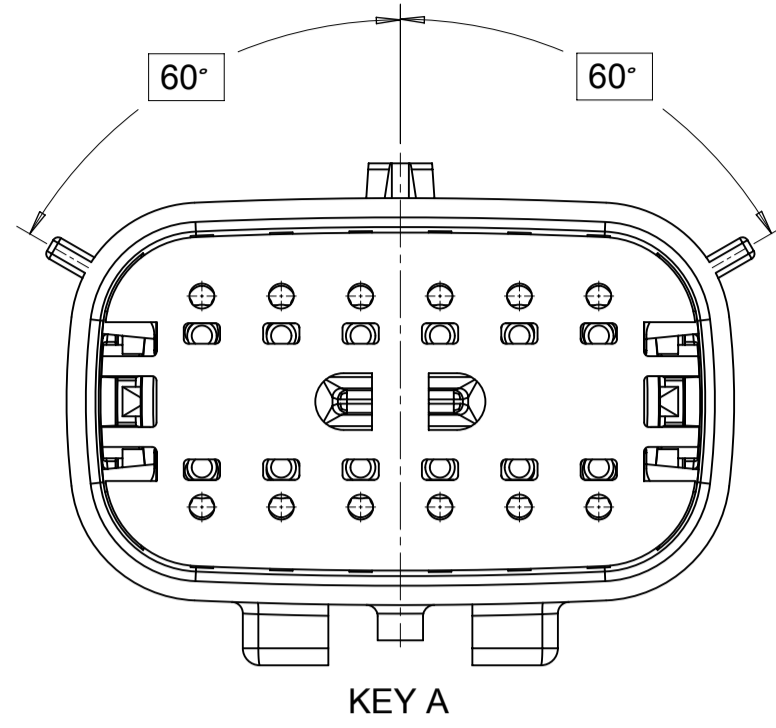
UL V0 UNIQUE FEATURE
Partial1
SCALE 10:1

* MINOR GEOMETRY CHANGE THAN STANDARD CONFIGURATION.
SEE NOTE 2a FOR MORE INFORMATION

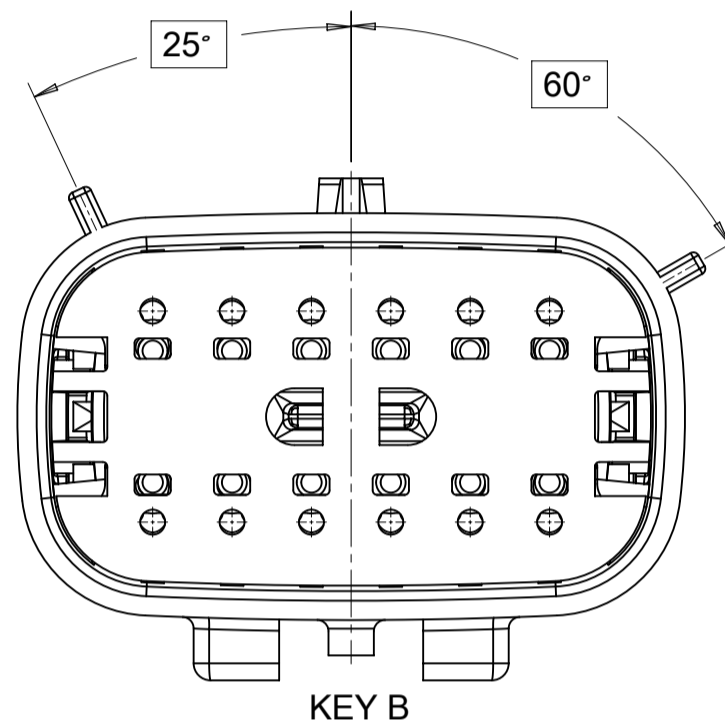
SYMBOLS	THIS DRAWING CONTAINS INFORMATION THAT IS PROPRIETARY TO MOLEX ELECTRONIC TECHNOLOGIES, LLC AND SHOULD NOT BE USED WITHOUT WRITTEN PERMISSION		CURRENT REV DESC:		molex
	DIMENSION UNITS	SCALE			
▽ = 0	mm	1.5:1	EC NO: 171650		MX150 BLADE DUAL ROW SEALED ASSEMBLY MAT SEAL
▽ = 0	GENERAL TOLERANCES (UNLESS SPECIFIED)		DRWN: PMANJUNATHAC 2018/01/03		
▽ = 0	ANGULAR TOL ± 1.0°		CHK'D: MVANSLAMBROU 2018/02/16		
▽ = 0	4 PLACES ±		APPR: MVANSLAMBROU 2018/02/16		
▽ = 0	3 PLACES ±		INITIAL REVISION:		
▽ = 0	2 PLACES ± 0.1		DRWN: APROFFITT 2014/04/28		
▽ = 0	1 PLACE ± 0.2		APPR: VKOSHY 2014/05/14		
▽ = 0	0 PLACES ±		THIRD ANGLE PROJECTION		
▽ = 0	DRAFT WHERE APPLICABLE MUST REMAIN WITHIN DIMENSIONS		DRAWING	SERIES	DOCUMENT NUMBER
			A1-SIZE	33482	SD-33482-0001
					DOC TYPE DOC PART REVISION
					PSD 001 E2
					PRODUCT CUSTOMER DRAWING
					CUSTOMER
					GENERAL MARKET
					SHEET NUMBER
					2 OF 11

SHEET DESCRIPTION
KEY CONFIGURATIONS CONT.

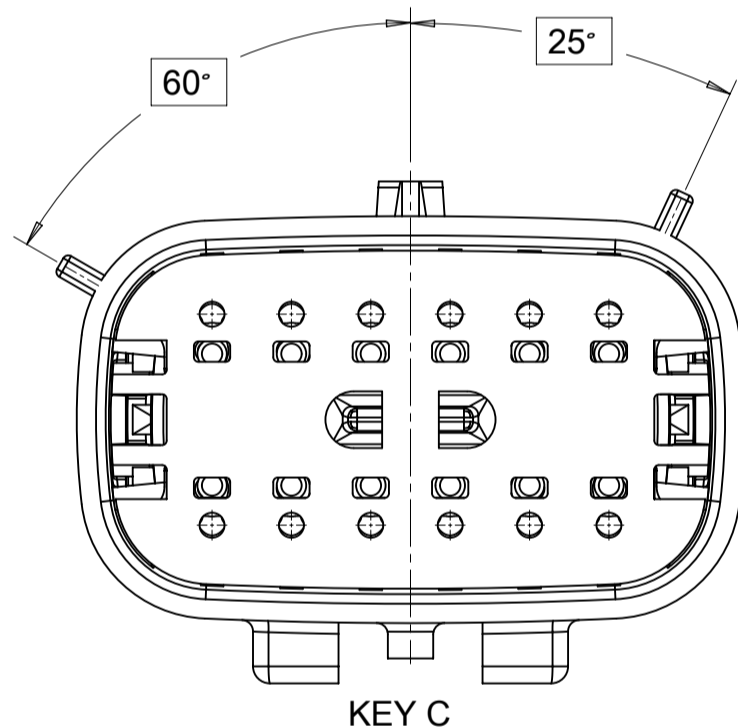
2X6



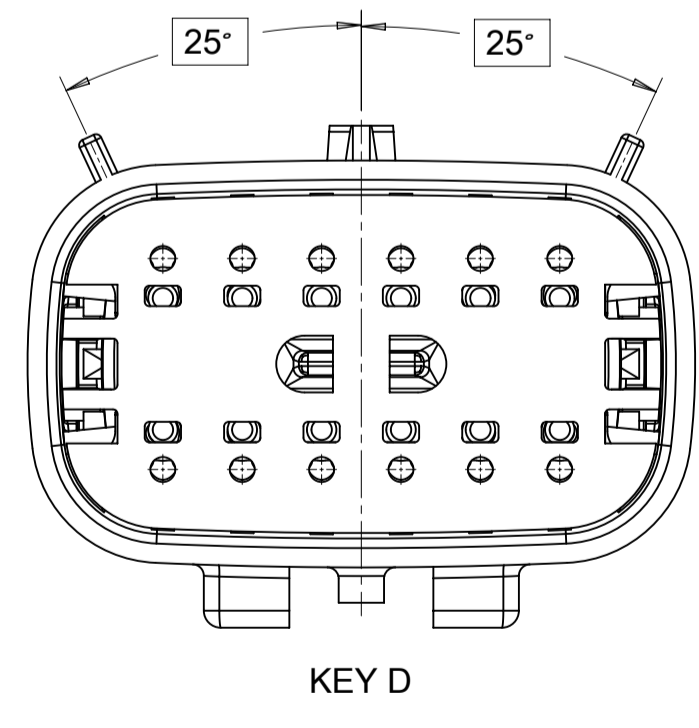
KEY A



KEY B

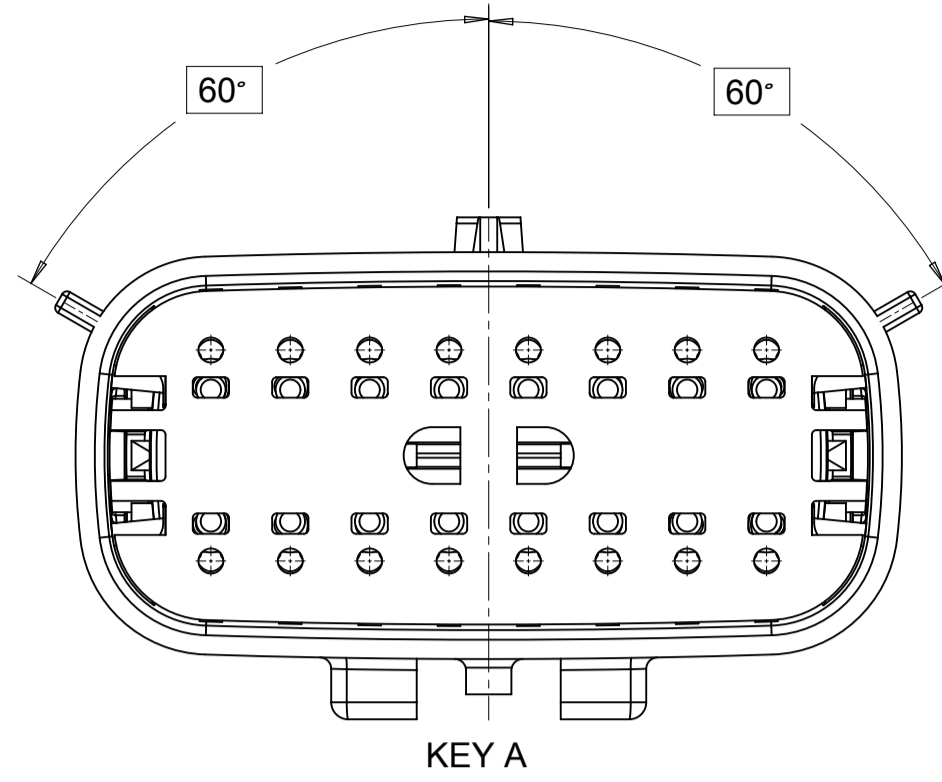


KEY C

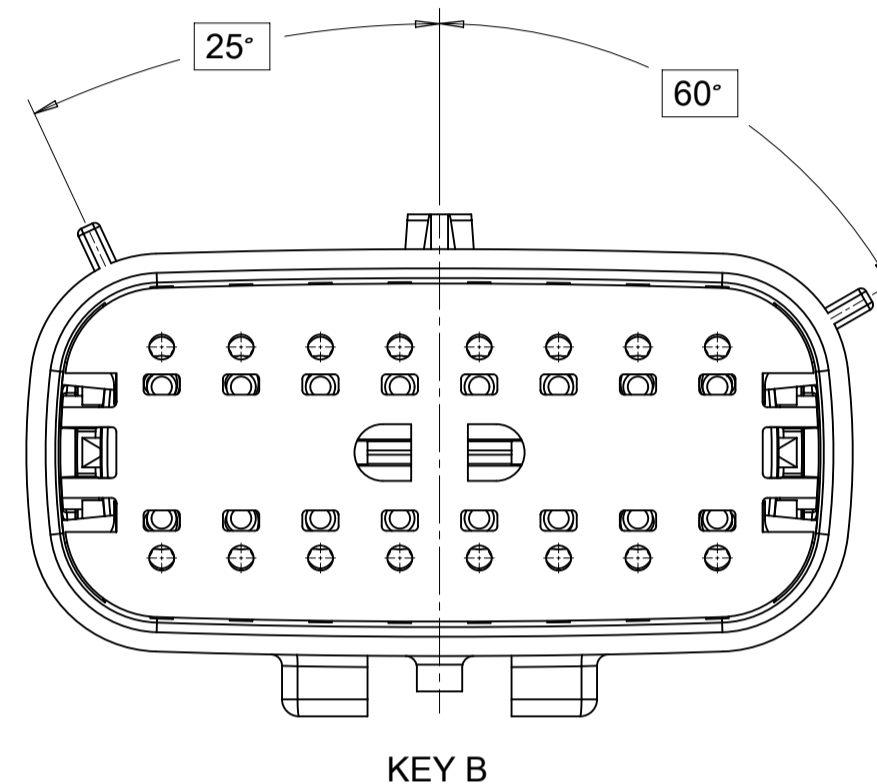


KEY D

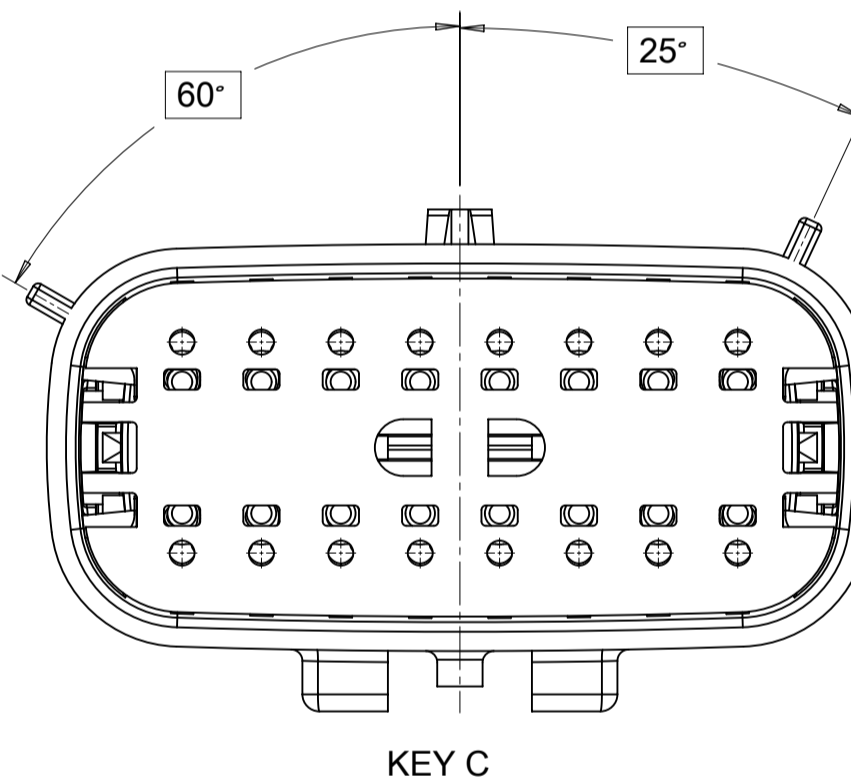
2X8



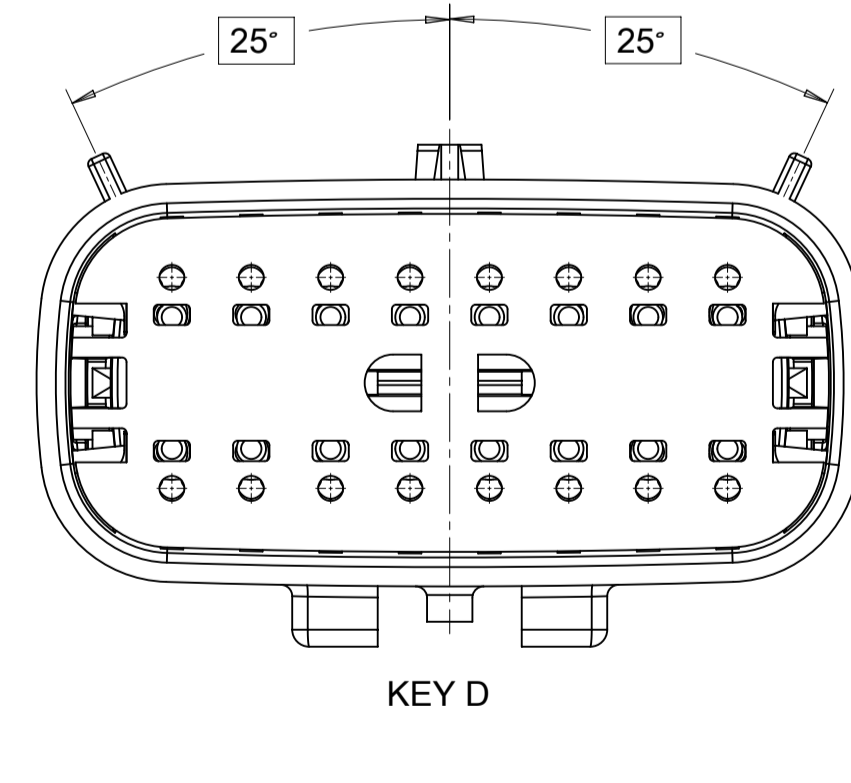
KEY A



KEY B

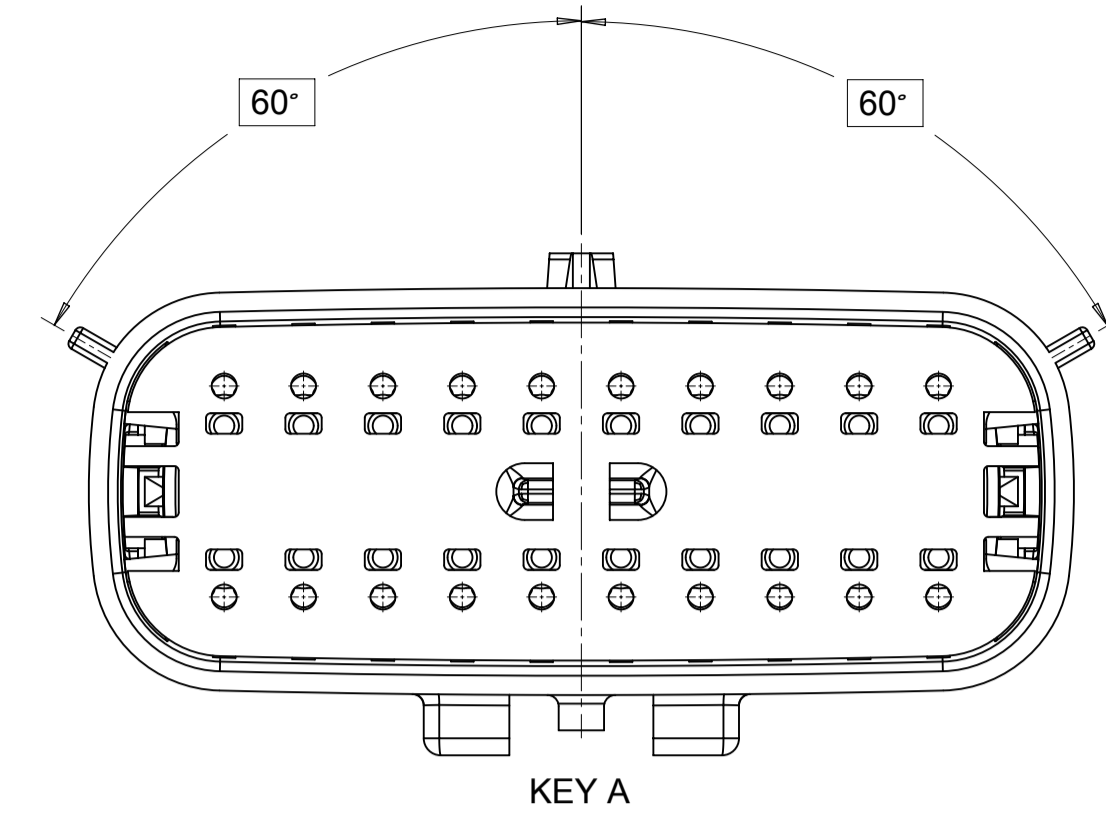


KEY C

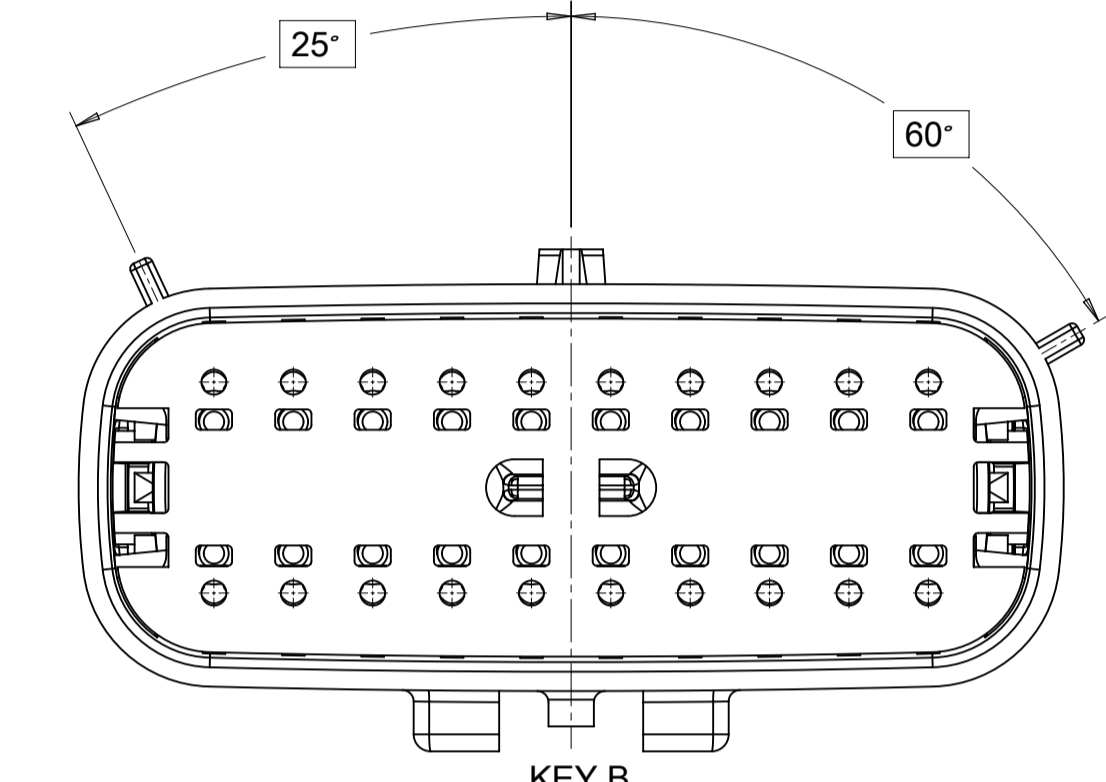


KEY D

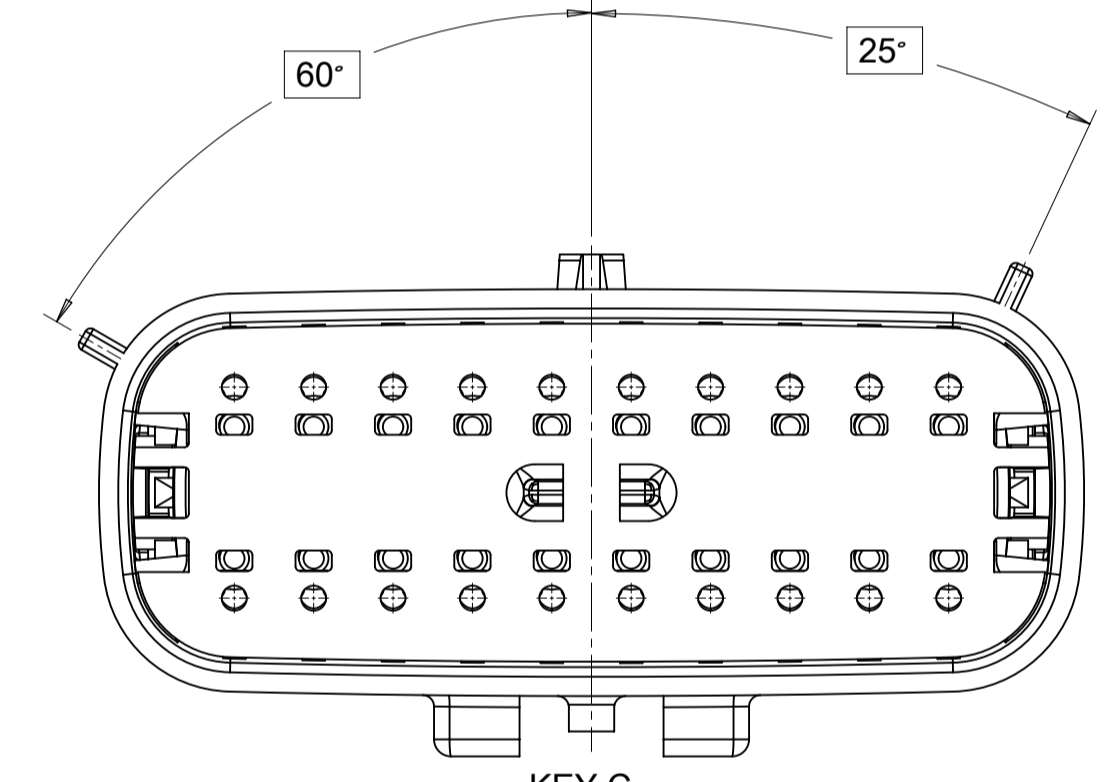
2X10



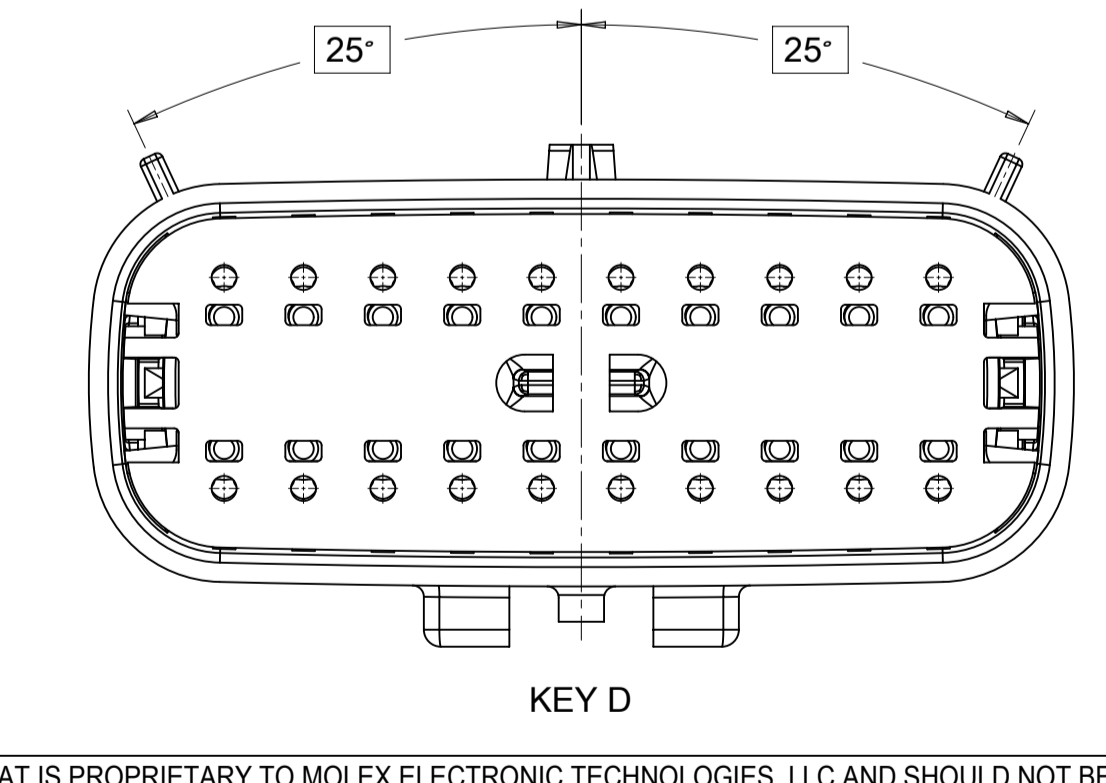
KEY A



KEY B



KEY C

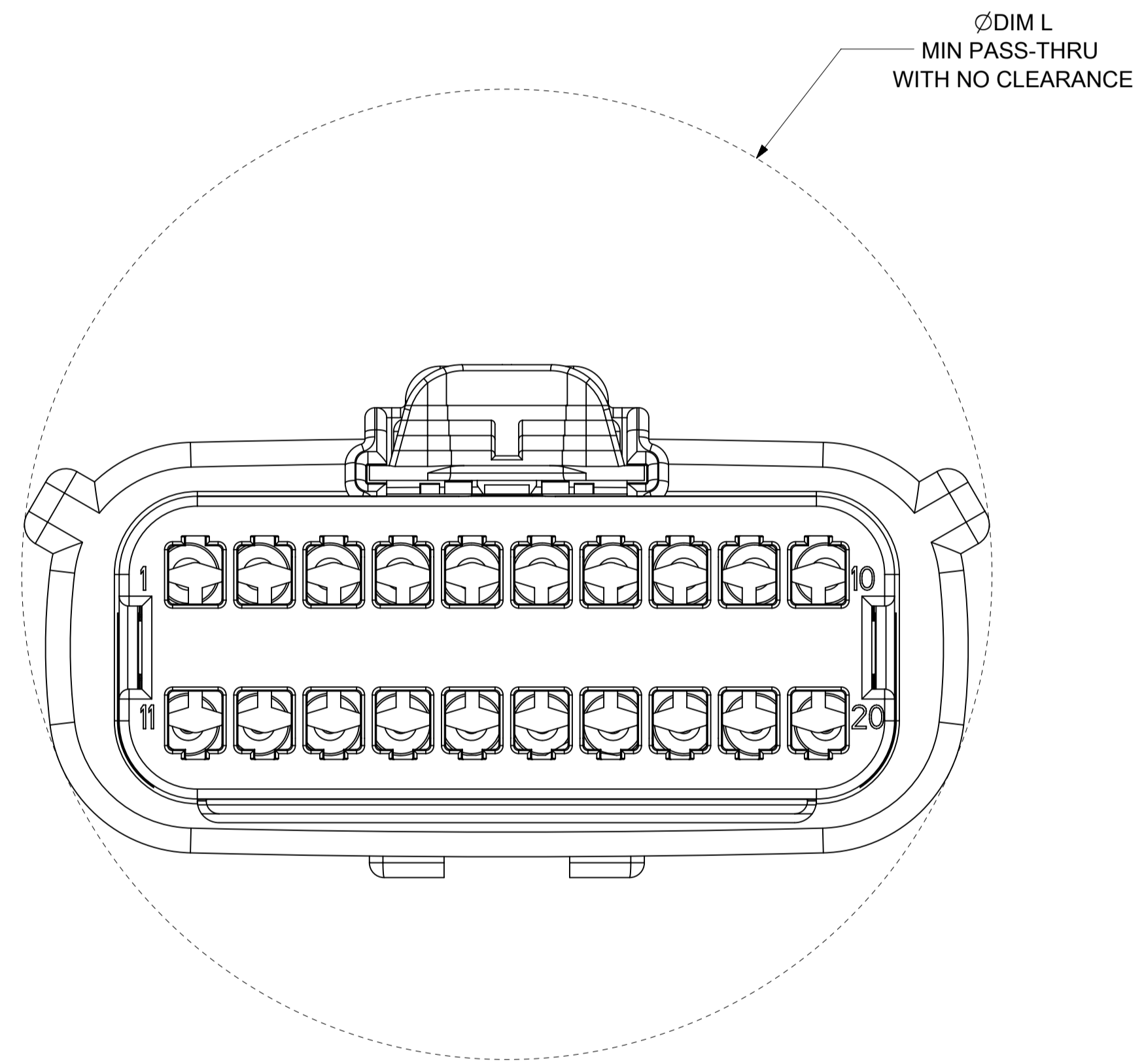
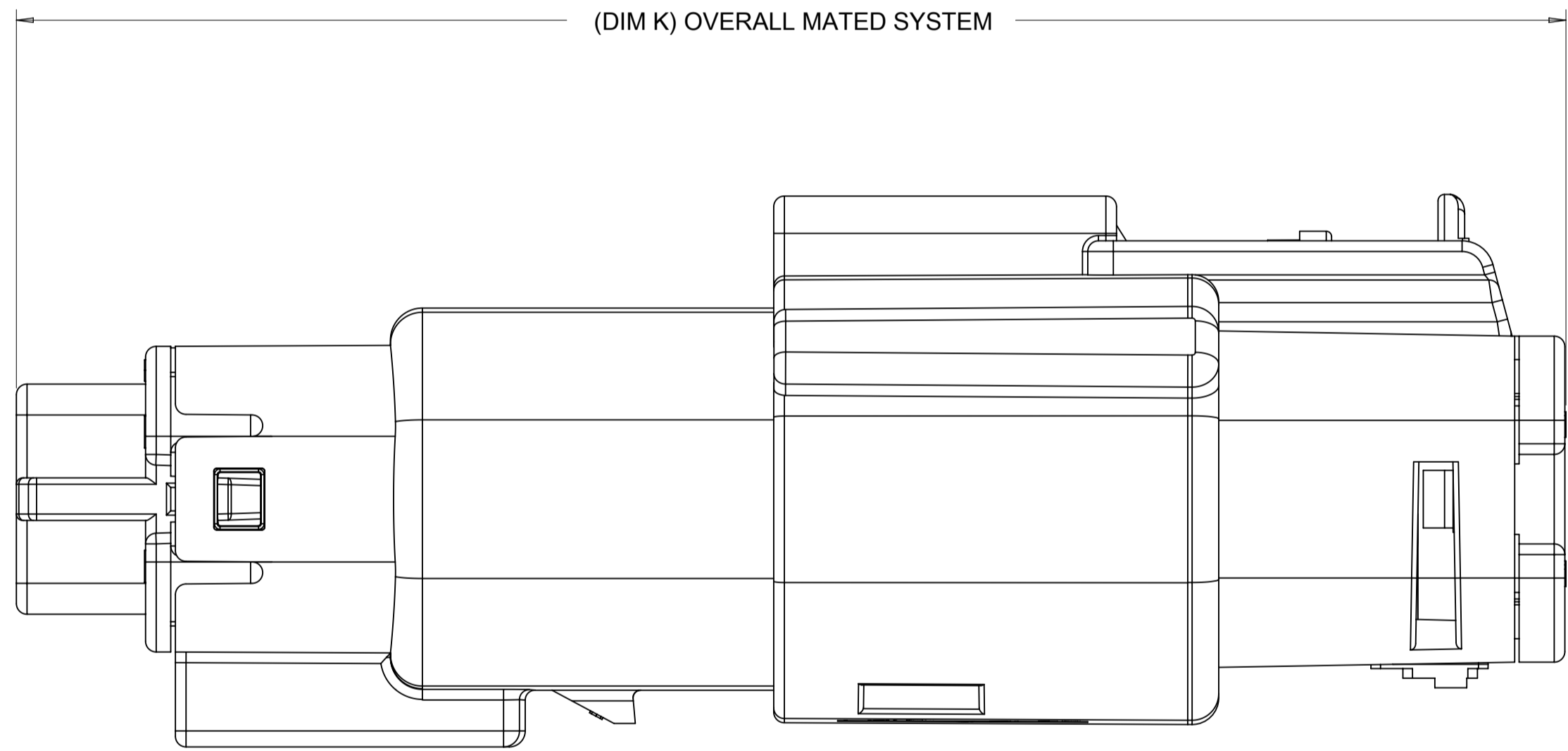


KEY D

SYMBOLS = 0 = 0 = 0 = 0 = 0 = 0 = 0 = 0 = 0 = 0	THIS DRAWING CONTAINS INFORMATION THAT IS PROPRIETARY TO MOLEX ELECTRONIC TECHNOLOGIES, LLC AND SHOULD NOT BE USED WITHOUT WRITTEN PERMISSION DIMENSION UNITS: mm SCALE: 3:1	CURRENT REV DESC: EC NO: 171650 DRWN: PMANJUNATHAC 2018/01/03 CHK'D: MVANSLAMBROU 2018/02/16 APPR: MVANSLAMBROU 2018/02/16	 MX150 BLADE DUAL ROW SEALED ASSEMBLY MAT SEAL		
	GENERAL TOLERANCES (UNLESS SPECIFIED) ANGULAR TOL ± 1.0° 4 PLACES ± 3 PLACES ± 2 PLACES ± 0.1 1 PLACE ± 0.2 0 PLACES ±	INITIAL REVISION: DRWN: APROFFITT 2014/04/28 APPR: VKOSHY 2014/05/14			
DRAFT WHERE APPLICABLE MUST REMAIN WITHIN DIMENSIONS	THIRD ANGLE PROJECTION 	DRAWING: A1-SIZE SERIES: 33482	MATERIAL NUMBER CUSTOMER: GENERAL MARKET	SHEET NUMBER 4 OF 11	

SHEET DESCRIPTION
SYSTEM PACKAGING

CKT	BLADE CONFIGURATION	RECEPTACLE CONFIGURATION	DIMENSIONS	
			K	L
			2X2	STANDARD
		W/ CLIPSLOT	72.78	28.50
		LENGTHENED	77.21	28.00
2X3	STANDARD	W/O CLIPSLOT	72.78	28.00
		W/ CLIPSLOT		30.50
	LENGTHENED	W/O CLIPSLOT	74.79	28.00
		W/ CLIPSLOT		30.50
2X4	STANDARD	W/O CLIPSLOT	72.78	29.50
		W/ CLIPSLOT		31.50
2X6	STANDARD	W/O CLIPSLOT	72.79	35.58
		W/ CLIPSLOT		
2X8	STANDARD	W/O CLIPSLOT	72.67	42.25
		W/ CLIPSLOT		
2X10	STANDARD	STANDARD	72.78	49.05

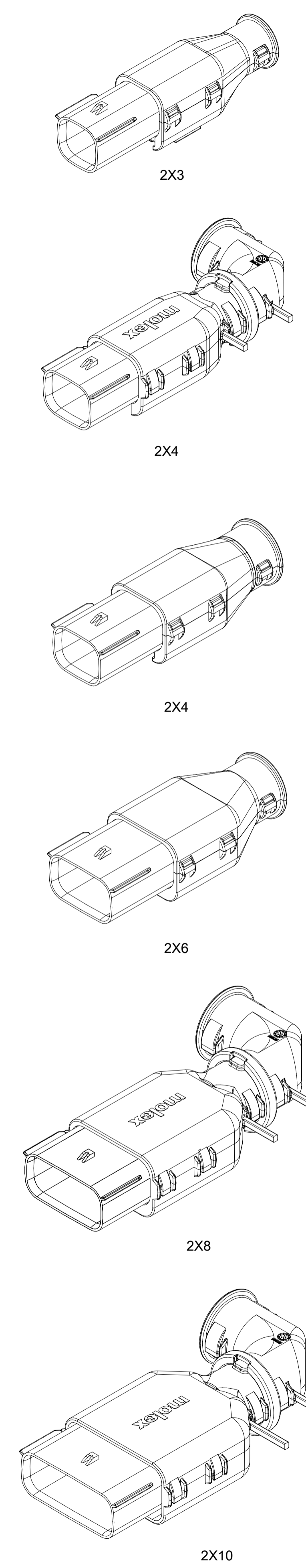


SYMBOLS ▽ = 0 ▽ = 0 ▽ = 0 ▽ = 0 ▽ = 0 ▽ = 0 ▽ = 0 ▽ = 0 ▽ = 0 ▽ = 0	THIS DRAWING CONTAINS INFORMATION THAT IS PROPRIETARY TO MOLEX ELECTRONIC TECHNOLOGIES, LLC AND SHOULD NOT BE USED WITHOUT WRITTEN PERMISSION	DIMENSION UNITS	SCALE	CURRENT REV DESC:						
	mm	4:1	EC NO: 171650 DRWN: PMANJUNATHAC 2018/01/03 CHK'D: MVANSLAMBROU 2018/02/16 APPR: MVANSLAMBROU 2018/02/16							
	GENERAL TOLERANCES (UNLESS SPECIFIED)				INITIAL REVISION: DRWN: APROFFITT 2014/04/28 APPR: VKOSHY 2014/05/14			PRODUCT CUSTOMER DRAWING		
	ANGULAR TOL ± 1.0°							DOCUMENT NUMBER: SD-33482-0001 DOC TYPE: PSD DOC PART: 001 REVISION: E2		
	4 PLACES ±				MATERIAL NUMBER: 33482 CUSTOMER: GENERAL MARKET SHEET NUMBER: 6 OF 11					
	3 PLACES ±									
	2 PLACES ± 0.1				THIRD ANGLE PROJECTION DRAWING: A1-SIZE SERIES: 33482					
	1 PLACE ± 0.2									
	0 PLACES ±				DRAFT WHERE APPLICABLE MUST REMAIN WITHIN DIMENSIONS					
	DRAFT WHERE APPLICABLE MUST REMAIN WITHIN DIMENSIONS									

SHEET DESCRIPTION
BACKSHELL NOTES

BACKSHELL NOTES: VALID UNLESS OTHERWISE SPECIFIED

1. GENERAL:
a. APPLICATION SPECIFICATION SEE: AS-34951-001
-DESIGNED TO MATE WITH BLADE SEALED ASSEMBLY SPECIFIED IN MOLEX DRAWING SD-33482-0001.
-SYSTEM TO BE USED WITH WIRE WITHIN DIAMETER RANGE OF 1.2mm TO 2.69mm.
-COMPONENTS ARE OPTIONAL AND MUST BE PURCHASED SEPERATELY.
-DESIGN IS OWNED BY SCHLEMMER FOR SCHLEMMER BACKSHELL.
-DESIGN IS OWNED BY MOLEX FOR MOLEX BACKSHELL.
-90° ADAPTOR DESIGN IS OWNED BY MOLEX.
-FOR ADDITIONAL INFORMATION SEE THE BACKSHELL COMPONENT DRAWING SD-34950-0001.



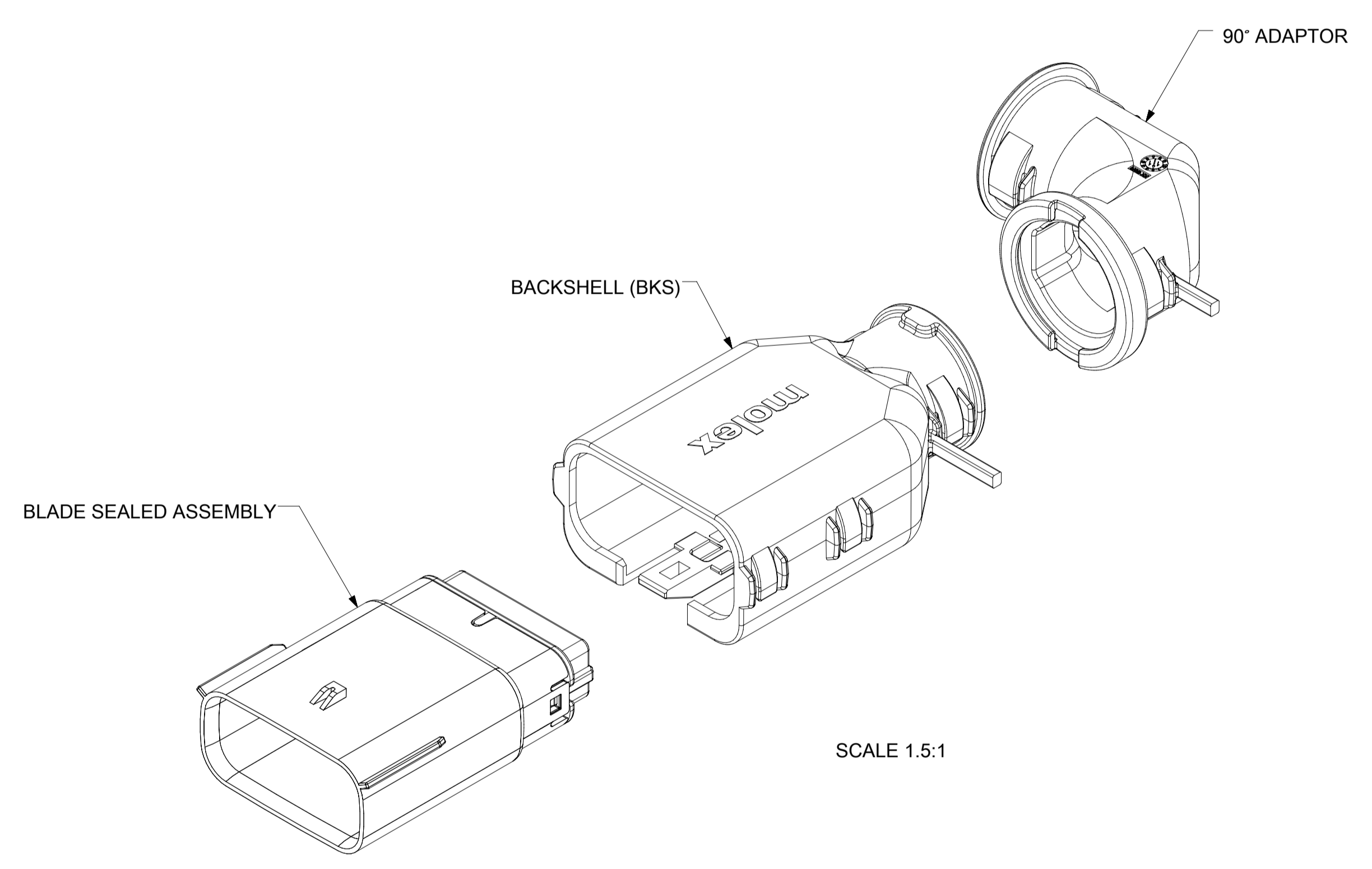
BACKSHELL CUSTOMER MODEL NUMBER LEGEND

34950-XXXX

CUSTOMER MODEL COMPONENTS
0 - SCHLEMMER BACKSHELL ONLY
1 - SCHLEMMER BACKSHELL & MX150 HOUSING KEY A ASSEMBLY
2 - SCHLEMMER BACKSHELL & MX150 HOUSING KEY B ASSEMBLY
3 - SCHLEMMER BACKSHELL & MX150 HOUSING KEY C ASSEMBLY
4 - SCHLEMMER BACKSHELL & MX150 HOUSING KEY D ASSEMBLY
5 - MOLEX BACKSHELL ONLY
6 - MOLEX BACKSHELL & MX150 HOUSING KEY A ASSEMBLY
7 - MOLEX BACKSHELL & MX150 HOUSING KEY B ASSEMBLY
8 - MOLEX BACKSHELL & MX150 HOUSING KEY C ASSEMBLY
9 - MOLEX BACKSHELL & MX150 HOUSING KEY D ASSEMBLY

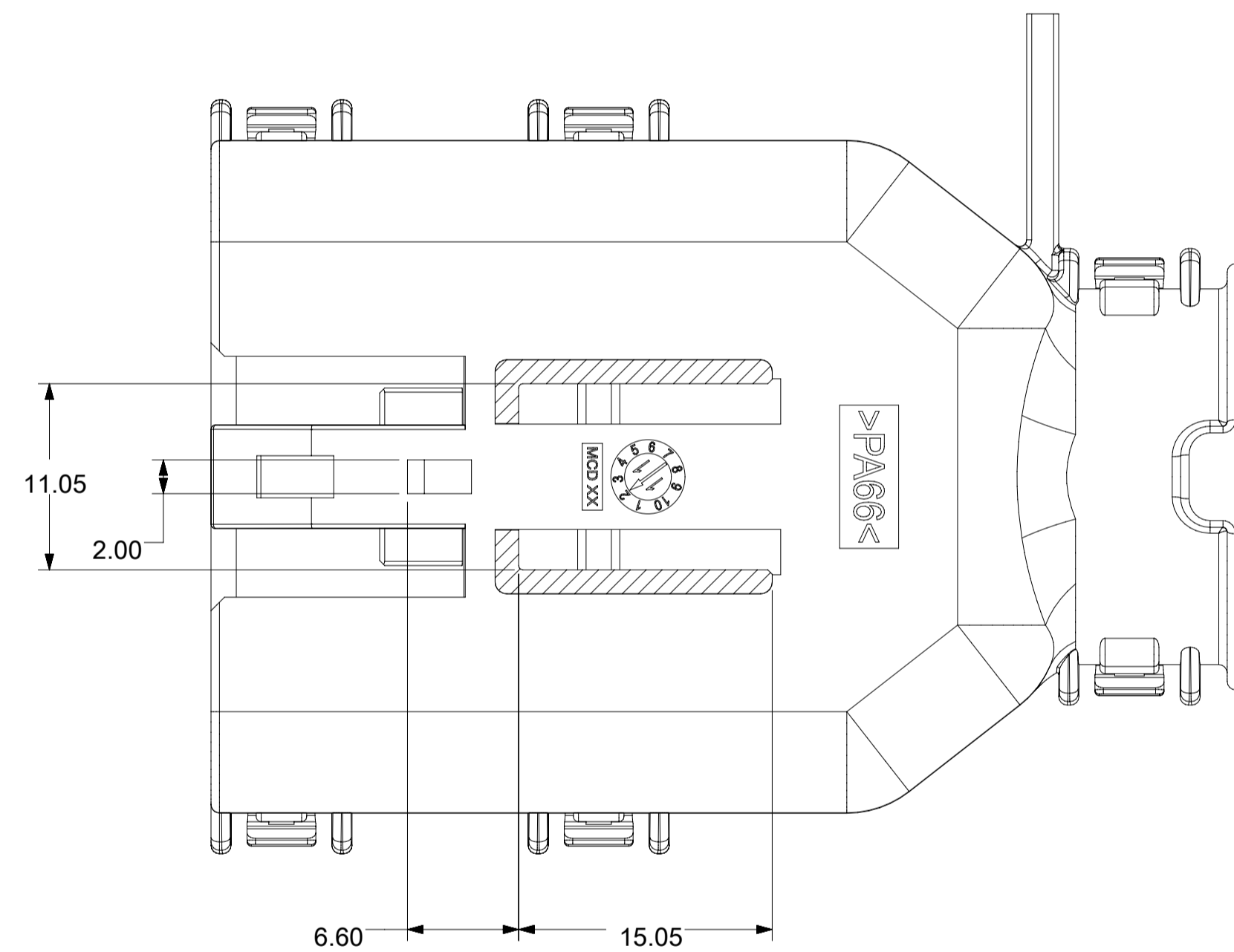
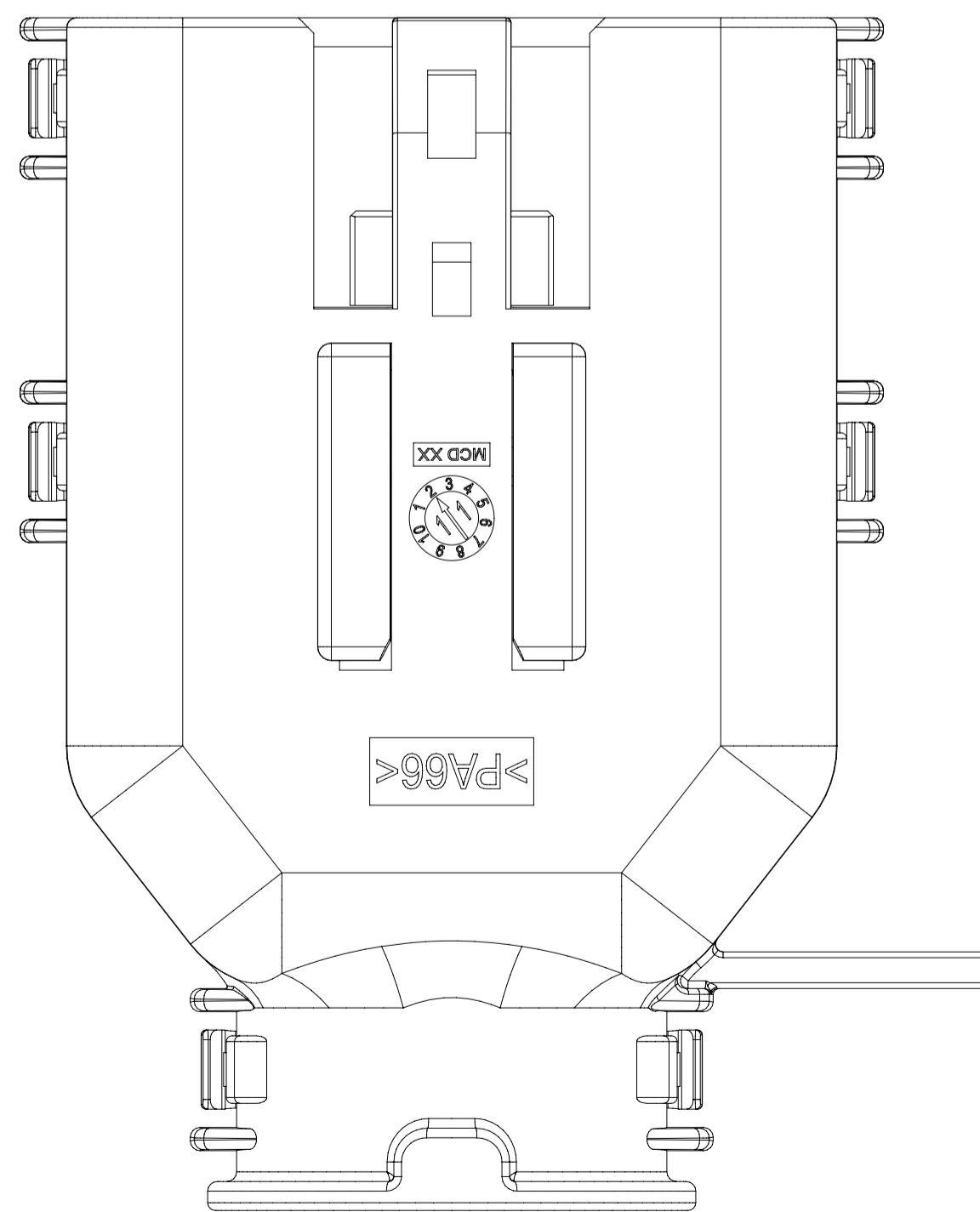
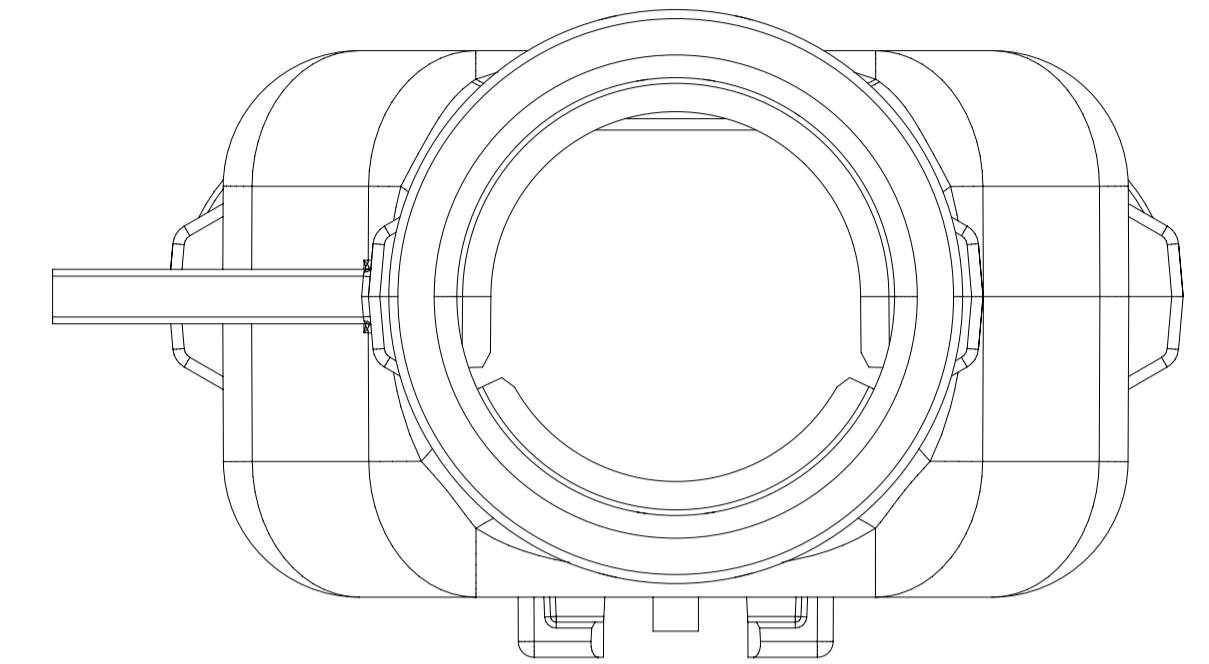
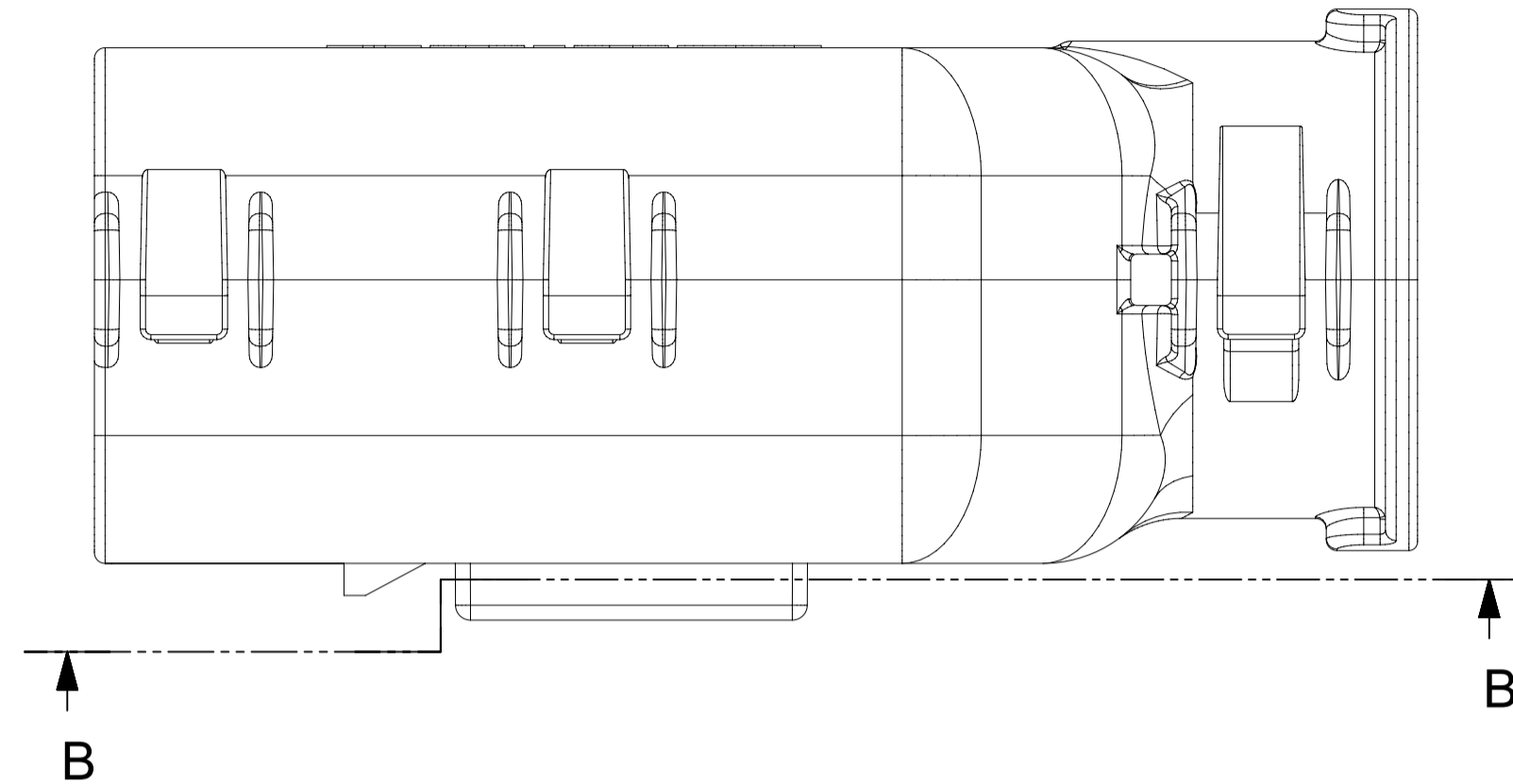
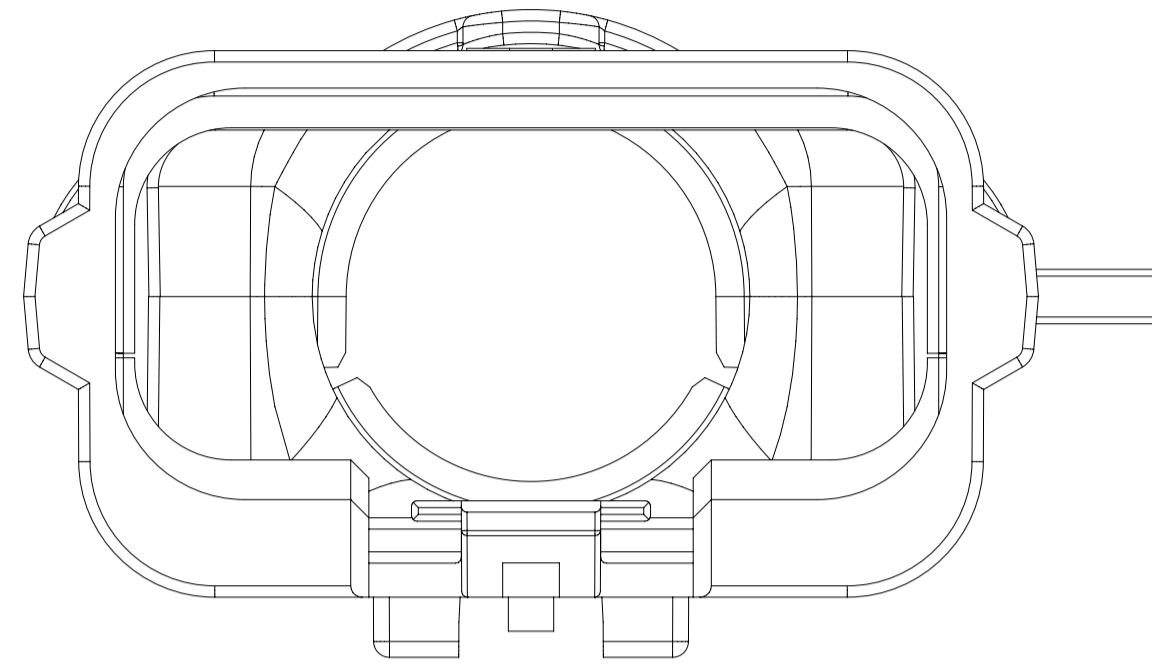
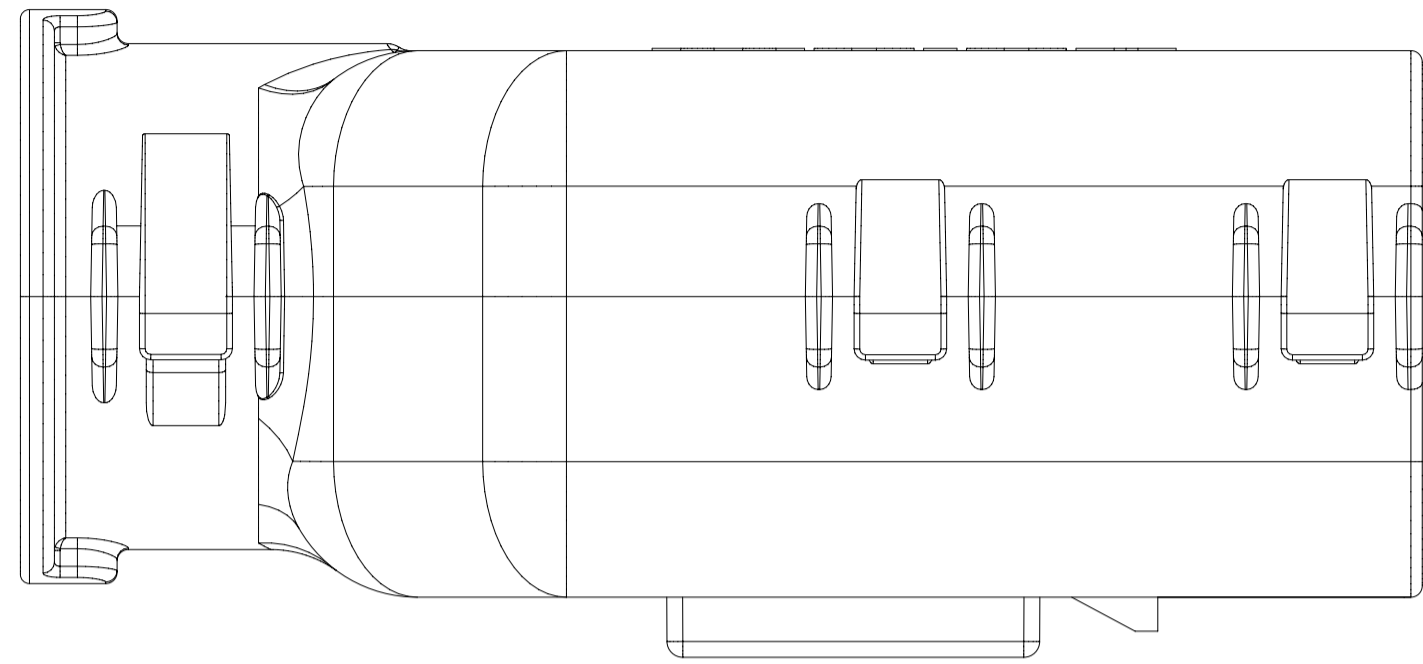
BACKSHELL FEATURES
1 - WITH RIBS
2 - WITHOUT RIBS
3 - 90° ADAPTOR

MX150 CIRCUIT SIZE 04, 06, 08, 12, 16, 20



SYMBOLS	THIS DRAWING CONTAINS INFORMATION THAT IS PROPRIETARY TO MOLEX ELECTRONIC TECHNOLOGIES, LLC AND SHOULD NOT BE USED WITHOUT WRITTEN PERMISSION		CURRENT REV DESC:					
	DIMENSION UNITS	SCALE						EC NO: 171650
▽ = 0	mm	1.5:1	DRWN: APROFFITT 2014/04/28	SD-33482-0001				
▽ = 0	GENERAL TOLERANCES (UNLESS SPECIFIED)		CHK'D: MVANSLAMBROU 2018/02/16					
▽ = 0	ANGULAR TOL ± 1.0°		APPR: MVANSLAMBROU 2018/02/16	PRODUCT CUSTOMER DRAWING				
▽ = 0	4 PLACES	±	INITIAL REVISION:	DOCUMENT NUMBER				
▽ = 0	3 PLACES	±	DRWN: APROFFITT 2014/04/28	SD-33482-0001		PSD	001	E2
▽ = 0	2 PLACES	± 0.1	APPR: VKOSHY 2014/05/14	MATERIAL NUMBER		CUSTOMER		SHEET NUMBER
▽ = 0	1 PLACE	± 0.2	THIRD ANGLE PROJECTION	GENERAL MARKET		7 OF 11		
▽ = 0	0 PLACES	±	DRAFT WHERE APPLICABLE MUST REMAIN WITHIN DIMENSIONS	A1-SIZE		33482		

SHEET DESCRIPTION
MOLEX BACKSHELL

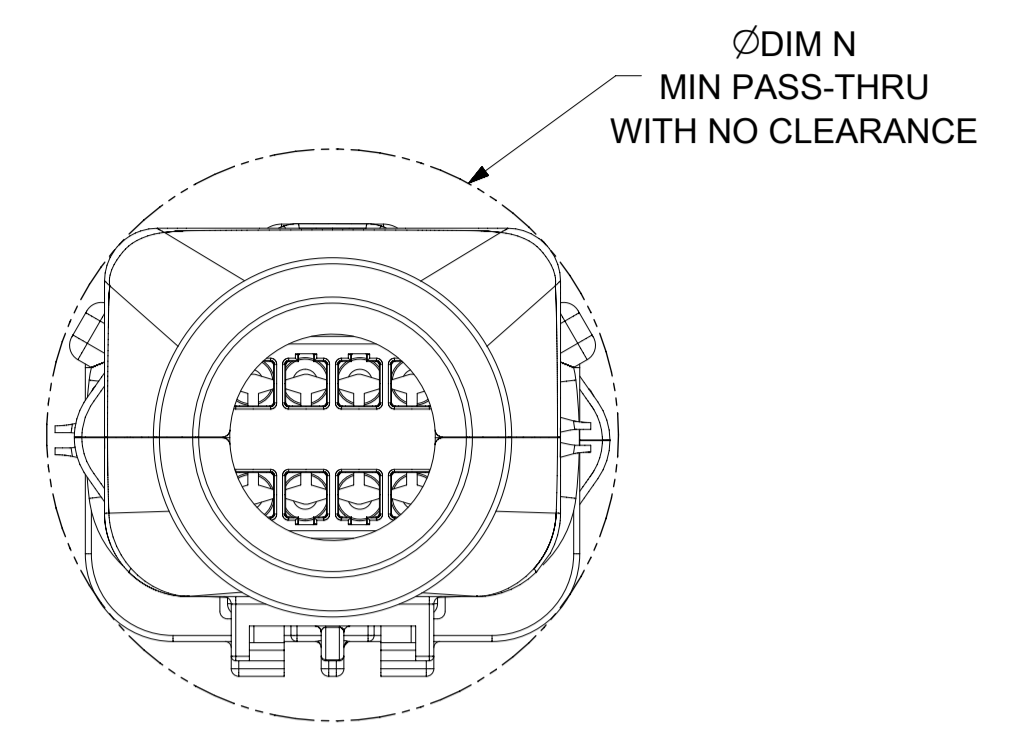
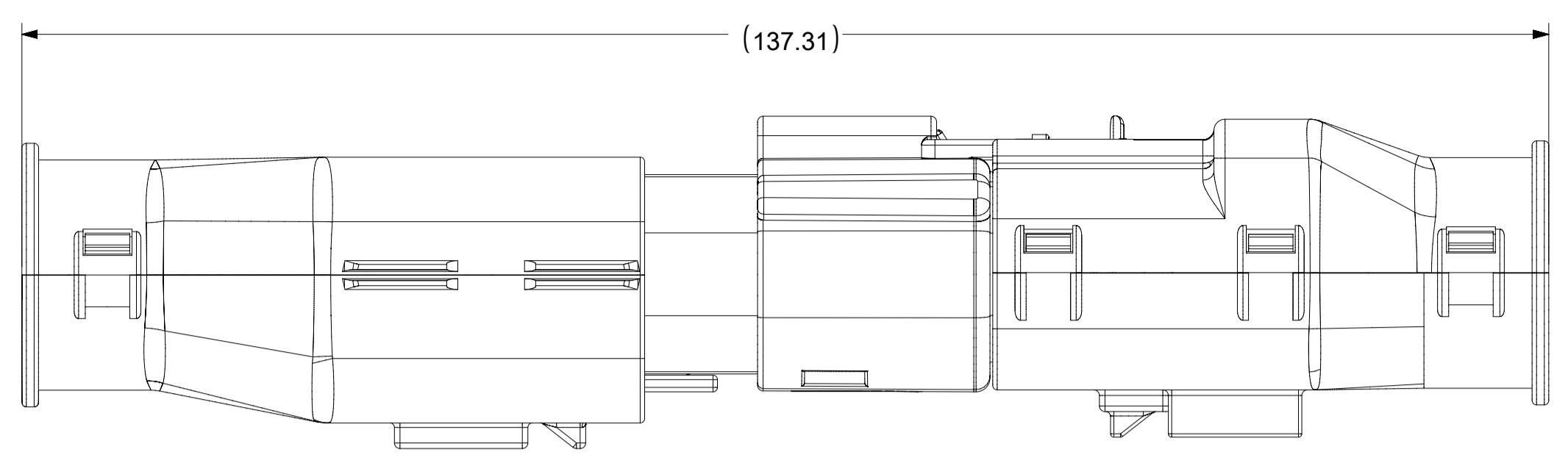


SECTION B-B

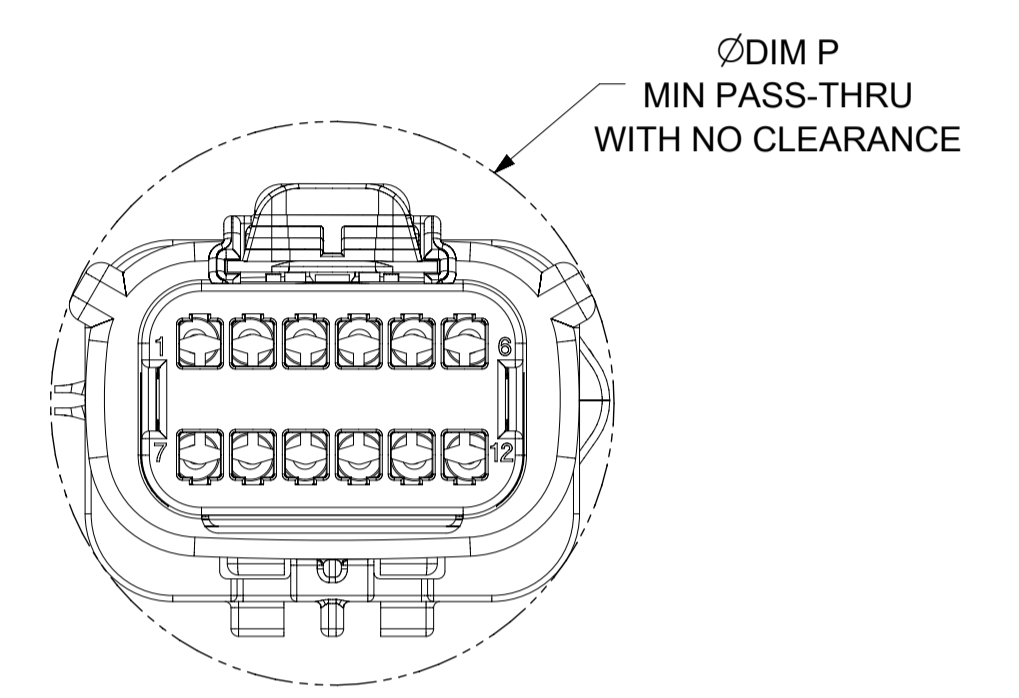
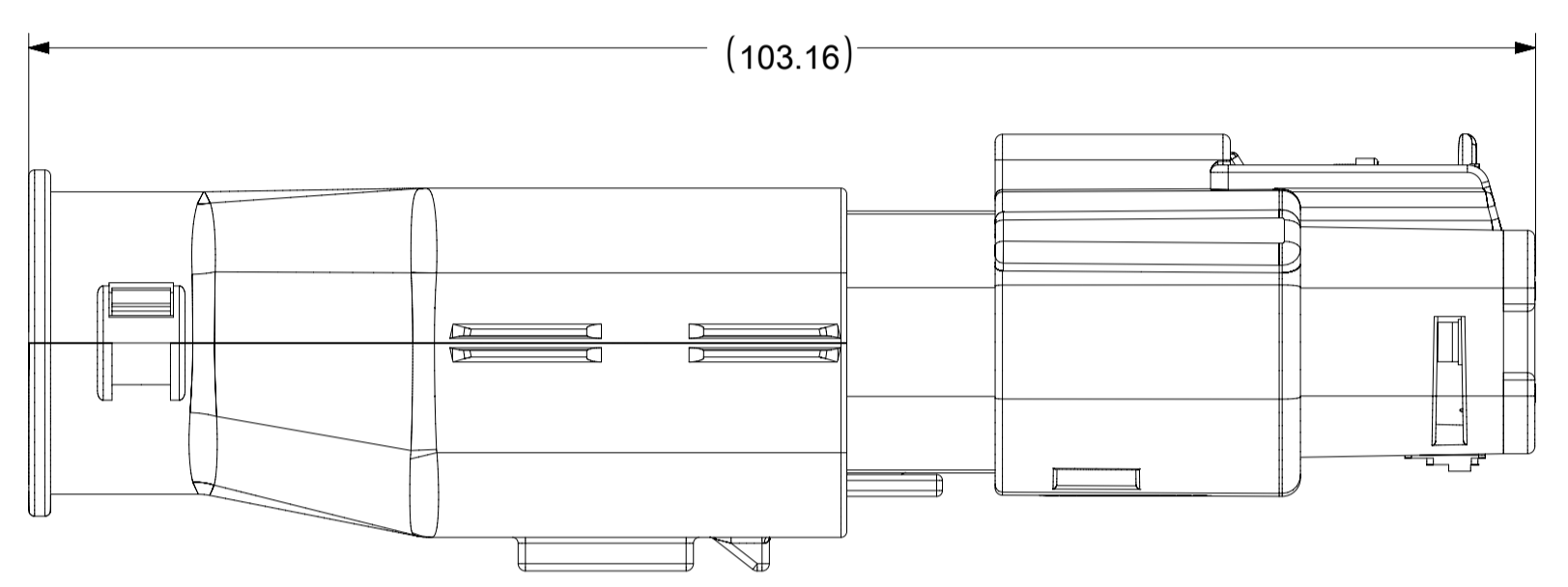
SYMBOLS = 0 = 0 = 0 = 0 = 0 = 0 = 0 = 0 = 0	THIS DRAWING CONTAINS INFORMATION THAT IS PROPRIETARY TO MOLEX ELECTRONIC TECHNOLOGIES, LLC AND SHOULD NOT BE USED WITHOUT WRITTEN PERMISSION	DIMENSION UNITS: mm SCALE: 3:1	CURRENT REV DESC: EC NO: 171650 DRWN: PMANJUNATHAC 2018/01/03 CHK'D: MVANSLAMBROU 2018/02/16 APPR: MVANSLAMBROU 2018/02/16								
	GENERAL TOLERANCES (UNLESS SPECIFIED) ANGULAR TOL ± 1.0°	INITIAL REVISION: DRWN: APROFFITT 2014/04/28 APPR: VKOSHY 2014/05/14			PRODUCT CUSTOMER DRAWING						
	4 PLACES ± 3 PLACES ± 2 PLACES ± 0.1 1 PLACE ± 0.2	DRAFT WHERE APPLICABLE MUST REMAIN WITHIN DIMENSIONS			THIRD ANGLE PROJECTION	DRAWING: A1-SIZE	SERIES: 33482	DOCUMENT NUMBER: SD-33482-0001	DOC TYPE: PSD	DOC PART: 001	REVISION: E2
				MATERIAL NUMBER	CUSTOMER: GENERAL MARKET	SHEET NUMBER: 9 OF 11					
	DOCUMENT STATUS: P1			RELEASE DATE: 2018/02/16 22:02:26							

SHEET DESCRIPTION
SCHLEMMER BACKSHELL CONFIGURATIONS

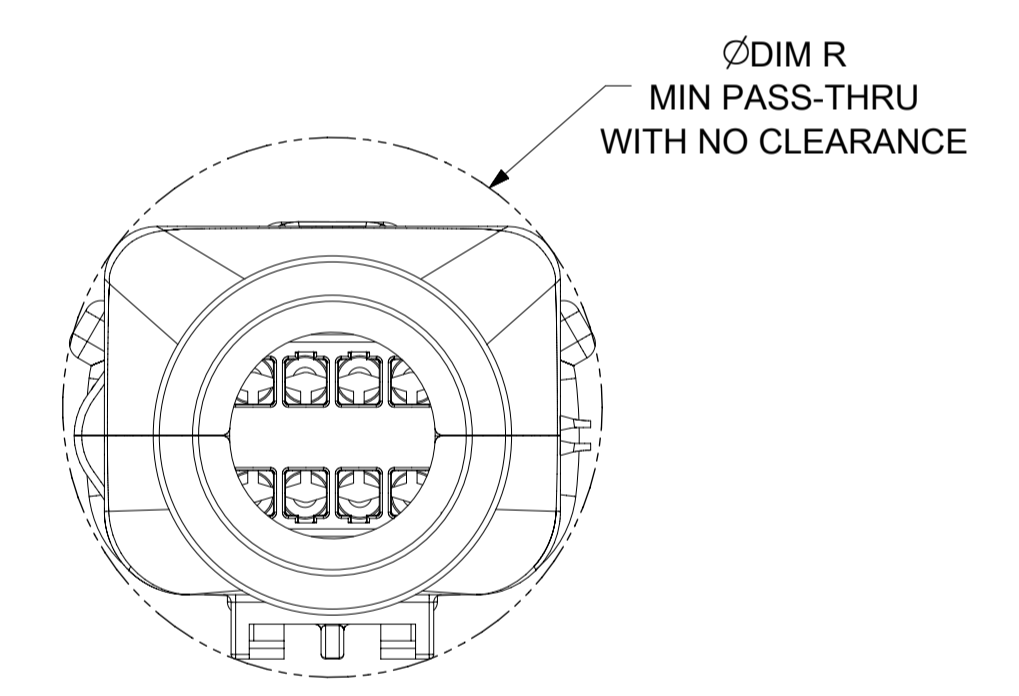
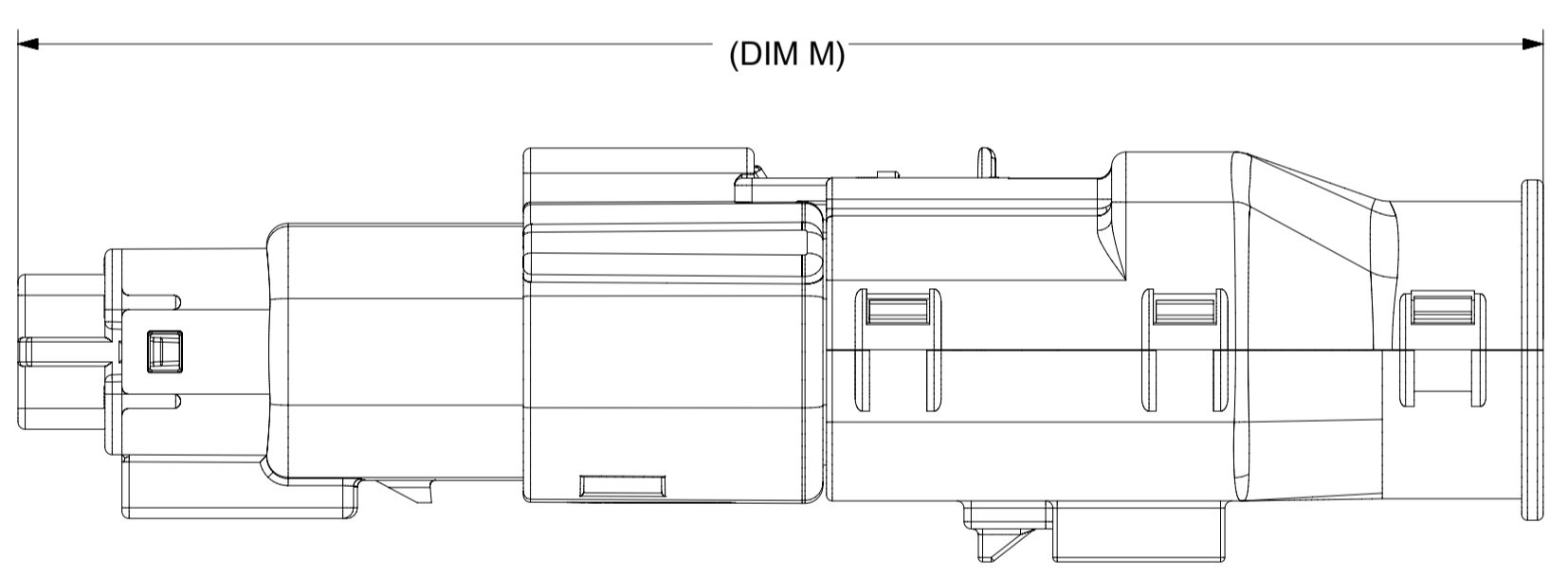
CKT	BLADE CONFIGURATION	RECEPTACLE CONFIGURATION	DIMENSIONS				
			M	N	P	R	T
2X3	STANDARD	STANDARD	106.83	32.75	31.75	29.00	29.50
	LENGTHENED		108.71				
2X4	STANDARD	STANDARD	106.83	33.50	31.90	30.70	30.70
2X6	STANDARD	STANDARD	106.83	37.84	37.27	35.83	36.83



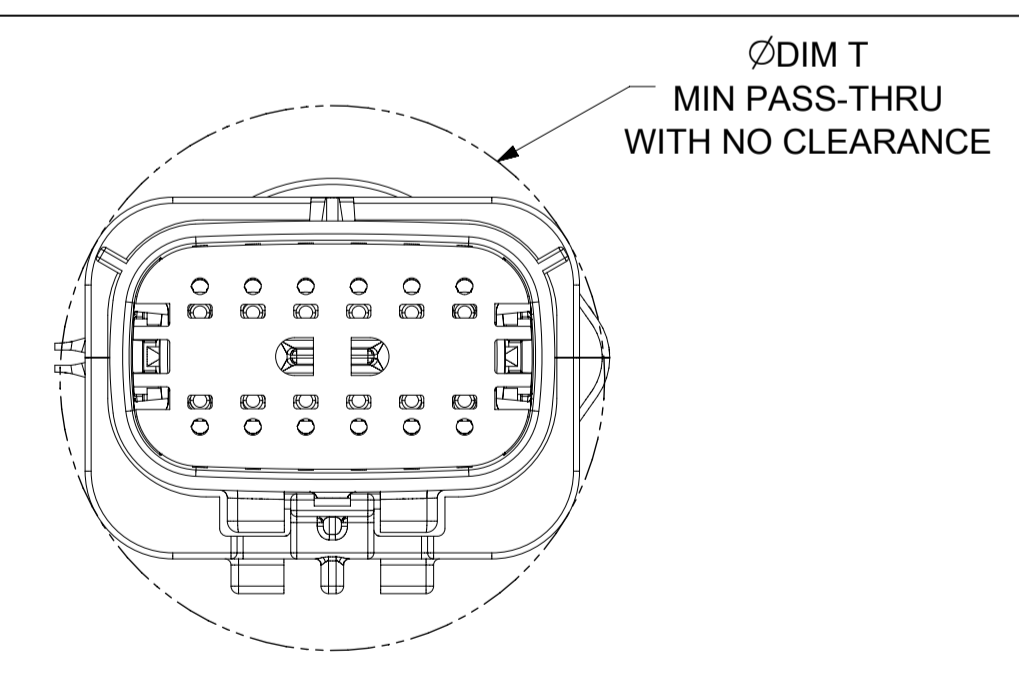
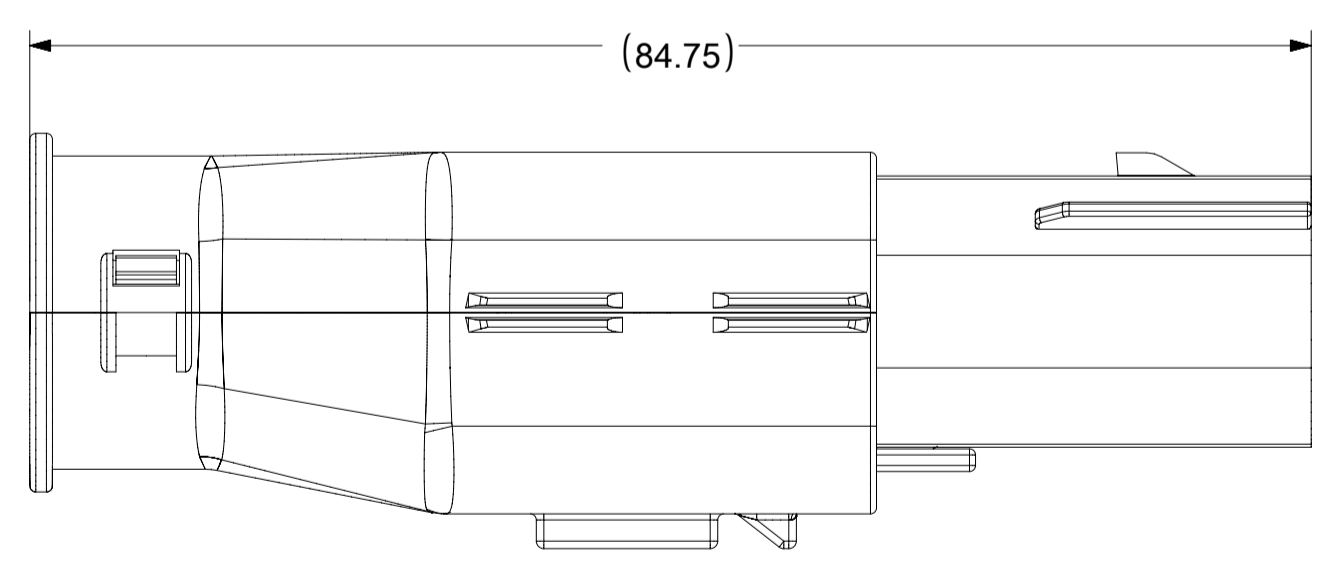
OVERALL MATED SYSTEM WITH BLADE AND RECEPTACLE BACKSHELL



OVERALL MATED SYSTEM WITH BLADE BACKSHELL



OVERALL MATED SYSTEM WITH RECEPTACLE BACKSHELL



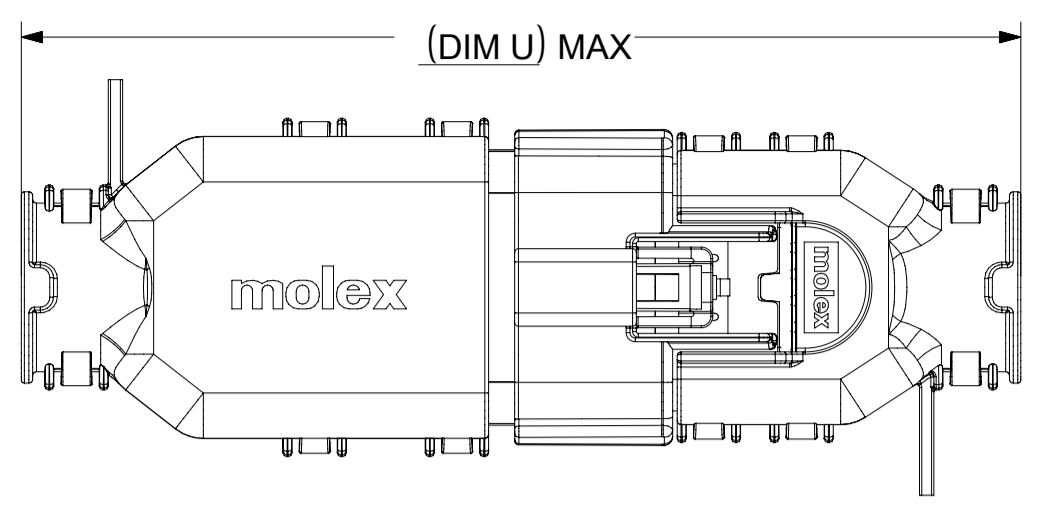
BLADE SEALED ASSEMBLY WITH BLADE BACKSHELL

SYMBOLS THIS DRAWING CONTAINS INFORMATION THAT IS PROPRIETARY TO MOLEX ELECTRONIC TECHNOLOGIES, LLC AND SHOULD NOT BE USED WITHOUT WRITTEN PERMISSION DIMENSION UNITS: mm SCALE: 2:1 GENERAL TOLERANCES (UNLESS SPECIFIED): ANGULAR TOL: ± 1.0° 4 PLACES: ± 3 PLACES: ± 2 PLACES: ± 0.1 1 PLACE: ± 0.2 0 PLACES: ± DRAFT WHERE APPLICABLE MUST REMAIN WITHIN DIMENSIONS	CURRENT REV DESC:		 MX150 BLADE DUAL ROW SEALED ASSEMBLY MAT SEAL PRODUCT CUSTOMER DRAWING	
	EC NO: 171650 DRWN: PMANJUNATHAC 2018/01/03 CHK'D: MVANSLAMBROU 2018/02/16 APPR: MVANSLAMBROU 2018/02/16			DOCUMENT NUMBER: SD-33482-0001 DOC TYPE: PSD DOC PART: 001 REVISION: E2
	INITIAL REVISION: DRWN: APROFFITT 2014/04/28 APPR: VKOSHY 2014/05/14			MATERIAL NUMBER: 33482 CUSTOMER: GENERAL MARKET SHEET NUMBER: 10 OF 11
	THIRD ANGLE PROJECTION	DRAWING: A1-SIZE		SERIES: 33482

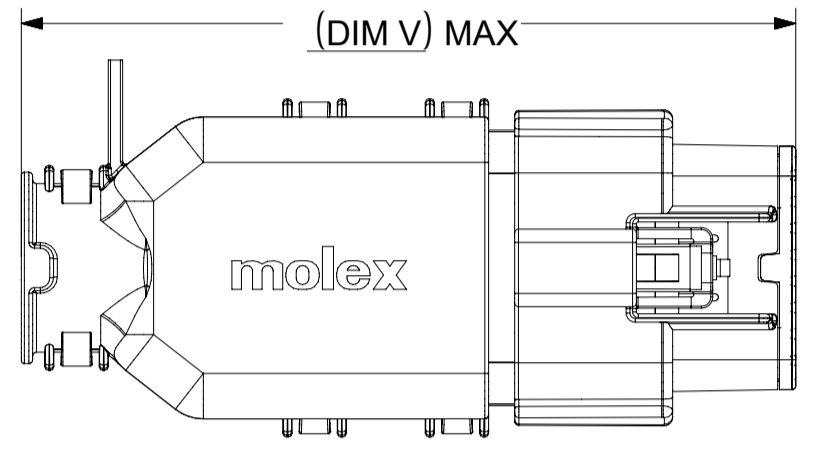
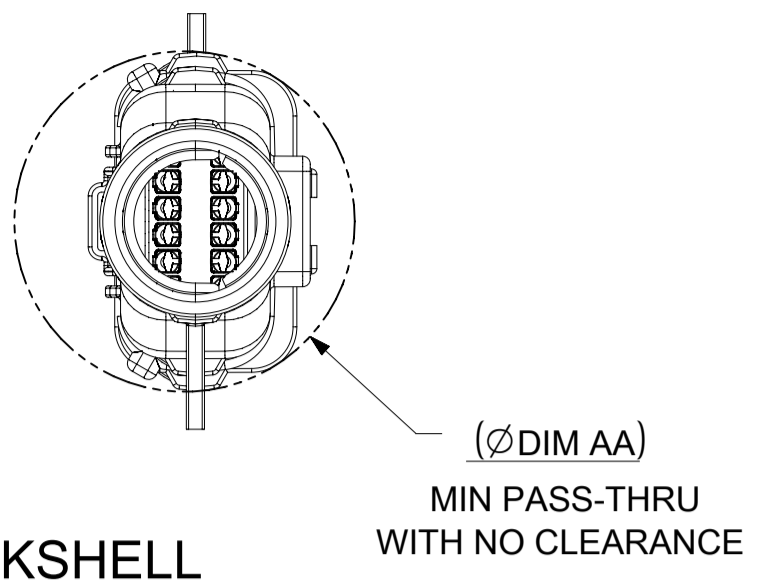
SHEET DESCRIPTION
MOLEX BACKSHELL CONFIGURATIONS

CHARTED DIMENSIONS

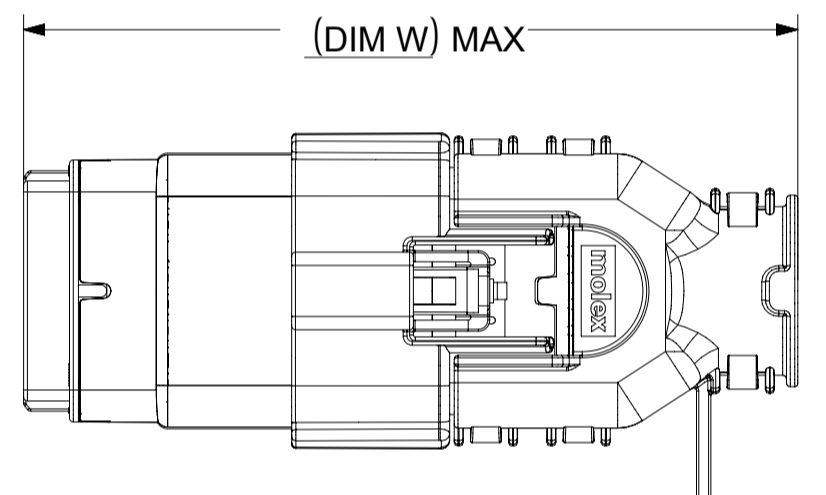
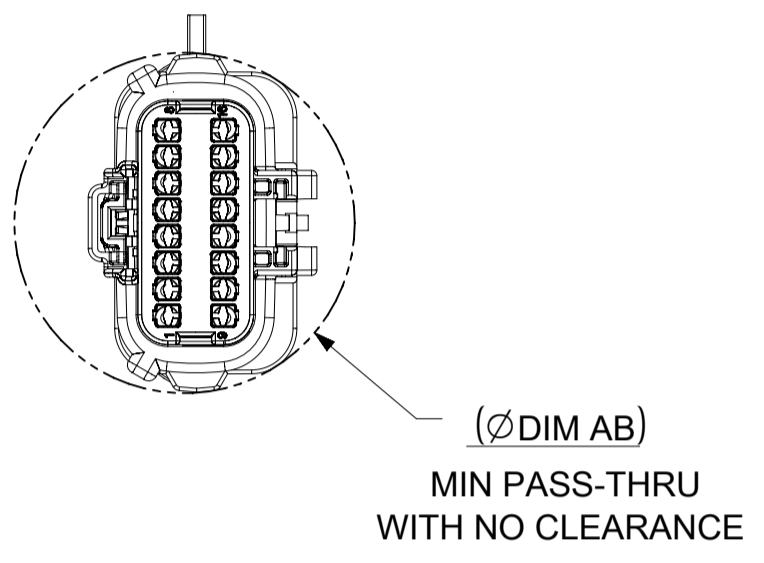
CKT	BLADE CONFIGURATION	RECEPTACLE CONFIGURATION	DIMENSIONS									
			U	V	W	X	Y	AA	AB	AC	AD	AE
2X4	STANDARD	STANDARD	115.24	94.36	93.93	75.62	32.10	32.93	32.54	32.85	31.76	56.81
2X8	STANDARD	STANDARD	132.49	102.81	102.73	84.07	36.10	45.44	45.44	42.65	45.44	68.18
2X10	STANDARD	STANDARD	132.49	102.81	102.73	84.07	36.10	45.44	45.44	42.65	45.44	68.18



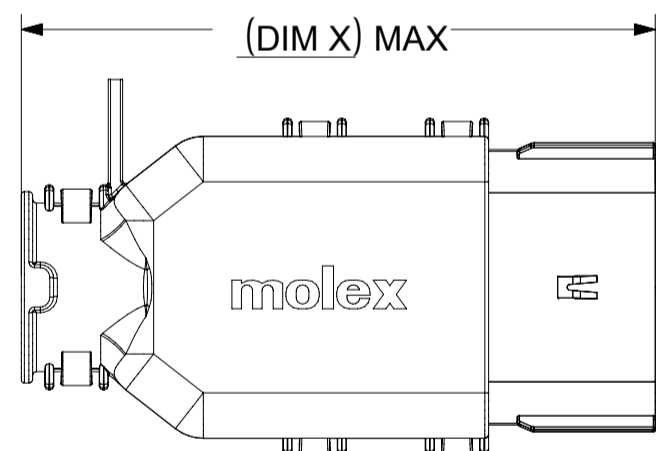
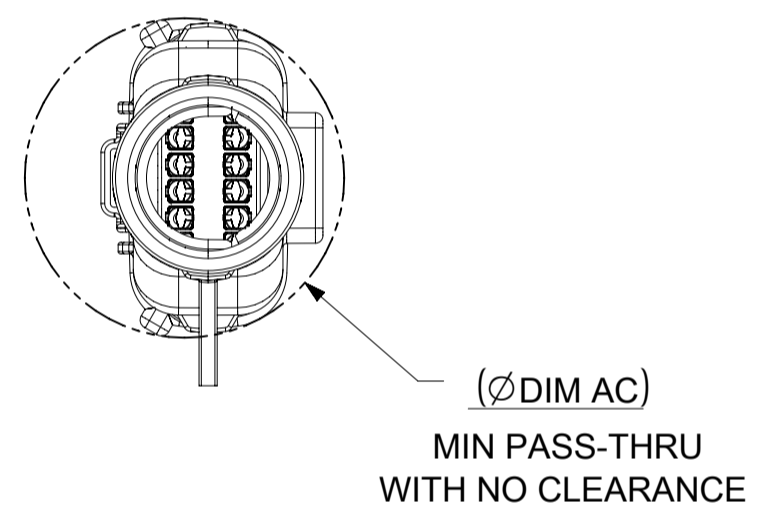
OVERALL MATED SYSTEM WITH BLADE AND RECEPTACLE BACKSHELL



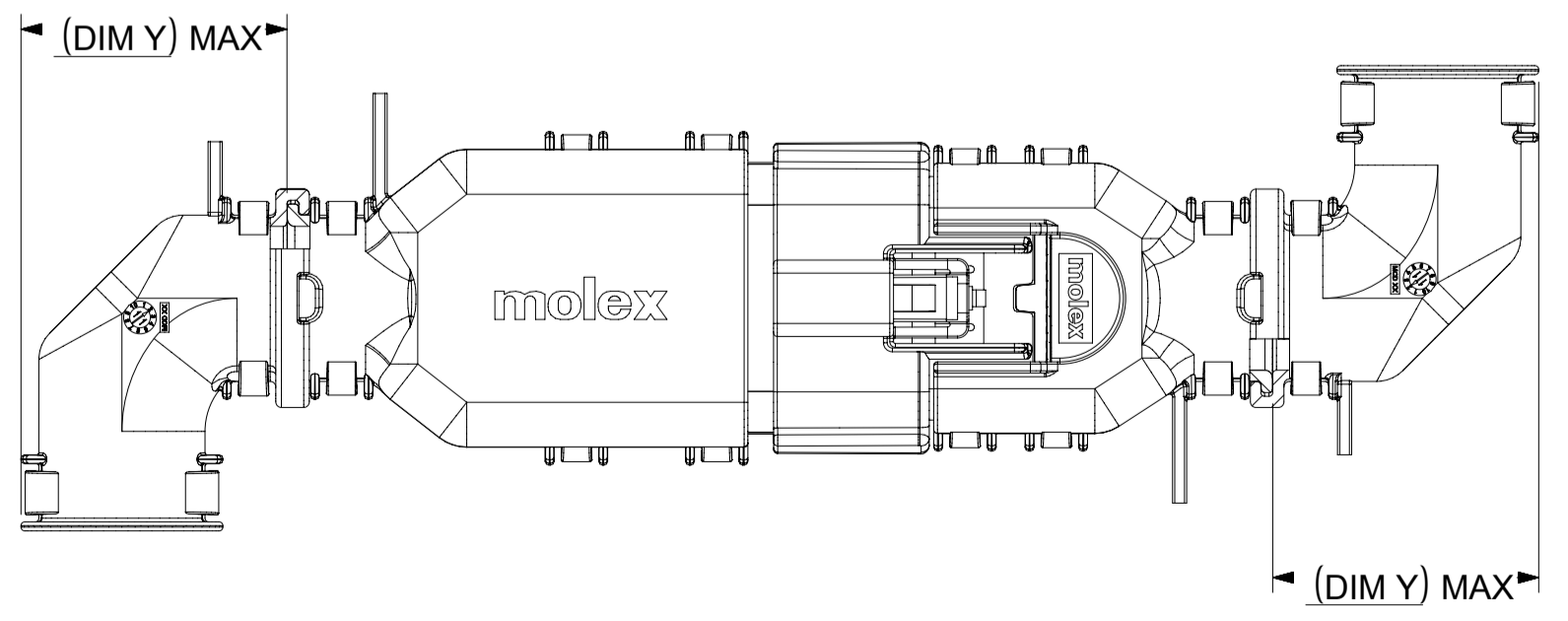
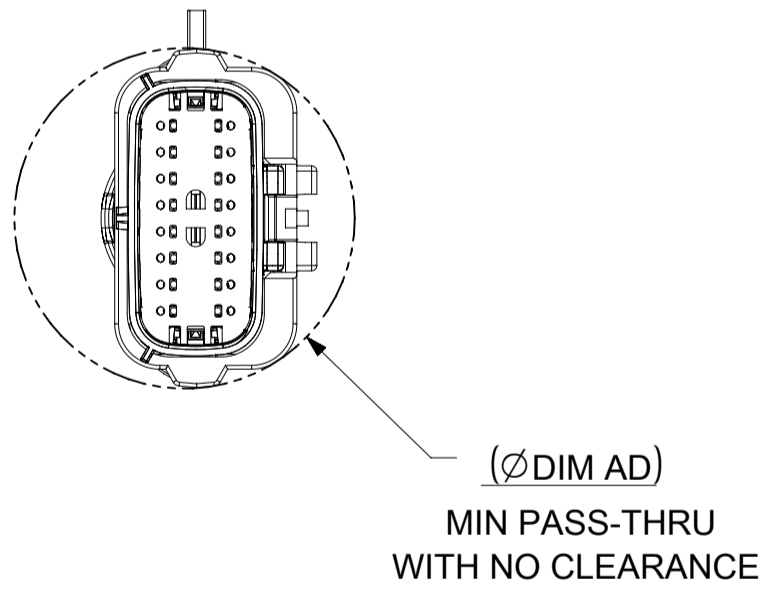
OVERALL MATED SYSTEM WITH BLADE BACKSHELL



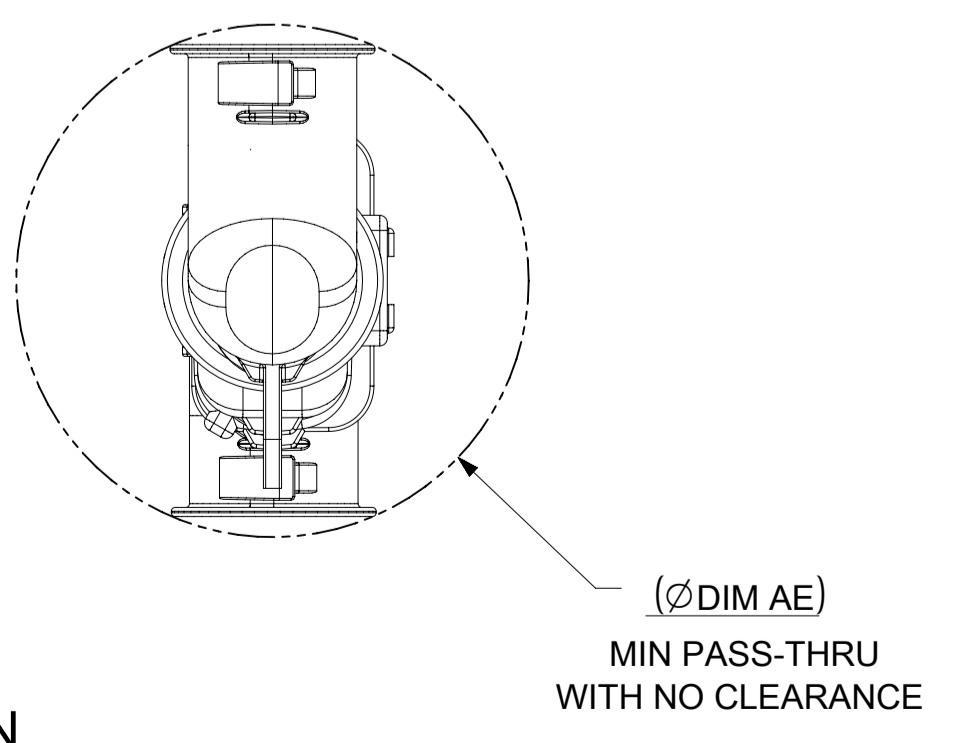
OVERALL MATED SYSTEM WITH RECEPTACLE BACKSHELL



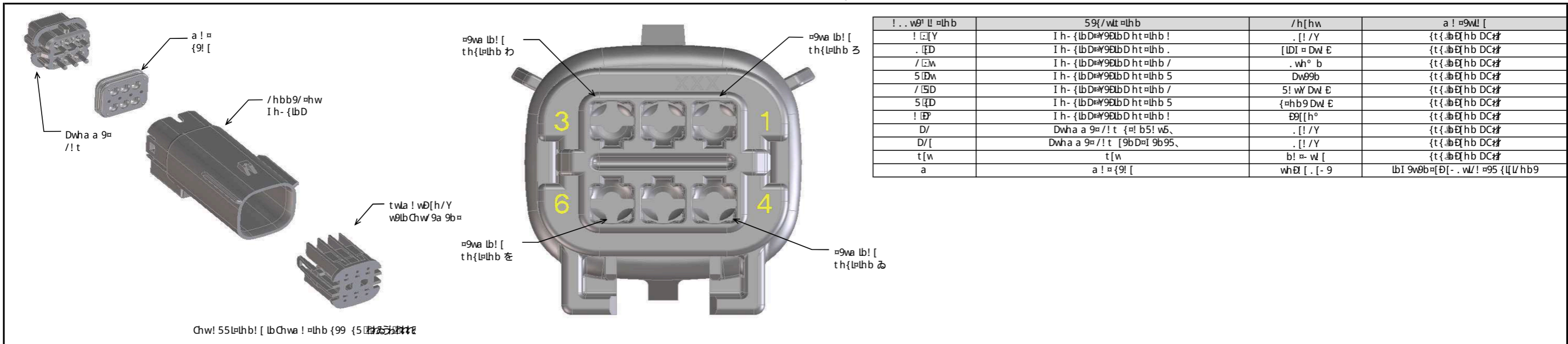
BLADE SEALED ASSEMBLY WITH BLADE BACKSHELL



ADD THE VALUE OF 'Y' TO THE TOTAL DIMENSION WHENEVER ADAPTOR IS USED



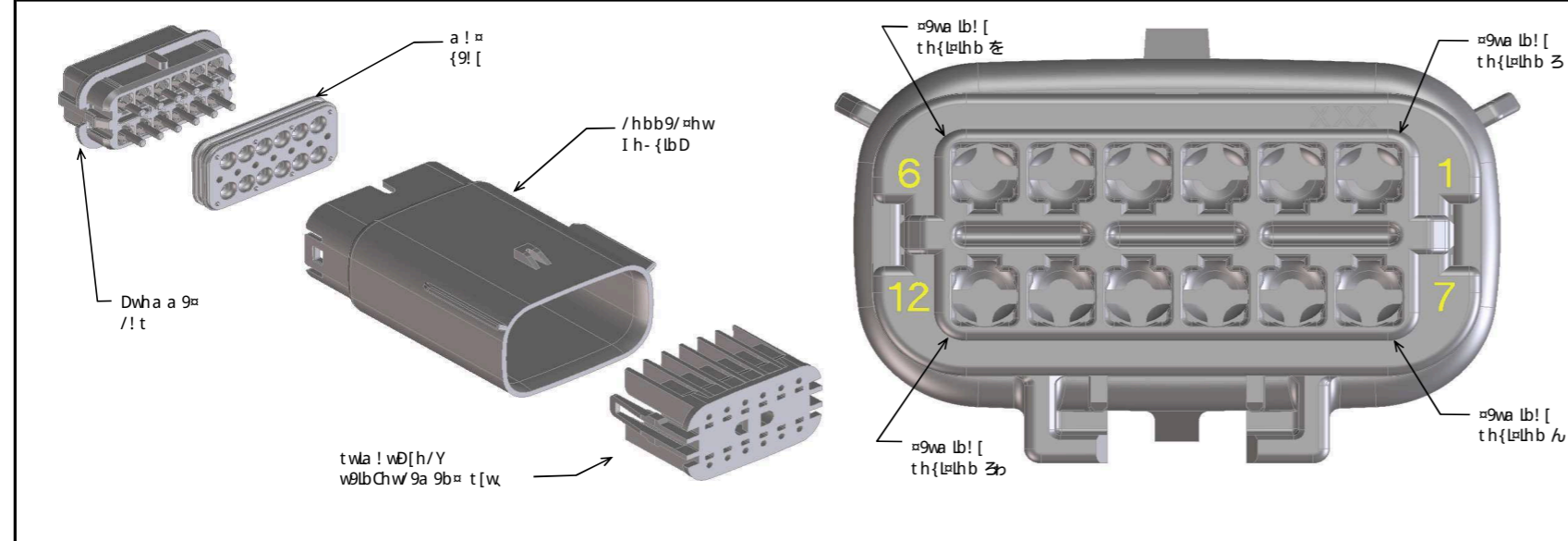
SYMBOLS	THIS DRAWING CONTAINS INFORMATION THAT IS PROPRIETARY TO MOLEX ELECTRONIC TECHNOLOGIES, LLC AND SHOULD NOT BE USED WITHOUT WRITTEN PERMISSION		CURRENT REV DESC:		molex		
	DIMENSION UNITS	SCALE					
▽ = 0	mm	1:1	EC NO: 171650 DRWN: PMANJUNATHAC 2018/01/03 CHK'D: MVANSLAMBROU 2018/02/16 APPR: MVANSLAMBROU 2018/02/16 INITIAL REVISION: DRWN: APROFFITT 2014/04/28 APPR: VKOSHY 2014/05/14		MX150 BLADE DUAL ROW SEALED ASSEMBLY MAT SEAL		
▽ = 0	GENERAL TOLERANCES (UNLESS SPECIFIED)				PRODUCT CUSTOMER DRAWING		
▽ = 0	ANGULAR TOL ± 1.0°				DOCUMENT NUMBER		
▽ = 0	4 PLACES ±				SD-33482-0001		
▽ = 0	3 PLACES ±				DOC TYPE DOC PART REVISION		
▽ = 0	2 PLACES ± 0.1		PSD 001 E2				
▽ = 0	1 PLACE ± 0.2		MATERIAL NUMBER				
▽ = 0	0 PLACES ±		CUSTOMER				
▽ = 0	DRAFT WHERE APPLICABLE MUST REMAIN WITHIN DIMENSIONS		THIRD ANGLE PROJECTION		SHEET NUMBER		
▽ = 0			DRAWING		GENERAL MARKET		
			SERIES		11 OF 11		
			A1-SIZE				
			33482				



! . w9! l = lhb	59{/wt lhb	/h[hw	a ! =9wll [
! [Y	I h- {lbDw99bD ht =lhb !	. [!/Y	{t {bE[hb DC#
. [ED	I h- {lbDw99bD ht =lhb .	[lDI = Dw E	{t {bE[hb DC#
/ [EW	I h- {lbDw99bD ht =lhb /	. wh° b	{t {bE[hb DC#
5 [Dw	I h- {lbDw99bD ht =lhb 5	Dw99b	{t {bE[hb DC#
/ [SD	I h- {lbDw99bD ht =lhb /	5! wW Dw E	{t {bE[hb DC#
5 [ED	I h- {lbDw99bD ht =lhb 5	{=hb9 Dw E	{t {bE[hb DC#
! [E°	I h- {lbDw99bD ht =lhb !	E9[[h°	{t {bE[hb DC#
D/	Dwha a 9a /! t {= b5! w6、	. [!/Y	{t {bE[hb DC#
D/[Dwha a 9a /! t [9bDwI 9b95、	. [!/Y	{t {bE[hb DC#
t[w	t[w	b! =- w [{t {bE[hb DC#
a	a ! = {9! [whE [. [- 9	lbI 9w9b=[E[- . w! / =95 {lL/hb9

! {{9a . [D59{/wt lhb	! {{9a . [D t! w° b- a . 9w	/ha thb9b=					. [h/Y95 =9wa lb! [{										{= {	/ha a 9b={	ht=lhb! [! =! =/I a 9b={ h{5 {9t 9w =9{D				
		I h- {lbD Y9Dw[hhw	Dwha a 9a /! t	t[w	a ! = {9! [ろ	わ	わ	ゐ	ゑ	を								./Y{I 9{ [° lwl {	./Y{I 9{ [° lwl {			
Y9D! [!/Y	[Material]	! [Y	D/	t[w	a																		
Y9D! [lDI = Dw E	[Material]	. [ED	D/	t[w	a																		
Y9D/ [wh° b	[Material]	/ [EW	D/	t[w	a																		
Y9D5! [Dw99b	[Material]	5 [Dw	D/	t[w	a																		
1 h5 Y9E	[Material]																						
Y9D! [!/Y	[Material]	! [Y	D/	t[w	a																		
Y9D! [lDI = Dw E	[Material]	. [ED	D/	t[w	a																		
Y9D/ [wh° b	[Material]	/ [EW	D/	t[w	a																		
Y9D5! [Dw99b	[Material]	5 [Dw	D/	t[w	a																		
1 h5 Y9E	[Material]																						

! {9a . [D59{/wt =lhb	! {9a . [D t! w b- a . 9w	/ha thb9b=				. [h/Y95 =9wa lb! {											{m - {	/ha a 9b={	ht =lhb! [! m/ I a 9b={ h{5 {9t 9w =9[D				
		=I 9tw9b/9hC! b! . . w9! ll =lhb lb5L! =9{ =I 9 tw9(9b/9hC=I! =/ha thb9b=				/! ' l=9° l=I ! b- a . 9wlb5L! =9{ . [h/Y95 =9wa lb! [t h{ l=lhb /! ' l=9° l=I h- =! b- a . 9wlb5L! =9{ ht 9b =9wa lb! [t h{ l=lhb													./Y{I 9[[° l=I wL {	./Y{I 9[[° l=I h- = wL {			
		I h- {lbD Y9D= h{hw	Dwha a 9=	t[w	a! = {9! [ろ	わ	わ	ゐ	ゑ	を												
Y9D! 9[! /Y	!	D/	t[w	a															{! [9! . [9				
Y9D. =I DI = Dw E	.	D/	t[w	a															{! [9! . [9				
Y9D/ =5! wW Dw E	/	D/	t[w	a															{! [9! . [9				
Y9D! 9[! /Y	!	D/	t[w	a															{! [9! . [9				
Y9D! 9[! /Y	!	D/	t[w	a															{! [9! . [9				
Y9D! 9[! /Y	!	D/	t[w	a															{! [9! . [9				
Y9D! 9[! /Y	!	D/	t[w	a															{! [9! . [9				
Y9D! 9[! /Y	!	D/	t[w	a															{! [9! . [9				
Y9D! 9[! /Y	!	D/	t[w	a															{! [9! . [9				
Y9D! 9[! /Y	!	D/	t[w	a															{! [9! . [9				
Y9D. =I DI = Dw E	.	D/	t[w	a															{! [9! . [9				
Y9D. =I DI = Dw E	.	D/	t[w	a															{! [9! . [9				
Y9D! 9[! /Y	!	D/	t[w	a															{! [9! . [9				
Y9D! 9[! /Y	!	D/	t[w	a															{! [9! . [9				
Y9D. =I DI = Dw E	.	D/	t[w	a															{! [9! . [9				



! . w9! ll =lh b	59/wt =lh b	/h[hw	a ! =9wll [
! [Y	I h- {lbDw99bD ht =lh b!	. ! /Y	{t {lbE[hb DC#
. [D	I h- {lbDw99bD ht =lh b .	[lDI = Dw E	{t {lbE[hb DC#
/ [w	I h- {lbDw99bD ht =lh b /	. wh° b	{t {lbE[hb DC#
5 [Dw	I h- {lbDw99bD ht =lh b 5	Dw99b	{t {lbE[hb DC#
! [E	I h- {lbDw99bD ht =lh b !	E9[h°	{t {lbE[hb DC#
/ [SD	I h- {lbDw99bD ht =lh b /	5! wW Dw E	{t {lbE[hb DC#
5 [D	I h- {lbDw99bD ht =lh b 5	{=hb9Dw E	{t {lbE[hb DC#
D/t	Dwha a 9a /! t t[- DD95、	. ! /Y	{t {lbE[hb DC#
t [w	t [w	b! = w [{t {lbE[hb DC#
a [a ! =9! [w {=w95	lbI 9w9b=[D[- . w! ! =95 {ll/hb9
a [a ! =9! [whE [. [- 9	lbI 9w9b=[D[- . w! ! =95 {ll/hb9

Chw! 55lehb! [lbChwa ! =lh b {99 {5 [999999

! {{9a . [D59/wt =lh b	! {{9a . [Dt! wa b- a . 9w	. [h/Y95 =9wa lb! [{																/ha a 9b=	ht =lh b! [! =! m/I a 9b= {h5 {9t9w =9 [D			
		/ha thb9b=				/! ' leD° leI ! b- a . 9wlb5L! =9 [. [h/Y95 =9wa lb! [th{lehb /! ' leD° leI h- =! b- a . 9wlb5L! =9 { ht9b =9wa lb! [th{lehb													./Y [I 9 [° leI wL {	./Y [I 9 [° leI h- = wL {		
I h- {lbD Y9D#h[hw	Dwha a 9a /! t	t [w	a ! =9! [ろ	わ	わ	ゐ	ゑ	を	ん	う	ゝ	ぢ	ぢ	ぢ							
Y9D! [! /Y	!	[Y	D/t	t [w	a [t [! bb95 h. {h [9/9b/9	{99		
Y9D! [DI = Dw E	.	[D	D/t	t [w	a [t [! bb95 h. {h [9/9b/9	{99		
Y9D/ wh° b	/	[w	D/t	t [w	a [t [! bb95 h. {h [9/9b/9	{99		
Y9D5=Dw99b	5	[Dw	D/t	t [w	a [t [! bb95 h. {h [9/9b/9	{99		
1 h15 Y9E																						
Y9D! [! /Y	!	[Y	D/t	t [w	a [t [! bb95 h. {h [9/9b/9	{99		
Y9D! [DI = Dw E	.	[D	D/t	t [w	a [t [! bb95 h. {h [9/9b/9	{99		
Y9D/ wh° b	/	[w	D/t	t [w	a [t [! bb95 h. {h [9/9b/9	{99		
Y9D5=Dw99b	5	[Dw	D/t	t [w	a [t [! bb95 h. {h [9/9b/9	{99		
1 h15 Y9E																						
Y9D! [! /Y	!	[Y	D/t	t [w	a [t [! bb95 h. {h [9/9b/9	{99		
Y9D! [DI = Dw E	.	[D	D/t	t [w	a [t [! bb95 h. {h [9/9b/9	{99		
Y9D/ wh° b	/	[w	D/t	t [w	a [t [! bb95 h. {h [9/9b/9	{99		
Y9D5=Dw99b	5	[Dw	D/t	t [w	a [t [! bb95 h. {h [9/9b/9	{99		
1 h15 Y9E																						
Y9D! [! /Y	!	[Y	D/t	t [w	a [t [! bb95 h. {h [9/9b/9	{99		
Y9D! [DI = Dw E	.	[D	D/t	t [w	a [t [! bb95 h. {h [9/9b/9	{99		
Y9D/ wh° b	/	[w	D/t	t [w	a [t [! bb95 h. {h [9/9b/9	{99		
Y9D5=Dw99b	5	[Dw	D/t	t [w	a [t [! bb95 h. {h [9/9b/9	{99		
1 h15 Y9E																						
Y9D! [! /Y	!	[Y	D/t	t [w	a [t [! bb95 h. {h [9/9b/9	{99		
Y9D! [DI = Dw E	.	[D	D/t	t [w	a [t [! bb95 h. {h [9/9b/9	{99		
Y9D/ wh° b	/	[w	D/t	t [w	a [t [! bb95 h. {h [9/9b/9	{99		
Y9D5=Dw99b	5	[Dw	D/t	t [w	a [t [! bb95 h. {h [9/9b/9	{99		
1 h15 Y9E																						
Y9D! [! /Y	!	[Y	D/t	t [w	a [t [! bb95 h. {h [9/9b/9	{99		
Y9D! [DI = Dw E	.	[D	D/t	t [w	a [t [! bb95 h. {h [9/9b/9	{99		
Y9D/ wh° b	/	[w	D/t	t [w	a [t [! bb95 h. {h [9/9b/9	{99		
Y9D5=Dw99b	5	[Dw	D/t	t [w	a [t [! bb95 h. {h [9/9b/9	{99		
1 h15 Y9E																						
Y9D! [! /Y	!	[Y	D/t	t [w	a [t [! bb95 h. {h [9/9b/9	{99		
Y9D! [DI = Dw E	.	[D	D/t	t [w	a [t [! bb95 h. {h [9/9b/9	{99		
Y9D/ wh° b	/	[w	D/t	t [w	a [t [! bb95 h. {h [9/9b/9	{99		
Y9D5=Dw99b	5	[Dw	D/t	t [w	a [t [! bb95 h. {h [9/9b/9	{99		
1 h15 Y9E																						
Y9D! [! /Y	!	[Y	D/t	t [w	a [t [! bb95 h. {h [9/9b/9	{99		
Y9D! [DI = Dw E	.	[D	D/t	t [w	a [t [! bb95 h. {h [9/9b/9	{99		
Y9D/ wh° b	/	[w	D/t	t [w	a [t [! bb95 h. {h [9/9b/9	{99		
Y9D5=Dw99b	5	[Dw	D/t	t [w	a [t [! bb95 h. {h [9/9b/9	{99		
1 h15 Y9E																						
Y9D! [! /Y	!	[Y	D/t	t [w	a [t [! bb95 h. {h [9/9b/9	{99		
Y9D! [DI = Dw E	.	[D	D/t	t [w	a [t [! bb95 h. {h [9/9b/9	{99		
Y9D/ wh° b	/	[w	D/t	t [w	a [t [! bb95 h. {h [9/9b/9	{99		
Y9D5=Dw99b	5	[Dw	D/t	t [w	a [t [! bb95 h. {h [9/9b/9	{99		
1 h15 Y9E																						
Y9D! [! /Y	!	[Y	D/t	t [w	a [t [! bb95 h. {h [9/9b/9	{99		
Y9D! [DI = Dw E	.	[D	D/t	t [w	a [t [! bb95 h. {h [9/9b/9	{99		
Y9D/ wh° b	/	[w	D/t	t [w	a [t [! bb95 h. {h [9/9b/9	{99		
Y9D5=Dw99b	5	[Dw	D/t	t [w	a [t [! bb95 h. {h [9/9b/9	{99		
1 h15 Y9E																						

Table with columns for phonetic symbols, kana characters, and romanized forms. Includes headers like /ha thb9b= and /h/Y95 99wa lb! { { and rows of data for various syllables.

Table with columns for phonetic symbols, kana characters, and romanized forms. Includes headers for /ha thb9b= and /h/Y95 =9wa lb! { { and sub-headers for I h- {lbD, Dwba a 9a, and various kana characters like ろ, わ, ぢ, etc.

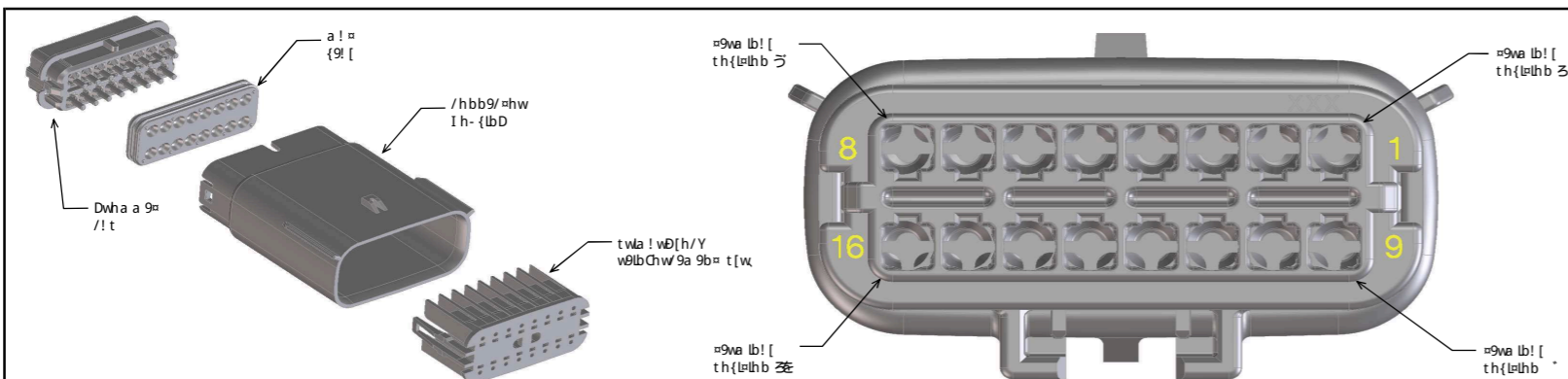
Table with multiple columns containing alphanumeric codes, symbols, and Japanese characters. The table is organized into several sections with headers like /ha thb9b and .[h/Y95 9wa lb! {.

Table with multiple columns containing alphanumeric characters and symbols, organized in a grid format. The table includes various combinations of letters, numbers, and symbols, likely representing a data set or a codebook.

a 59{9! [95! {{Da! x{9! [.ha !b5 tlb h- x{I 99x

Table with multiple columns containing alphanumeric characters and symbols, organized in a grid format. The table appears to be a data sheet or a reference table for a specific system or language.

Table with columns for phonetic symbols and kana characters. Headers include /ha thb9b=, /h/Y95 =9wa lb! {, and ht=lhb! [! =! /I a 9b={ {h{5 9t9w =9{D. Rows list various kana combinations like Y9D! 4[! /Y and their corresponding symbols.



Chw! 55!lhb! lbChwa ! lhb 99 5

Table with columns: ! w! l h/b, 59/w! l h/b, /h/hw, a ! 9w! [. Content includes part numbers and dimensions.

Main data table with multiple columns for specifications, part numbers, and dimensions. Includes headers like /ha thb9b= and . /h/Y95 9wa lb! [.

Table with columns for part numbers, descriptions, and various alphanumeric codes. It includes a grid of data rows for various part numbers like Y9D1 and Y9D, organized by material and length.

Table with columns for /ha thb9b0, /h/Y95 09va lb! [{" , and h t=hb1 [! =01 w/ I a 9b= { h5 { 9r9M =09 D. The table contains a dense grid of data points across multiple rows and columns.

Table with multiple columns for material codes, dimensions, and properties. Includes headers like /ha thb9b= and /h/Y95=9va lb! [{ and various sub-headers for material types and dimensions.

9/b bh 5! =9

Table with multiple columns including headers like /ha thb9b, /h/Y95 9wa lb! {, and various alphanumeric codes. The table contains numerous rows of data, likely representing a technical specification or a data set.

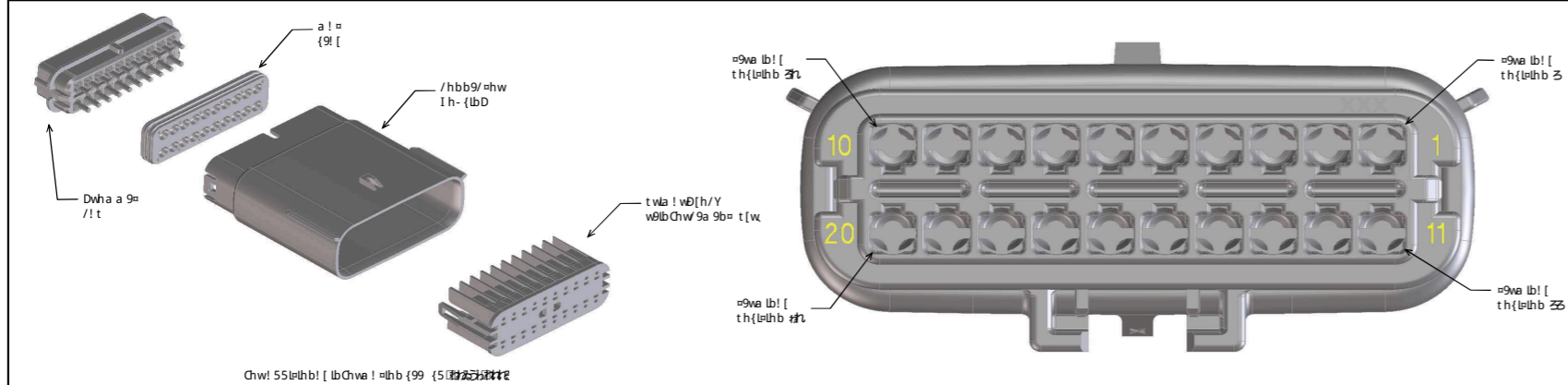


Table with 5 columns: Part No., Dimensions (mm), Dimensions (inches), and Pin Configuration. Includes entries for 95, 99, and 100 series connectors.

Main pinout table with columns for Connector No., Dimensions, Pin No., and Pin Signal Name. Rows list various connector configurations and their corresponding pin assignments.

Large table with columns for data fields like /ha thb9b, .h/Y95 #9wa lb!{, and various alphanumeric codes.

