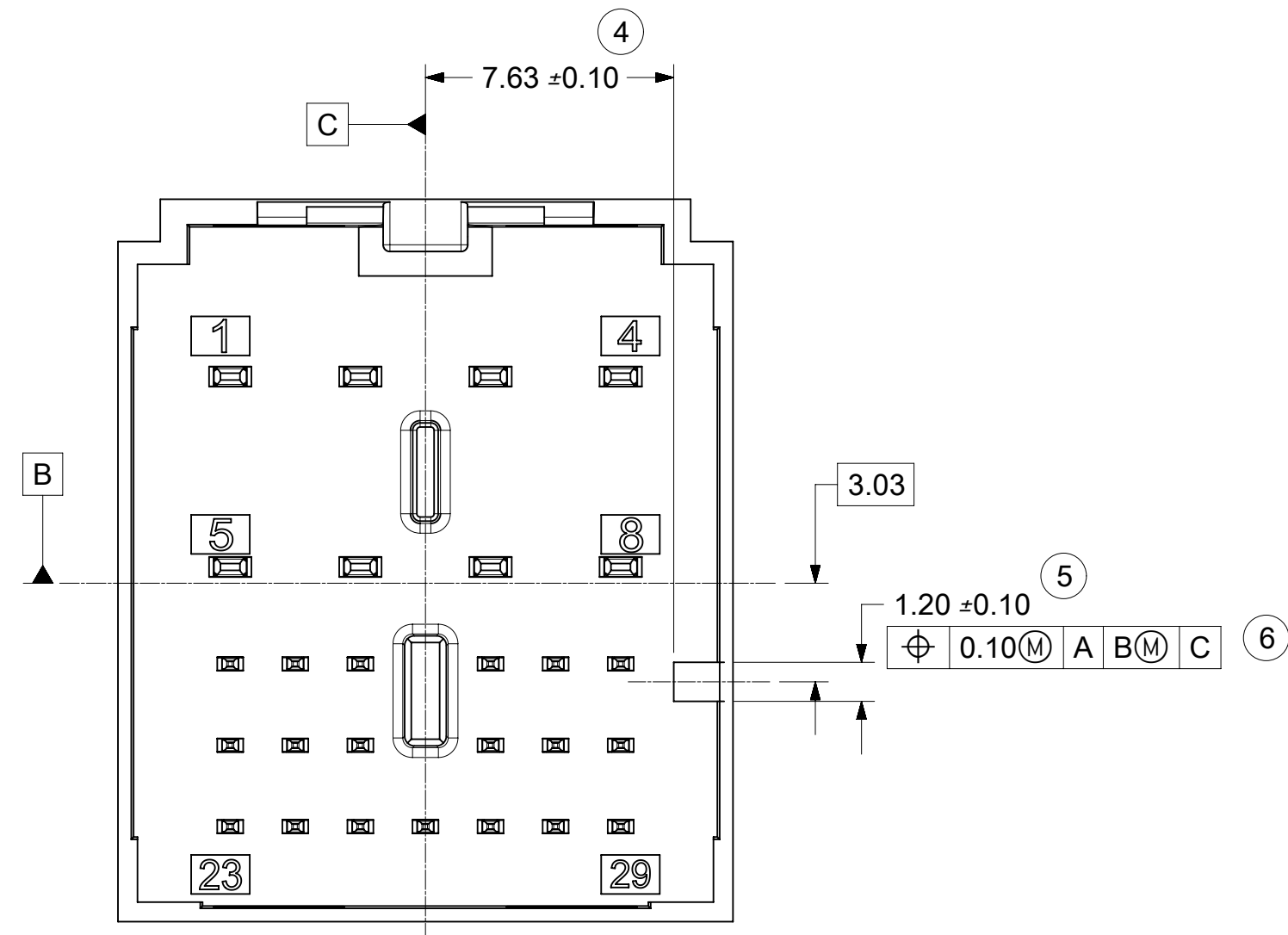
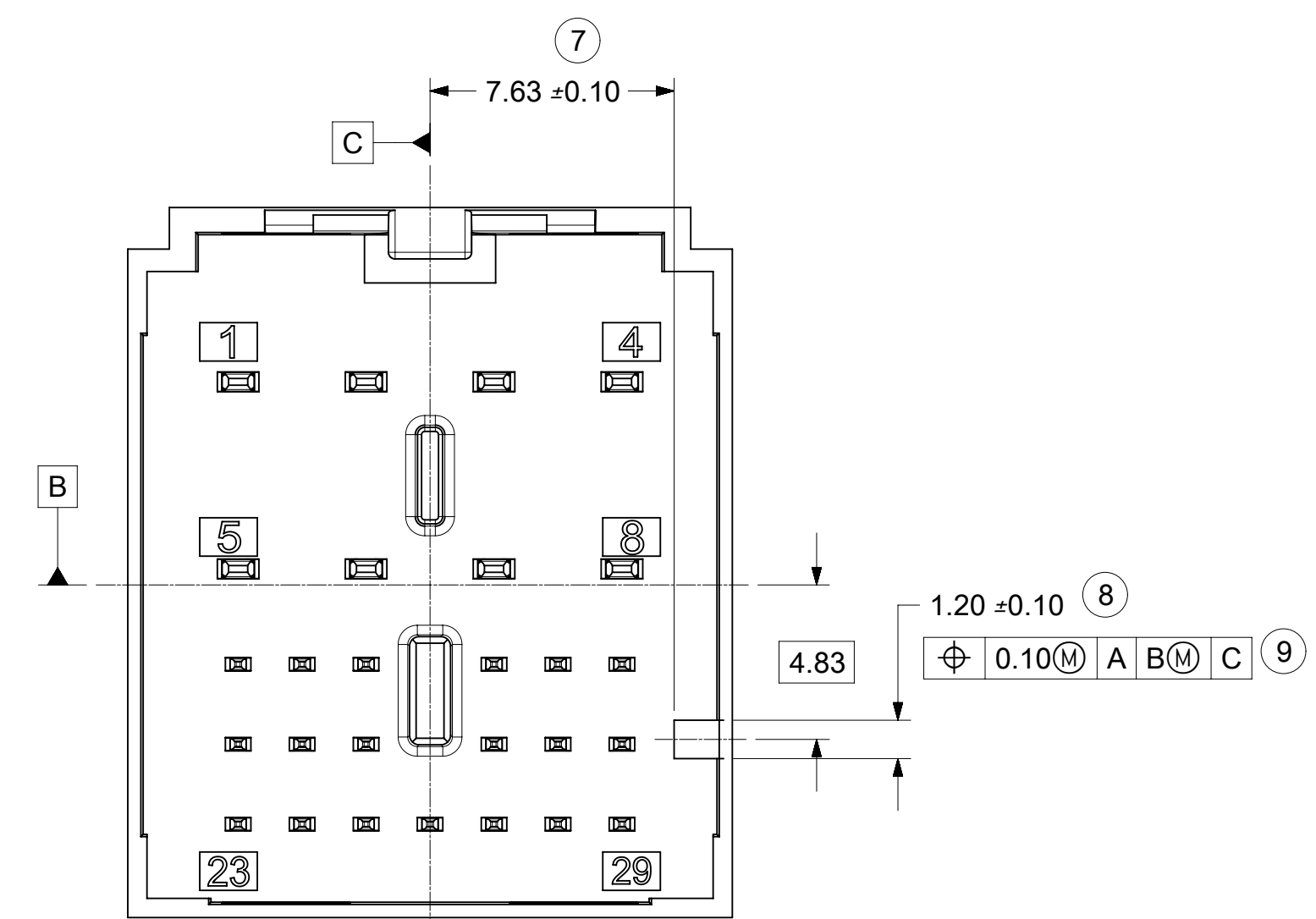


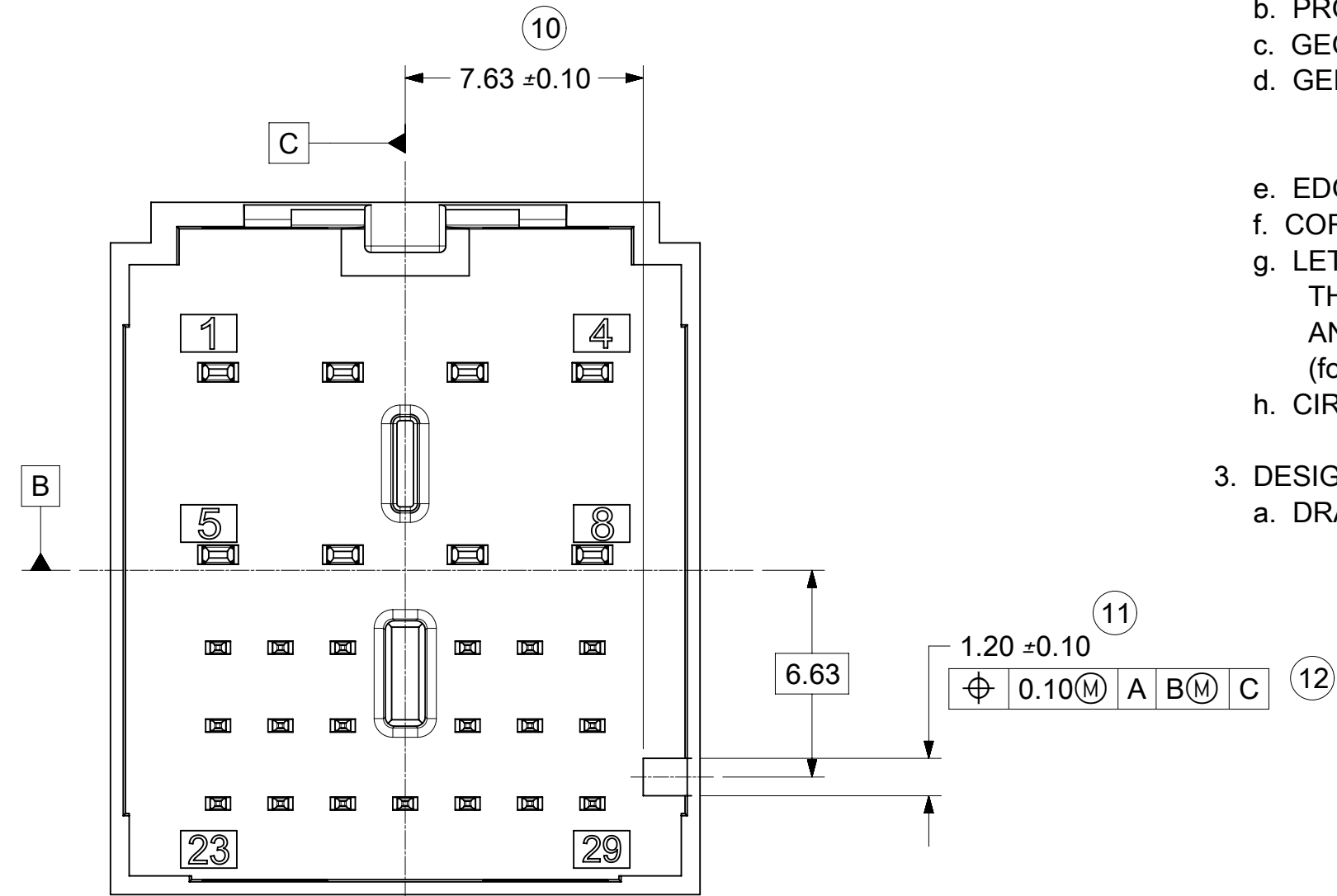
INTERFACE KEY #1
MATING CONNECTOR COLOR: BLACK



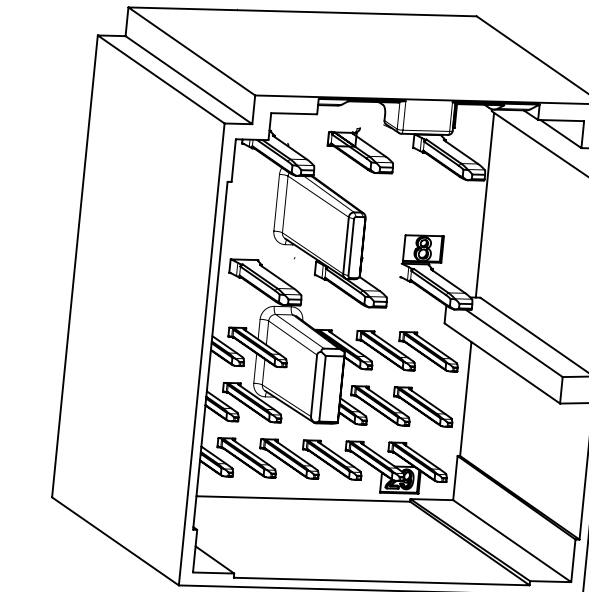
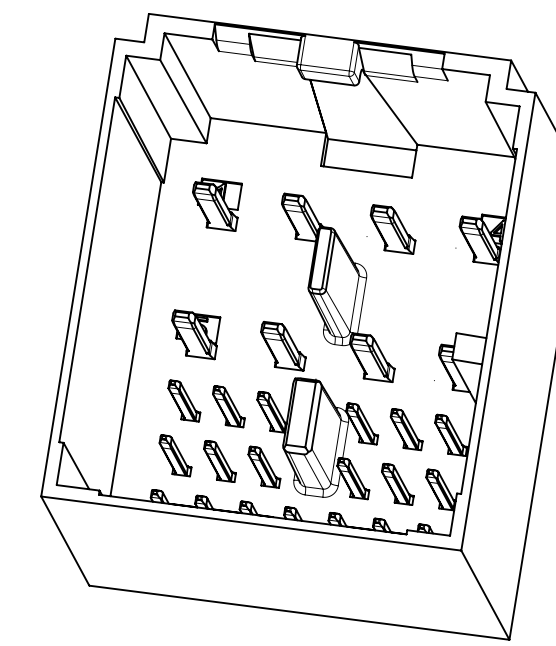
INTERFACE KEY #2
MATING CONNECTOR COLOR: LT GREEN B



INTERFACE KEY #3
MATING CONNECTOR COLOR: LT BLUE B



INTERFACE KEY #4
MATING CONNECTOR COLOR: PURPLE C

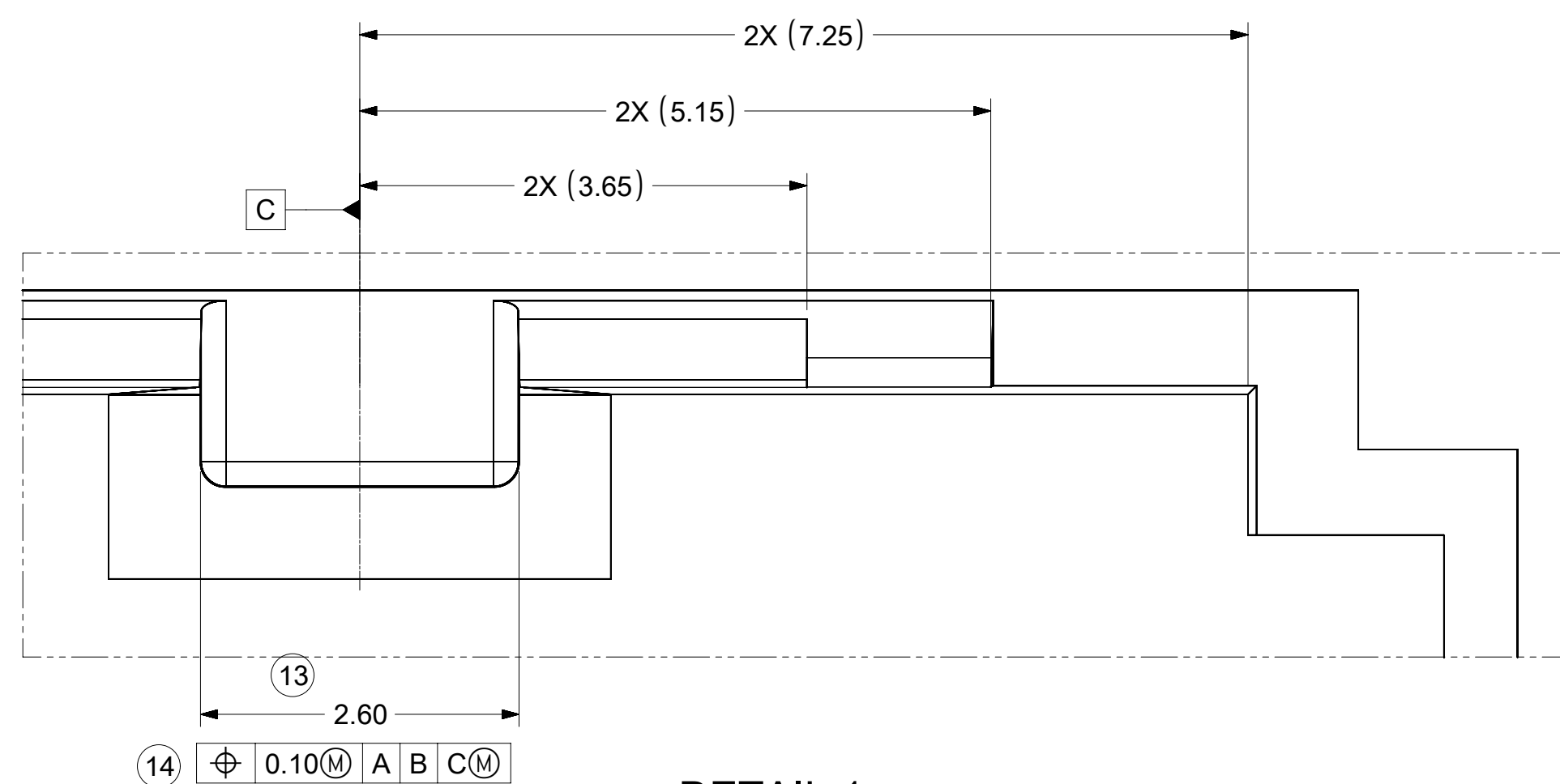


NOTES: VALID UNLESS OTHERWISE SPECIFIED

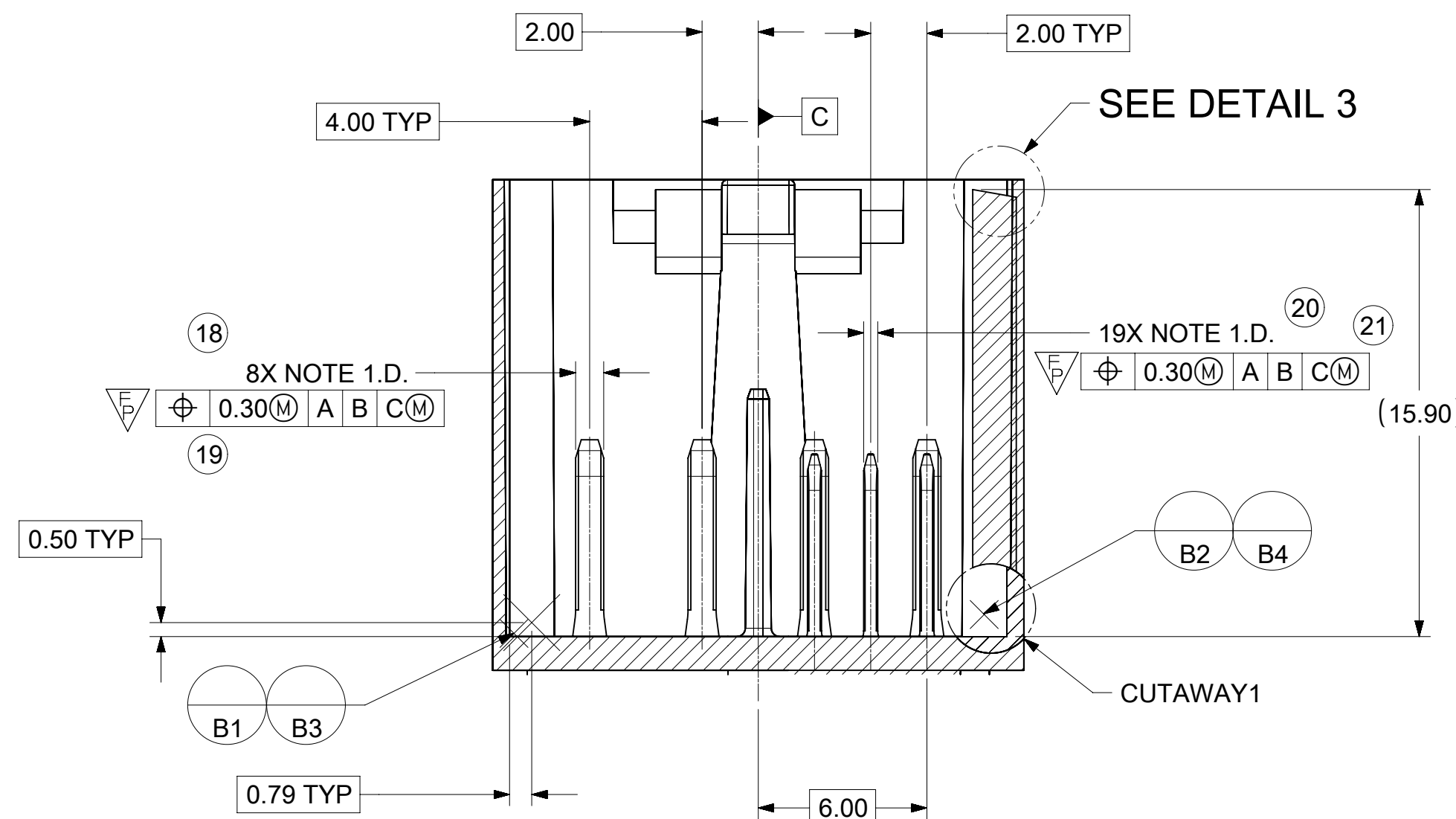
1. DESIGN - MATERIALS:
 - a. RESIN MATERIAL: PBT+GF30 OR SPS+GF30 OR EQUIVALENT
 - b. PIN/BLADE MATERIAL: ACCORDING TO USCAR DRAWING EWCAP-001 NOTE B2.
 - c. PLATING: ACCORDING TO USCAR DRAWING EWCAP-001 TIN REFLOW WITH UNDERPLATE.
 - d. PIN TIPS ACCORDING TO USCAR DRAWING EWCAP-001 (120-T002 AND 050-T001)
 - e. DEVIATION TO EWCAP-001 ACCEPTABLE IF PERFORMANCE(ELECTRICAL/MECHANICAL)IS SHOWN TO BE EQUAL OR BETTER AS REQUIRED BY VALIDATION TESTING.
2. DESIGN - GEOMETRY:
 - a. ALL GRAPHIC DATA IS BASIC (NO TOLERANCE) AND MUST BE TAKEN FROM THE DATA FILE AT ITS LATEST REVISION.
 - b. PRODUCT DESIGN MODEL NUMBER(S): SEE BOM TABLE
 - c. GEOMETRIC DIMENSIONS AND TOLERANCES PER ASME Y14.5M-2009
 - d. GENERAL TOLERANCES:
 - LINEAR: PER DIN 16901 LINEAR CODE B FOR PRECISION ENGINEERING
 - ANGULAR: ± 3°
 - e. EDGES AND UNDIMENSIONED DETAILS PER ISO13715
 - f. CORNERS SHOWN AS SHARP TO BE R 0.2 MAX.
 - g. LETTERING SHALL BE 0.15 MAX RAISED IN 0.25 MAX RECESS PAD. THIS INCLUDES RECYCLING CODE, CAVITY ID, VENDOR IDENTIFICATION, AND CUSTOMER MATERIAL NUMBER. (for small parts: LETTERING SHALL BE 0.10 MAX RAISED IN 0.15 MAX RECESS PAD)
 - h. CIRCUIT LOCATIONS 12 AND 19 VOIDED FOR 27WAY INTERFACE
3. DESIGN - MANUFACTURING:
 - a. DRAFT TO BE WITHIN TOLERANCE.

B1	ADDED BALLOONS JCONDON 08/02/2018
B	REMOVED 0.2MM FROM CONNECTOR LOCK TAB FEATURE
A1	NOTE 1.E. ADDED JCONDON 11/13/2017
A	NX-REMASTERING SAP # 10867412
9	UAU2016-1182 SAP # 10762453 JCONDON 02/08/2016
8	UAU2016-0542 SAP # 10728331 JCONDON 10/20/2015
7	UAU2015-1446 SAP # 10681629 JCONDON 03/25/2015
6	UAU2015-1212 SAP # 10674908 JCONDON 02/06/2015
5	UAU2015-1036 SAP # 10670355 JCONDON 01/07/2015
4	UAU2015-0634 SAP # 10661788 JCONDON 10/22/2014
3	UAU2014-1679 SAP # XXXXXXXX JCONDON 03/17/2014
2	UAU2014-1221 SAP # XXXXXXXX MYOUNG01 01/31/2014
1	UAU2014-0715 SAP # XXXXXXXX DAHALL 11/20/2013
REV	DESCRIPTION

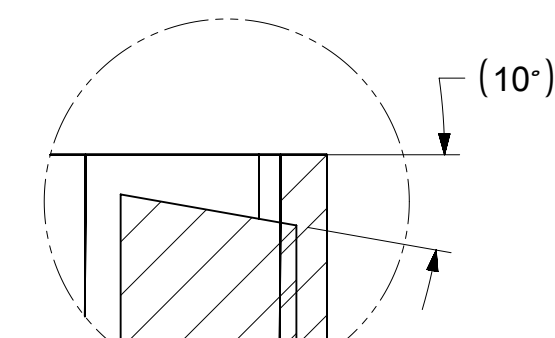
SYMBOLS	THIS DRAWING CONTAINS INFORMATION THAT IS PROPRIETARY TO MOLEX ELECTRONIC TECHNOLOGIES, LLC AND SHOULD NOT BE USED WITHOUT WRITTEN PERMISSION		CURRENT REV DESC: ADDED DIMENSION BALLOONS					
	DIMENSION UNITS	SCALE						
▽ = 0	mm	5:1						
▽ = 0	GENERAL TOLERANCES (UNLESS SPECIFIED)							
▽ = 0	ANGULAR TOL ± °							
▽ = 0	4 PLACES ±							
▽ = 0	3 PLACES ±							
▽ = 0	2 PLACES ±							
▽ = 0	1 PLACE ±							
▽ = 0	0 PLACES ±							
■ = 0	DRAFT WHERE APPLICABLE MUST REMAIN WITHIN DIMENSIONS		THIRD ANGLE PROJECTION	DRAWING	SERIES	MATERIAL NUMBER CUSTOMER SHEET NUMBER		
▽ = 0				D-SIZE	160029	SD-160029-002		PSD 001 B1
						GENERAL MARKET		1 OF 3



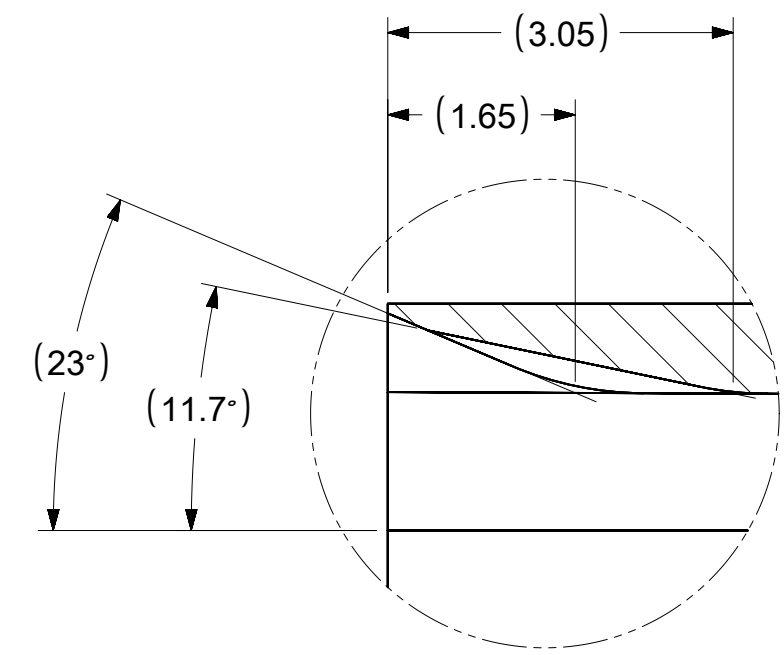
DETAIL 1
SCALE 20:1



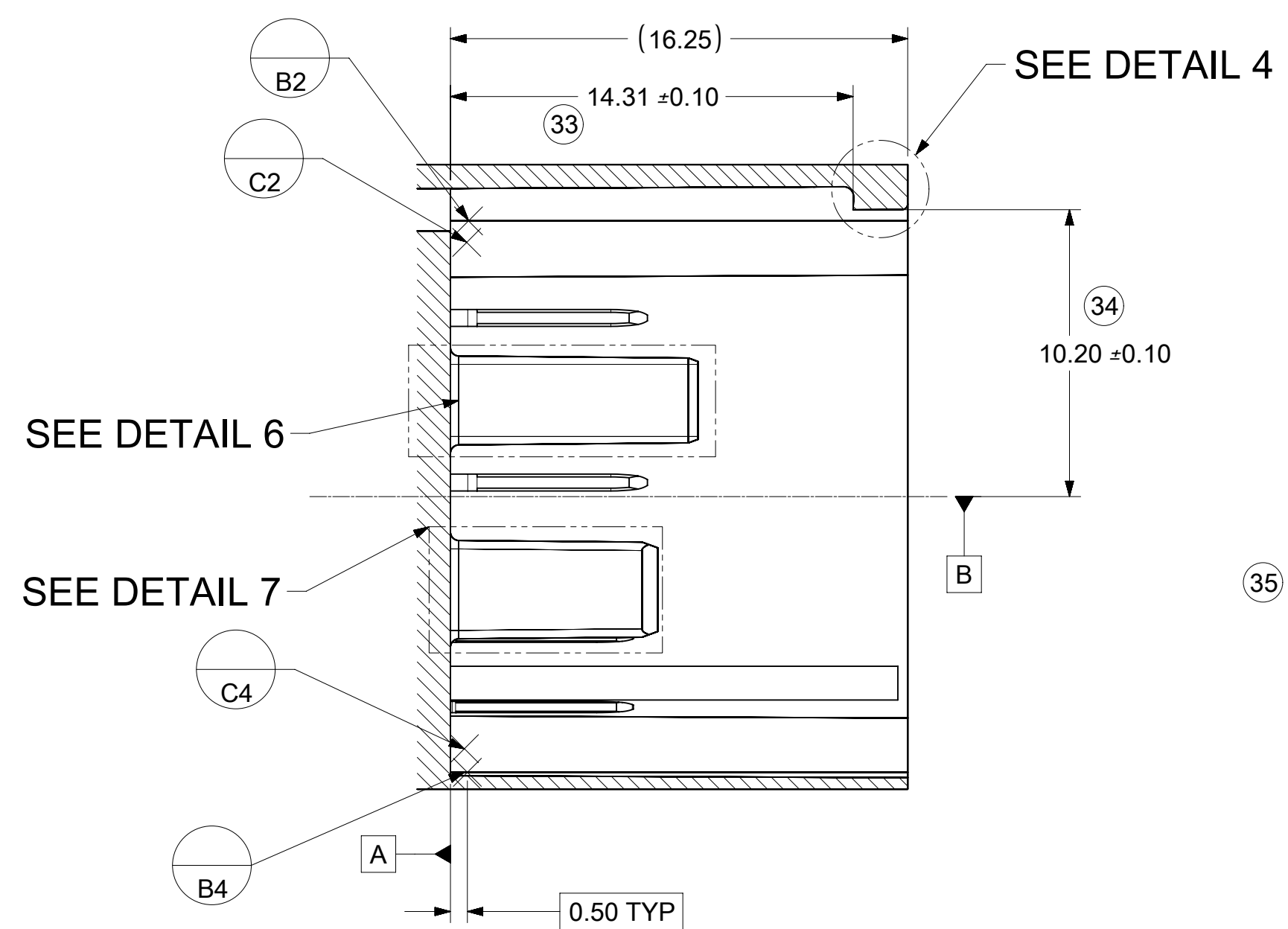
SECTION X-X



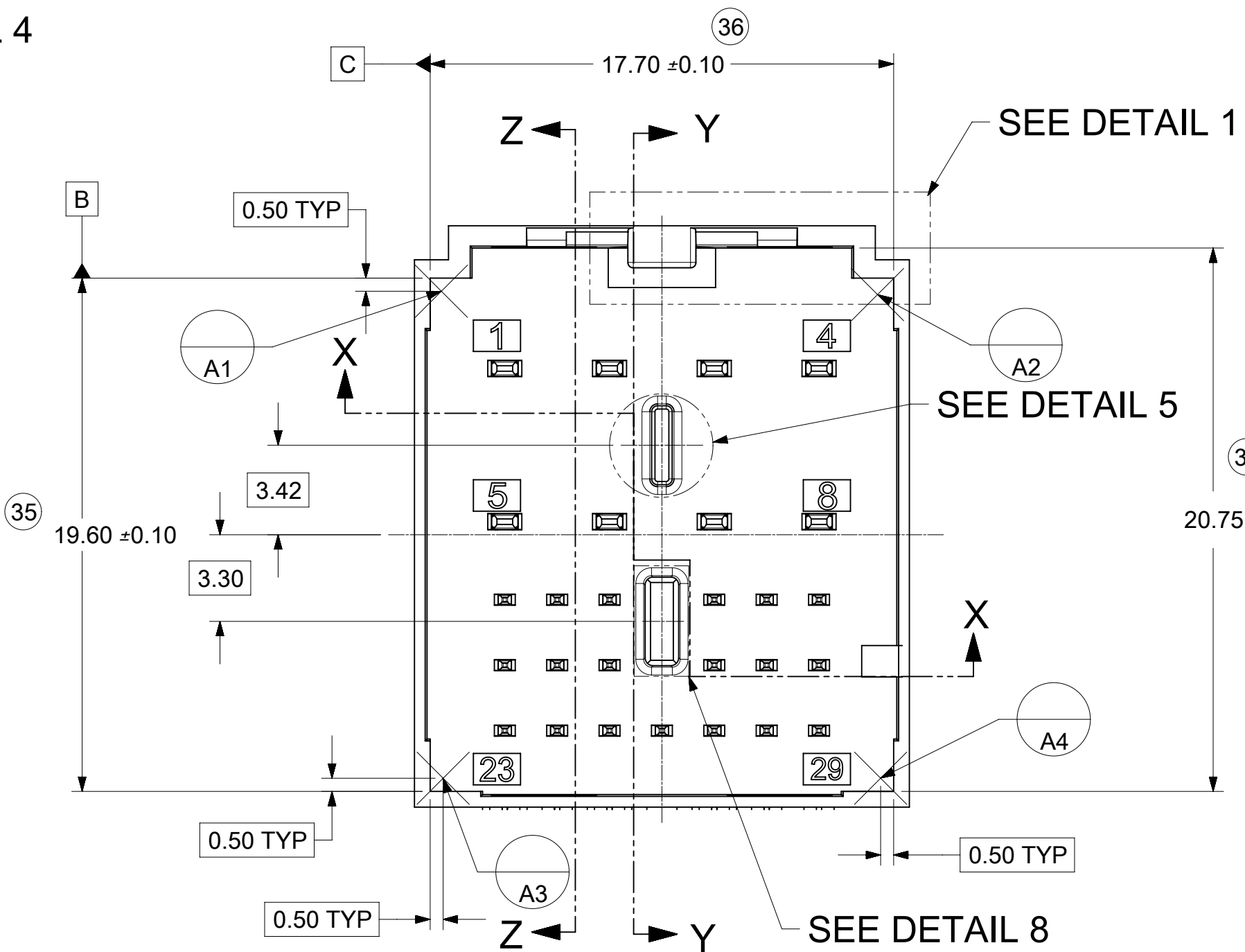
DETAIL 3
SCALE 15:1



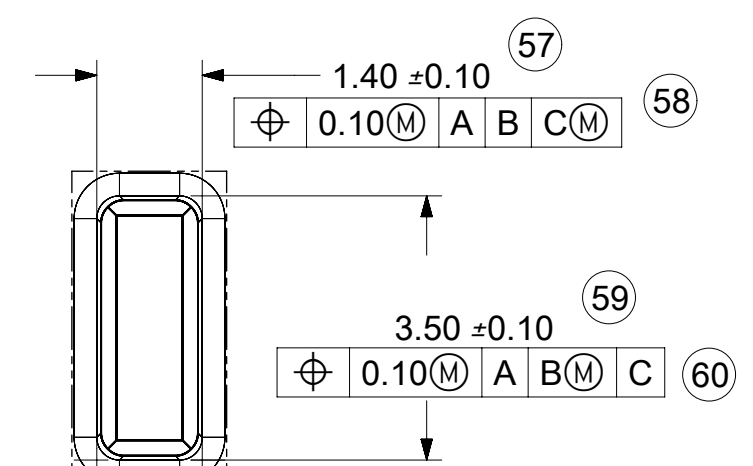
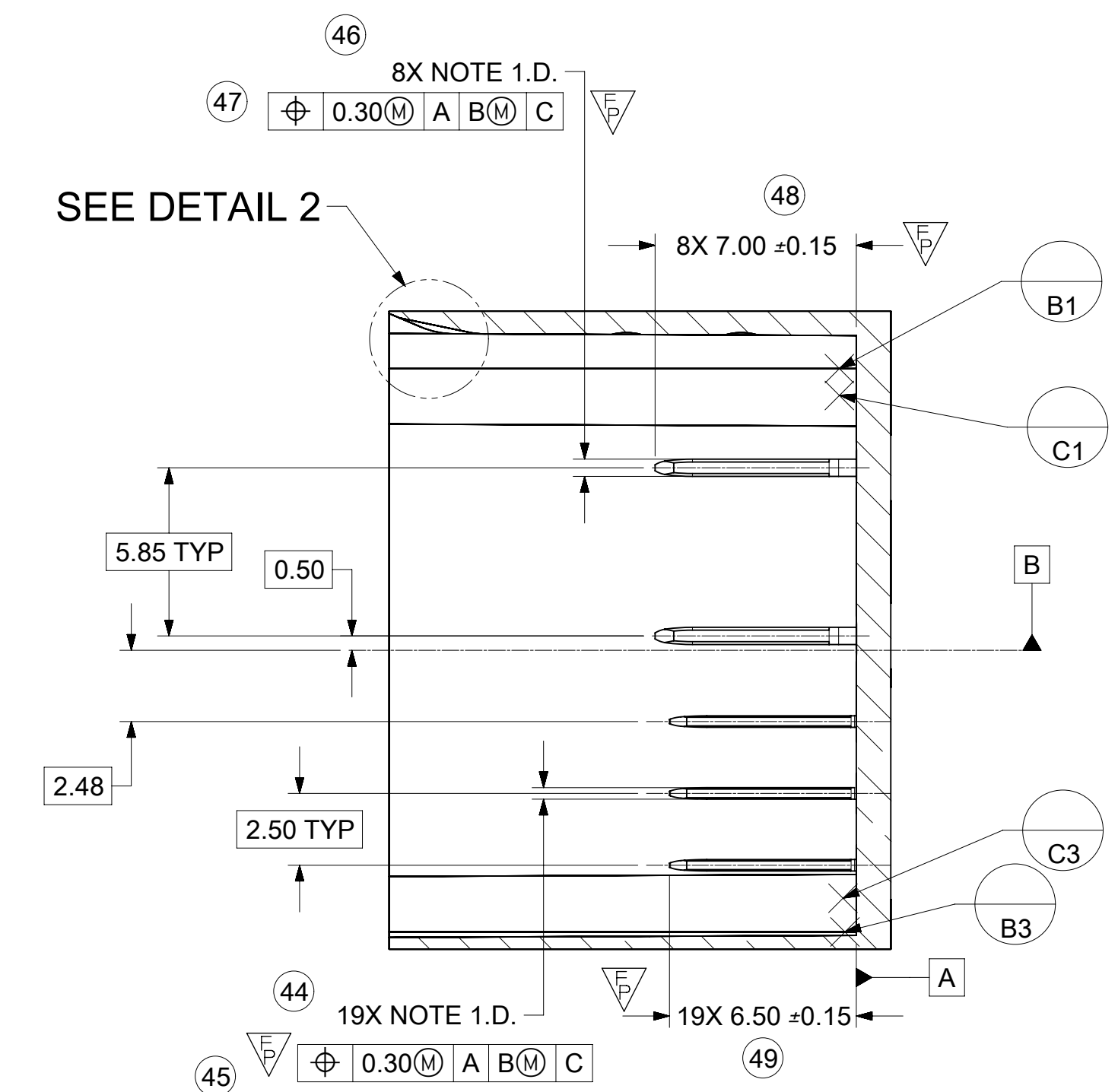
DETAIL 2
SCALE 15:1



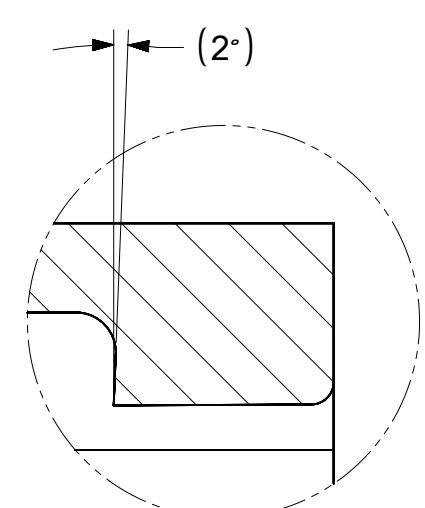
SECTION Y-Y



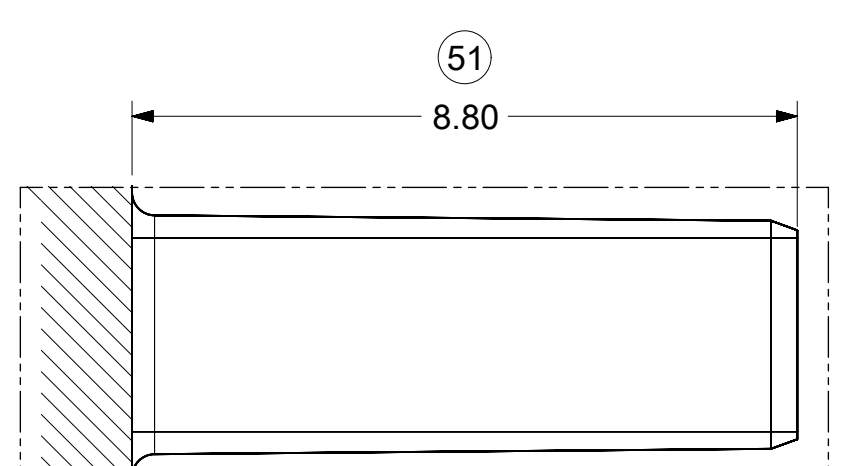
SECTION Z-Z



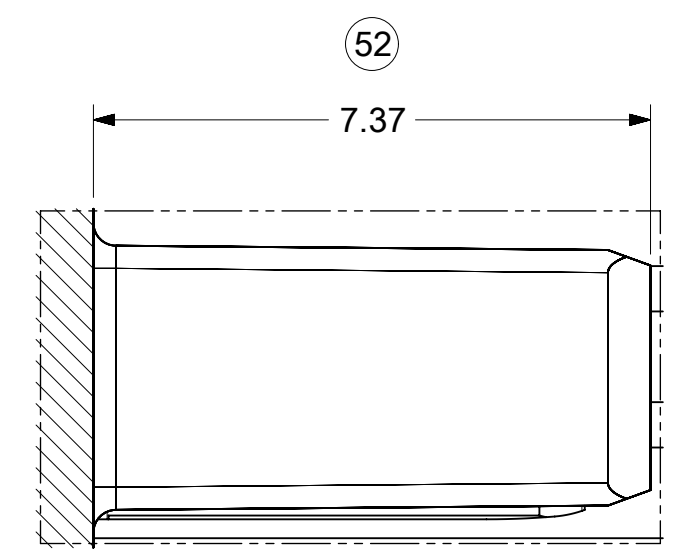
DETAIL 8
SCALE 10:1



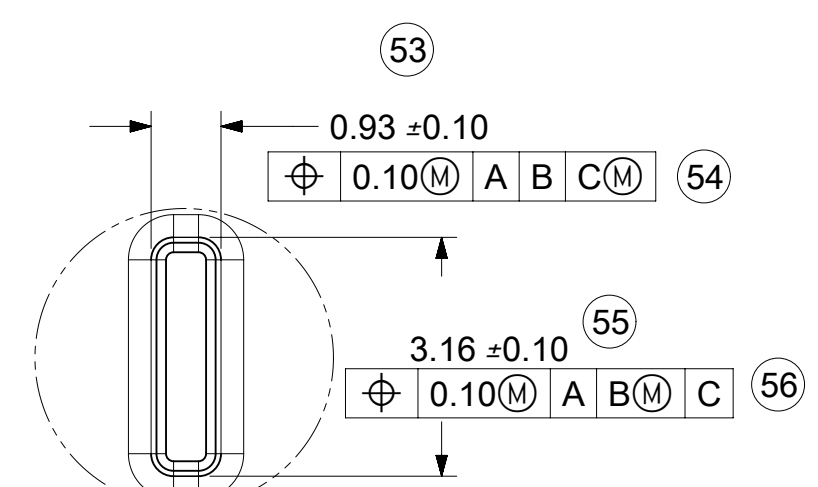
DETAIL 4
SCALE 15:1



DETAIL 6
SCALE 10:1



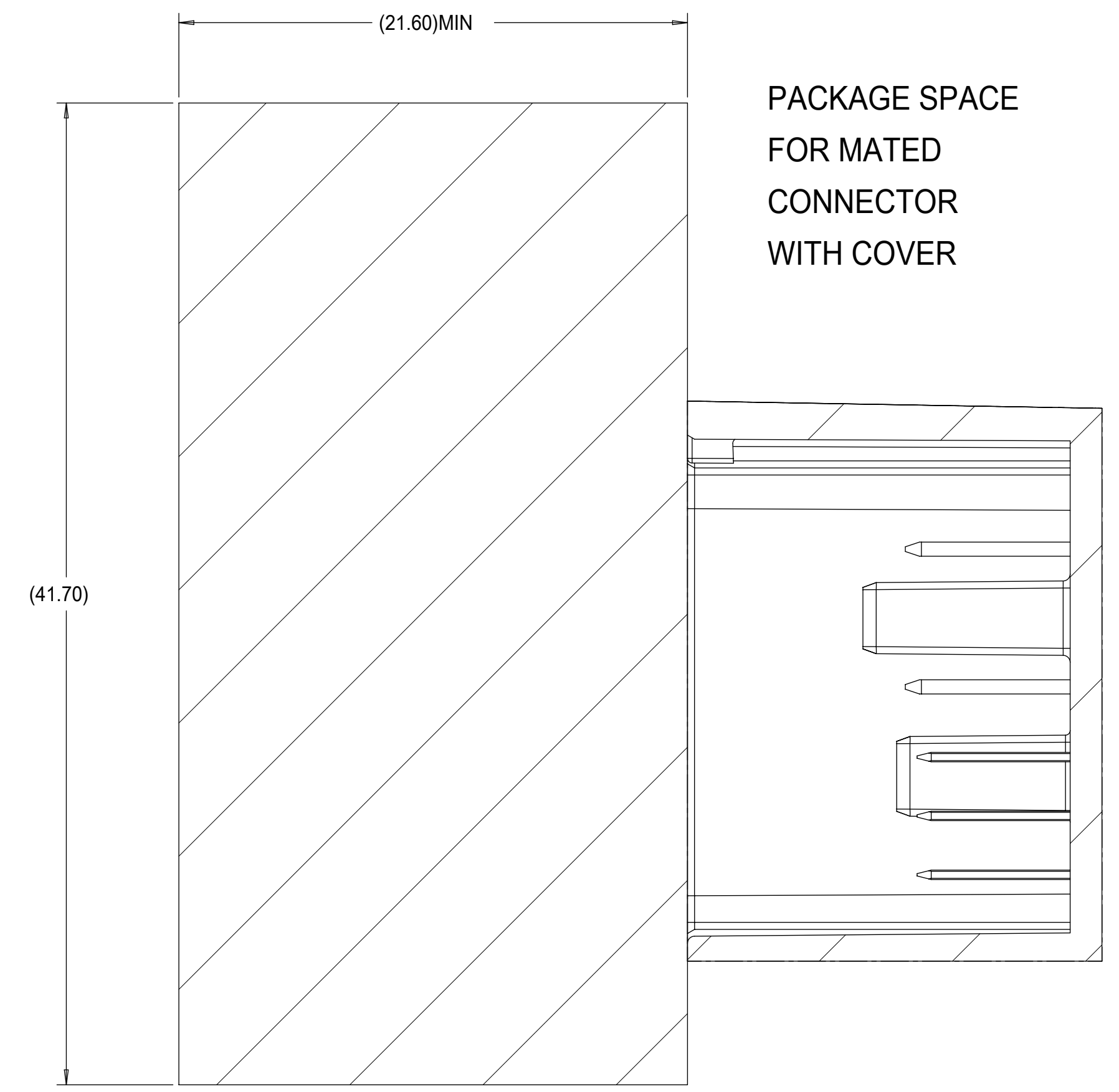
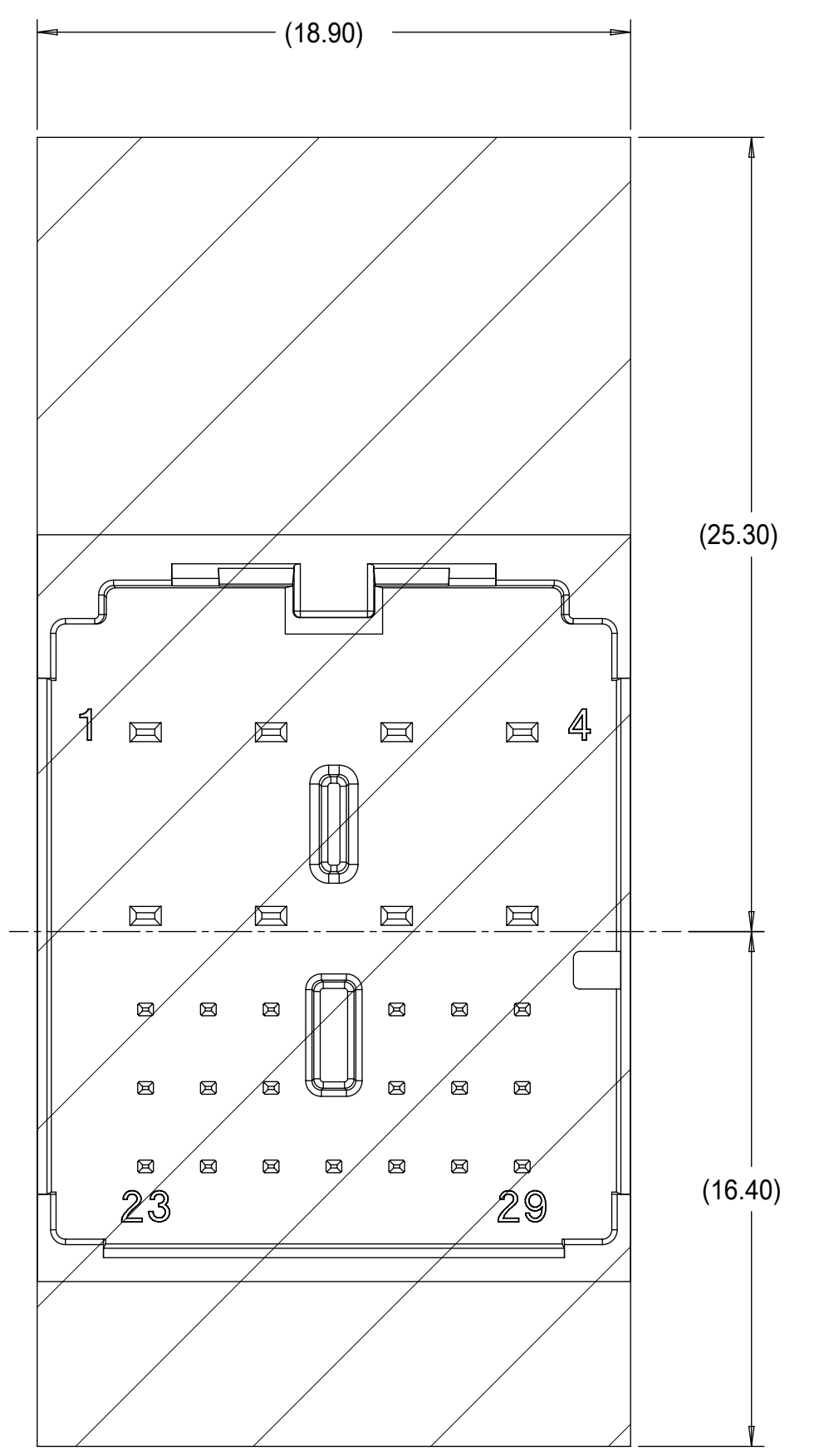
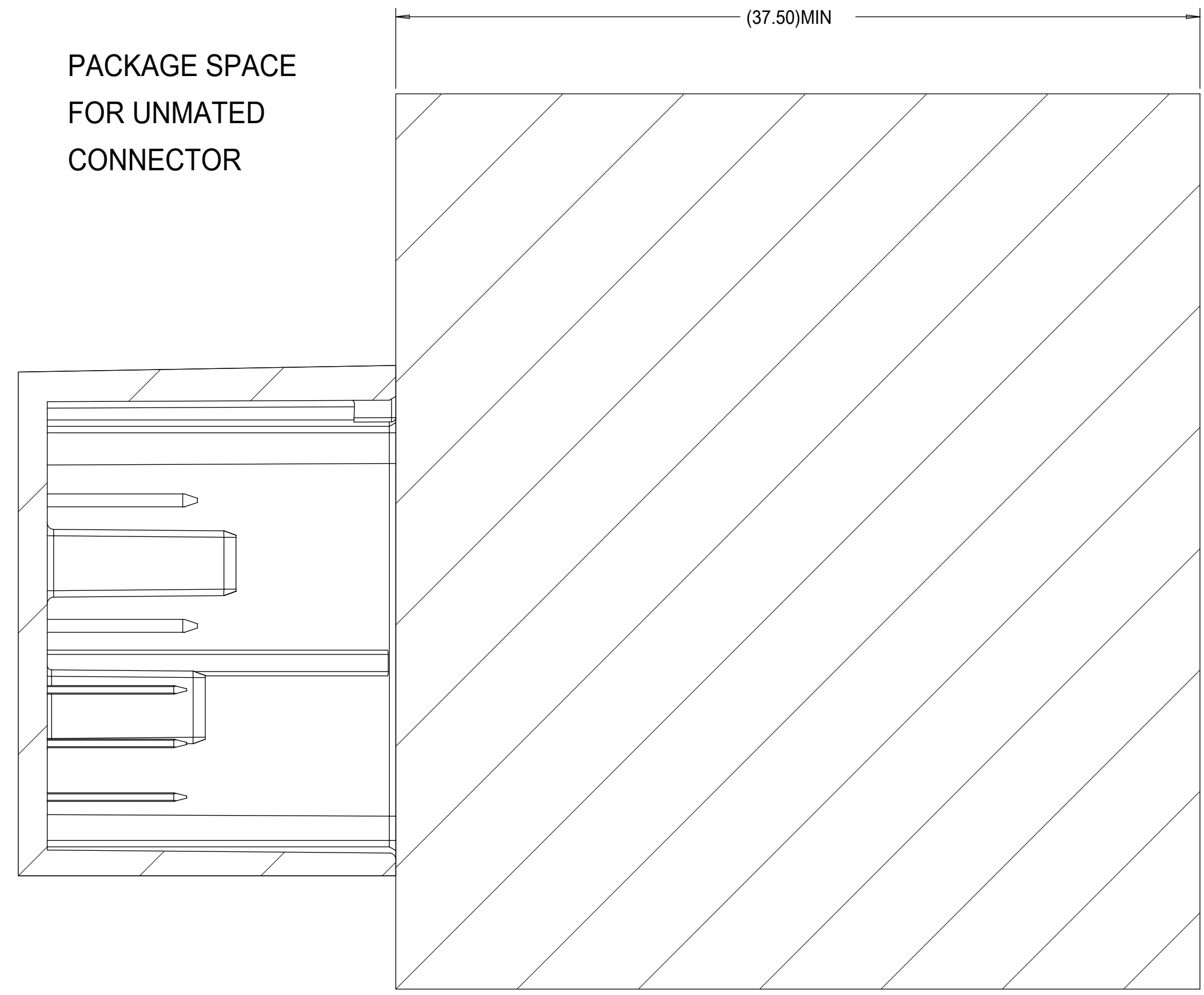
DETAIL 7
SCALE 10:1



DETAIL 5
SCALE 10:1

SYMBOLS	THIS DRAWING CONTAINS INFORMATION THAT IS PROPRIETARY TO MOLEX ELECTRONIC TECHNOLOGIES, LLC AND SHOULD NOT BE USED WITHOUT WRITTEN PERMISSION		CURRENT REV DESC: ADDED DIMENSION	
	DIMENSION UNITS	SCALE	BALLOONS	
▽ = 0	mm	5:1		
▽ = 0	GENERAL TOLERANCES (UNLESS SPECIFIED)			
▽ = 6	ANGULAR TOL ± °			
▽ = 0	4 PLACES ±			
▽ = 0	3 PLACES ±			
▽ = 0	2 PLACES ±			
▽ = 0	1 PLACE ±			
▽ = 0	0 PLACES ±			
■ = 0	DRAFT WHERE APPLICABLE MUST REMAIN WITHIN DIMENSIONS		THIRD ANGLE PROJECTION	DRAWING SERIES
▽ = 0			D-SIZE	160029
EC NO: 602204		DRWN: JCONDON 2018/08/02		
CHK'D: JCONDON 2018/08/03		APPR: MVANSLAMBROU 2018/08/03		
INITIAL REVISION:		DRWN: DAHALL 2013/11/20		
APPR: KDEKOSKI 2014/01/02		SERIES		SD-160029-002
PRODUCT CUSTOMER DRAWING		DOCUMENT NUMBER	DOC TYPE	DOC PART
		PSD	001	B1
GENERAL MARKET		SHEET NUMBER		2 OF 3

PACKAGE SPACE
FOR CONNECTOR



SYMBOLS	THIS DRAWING CONTAINS INFORMATION THAT IS PROPRIETARY TO MOLEX ELECTRONIC TECHNOLOGIES, LLC AND SHOULD NOT BE USED WITHOUT WRITTEN PERMISSION		
	DIMENSION UNITS	SCALE	CURRENT REV DESC: ADDED DIMENSION BALLOONS
$\nabla = 0$	mm	5:1	
$\nabla = 0$	GENERAL TOLERANCES (UNLESS SPECIFIED)		
$\nabla = 0$	ANGULAR TOL \pm °		
$\nabla = 0$	4 PLACES	\pm	EC NO: 602204
$\nabla = 0$	3 PLACES	\pm	DRWN: JCONDON 2018/08/02
$\nabla = 0$	2 PLACES	\pm	CHK'D: JCONDON 2018/08/03
$\nabla = 0$	1 PLACE	\pm	APPR: MVANSLAMBROU 2018/08/03
$\nabla = 0$	0 PLACES	\pm	INITIAL REVISION:
$\nabla = 0$	DRAFT WHERE APPLICABLE MUST REMAIN WITHIN DIMENSIONS		DRWN: DAHALL 2013/11/20
$\nabla = 0$	THIRD ANGLE PROJECTION		APPR: KDEKOSKI 2014/01/02
		DRAWING	SERIES
		D-SIZE	160029
DOCUMENT STATUS		DOCUMENT NUMBER	DOC TYPE
P1	RELEASE DATE	SD-160029-002	PSD
2018/08/03	19:41:35	001	B1
		CUSTOMER	SHEET NUMBER
		GENERAL MARKET	3 OF 3