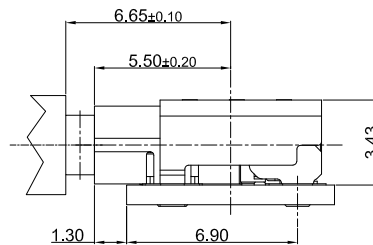
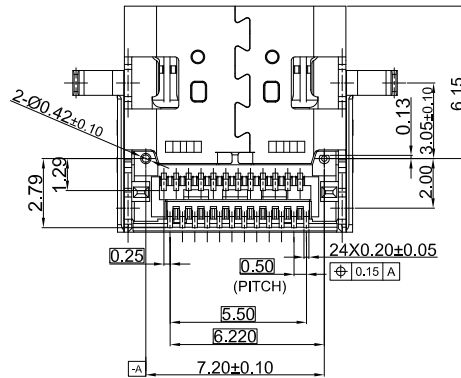
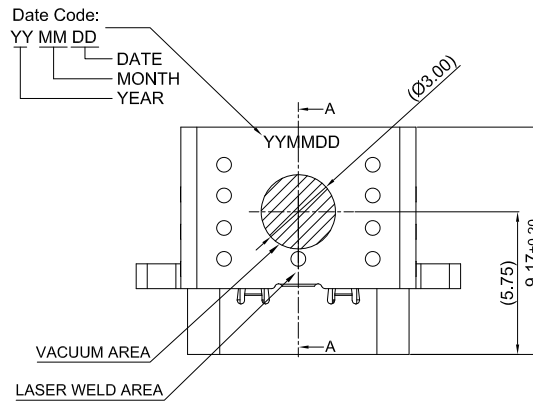


SECTION A-A(剖视图A-A)  
SCALE 2:1 (比例 2:1)

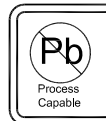


MATED CONDITION(REF.)



Date Code:  
YY MM DD  
DATE  
MONTH  
YEAR

VACUUM AREA  
LASER WELD AREA



Unless otherwise specified, Tolerance:  
X. ±0.30  
X.x ±0.20  
X.xx ±0.15  
X.xxx ±0.10  
Angles ±3°



NOTES

1. GENERAL SPECIFICATION:

1.1 COPLANARITY: 0.10 Max.

1.2 CURRENT RATING: 5A

1.3 CONTACT RESISTANCE: 40mΩ MAX (INITIAL).

INSULATION RESISTANCE:100MΩ Min

1.4 DIELECTRIC WITHSTANDING VOLTAGE: 100 VAC

1.5 MECHANICAL CHARACTERISTICS:

INSERTION FORCE: 5~20N EXTRACTION FORCE: 8~20N

AFTER DURABILITY EXTRACTION FORCE: 6~20N

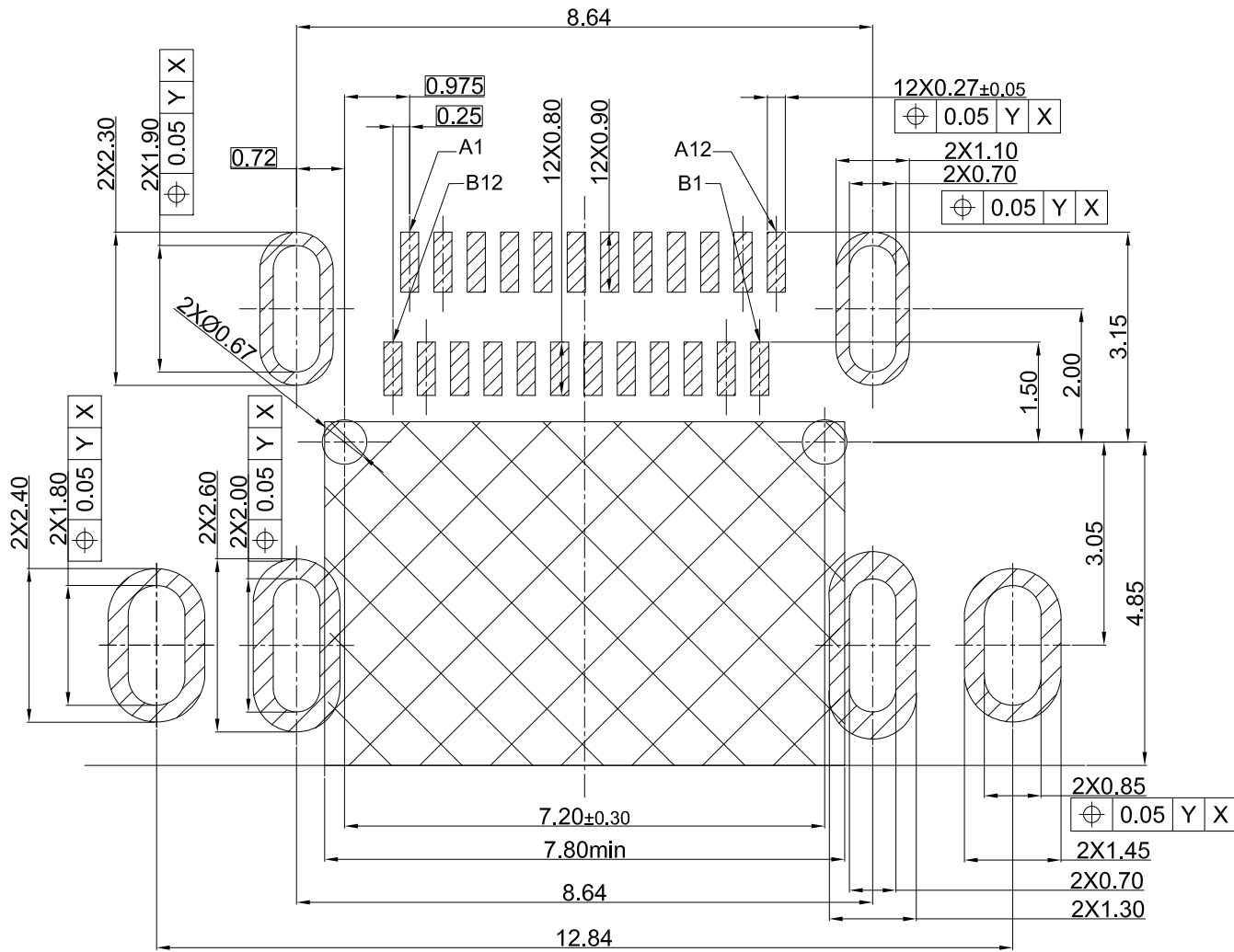
1.6 Durability Cycle:10,000 cycle

1.7 Operating temperature: -40°C~+85°C

A1	A2	A3	A4	A5	A6	A7	A8	A9	A10	A11	A12
GND	TX1+	TX1-	VBUS	CC1	D+	D-	SBU1	VBUS	RX2-	RX2+	GND
GND	RX1+	RX1-	VBUS	SBU2	D-	D+	CC2	VBUS	TX2-	TX2+	GND
B12	B11	B10	B9	B8	B7	B6	B5	B4	B3	B2	B1
6	OUT SHELL	1	SUS304	NICKEL PLATING				0.25mm			
5	INT SHELL	1	SUS304	NICKEL PLATING				0.3mm			
4	MAIN HOUSING	1	PAST HF 30%碳纤维, UL94 V-0, 黑色	-				COLOR:BLACK			
3	MID PLATE	1	SUS301	-				0.15mm			
2	BOTTOM TERMINAL	1	C18140	-				0.12mm			
1	TOP TERMINAL	1	C18140	-				MATING SIDE:SEE PART NO: SOLDER TAIL:GOLD FLASH, 30μ" NICKEL OVERALL. 0.12mm			
ITEM	DESCRIPTION	QTY	MATERIAL	FINISH				REMARK			

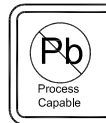
G-Switch Electronic (HongKong) CO.,Ltd.

DESIGN Li Qingqi	DATE 2022.04.23	Molde code:	
CHECKED	DATE	GT-USB-7088B	
APPROVED	DATE		
http://www.dg-switch.com		REV.: X1	SCALE: 4:1
TEL:0769-82388879		UNIT: mm	
		SIZE: A4	SHEET: 1/1



Recommended PCB Layout(Top View)/推荐的PCB布局(前视图)

General Tolerances:±0.05/一般公差:±0.05

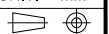


**G-Switch Electronic (HongKong) CO.,Ltd.**

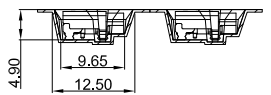
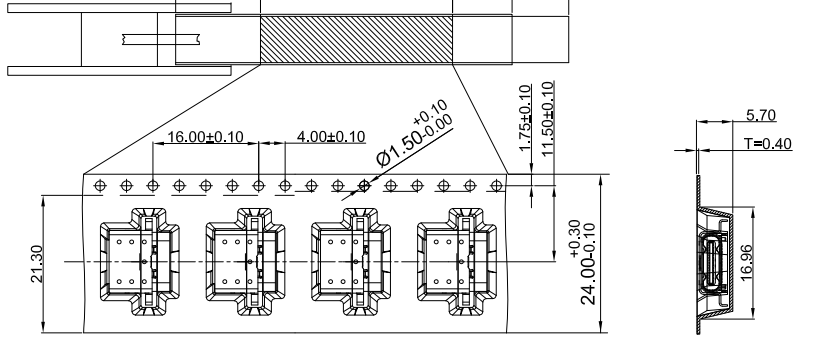
Unless otherwise specified, Tolerance:  
 X. ±0.30  
 X.x ±0.20  
 X.xx ±0.15  
 X.xxx ±0.10  
 Angles ±3°

DESIGN Li Qingqi DATE 2022.04.23  
 CHECKED DATE  
 APPROVED DATE  
<http://www.dg-switch.com>  
 TEL:0769-82388879

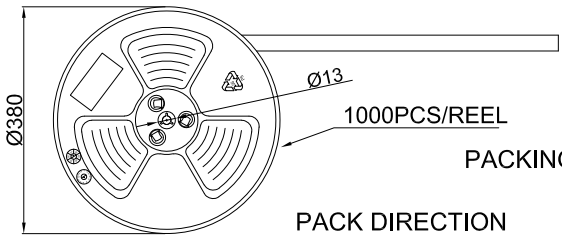
Molde code:  
 GT-USB-7088B  
 REV.: X1 SCALE: 4:1 UNIT: mm  
 SIZE: A4 SHEET: 1/1



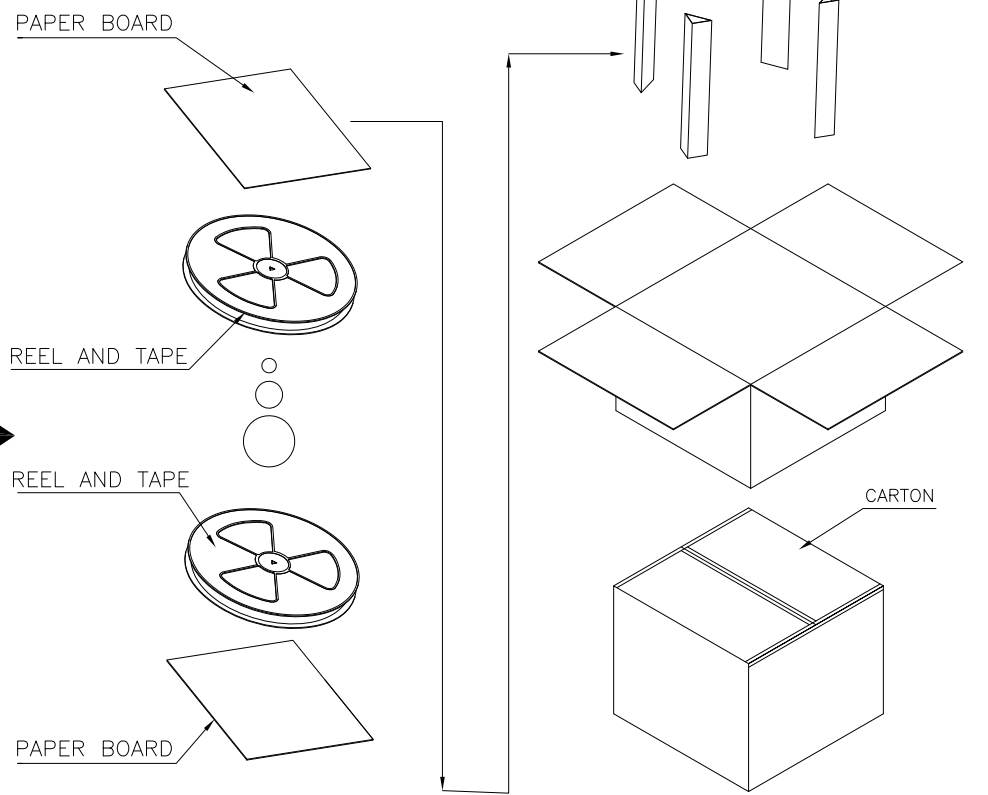
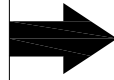
20PCS EMPTY      1000PCS PRODUCTS      BEGINING PORTION 400mm MIN  
20PCS EMPTY



CUSTOMER UNWINDING DIRECTION



PACKING: 1. 1000 PCS/REEL.  
2. 10 REEL/Carton



**b-Switch** 品贊科技® **G-Switch Electronic (HongKong) CO.,Ltd.**

Unless otherwise specified, Tolerance: X.                    ±0.30 X.x                  ±0.20 X.xx                ±0.15 X.xxx              ±0.10 Angles            ±3°	DESIGN Li Qingqi	DATE 2022.04.23	Molde code:	
	CHECKED	DATE	GT-USB-7088B	
	APPROVED	DATE	REV.: X1	SCALE: 4:1
	<a href="http://www.dg-switch.com">http://www.dg-switch.com</a>		UNIT: mm	
	TEL:0769-82388879		SIZE: A4	SHEET: 1/1