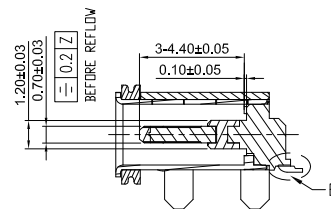
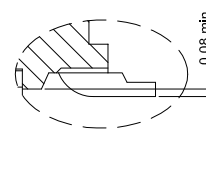


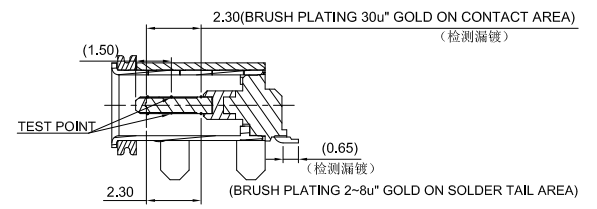
SECTION B-B(SC 1:1)



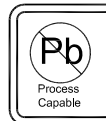
SECTION A-A(SC 1:1)



DETAIL E(SC 4:1)



SECTION A-A(SC 1:1)



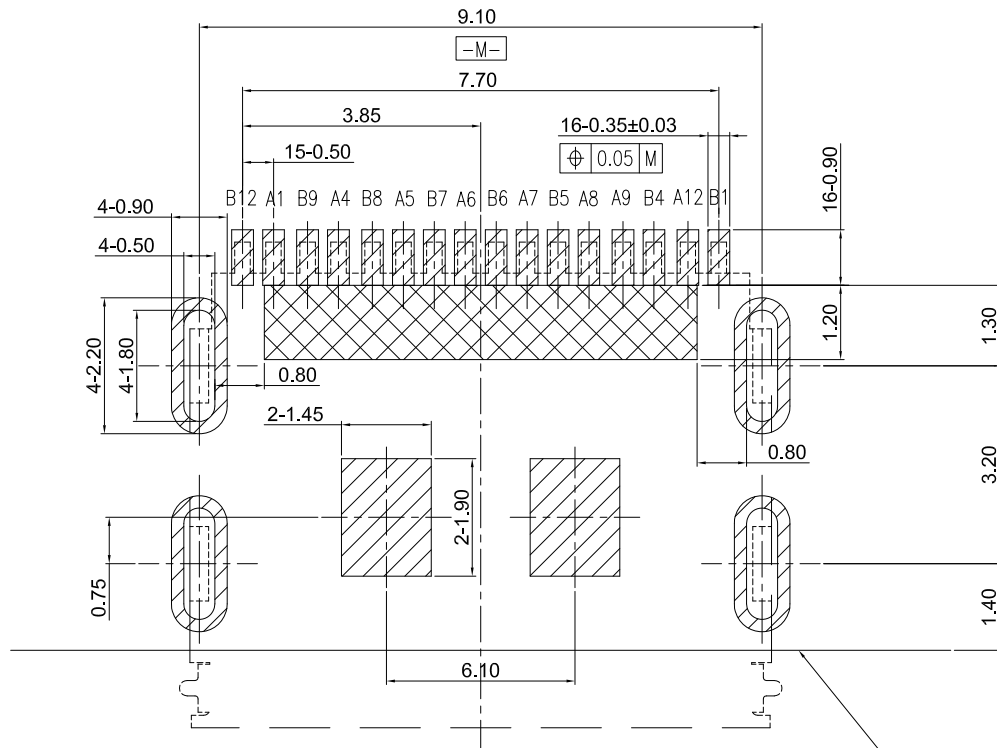
G-Switch Electronic (HongKong) CO.,Ltd.

Unless otherwise specified, Tolerance:
 X. ±0.30
 X.x ±0.20
 X.xx ±0.15
 X.xxx ±0.10
 Angles ±3°

DESIGN Li Qingqi DATE 2022.04.07
 CHECKED DATE
 APPROVED DATE
<http://www.dg-switch.com>
 TEL:0769-82388879

Molde code:
GT-USB-7079B
 REV.: X1 SCALE: 4:1 UNIT: mm
 SIZE: A4 SHEET: 1/1



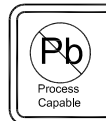


PCB OUTLINE

(SC 2:1)

RECOMMENDED PCB LAYOUT (THICKNESS: 0.80MM)
UNLESS STATED TOLERANCE: ±0.05 (FOR REFERENCE)

- 焊盘区域
- 禁布区域
- 产品轮廓



Unless otherwise specified, Tolerance:
 X. ±0.30
 X.x ±0.20
 X.xx ±0.15
 X.xxx ±0.10
 Angles ±3°

DESIGN Li Qingqi DATE 2022.04.07
 CHECKED DATE
 APPROVED DATE
<http://www.dg-switch.com>
 TEL: 0769-82388879

Molde code:
 GT-USB-7079B
 REV.: X1 SCALE: 4:1 UNIT: mm
 SIZE: A4 SHEET: 1/1

NOTES 1:

- 1.材料: SEE TABLE A
- 2.处理: SEE TABLE A
- 3.成品功能要求面不可有端子压伤及塑胶毛边
- 4.塑胶顶出强度5 kgf Min.
- 5.上下铁壳焊接后剥离强度40kgf Min.
- 6.插入力: 5-20N;
拔出力8-20N(1-1000次), 6-20N(1001-10000次)
- 7.成品端子平面度必须100%检测。
- 8.成品可靠性测试要求参照规格书。

TABLE A

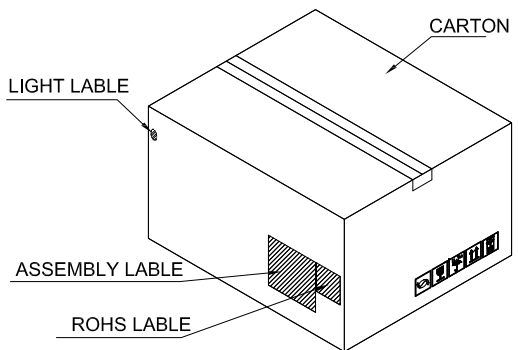
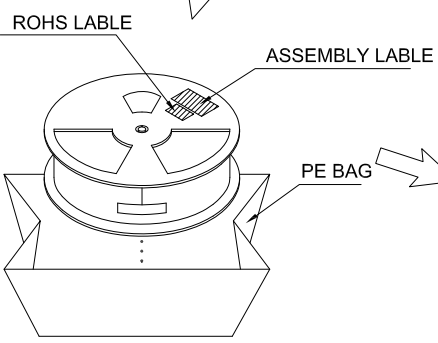
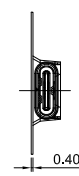
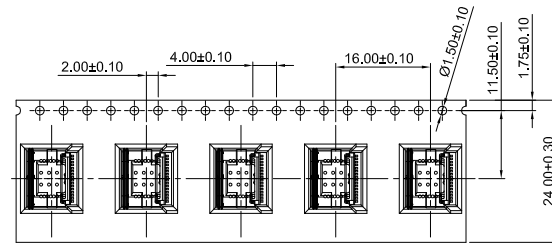
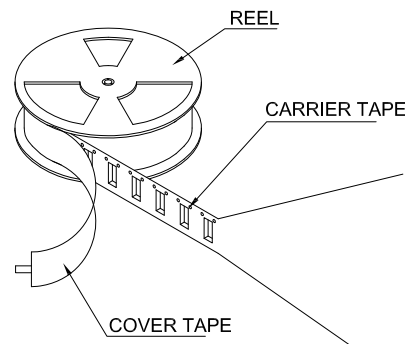
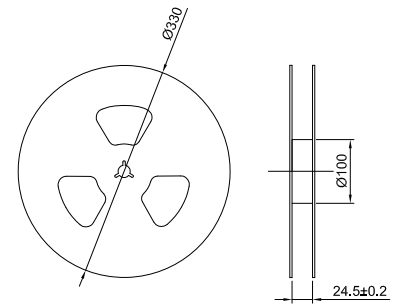
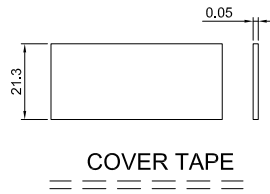
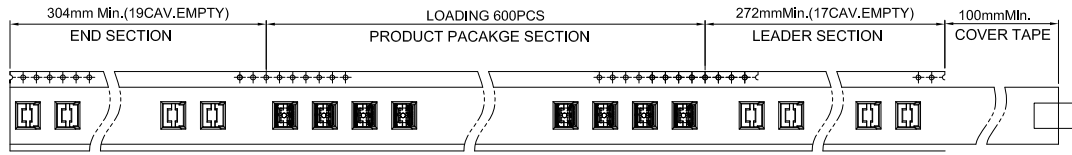
| NO | PARTS NAME | QTY | MATERIAL | FINISH |
|----|-------------|------|-----------------------------------|---|
| 7 | O-RING | 1PCS | RBB-2420-40+RBB-2420-70+TSE221-4U | COLOR:RED |
| 6 | OUT_SHELL | 1PCS | SUS301-H T0.30 | 50u*Min,NICKEL |
| 5 | INNER_SHELL | 1PCS | SUS301-1/2H T0.20 | SOLDER AREA:1u-3u*Au PLATING |
| 4 | MID PLATE | 1PCS | SUS301-H T0.20 | NO PLATING |
| 3 | CONTACT 2 | 1SET | C18150-R540 T0.25 | Ni 50u*Min CONTACT AREA:30u*Au BRUSH PLATING |
| 2 | CONTACT 1 | 1SET | C18150-R540 T0.25 | SOLDER AREA:2-8u*Au BRUSH PLATING |
| 1 | HOUSING | 1PCS | PA10T R7020NH,UL 94V-0 | COLOR:ASHEN |

PIN DEFINITION:

| A1 | A2 | A3 | A4 | A5 | A6 | A7 | A8 | A9 | A10 | A11 | A12 |
|-----|-----|-----|------|------|----|----|------|------|-----|-----|-----|
| GND | | | VBUS | CC1 | D+ | D- | SBU1 | VBUS | | | GND |
| GND | | | VBUS | SBU2 | D- | D+ | CC2 | VBUS | | | GND |
| B12 | B11 | B10 | B9 | B8 | B7 | B6 | B5 | B4 | B3 | B2 | B1 |

G-Switch Electronic (HongKong) CO.,Ltd.

5



- NOTES 2:**
- MATERIAL:**
 - 1.1 REEL AND AXLE: PS, BLUE
 - 1.2 CARRIER TAPE: 0.40T PS, TRANSPARENT
 - 1.3 COVER TAPE: 0.05T PS, TRANSPARENT
 - 1.4 SHIPPING CARTON: CORRUGATED FIBER
 - DIMENSION:**
 - 2.1 REEL: W=24.5, A=330
 - 2.2 CARRIER TAPE: T=0.40 W=24.0
 - 2.3 COVER TAPE: T=0.05 W=21.3
 - 2.4 SHIPPING CARTON: L=343mm, W=343mm, H=200mm
 - QUANTITY**
 - 3.1 PRIMARY PACKING: 600PCS/REEL
 - 3.2 SECONDARY PACKING: 6 REELS/CARTON (3600PCS/CARTON)
 - COVER TAPE PEELING FORCE: 0.01~0.13 KG**
 - 4.1 PEELING SPEED: 300mm/minutes
 - 4.2 PEELING ANGLE: 165°~180°



G-Switch Electronic (HongKong) CO.,Ltd.

| | | |
|--|--|---|
| Unless otherwise specified, Tolerance: X. ±0.30 X.x ±0.20 X.xx ±0.15 X.xxx ±0.10 Angles ±3° | DESIGN Li Qingqi DATE 2022.04.07 CHECKED DATE APPROVED DATE http://www.dg-switch.com TEL:0769-82388879 | Molde code: <p style="text-align: center; font-weight: bold;">GT-USB-7079B</p> REV.: X1 SCALE: 4:1 UNIT: mm SIZE: A4 SHEET: 1/1 |
|--|--|---|