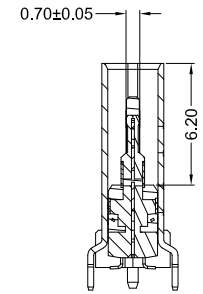
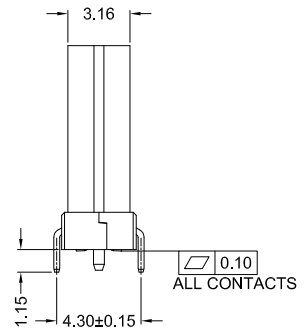
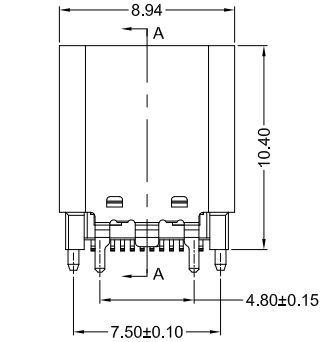
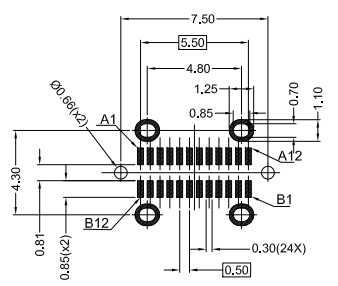
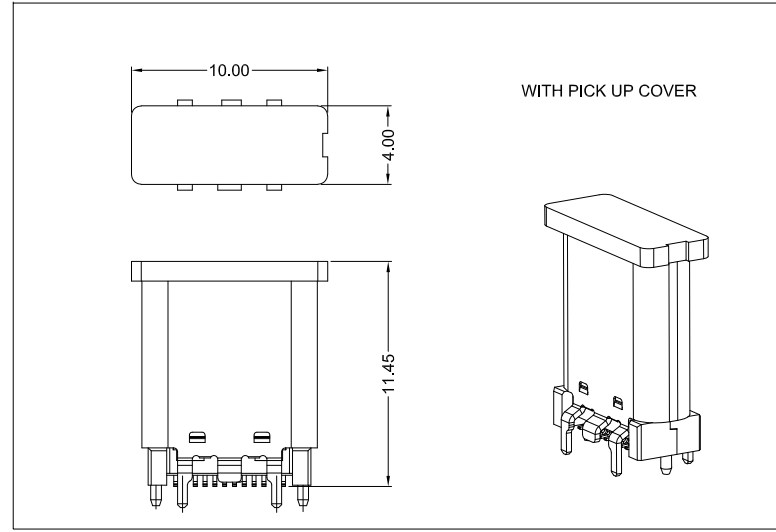
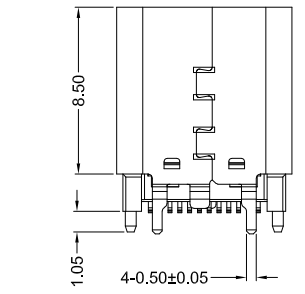


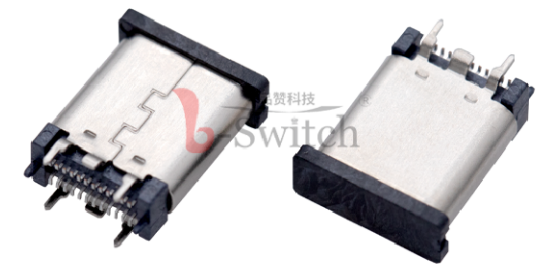
AFTER MATING



SECTION A-A



RECOMMENDED PCB LAYOUT(TOP VIEW)
THICKNESS 1.5±0.10MM;DEFAULT TOLERANCE:±0.05



- NOTE:
- MECHANICAL PERFORMANCE:
 - INSERTION FORCE: 5~20N.
 - REMOVAL FORCE: 8~20N,6~20N AFTER TEST;
 - DURABILITY: 10000 CYCLES.
 - ELECTRICAL PERFORMANCE:
 - CURRENT RATING:5.0A
VOLTAGE RATING:5.0V
 - LLCR:
 - VBUS & GND PINS AND OTHER PINS: 40mΩ/PIN MAX.
SHIELD: 50mΩ/MAX.
LLCR MAX. CHANGE OF ALL PINS: 10mΩ.
 - INSULATION RESISTANCE: 100MΩ MIN
 - DIELECTRIC WITHSTAND VOLTAGE,AC 100V FOR 1 MINUTE.
 - ENVIRONMENTAL PERFORMANCE:
 - OPERATING TEMPERATURE: -45°C~+85°C.
 - IR REFLOW:
 - THE PEAK TEMPERATURE ON THE BOARD SHALL BE MAINTAINED FOR 10 SECONDS AT 260°C.

| | | | | | | | | | | | |
|-----|------|------|------|------|----|----|------|------|------|------|-----|
| A1 | A2 | A3 | A4 | A5 | A6 | A7 | A8 | A9 | A10 | A11 | A12 |
| GND | TX1+ | TX1- | VBUS | CC1 | D+ | D- | SBU1 | VBUS | RX2- | RX2+ | GND |
| GND | RX1+ | RX1- | VBUS | SBU2 | D- | D+ | CC2 | VBUS | TX2- | TX2+ | GND |
| B12 | B11 | B10 | B9 | B8 | B7 | B6 | B5 | B4 | B3 | B2 | B1 |

| Item | Title | Material | Dispose | Remark |
|------|----------------|---|------------------------|--------|
| 1 | Shell | Stainless Steel | Ni:30u" Min. | |
| 2 | GND Plate | Stainless Steel | Clear Only | |
| 3 | Mid Plate | Stainless Steel | Clear Only | |
| 4 | Top Contact | Copper Alloy | Mating Area: See P/N | |
| 5 | Bottom Contact | Copper Alloy | Solder Tails: Matt Tin | |
| 6 | Insulator | High Temperature Plastic | UL 94V-0 | Black |
| 7 | HOUSING | HIGH TEMPERATURE RESISTANT PLASTIC(LCP),UL94 V-0. | | |
| 8 | CONTACTS | COPPER ALLOY(C18150)T=0.12mm | | |
| 9 | MID PLATE | STAINLESS STEEL(SUS301)T=0.15mm | | |
| 10 | EMI PLATE | STAINLESS STEEL(SUS301)T=0.10mm | | |
| 11 | SHELL | STAINLESS STEEL(SUS304)T=0.30mm | | |



G-Switch Electronic (HongKong) CO.,Ltd.

| | | | |
|--|---|---------------------------------|---|
| Unless otherwise specified, Tolerance: X. ±0.30 X.x ±0.20 X.xx ±0.15 X.xxx ±0.10 Angles ±3° | DESIGN Li Qingqi CHECKED DATE APPROVED DATE | DATE 2022.04.21 DATE DATE | Molde code: GT-USB-7019D REV.: X1 SCALE: 4:1 UNIT: mm SIZE: A4 SHEET: 1/1 |
| http://www.dg-switch.com TEL:0769-82388879 | | | |