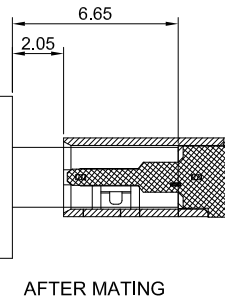
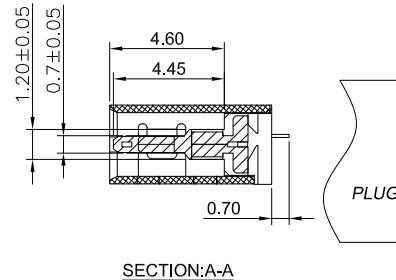
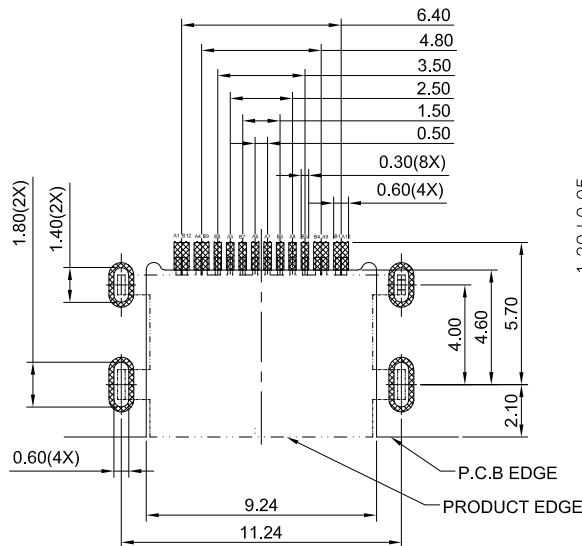


**NOTE:**

1. MECHANICAL PERFORMANCE:
  - 1-1. INSERTION FORCE: 0.5~2.0kgf.
  - 1-2. REMOVAL FORCE: 0.8kgf~2.0kgf.
  - 1-3. DURABILITY: 10000 CYCLES.
2. ELECTRICAL PERFORMANCE:
  - 2-1. CURRENT RATING: 3.0A  
VOLTAGE RATING: 5.0V
  - 2-2. LLCR:
    - VBUS & GND PINS AND OTHER PINS: 40mΩ/PIN MAX.
    - SHIELD: 50mΩ/MAX.
    - LLCR MAX. CHANGE OF ALL PINS: 10mΩ.
  - 2-3. INSULATION RESISTANCE: 100MΩ MIN
  - 2-4. DIELECTRIC WITHSTAND VOLTAGE, AC 100V FOR 1 MINUTE.
3. ENVIRONMENTAL PERFORMANCE:
  - OPERATING TEMPERATURE: -45°C~+85°C.
4. IR REFLOW:
  - THE PEAK TEMPERATURE ON THE BOARD SHALL BE MAINTAINED FOR 10 SECONDS AT 260°C.



|     |      |      |      |      |    |    |      |      |      |      |     |
|-----|------|------|------|------|----|----|------|------|------|------|-----|
| A1  | A2   | A3   | A4   | A5   | A6 | A7 | A8   | A9   | A10  | A11  | A12 |
| GND | TX1+ | TX1- | VBUS | CC1  | D+ | D- | SBU1 | VBUS | RX2- | RX2+ | GND |
| GND | RX1+ | RX1- | VBUS | SBU2 | D- | D+ | CC2  | VBUS | TX2- | TX2+ | GND |
| B12 | B11  | B10  | B9   | B8   | B7 | B6 | B5   | B4   | B3   | B2   | B1  |

| NO | PARTS       | MATERIAL SCIENCE                              |
|----|-------------|---|
| 1  | HOUSING     | HIGH TEMPERATURE RESISTANT PLASTIC, UL94 V-0. |
| 2  | CONTACTS    | COPPER ALLOY                                  |
| 3  | MID PLATE   | STAINLESS STEEL                               |
| 4  | FRONT SHELL | STAINLESS STEEL                               |

RECOMMENDED PCB LAYOUT(TOP VIEW)  
THICKNESS 0.80MM; DEFAULT TOLERANCE: ±0.05



**G-Switch Electronic (HongKong) CO., Ltd.**

Unless otherwise specified, Tolerance:  
 X. ±0.30  
 X.x ±0.20  
 X.xx ±0.15  
 X.xxx ±0.10  
 Angles ±3°

DESIGN LI QInqI DATE 2022.04.27  
 CHECKED DATE  
 APPROVED DATE  
<http://www.dg-switch.com>  
 TEL: 0769-82388879

Molde code:  
**GT-USB-7014F**  
 REV.: X1 SCALE: 4:1 UNIT: mm  
 SIZE: A4 SHEET: 1/1