

Note

specification:

- 1.1 rated current: 5.0 A
- 1.2 voltage rating: 5V AC
- 1.3 contact resistance: 40 m Ω max
- 1.4 insulation resistance: 100M Ω min
- 1.5 withstanding voltage: 100 VAC / minute
- 1.6 mating force: 5 ~ 20n
- 1.7 unmating force: 8 ~ 20n
- 1.8 durability cycle: 10000 cycles
- 1.9 operating temperature: - 40 ° ~ + 85

A1	A2	A3	A4	A5	A6	A7	A8	A9	A10	A11	A12
GND	TX1+	TX1-	VBUS	CC1	D+	D-	SBU1	VBUS	RX2-	RX2+	GND
GND	RX1+	RX1-	VBUS	SBU2	D-	D+	CC2	VBUS	TX2-	TX2+	GND
B12	B11	B10	B9	B8	B7	B6	B5	B4	B3	B2	B1
4	TERMINAL	24	C18140	MATING SIDE:SEE PART NO: SOLDER TAIL:60% FLASH, 50% NICKEL OVERALL							T=0.12
3	SHELL	1	SUS304	NICKEL PLATING							T=0.30
2	MID PLATE	1	SUS301	NICKEL PLATING							T=0.15
1	MAIN HOUSING	1	PAST HF 30% 磷, UL94 V-0, 黑色								BLACK UL94V-0
ITEM	DESCRIPTION	QTY	MATERIAL	FINISH				REMARK			

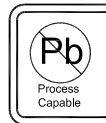
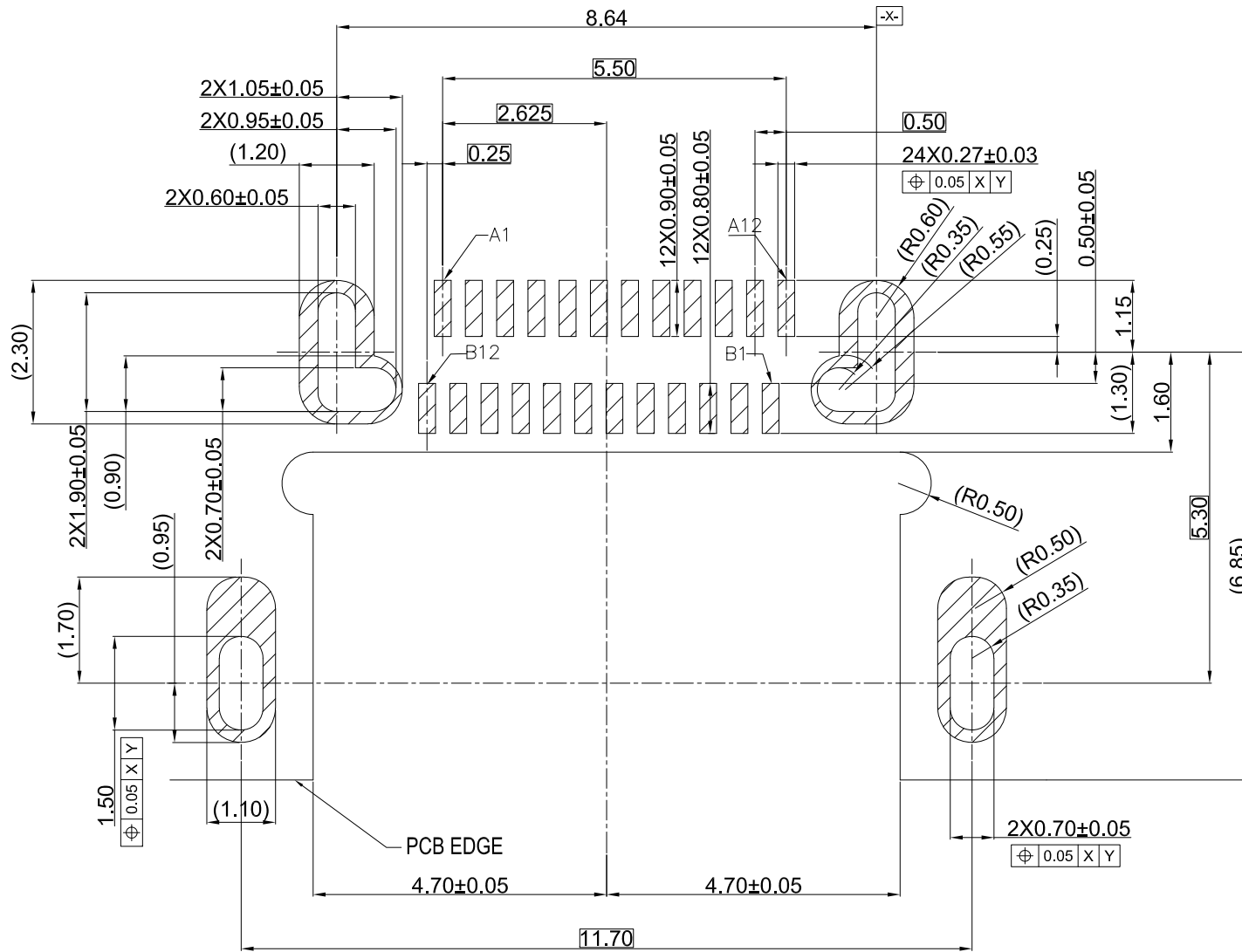
BILL OF MATERIAL

G-Switch Electronic (HongKong) CO.,Ltd.



Unless otherwise specified, Tolerance:
 X. ±0.30
 X.x ±0.20
 X.xx ±0.15
 X.xxx ±0.10
 Angles ±3°

DESIGN Li Qingqi	DATE 2022.04.21	Molde code:
CHECKED	DATE	GT-USB-7007D
APPROVED	DATE	
http://www.dg-switch.com		REV.: X1
TEL:0769-82388879	SCALE: 4:1	UNIT: mm
	SHEET: 1/1	



G-Switch Electronic (HongKong) CO.,Ltd.

Unless otherwise specified, Tolerance:

X. ±0.30
 X.x ±0.20
 X.xx ±0.15
 X.xxx ±0.10
 Angles ±3°

DESIGN Li Qingqi

DATE 2022.04.21

Molde code:

CHECKED

DATE

GT-USB-7007D

APPROVED

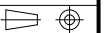
DATE

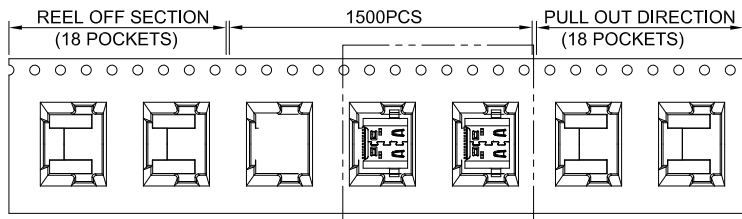
<http://www.dg-switch.com>

REV.: X1 SCALE: 4:1 UNIT: mm

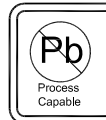
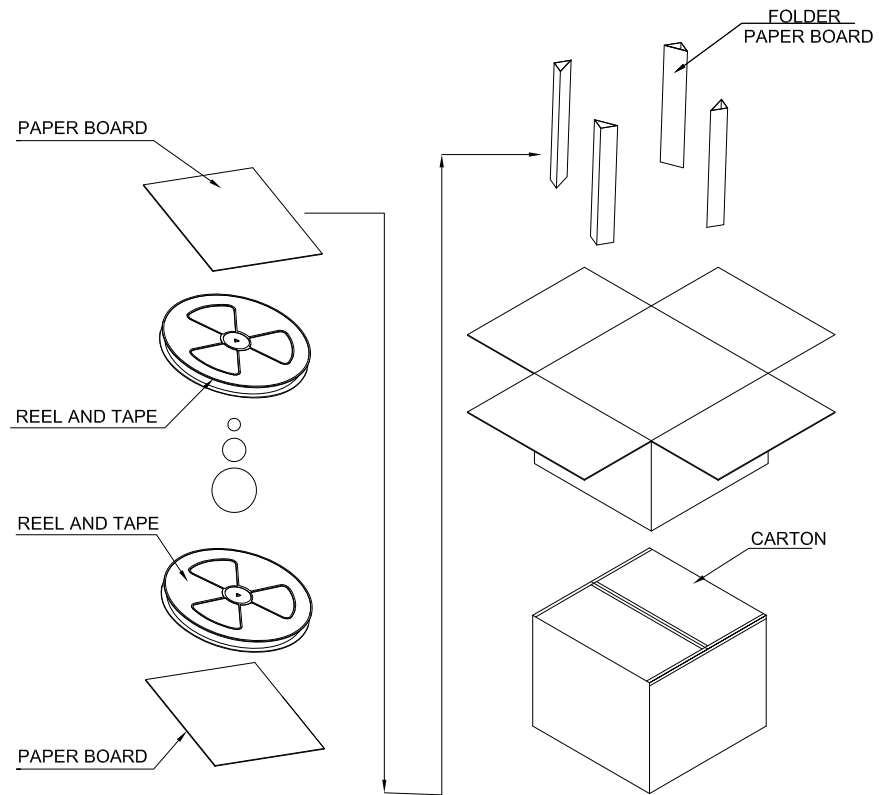
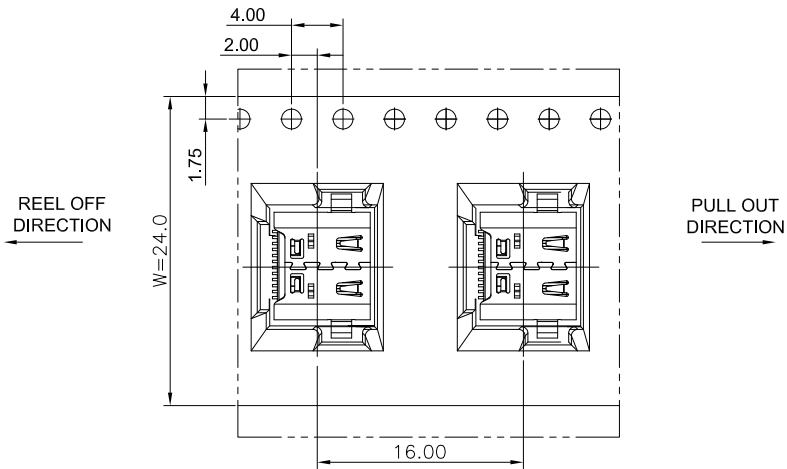
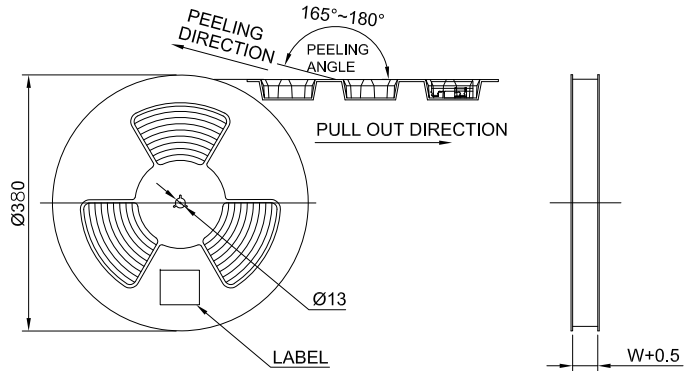
TEL:0769-82388879

SIZE: A4 SHEET: 1/1





SEE DETAIL X



G-Switch Electronic (HongKong) CO.,Ltd.

Unless otherwise specified, Tolerance:

X.	±0.30
X.x	±0.20
X.xx	±0.15
X.xxx	±0.10
Angles	±3°

DESIGN Li Qingqi

DATE 2022.04.21

Molde code:

CHECKED

DATE

GT-USB-7007D

APPROVED

DATE

<http://www.dg-switch.com>

REV.: X1

SCALE: 4:1

UNIT: mm

TEL:0769-82388879

SIZE: A4

SHEET: 1/1

