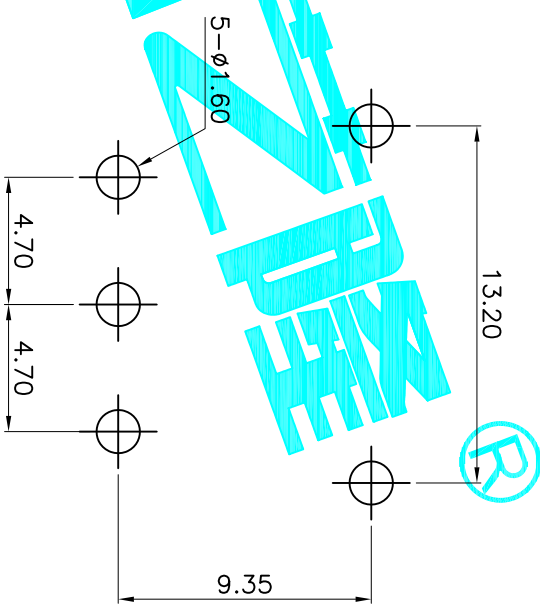
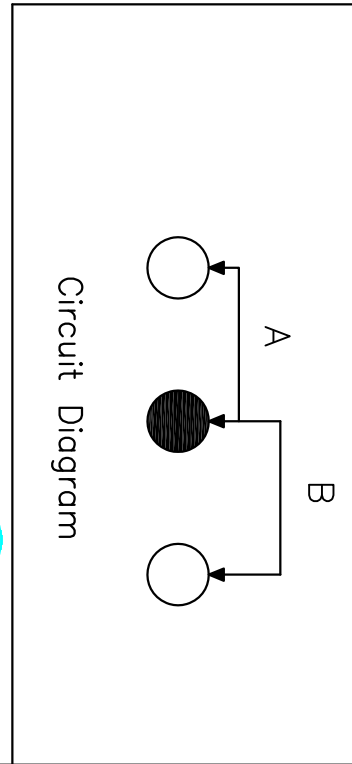
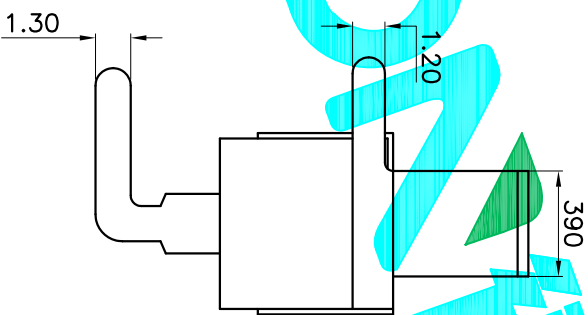


X	
PART NO	vigor
2	G2
3	G3
4	G4
5	G5
6	G6
7	G7
8	G8



ITEM	PART NAME	QTY.	MATERIAL	FINISHING
⑦	Contact	1	PA9T	Black
⑥	Spring	1	Steel Wire	Natural
⑤	Contact	1	Phosphor Bronze	Ag Plated
④	Terminal	3	Copper Strip	Ag Plated
③	Case	1	PA9T	Natural
②	Cover	1	SUS	Natural
①	Knob	1	PA9T	Black

APPROVALS		DATE	PART NO.		SCALE: 1:1	SHEET 1 OF 1
DRAWN	G.M.Chen	2015/6/26	SS-12D11-GX		PROJ.	
CHECKED			SLIDE SWITCHES			
APPROVALS			ELECTRONICS CO.,LTD			
TOLERANCES ARE		30 ^{±0.15}	±0.30	ANGLE	UNIT: mm	
		10 ^{±0.10}	±0.20			
		5 ^{±0.05}	±0.15			
ECN NO.	REV.	DATE.	DESCRIPTION.			
	A		NEW			