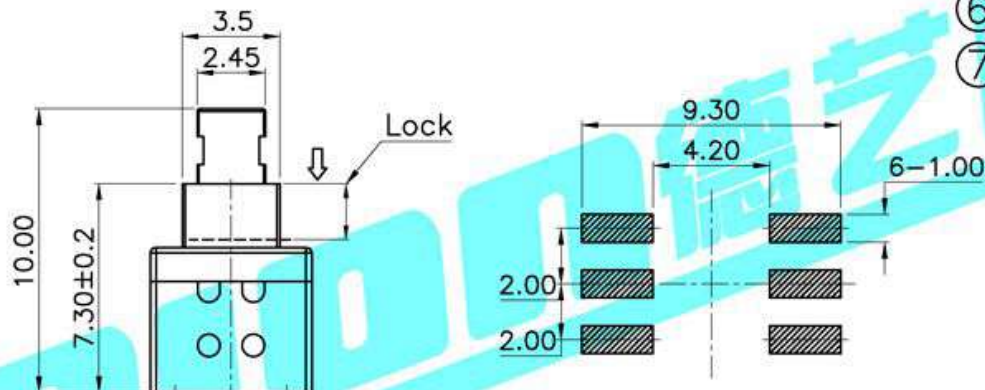
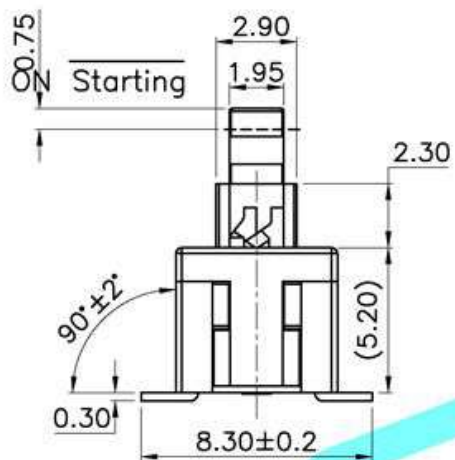
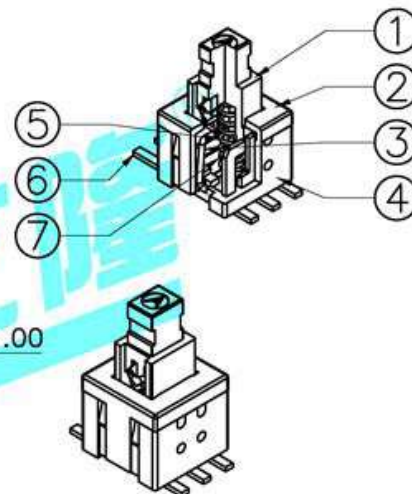


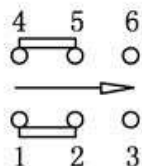
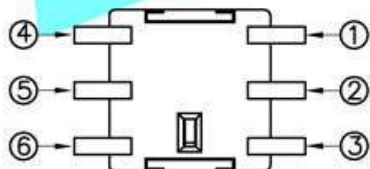
NOTE:
1. Operating Force: 180gf±50gf



PCB Layout(Pattern Side)



NO.	Operating Type	Part No.
1	Push To Lock	PB-22E62-L
2	Push No Lock	PB-22E62-N
3	Push No Sound No Lock	PB-22E62-S



Circuit Diagram

ITEM	PART NAME	QTY.	MATERIAL	FINISHING
⑦	Contact	2	Phosphor bronze	Plating silver
⑥	Terminal	6	Brass strip	Plating silver
⑤	Spring	1	SUS	Natural
④	Base	1	Nylon	Gray
③	Crochet Needle	1	SUS	Natural
②	Cover	1	POM	Black
①	KNOB	1	POM	White

APPROVALS		DATE	DERION 德之盾 ELECTRONICS CO.,LTD	
DRAWN	G.M.Chen	2015/4/16	TITLE:	PUSH SWITCH
CHECKED			PART NO.	PB-22E62-X
APPROVALS			UNIT: mm	SCALE: 1:1
TOLERANCES ARE		30~以下 ±0.30	ANGLE	SHEET 1 OF 1
		10~30 ±0.20	±2'	DRAWING NO.
		5~10 ±0.15		PROJ: ①
		~ 5 ±0.10		

ECN NO.	REV.	DATE.	DESCRIPTION.	CHANGE.	CHECK.	APPRO.
	A		NEW			