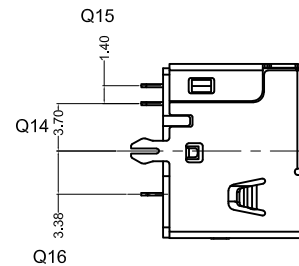
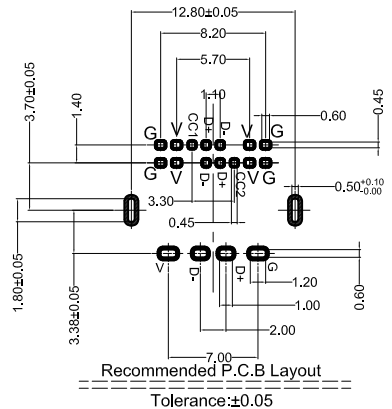


Notes:

1. Mechanical properties:
  - 1.1 insertion force: 5 ~ 20n
  - 1.2 pull out force: 5 ~ 20n
  - 1.3 durability life: 1000 cycles
2. Electrical performance:
  - 2.1 rated current: 5A max
  - 2.2 rated voltage: 30V max
  - 2.3 withstand voltage: 100V AC
  - 2.4 contact impedance: 40m Ω max (initial), 50m Ω max (after 5000 tests)
  - 2.5 insulation impedance: 100M Ω min
3. Ambient temperature:
  - 3.1 temperature range: -40 °C to +85 °C
  - 3.2 salt spray: 24h
4. Dimension mark:

The dimension marked with is FAI  
 Dimensions marked with are key inspection dimensions  
 The dimensions marked with are CPK inspection dimension

A1	A2	A3	A4	A5	A6	A7	A8	A9	A10	A11	A12
GND			VBUS	CC1	D+	D-		VBUS			GND
GND			VBUS				VCONN	VBUS			GND
B12	B11	B10	B9	B8	B7	B6	B5	B4	B3	B2	B1
⑦	TYPE C Moding	LCP+306F	BLACK	UL 94V-0							
⑥	TYPE C中心片	SUS201-H									
⑤	TYPE C端子	C2680-H		镀金:G/F Tin 80-120u"Ni:30u"							
④	中夹片	SUS201-1/4H									
③	USB 端子	C2680-H		镀金:G/F Tin 80-120u"Ni:30u"							
②	外壳	C2680-H/SPCC		NI :40-60"							
①	主体胶芯	LCP+306F	BLACK	UL 94V-0							
序号	描述	材质	颜色	备注							



**b-Switch** 品赞科技®

Unless otherwise specified, Tolerance:  
 X. ±0.30  
 X.x ±0.20  
 X.xx ±0.15  
 X.xxx ±0.10  
 Angles ±3°

**G-Switch Electronic (HongKong) CO.,Ltd.**

DESIGN Li Qingqi	DATE 2022.04.26	Molde code:	
CHECKED	DATE	GT-USB-7066A	
APPROVED	DATE	REV.: X1	SCALE: 4:1
<a href="http://www.dg-switch.com">http://www.dg-switch.com</a>		UNIT: mm	
TEL:0769-82388879	SIZE: A4	SHEET: 1/1	