

8Gb GDDR6 SGRAM C-die

16M x 16Bit x 16 Banks x 2ch. / 32M x 8Bit x 16 Banks x 2ch.
Graphic Double Data Rate 6
Synchronous DRAM
(180Ball FBGA)

datasheet

SAMSUNG ELECTRONICS RESERVES THE RIGHT TO CHANGE PRODUCTS, INFORMATION AND SPECIFICATIONS WITHOUT NOTICE.

Products and specifications discussed herein are for reference purposes only. All information discussed herein is provided on an "AS IS" basis, without warranties of any kind.

This document and all information discussed herein remain the sole and exclusive property of Samsung Electronics. No license of any patent, copyright, mask work, trademark or any other intellectual property right is granted by one party to the other party under this document, by implication, estoppel or otherwise.

Samsung products are not intended for use in life support, critical care, medical, safety equipment, or similar applications where product failure could result in loss of life or personal or physical harm, or any military or defense application, or any governmental procurement to which special terms or provisions may apply.

For updates or additional information about Samsung products, contact your nearest Samsung office.

All brand names, trademarks and registered trademarks belong to their respective owners.

© 2020 Samsung Electronics Co., Ltd. All rights reserved.

Revision History

<u>Revision No.</u>	<u>History</u>	<u>Draft Date</u>	<u>Remark</u>	<u>Editor</u>
0.0	- First SPEC Release	16th Jan, 2018	Target	J.Y.Bae
0.9	- Preliminary datasheet.	29th Jun, 2018	Preliminary	M.S.Bae
	- Correct typo.			J.Y.Bae
	- Update for JEDEC specification Rev. 2.03.			
	- Remove a part number for K4Z80325BC-HC12.			
	- Change GDDR6 SGRAM BALL-OUT.			
	1. D10: WCK1_c_A, NC -> WCK1_c_A			
	2. D11: WCK1_t_A, NC -> WCK1_t_A			
	3. G5: RFU_A, NC -> CA10_A, NC			
	4. M5 : RFU_B, NC -> CA10_B, NC			
	5. R4 : WCK0_t_B, NC -> WCK0_t_B			
	6. R5 : WCK0_c_B, NC -> WCK0_c_B			
	- Update AC Timings table.			
	1. Remove QDR WCK.			
	2. Add a fCKPIN, CKEPW, tCKESR and tHSRF.			
	4. fWCKSTOP : TBD -> 2000MHz @ Max.			
	5. Remove a tLTL15TR.			
	6. Remove a tSRF.			
	7. tPD : 10 -> max(10tCK, 10) @min [ns].			
1.0	- Final datasheet.	7th Sep, 2018	Final	M.S.Bae
	- Update IDD spec values for HC14.			J.Y.Bae
	- Update AC timings in Command Address Training Mode table.			
	- Add VDD conditions in tables below.			
	1. LDFD and RDTR TIMINGS table.			
	2. WRTR and RDTR Timings table.			
	- Update Mode Register Definition 0.			
	- Update Example of Frequency Modes table.			
	- Update Silicon Pad Capacitance table.			
	- Update Thermal Characteristics table.			
	- Update AC parameter set for IDD test table.			
	- Remove Self Refresh Current Definitions table.			
	- Update WCK-to-Data-In Timing Sensitivity table.			
	- Update WCK-to-Data-Out Timing Sensitivity table.			
	- Update AC timings in Command Address Training Mode table.			
	- Add State Diagram.			
	- Update REFRESH and PER-BANK / PER-2-BANK REFRESH.			
	- Update Low Power Modes.			
	- Update Temperature Sensor.			

<u>Revision No.</u>	<u>History</u>	<u>Draft Date</u>	<u>Remark</u>	<u>Editor</u>
	<ul style="list-style-type: none"> - Update note No. 13 in AC Timing table. - Update PSEUDO-CHANNEL (PC) MODE. - Update Vender ID. 			
1.1	<ul style="list-style-type: none"> - Add a code K4Z80325BC-HC12 for 12Gbps. - Change fCK value : 50 -> 25 [MHz] - Update IDD spec values for HC16 and HC12. 	26th Nov, 2018	Final	M.S.Bae J.Y.Bae
1.2	<ul style="list-style-type: none"> - Change a comment in clocking section. - Update Command Sequences Affected by Bank Groups table. - Update MR7. <ol style="list-style-type: none"> 1. Add a comment "OP6 of this register is initialized with '0'." 2. OP[6] 0B : 0.7*VDDQ / default - Update MR10 description. - Update description VDD off in MR12. - Add a note in Absolute Maximum Ratings table. - Update AC & DC Operating Conditions <ol style="list-style-type: none"> 1.Update VREFD and VREFD2 values. 2. Update note4. - Add x16 mode. 	19th Apr, 2019	Final	M.S.Bae J.Y.Bae
1.3	<ul style="list-style-type: none"> - Added K4Z80325BC-HC18 code for 18Gbps - Updated TBD values of package electrical specification. 	29th Jan, 2020	Final	J.Y.Bae S.H.Kwak

[Table Of Contents](#)

8Gb GDDR6 SGRAM C-die

1. GDDR6 SGRAM STANDARD OVERVIEW.....	7
1.1 Features.....	7
1.2 Ordering Information.....	7
1.3 General Description.....	8
1.4 Definition Of Signal State Terminology.....	9
1.5 Definition Of Clocking Terminology.....	9
1.6 Pin Configuration.....	10
1.6.1. GDDR6 SGRAM BALL-OUT.....	10
1.6.2. Package Outline.....	11
1.7 Input/Output Functional Description.....	12
1.8 Clocking.....	13
2. STATE DIAGRAM.....	15
3. INITIALIZATION.....	16
3.1 Power-Up Sequence.....	16
3.2 Initialization With Stable Power.....	19
3.3 Vendor ID.....	20
4. ADDRESS.....	23
4.1 Command And Addressing.....	23
4.2 Command Address Bus Inversion (CABI).....	24
4.3 Bank Groups.....	25
5. TRAINING.....	27
5.1 Interface Training Sequence.....	27
5.2 Command Address Training.....	28
5.2.1. Command Address Training with Self Refresh (CADT Self Refresh).....	30
5.3 WCK2CK Training.....	33
5.3.1. WCK2CK Auto Synchronization.....	36
5.4 Read Training.....	38
5.4.1. LDFF Command.....	40
5.4.2. RDTR Command.....	42
5.5 WRITE Training.....	43
5.5.1. WRTR Command.....	44
6. MODE REGISTERS.....	46
6.1 Mode Register 0 (MR0).....	47
6.1.1. Write Latency (WLmrs).....	48
6.1.2. Read Latency (RLmrs).....	48
6.1.3. Write Recovery (WR).....	48
6.1.4. Test Mode.....	48
6.2 Mode Register 1 (MR1).....	49
6.2.1. Impedance Auto Calibration of Output Buffer and Active Terminator.....	49
6.2.2. Driver Strength.....	49
6.2.3. Data Termination.....	49
6.2.4. Calibration Update.....	49
6.2.5. RDBI and WDBI.....	49
6.2.6. CABI.....	50
6.3 Mode Register 2 (MR2).....	51
6.3.1. CADT SRF.....	51
6.3.2. RDQS Mode.....	51
6.3.3. EDC mode.....	51
6.3.4. Self Refresh.....	51
6.3.5. EDC Hold Rate.....	52
6.3.6. Impedance Offsets (MR2 OP[5:0] & MR3 OP[5:0]).....	52
6.4 Mode Register 3 (MR3).....	53
6.4.1. DRAM Info.....	53
6.4.2. Bank Groups.....	53
6.5 Mode Register 4 (MR4).....	54
6.5.1. EDC Hold pattern / EDC Invert.....	54
6.5.2. Read CRC and CRC Read Latency (CRCRL).....	54
6.5.3. Write CRC and CRC Write Latency (CRCWL).....	55
6.6 Mode Register 5 (MR5).....	56
6.6.1. Low Power Modes (LP2, LP3).....	56
6.7 Mode Register 6 (MR6) & Mode Register 9 (MR9).....	57
6.7.1. VREFD Level.....	59
6.7.2. Decision Feedback Equalization (DFE).....	60
6.7.3. Transmit Equalizer (TX EQ).....	60

6.8 Mode Register 7 (MR7)	61
6.8.1. Hibernate Self Refresh	61
6.8.2. Low Frequency Mode	61
6.8.3. WCK2CK Auto Synchronization	61
6.8.4. DQ Preamble	61
6.8.5. Half VREFC and Half VREFD	61
6.9 Mode Register 8 (MR8)	62
6.9.1. READ Latency Extra High Frequency (RLEHF)	62
6.9.2. WRITE Recovery Extra High Frequency (WREHF)	62
6.9.3. EDC Hi-Z	62
6.9.4. CK Auto Calibration (CK AC)	62
6.9.5. REFpb	62
6.9.6. CK Termination	63
6.9.7. CA Termination Override (CA TO), CAH and CAL Termination	63
6.10 Mode Register 10 (MR10)	64
6.10.1. WCK Inversion /Quad Shift	65
6.10.2. WCK2CK Training	65
6.10.3. WCK Termination	65
6.10.4. Input Reference Voltage for CA and CABI_n Pins and VREFC Offset	65
6.11 Mode Register 11 (MR11)	66
6.12 Mode Register 12 (MR12)	67
6.12.1. VDDQ OFF	67
6.12.2. P2BR Address	67
6.12.3. PRBS	67
6.13 Mode Register 13 (MR13)	68
6.14 Mode Register 14 (MR14)	68
6.15 Mode Register 15 (MR15)	69
6.15.1. Command Address Training (CADT)	69
6.15.2. Mode Register 0-14 Enable (MRE)	69
7. OPERATION	70
7.1 Commands	70
7.2 Command, Address And Write Data Input Timings	72
7.3 No Operation (NOP)	72
7.4 Mode Register Set	73
7.5 Row Activation	74
7.6 Bank Restrictions	75
7.7 WRITE (WOM)	76
7.8 Write Data Mask (DM)	82
7.9 Masked Write Data Timing Constraints	91
7.10 READ	92
7.11 DQ Preamble	98
7.12 Low Frequency Modes	99
7.13 RDQS Mode	100
7.14 READ and WRITE Data Bus Inversion (DBI)	101
7.14.1. DBI_n Special Function Overview	102
7.15 Error Detection Code (EDC)	103
7.15.1. EDC Pin Special Function Overview	106
7.15.2. CRC Polynomial Logic for Full data rate and Half data rate EDC	107
7.16 Precharge	108
7.17 Auto Precharge	108
7.18 REFRESH and PER-BANK / PER-2-BANK REFRESH	109
7.18.1. REFRESH (REFab) Command	110
7.18.2. PER-BANK REFRESH (REFpb) and PER-2-BANK REFRESH (REFp2b) Commands	112
7.19 Self Refresh	117
7.20 Partial Array Self Refresh (PASR)	120
7.20.1. PASR Bank Masking	120
7.20.2. PASR Row Segment Masking	120
7.21 Hibernate Self Refresh	121
7.22 Hibernate Self Refresh With VDDQ Off	122
7.23 Power-Down	123
7.24 Command Truth Tables	125
7.25 Clock Frequency Change Sequence	129
7.26 Dynamic Voltage Switching (DVS)	130
7.27 Temperature Sensor	131
7.28 DUTY CYCLE CORRECTOR (DCC)	132
8. OPERATING CONDITIONS	133
8.1 Absolute Maximum Ratings	133
8.2 Pad Capacitances	133
8.3 Package Electrical Specification	134
8.4 Package Thermal Characteristics	135

8.5 Electrostatic Discharge Sensitivity Characteristics	135
8.6 AC & DC Operating Conditions	136
8.7 POD I/O System	141
8.8 IDD and IPP Parameters And Test Conditions	144
8.9 AC Timings	156
8.10 CLOCK-TO-DATA Timing Sensitivity	165
8.11 1.35V I/O Driver Models	166
8.12 1.25V I/O Driver Models	169
8.13 On Die Termination (ODT).....	172
8.14 x8 Mode Enable.....	173
8.15 PSEUDO-CHANNEL (PC) MODE	177
9. IEEE.1149.1 BOUNDARY SCAN	179
9.1 Test Pins	179
9.1.1. Test Clock (TCK)	179
9.1.2. Test Mode Select (TMS).....	179
9.1.3. Test Data Input (TDI)	179
9.1.4. Test Data Output (TDO).....	179
9.2 Tap Controller	180
9.2.1. Test-Logic-Reset.....	180
9.2.2. Run-Test/Idle	180
9.2.3. Select-DR-Scan	180
9.2.4. Capture-DR.....	180
9.2.5. Shift-DR	180
9.2.6. Exit1-DR, Pause-DR, and Exit2-DR.....	180
9.2.7. Update-DR.....	180
9.2.8. Instruction Register States	180
9.3 Tap Registers	181
9.3.1. Instruction (IR) Register	181
9.3.2. Bypass (BY) Register.....	181
9.3.3. Identification (ID) Register	181
9.3.4. Temperature (TR) Register.....	181
9.3.5. Boundary Scan (BS) Register	181
9.4 Tap Instruction Set.....	184
9.4.1. SAMPLE/PRELOAD	184
9.4.2. IDCODE	184
9.4.3. CLAMP.....	184
9.4.4. HIGH-Z	184
9.4.5. EXTEST	184
9.4.6. BYPASS.....	184
9.4.7. TEMPERATURE.....	184
9.5 Boundary Scan Operation	185
9.6 Interactions Between Boundary Scan And Normal Device Operation.....	187

1. GDDR6 SGRAM STANDARD OVERVIEW

1.1 Features

- 2 separate independent channels with point-to-point interface for data, address and command
- Half CA data rate differential clock inputs CK_t/CK_c for CMD/ADD (CA) per 2 channels
- Four half data rate differential clock inputs WCK_t/WCK_c, each associated with a data byte (DQ, DBI_n, EDC) in the channel
- Double Data Rate (DDR) data (with regards to the WCK)
- Double Data Rate (DDR) Command Address (with regards to the CK)
- 16 internal banks
- 4 bank groups for tCCDL = 3 tCK and 4 tCK
- 16n prefetch architecture: 256 bit per array read or write access per channel
- Burst length: 16 only
- Programmable READ latency: 9 to 31 tCK
- Programmable WRITE latency: 5 to 8 tCK
- WRITE Data mask function via CA bus (single/double byte mask)
- Data bus inversion (DBI) & Command Address bus inversion (CABI)
- Command Address training: command address input monitoring by DQ/DBI_n/EDC signals
- WCK2CK clock training with phase information by EDC signals
- Data read and write training via READ FIFO (depth 6)
- READ FIFO pattern preload by LDFF command
- Direct write data load to READ FIFO by WRTR command
- Consecutive read of READ FIFO by RDTR command
- Read/Write data transmission integrity secured by cyclic redundancy check using either a half or full data rate CRC
- READ/WRITE EDC on/off mode
- Programmable EDC hold pattern for CDR
- Programmable CRC READ latency = 1 to 4 tCK and CRC WRITE latency = 10 to 16 tCK
- Low Power modes
- On-chip temperature sensor with read-out
- Auto precharge for each burst access
- Auto refresh & self refresh modes
- 32ms, auto refresh (16k cycles)
- Temperature sensor controlled self refresh rate and Partial Array Self Refresh
- Per-Bank / Per-2-Bank Refresh
- On-die termination (ODT)
- ODT and output driver strength auto-calibration with external resistor ZQ
- Programmable termination and driver strength offsets (40 ohm to 60ohm)
- Internal VREF for data inputs and CA inputs with programmable levels
- Separate internal VREF for CA (Command / Address) inputs
- Vendor ID1 and ID2 for identification
- x16/x8 mode configuration set at power-up with EDC
- Pseudo-channel mode (PC mode) configuration set at power up with CA6
- 1.35V +/- 0.0405V supply for device operation (VDD)
(Specific parts support 1.25V + 0.0375V)
- 1.35V +/- 0.0405V supply for I/O interface (VDDQ)
(Specific parts support 1.25V + 0.0375V)
- 1.8 + 0.108V / - 0.054V supply for VPP
- 180 ball BGA package with 0.75mm pitch
- IEEE1149.1 compliant boundary scan

1.2 Ordering Information

Part Number	Max Freq.	Max Data Rate	VDD & VDDQ	Interface	Package
K4Z80325BC-HC18	2250Mhz	18.0Gbps/pin	1.35V+/- 0.0405V	POD_135	180 Ball FBGA
	-	-	-	-	
K4Z80325BC-HC16	2000Mhz	16.0Gbps/pin	1.35V +/- 0.0405V	POD_135	
	1750Mhz	14.0Gbps/pin	1.25V +/- 0.0375V	POD_125	
K4Z80325BC-HC14	1750Mhz	14.0Gbps/pin	1.35V +/- 0.0405V	POD_135	
	1500Mhz	12.0Gbps/pin	1.25V +/- 0.0375V	POD_125	
K4Z80325BC-HC12	1500Mhz	12.0Gbps/pin	1.35V +/- 0.0405V	POD_135	
	1250Mhz	10.0Gbps/pin	1.25V +/- 0.0375V	POD_125	

1.3 General Description

The GDDR6 SGRAM is a high-speed dynamic random-access memory designed for applications requiring high bandwidth. GDDR6 devices contain the following number of bits:

8Gb has 8,589,934,592 bits

12Gb has 12,884,901,888 bits

16Gb has 17,179,869,184 bits

24Gb has 25,769,803,776 bits

32Gb has 34,359,738,368 bits

The GDDR6 SGRAM's high-speed interface is optimized for point-to-point connections to a host controller. On-die termination (ODT) is provided for all high-speed interface signals to eliminate the need for termination resistors in the system.

GDDR6 uses a 16n prefetch architecture and a DDR interface to achieve high-speed operation. The device's architecture consists of two 16 bit wide fully independent channels.

GDDR6 operates from a differential clock CK_t and CK_c. CK is common to both channels. Command and Address (CA) are registered at every rising edge of CK and every falling edge of CK. There are both single cycle and multi cycle commands. See command truth table for details.

GDDR6 uses a free running differential forwarded clock (WCK_t/WCK_c) with both input and output data registered and driven respectively at both edges of the forwarded WCK. See Clocking section for details.

Read and write accesses to GDDR6 are burst oriented; accesses start at a selected location and consists of a total of sixteen data words. Accesses begin with the registration of an Activate command, which is then followed by a Read, Write (WOM) or masked Write (WDM, WSM) command.

The row and bank address to be accessed is registered coincident with the Activate command. The address bits registered coincident with the Read, Write or masked Write command are used to select the bank and the starting column location for the burst access.

This specification includes all features and functionality required for GDDR6 SGRAM devices. In many cases the GDDR6 specification describes the behavior of a single channel.

1.4 Definition Of Signal State Terminology

GDDR6 SGRAM will be operated in both ODT Enable (terminated) and ODT Disable (unterminated) modes. For highest data rates it is recommended to operate in the ODT Enable mode. ODT Disable mode is designed to reduce power and may operate at reduced data rates. There exist situations where ODT Enable mode can not be guaranteed for a short period of time, i.e., during power up.

Following are four terminologies defined for the state of a device (GDDR6 SGRAM or controller) signal during operation. The state of the bus will be determined by the combination of the device signal connected to the bus in the system. For example, in GDDR6 it is possible for the SGRAM pin to be tri-stated while the controller signal is HIGH or ODT. In both cases the bus would be HIGH if the ODT is enabled. For details on the device's signals and their function see Sections Section 8.1 and Section .

Device pin signal level:

- HIGH: A device signal is driving the Logic "1" state.
- LOW: A device signal is driving the Logic "0" state.
- Hi-Z: A device signal is tristate.
- ODT: A device signal terminates with ODT setting, which could be terminating or tristate depending on Mode Register setting.

Bus signal level:

- HIGH: One device on bus is HIGH and all other devices on bus are either ODT or Hi-Z. The voltage level on the bus would be nominally V_{DDQ} .
- LOW: One device on bus is Low and all other devices on bus are either ODT or Hi-Z. The voltage level on the bus would be nominally $V_{OL}(DC)$ if ODT was enabled, or V_{SS} if Hi-Z.
- Hi-Z: All devices on bus are Hi-Z. The voltage level on bus is undefined as the bus is floating.
- ODT: At least one device on bus is ODT and all others are Hi-Z. The voltage level on the bus would be nominally V_{DDQ} .

1.5 Definition Of Clocking Terminology

- Data refers to the signal being clocked (e.g. DQ by WCK and CA by CK)
- Half rate: clock is running at half of the data rate (e.g. WCK 4GHz and DQ at 8Gbps, or CK 1GHz and CA at 2Gbps)
- Quarter rate: clock is running at a quarter of the data rate (e.g. WCK 2GHz and DQ at 8Gbps)
- Eighth rate: clock is running at one eighth of the data rate (e.g. WCK internal 1GHz and DQ at 8Gbps)
- DDR (Double Data Rate): complement to half rate, referring to data relative to clock
- QDR (Quad Data Rate): complement to quarter rate, referring to data relative to clock
- ODR (Octa Data Rate): complement to eighth rate, referring to data relative to clock

1.6 Pin Configuration

1.6.1 GDDR6 SGRAM BALL-OUT

	1	2	3	4	5	6	7	8	9	10	11	12	13	14
A	VDD	VSS	DQ1_A	VSS	VPP					VPP	VSS	DQ9_A	VSS	VDD
B	VSS	DQ3_A	DQ2_A	DQ0_A	VDDQ					VDDQ	DQ8_A	DQ10_A	DQ11_A	VSS
C	VDDQ	EDC0_A	VSS	VDDQ	VSS					VSS	VDDQ	VSS	EDC1_A	VDDQ
D	VSS	DBI0_n_A	VSS	WCK0_t_A	WCK0_c_A					WCK1_c_A	WCK1_t_A	VSS	DBI1_n_A	VSS
E	VDDQ	DQ5_A	DQ4_A	VSS	VDD					VDD	VSS	DQ12_A	DQ13_A	VDDQ
F	VSS	DQ6_A	VSS	VDDQ	TMS					TDI	VDDQ	VSS	DQ14_A	VSS
G	VSS	DQ7A	VSS	CA2_A	CA10_A, NC					CKE_n_A	CA1_A	VSS	DQ15_A	VSS
H	VDDQ	VDD	CA0_A	VSS	CA4_A					CA5_A	VSS	CA3_A	VDD	VDDQ
J	RESET_n	VDDQ	CA9_A	CA8_A	CABI_n_A					CK_t	CA7_A	CA6_A	VDDQ	ZQ_A
K	VREFC	VDDQ	CA9_B	CA8_B	CABI_n_B					CK_c	CA7_B	CA6_B	VDDQ	ZQ_B
L	VDDQ	VDD	CA0_B	VSS	CA4_B					CA5_B	VSS	CA3_B	VDD	VDDQ
M	VSS	DQ7_B	VSS	CA2_B	CA10_B, NC					CKE_n_B	CA1_B	VSS	DQ15_B	VSS
N	VSS	DQ6_B	VSS	VDDQ	TCK					TDO	VDDQ	VSS	DQ14_B	VSS
P	VDDQ	DQ5_B	DQ4_B	VSS	VDD					VDD	VSS	DQ12_B	DQ13_B	VDDQ
R	VSS	DBI0_n_B	VSS	WCK0_t_B	WCK0_c_B					WCK1_c_B	WCK1_t_B	VSS	DBI1_n_B	VSS
T	VDDQ	EDC0_B	VSS	VDDQ	VSS					VSS	VDDQ	VSS	EDC1_B	VDDQ
U	VSS	DQ3_B	DQ2_B	DQ0_B	VDDQ					VDDQ	DQ8_B	DQ10_B	DQ11_B	VSS
V	VDD	VSS	DQ1_B	VSS	VPP					VPP	VSS	DQ9_B	VSS	VDD

Figure 1. GDDR6 SGRAM 180 ball BGA Ball-out

NOTE :
 1) Top View (as seen thru package).

1.6.2 Package Outline

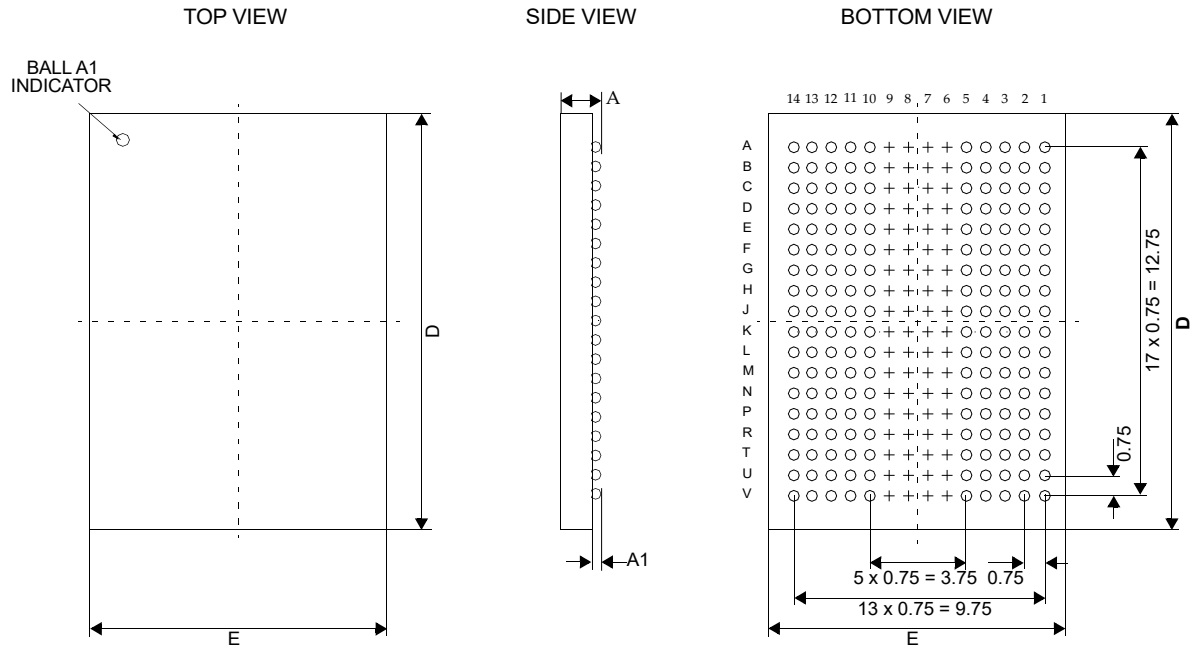


Figure 2. Package Dimensions²⁾

[Table 1] Package Parameters

Parameter	Symbol	Minimum	Nominal	Variation
Length	D		14.00	+/- 0.100
Width	E		12.00	+/- 0.100
Height	A		1.10	+/- 0.100
Ball diameter	b		0.48	+/- 0.050
Standoff	A1	0.24		
Ball pitch	e		0.75	

NOTE :

- 1) GDDR6 package size, height and standoff specification is compliant to MO-328, Variation P14.0x12.0-GJ-180A
- 2) All dimensions in mm unless otherwise noted.

1.7 Input/Output Functional Description

[Table 2] Ball-out Description

SYMBOL	TYPE	DESCRIPTION
CK_t, CK_c	Input	Clock: CK_t and CK_c are differential clock inputs. CK_t and CK_c do not have channel indicators as one clock is shared between both Channel A and Channel B on a device. Command Address (CA) inputs are latched on the rising and falling edge of CK. All latencies are referenced to CK.
WCK0_t, WCK0_c, WCK1_t, WCK1_c	Input	Write Clocks: WCK_t and WCK_c are differential clocks used for WRITE data capture and READ data output. WCK0_t/WCK0_c is associated with DQ[7:0], DBI0_n and EDC0. WCK1_t/WCK1_c is associated with DQ[15:8], DBI1_n and EDC1. The ball out has a WCK/byte.
CKE_n	Input	Clock Enable: CKE_n LOW activates and CKE_n HIGH deactivates the internal clock, device input buffers, and output drivers excluding RESET_n, TDI, TDO, TMS and TCK. Taking CKE_n HIGH provides PRECHARGE POWER-DOWN and SELF REFRESH operations (all banks idle), or ACTIVE POWER-DOWN (row ACTIVE in any bank). CKE_n must be maintained LOW throughout read and write accesses.
CA[10:0]	Input	Command Address (CA) Inputs: The CA inputs receive packetized DDR commands, address or other information, for example, the op-code for the MRS command. See Command Truth Table for details. CA10 is only present in 24 Gb and 32 Gb densities.
DQ[15:0]	I/O	Data Input/Output: 16-bit data bus
DBI[1:0]_n	I/O	Data Bus Inversion. DBI0_n is associated with DQ[7:0], DBI1_n is associated with DQ[15:8].
EDC[1:0]	Output	Error Detection Code. The calculated CRC data is transmitted on these signals. In addition these signals drive a 'hold' pattern when idle. EDC0 is associated with DQ[7:0], EDC1 is associated with DQ[15:8].
CABI_n	Input	Command Address Bus Inversion
V _{DDQ}	Supply	I/O Power Supply. Isolated on the die for improved noise immunity.
V _{DD}	Supply	Power Supply
V _{SS}	Supply	Ground
V _{PP}	Supply	Pump Voltage
VREFC	Supply	Reference Voltage for CA/CABI_n/CKE_n signals
RFU		Reserved for Future Use
NC		No Connect
ZQ	Reference	External Reference for autocalibration
TDI	Input	JTAG test data input
TDO	Output	JTAG test data output
TMS	Input	JTAG test mode select
TCK	Input	JTAG test clock
RESET_n	Input	RESET_n LOW asynchronously initiates a full chip reset. With RESET_n LOW all ODTs are disabled. A full chip reset may be performed at any time by pulling RESET_n LOW.

NOTE :

1) Index “_A” or “_B” represents the channel indicator “A” and “B” of the device. Signal names including the channel indicator are used whenever more than one channel is referenced, as e.g., with the ball-out. The channel indicator is omitted whenever features and functions common to both channels are described.

1.8 Clocking

The GDDR6 SGRAM supports DDR and QDR operating modes for WCK frequency which differ in the DQ/DBI_n to WCK clock frequency ratio.

Figure 3 illustrates the difference between a DDR WCK and a QDR WCK. GDDR6 SGRAM also supports 2 granularities for the WCK data clock in the device. GDDR6 SGRAM devices can be designed with either a WCK/byte or a WCK/word. This GDDR6 SGRAM supports DDR operating mode and is designed with a WCK/byte granularity.

The DRAM info bits for WCK Granularity, WCK Frequency and Internal WCK can be read by the host during the initialization process to determine the WCK architecture for the device and for devices that support multiple frequencies, MR10 OP9 allows for the mode to be set. For the frequencies for each mode see Table 92.

In both WCK QDR and DDR modes the GDDR6 device operates from a differential clock CK_t and CK_c. Command and Address (CA) are registered at every rising and falling CK edge. For both WCK DDR and QDR ratio the GDDR6 device can support either a full data rate EDC or a half data rate EDC. See EDC section for more details.

A rising CK (or WCK) edge is defined as the crossing of the positive edge of CK_t (or WCK_t) and the negative edge of CK_c (or WCK_c). A falling CK (or WCK) edge is defined as the crossing of the negative edge of CK_t (or WCK_t) and the positive edge of CK_c (or WCK_c).

[Table 3] Example Clock and Interface Signal Frequency Relationship

PIN	DDR WCK		QDR WCK		UNIT
CK_t, CK_c	1.5		1.5		GHz
CA	3.0		3.0		Gbps/pin
WCK_t, WCK_c	6.0		3.0		GHz
DQ, DBI_n	12.0		12.0		Gbps/pin
EDC	6.0	12.0	6.0	12.0	Gbps/pin

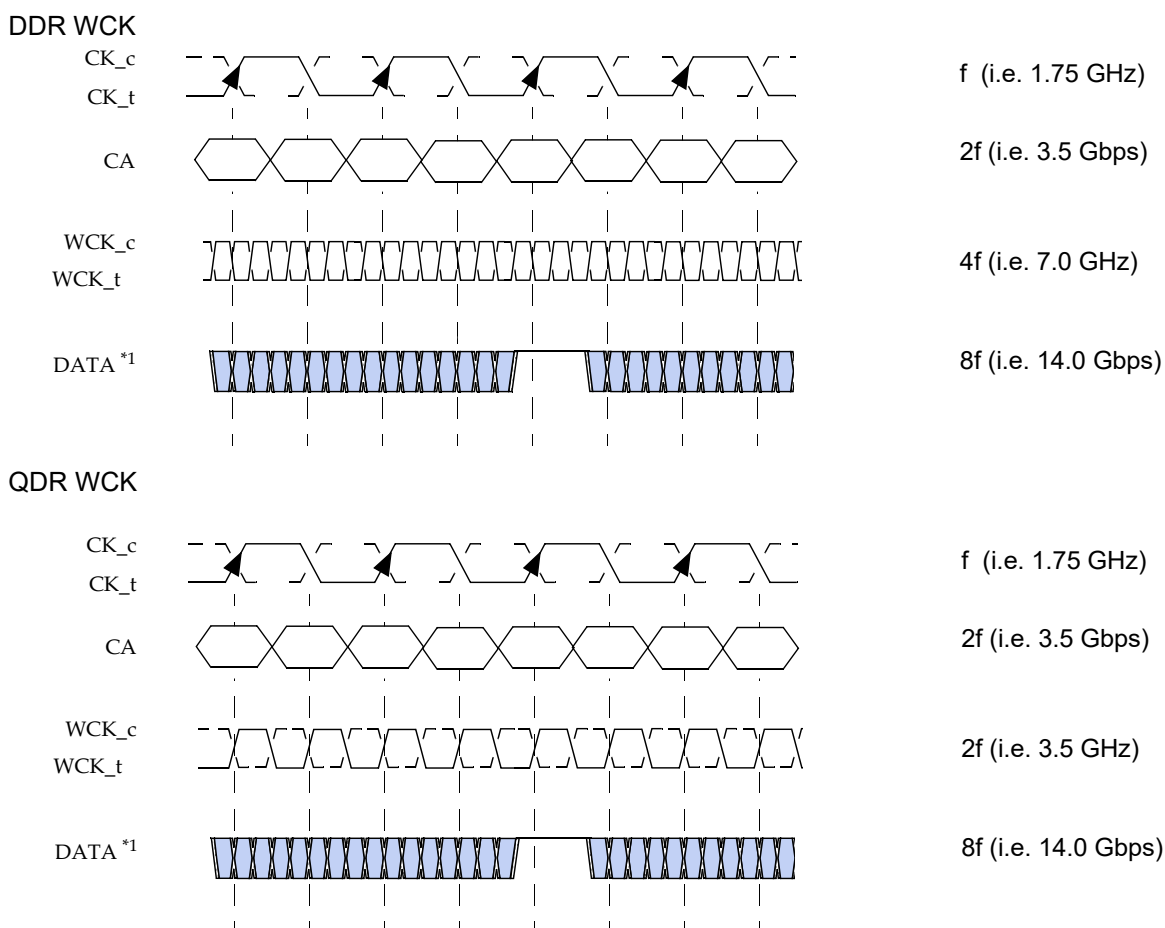


Figure 3. GDDR6 Clocking and Interface Relationship

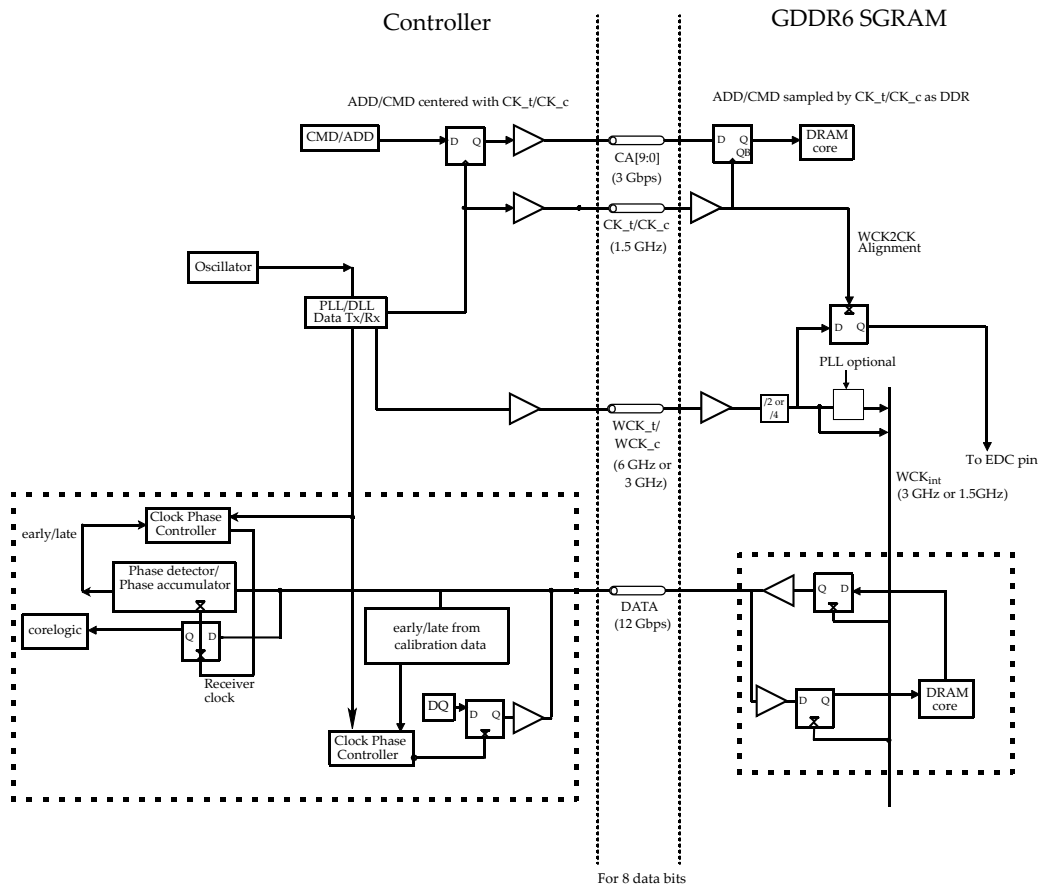


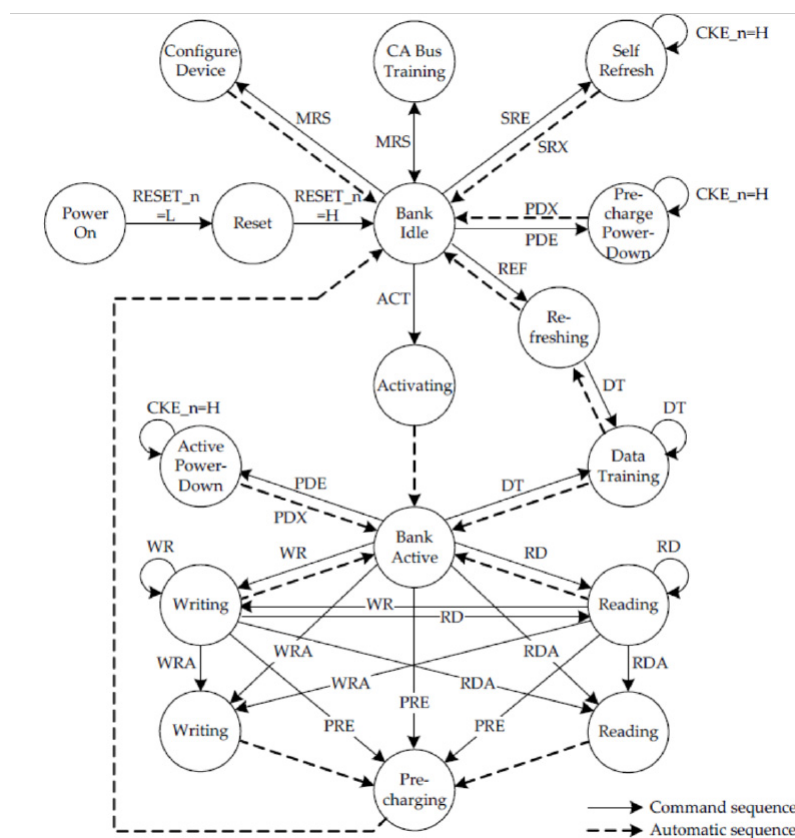
Figure 4. Block Diagram of an example clock system

2. STATE DIAGRAM

The state diagram provides a simplified illustration of the allowed state transitions and the related commands to control them. The following operations are not or not completely shown in the diagram:

- state transitions involving more than one bank;
- device configurations set at the exit from reset state, including x16/x8 mode and 2 channel mode vs. PC mode;
- enabling or disabling of on-die termination;
- reading the Vendor ID or temperature sensor via the DQ bus;
- the procedures for WCK2CK training, clock frequency change and dynamic voltage switching (DVS);
- the suppression of a read or write data transfer by the use of the CE bit as part of READ (RD, RDTR) and WRITE (WOM, WDM, WSM, WRTR) commands, intended to be used with PC mode;
- variations of self refresh mode like hibernate self refresh and hibernate self refresh with VDDQ Off;
- the immediate transition from any state to reset state by asserting RESET_n LOW or by loading one of the boundary scan instructions EXTEST, CLAMP or HIGH-Z.

For a complete description of the device behavior, use the information provided in the state diagram along with the command truth tables and AC timing specifications.



Code	Command
ACT	ACTIVATE
PRE	PREAc or PREpb
RD	READ
RDA	READ w/AP
WR	WOM, WDM or WSM
WRA	WOM, WDM or WSM w/AP
DT	LDFF, WRTR or RDTR

Code	Command
REF	REFAb, REFpb or REFp2b
MRS	MODE REGISTER SET
PDE	POWER-DOWN ENTRY
PDX	POWER-DOWN EXIT
SRE	SELF REFRESH ENTRY
SRX	SELF REFRESH EXIT

Figure 5. Simplified State Diagram

3.0 INITIALIZATION

3.1 Power-Up Sequence

GDDR6 SGRAMs must be powered up and initialized in a predefined manner. Operational procedures other than those specified may result in undefined operation. The Mode Registers do not have RESET default values, except for CABI, CA termination, and the EDC hold pattern. If the mode registers are not set during the initialization sequence, it may lead to unspecified operation.

- 1) Apply power to V_{PP} . Apply power to V_{DD} at the same time or after power is applied to V_{PP} . Apply power to V_{DDQ} at the same time or after power is applied to V_{DD} . V_{PP} must be equal to or higher than V_{DD} at all times the device is powered up except during power-off sequence.
- 2) Apply V_{REFC} at same time or after power is applied to V_{DDQ} , or pull V_{REFC} LOW to select internal V_{REFC} .
- 3) The voltage levels on all signal balls must be less than or equal to V_{DD} and V_{DDQ} on one side and must be larger than or equal to V_{SS} on the other side.
- 4) Assert $RESET_n$ LOW to ensure all drivers are in Hi-Z and all ODT are off. Maintain $RESET_n$ LOW for a minimum time of t_{INIT1} .
- 5) Set system configuration info at least a time t_{ATS} before $RESET_n$ is driven HIGH:
 - a. Drive $CA[5:4]_A$ and $CA[5:4]_B$ both LOW or HIGH for the desired CK ODT
 - b. Drive $EDC1_A$ and $EDC0_B$ both HIGH for x16 mode or LOW for x8 mode
 - c. Drive $CA6_A$ and $CA6_B$ both HIGH for 2 channel mode or LOW for PC mode
 - d. Drive $CA1_A$ and $CA0_A$ per Table 5 to select CA bus termination strength for Channel A.
 - e. Drive $CA3_B$ and $CA2_B$ per Table 5 to select CA bus termination strength for Channel B
 - d. Drive CK_t , WCK_t to static LOW level, and CK_c , WCK_c to static HIGH level.

After meeting t_{ATS} requirement, drive $RESET_n$ HIGH

- 6) After $RESET_n$ is pulled HIGH, maintain $CA[6:0]$ and EDC signals stable for a minimum time of t_{ATH} .
- 7) Pull CKE_n LOW after t_{ATH} is satisfied. Assert and hold NOP command. The device performs the initial impedance calibration during this time; this will be done without external clocks. Latest after t_{INIT2} the device enables the CK and CA ODT as determined in steps 5 and 6.
- 8) Provide a stable CK clock for a minimum of t_{INIT3} cycles.
- 9) Issue MRS command to MR15 to set the device into CA training mode (optional).
- 10) Complete CA training (optional).
- 11) Issue MRS command to read the Vendor ID (optional).
- 12) Issue MRS command to set WCK termination values.
- 13) Provide stable WCK clocks.
- 14) Issue MRS commands to the mode registers in any order. Issue MRS commands to use PLL or not, to select the position of a WCK2CK alignment point and WCK ratio, and to set $WLmrs$, $RLmrs$, $CRCWL$, and $CRCRL$ to appropriate values. All these features must be programmed before WCK2CK training, and t_{MOD} must be met during this procedure.
- 15) Issue two REFCab commands followed by NOP until t_{RFCab} is satisfied.
- 16) After any necessary training sequences such as WCK2CK training, READ training (LDFF, RDTR) and WRITE training (WRTR, RDTR), the device is ready for normal operation.

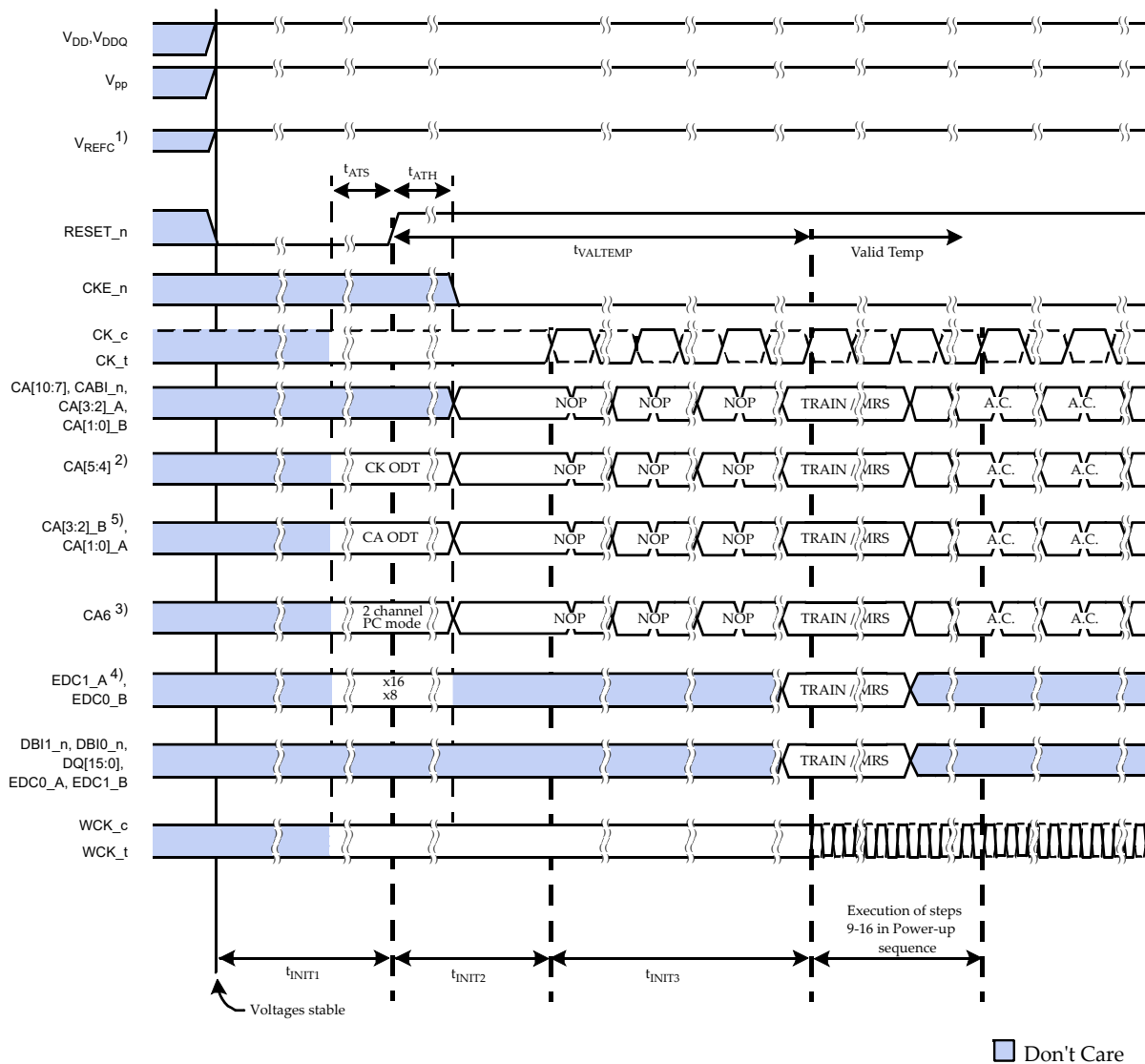


Figure 6. Power-up Initialization

NOTE :

CA10 is only present in 24 Gb and 32 Gb densities.

A.C. = Any Command

1) Pull V_{REFC} ball to V_{SS} to select internal V_{REFC}

2) Drive CA[5:4] HIGH or LOW to select default CK ODT

3) Drive CA6 HIGH or LOW to select either 2 channel or PC mode

4) Drive EDC HIGH or LOW to select x8 or x16 mode

5) Drive CA[3:2]_B and CA[1:0]_A HIGH or LOW to select default CA ODT

[Table 4] Device Initialization Timings

PARAMETER	SYMBOL	VALUES		UNIT	NOTES
		MIN	MAX		
RESET_n initial LOW time after power-up	t _{INIT1}	200	–	μs	
Time after RESET_n de-assertion before starting the CK clock	t _{INIT2}	1	–	ms	
Stable CK clock cycles before issuing valid commands	t _{INIT3}	100	–	t _{CK}	
CA[6:0] and EDC setup time before RESET_n de-assertion	t _{ATS}	10	–	ns	
CA[6:0] and EDC hold time after RESET_n de-assertion	t _{ATH}	10	–	ns	
RESET_n LOW time with stable power	t _{RES}	100	–	ns	
Temperature sensing time after RESET_n deassertion	t _{VALTEMP}	1.5		ms	

[Table 5] CA Termination

CA[3:2]_B or CA[1:0]_A at RESET_n high transition	Termination for CA[3:0]	Termination with CA6 LOW for CA[10:4], CABI_n & CKE_n	Termination with CA6 HIGH for CA[10:4], CABI_n & CKE_n
LOW, LOW	Disabled	Disabled	Disabled
LOW, HIGH	60 Ohms	120 Ohms	60 Ohms
HIGH, LOW	120 Ohms	240 Ohms	120 Ohms
HIGH, HIGH	Reserved	Reserved	Reserved

[Table 6] CK Termination

CA5_A CA5_B	CA4_A CA4_B	Default CK Termination Value
LOW	X	Disabled
HIGH	LOW	60 Ohm
HIGH	HIGH	120 Ohm

3.2 Initialization With Stable Power

The following sequence is required for reset subsequent to power-up initialization. This requires that the power has been stable within the specified V_{DD} , V_{DDQ} and V_{PP} ranges since power-up initialization (see Figure 7):

- 1) Assert RESET_n LOW anytime when reset is needed.
- 2) Hold RESET_n LOW for minimum t_{RES} . Assert and hold NOP command.
- 3) Continue with step 5 of the power-up initialization sequence.

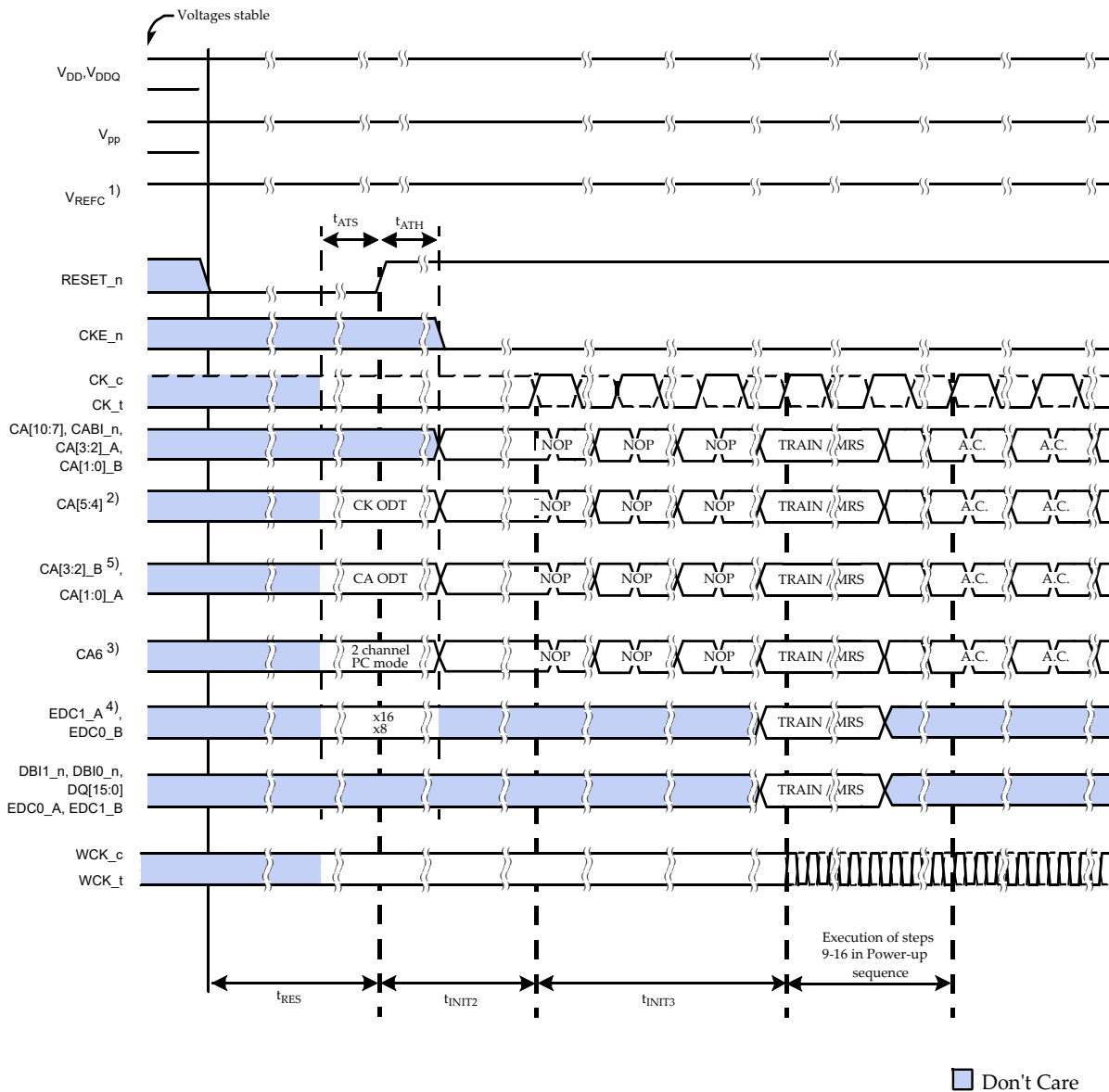


Figure 7. Initialization with Stable Power

- NOTE :**
 CA10 is only present in 24 Gb and 32 Gb densities.
 A.C. = Any Command
 1) Pull V_{REFC} ball to V_{SS} to select internal V_{REFC}
 2) Drive $CA[5:4]$ HIGH or LOW to select default CK ODT
 3) Drive $CA6$ HIGH or LOW to select either 2 channel or PC mode
 4) Drive EDC HIGH or LOW to select x8 or x16 mode
 5) Drive $CA[3:2]_B$ and $CA[1:0]_A$ HIGH or LOW to select default CA ODT

3.3 Vendor ID

GDDR6 SGRAMs include a Vendor ID feature that allows the controller to receive information from the device to differentiate between different vendors and different devices using a software algorithm.

Vendor ID is part of the INFO field of Mode Register 3 (MR3) and is selected by issuing a MODE REGISTER SET command with MR3 OP[7:6] = 01 for ID1 and MR3 OP[7:6] = 11 for ID2. MR3 OP[11:8] and OP[5:0] are set to the desired values.

When the Vendor ID function is enabled the device information will be transmitted on the DQ bus as shown in Figure 8. The device will provide the Vendor ID as shown in Table 7 or Table 8 depending on whether ID1 or ID2 is selected. For x8 mode the 16 bits of Vendor ID information comes from 2 devices as only 1 data byte per channel per device is enabled.

Additional information can optionally be provided by the vendor using a vendor specific setting in the Reserved for Vendor Specific Features MR and will follow the same protocol as vendor ID unless explicitly stated in the vendor data sheet.

The Vendor ID will be driven onto the DQ bus after the MRS command that sets bits OP6 to 1 and OP7 to 0 for ID1 or to 1 for ID2. The DQ bus will be continuously driven until an MRS command sets MR3 OP6 and OP7 back to 0. The DQ bus will be in ODT state after $t_{WRIDOFF(max)}$. The code can be sampled by the controller after waiting $t_{WRIDON(max)}$ and before $t_{WRIDOFF(min)}$. DBI is not enabled or ignored during all Vendor ID operations.

The EDC hold pattern is continuously driven on the EDC signals provided a stable WCK clock is applied.

[Table 7] vendor ID to DQ Mapping-ID1 (MR3 OP[7:6] = 01)

DQ	DQ15_A	DQ14_A	DQ13_A	DQ12_A	DQ11_A	DQ10_A	DQ9_A	DQ8_A
	DQ15_B	DQ14_B	DQ13_B	DQ12_B	DQ11_B	DQ10_B	DQ9_B	DQ8_B
Code	1	0	1	0	1	0	0	1
Feature	VDDQ OFF	WCK Frequency		WCK Granularity	Internal WCK	Density		
DQ	DQ7_A	DQ6_A	DQ5_A	DQ4_A	DQ3_A	DQ2_A	DQ1_A	DQ0_A
	DQ7_B	DQ6_B	DQ5_B	DQ4_B	DQ3_B	DQ2_B	DQ1_B	DQ0_B
Code	1	0	0	0	0	0	0	1
Feature	Revision ID				Manufacturer Vendor Code			

The Manufacturers Vendor Code, Revision ID and Density allow the host to differentiate which vendor's device, the revision of the device and the density used in the system. Internal WCK tells the host whether to use an invert or quad shift when programming MR10 OP[7:4]. WCK Granularity and WCK Frequency are used by the host to determine if the device in the has WCK/byte or WCK/word to allow the device to be properly trained and configured.

[Table 8] vendor ID to DQ Mapping-ID2 (MR3 OP[7:6] = 11)

DQ	DQ15_A	DQ14_A	DQ13_A	DQ12_A	DQ11_A	DQ10_A	DQ9_A	DQ8_A
	DQ15_B	DQ14_B	DQ13_B	DQ12_B	DQ11_B	DQ10_B	DQ9_B	DQ8_B
Code	1	1	1	1	1	1	1	1
Feature	RFU							
DQ	DQ7_A	DQ6_A	DQ5_A	DQ4_A	DQ3_A	DQ2_A	DQ1_A	DQ0_A
	DQ7_B	DQ6_B	DQ5_B	DQ4_B	DQ3_B	DQ2_B	DQ1_B	DQ0_B
Code	1	1	1	1	1	1	0	0
Feature	RFU						PRBS	Programmable P2BR

Programmable P2BR allows the host to determine if the device has a register to select between MSB and LSB Don't Care when using REFp2b commands or the device has just LSB do not care when using REFp2b commands.

PRBS allows the host to determine if the optional PRBS feature in MR12 is supported by the device.

[Table 9] Manufacturers Vendor Code

DQ3_A DQ3_B	DQ2_A DQ2_B	DQ1_A DQ1_B	DQ0_A DQ0_B	Manufacturer's Name
0	0	0	1	Samsung
0	1	1	0	SK hynix
1	1	1	1	Micron
all others				Reserved

[Table 10] Internal WCK

DQ11_A DQ11_B	Internal WCK
0	Internal Quarter data rate WCK
1	Internal Eighth data rate WCK

[Table 11] Channel Density

DQ10_A DQ10_B	DQ9_A DQ9_B	DQ8_A DQ8_B	Channel (Device) Density
0	0	0	RFU
0	0	1	4 Gb (8 Gb)
0	1	0	6 Gb (12 Gb)
0	1	1	8 Gb (16 Gb)
1	0	0	12 Gb (24 Gb)
1	0	1	16 Gb (32 Gb)
all others			Reserved

[Table 12] WCK Granularity

DQ12_A DQ12_B	WCK Granularity
0	WCK/byte
1	WCK/word

[Table 13] WCK Frequency

DQ14_A DQ14_B	DQ13_A DQ13_B	WCK Frequency
0	0	Reserved
0	1	Half data rate WCK
1	0	Quarter data rate WCK
1	1	Both

NOTE :

1) The vendor datasheet shall be consulted for the supported frequency ranges of QDR and DDR WCK in case a device supports both options.

[Table 14] VDDQ Off

DQ15_A DQ15_B	VDDQ off
0	Hibernate Self Refresh with VDDQ off not supported
1	Hibernate Self Refresh with VDDQ off supported

[Table 15] Programmable P2BR

DQ0_A DQ0_B	Programmable P2BR
0	Both LSB (BA0) and MSB (BA3) Don't Care for REFp2b supported
1	LSB (BA0) Don't Care only for REFp2b

[Table 16] PRBS

DQ1_A DQ1_B	PRBS
0	Optional PRBS is supported
1	Optional PRBS is not supported

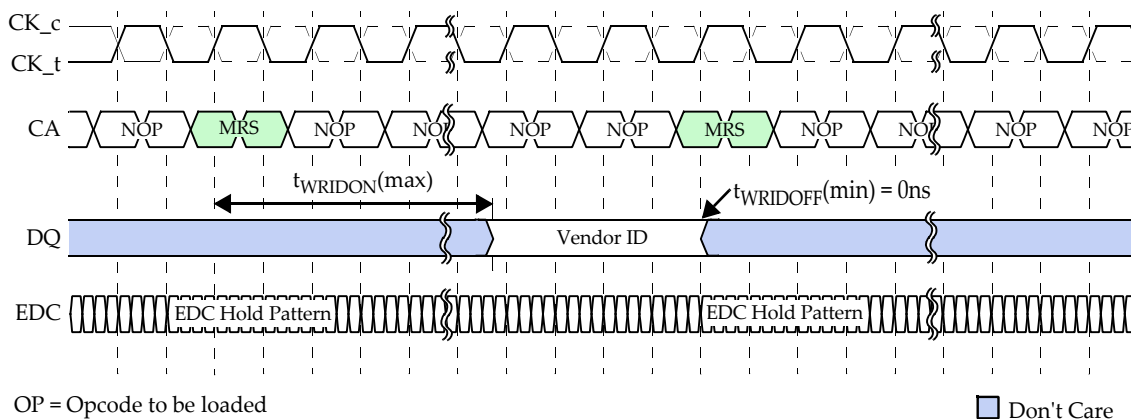


Figure 8. Vendor ID Timing Diagram

4. ADDRESS

4.1 Command And Addressing

GDDR6 SGRAMs use a double data rate command address scheme to reduce balls required on the device. The command and address is packetized on the 10 CA signals (CA[9:0]) over either single cycle or multi cycles depending on the command (see Command Truth Table). For single cycle commands the command and address data is provided to the device in two parts; the first half is latched on the rising edge of CK; the second half is latched on the falling edge of CK. An 11th CA signal (CA10) is for 24Gb and 32Gb densities.

GDDR6 addressing is defined for a single channel with devices having 2 channels/device.

[Table 17] Addressing Scheme

Memory Density	8Gb		12Gb		16Gb		24Gb		32Gb	
	8,589,934,592		12,884,901,888		17,179,869,184		25,769,803,776		34,359,738,368	
Device Organization	x16 mode	x8 mode	x16 mode	x8 mode	x16 mode	x8 mode	x16 mode	x8 mode	x16 mode	x8 mode
Number channels	2		2		2		2		2	
Channel Memory Density	4 Gb		6 Gb		8Gb		12Gb		16Gb	
Channel Density	4,294,967,296		6,442,450,944		8,589,934,592		12,884,901,888		17,179,869,184	
Array Pre-Fetch (bits, per channel)	256	128	256	128	256	128	256	128	256	128
Bank address (per channel)	BA[3:0]		BA[3:0]		BA[3:0]		BA[3:0]		BA[3:0]	
Number Banks (per channel)	16		16		16		16		16	
Row address (per channel)	R[13:0]	R[13:0]	R[13:0]	R[14:0]	R[13:0]	R[14:0]	R[14:0]	R[15:0]	R[14:0]	R[15:0]
Number of Rows (per channel)	16,384	16,384	12,288	24,576	16,384	32,768	24,576	49,152	32,768	65,536
Column address (per channel)	C[5:0]	C[6:0]	C[6:0]	C[6:0]	C[6:0]	C[6:0]	C[6:0]	C[6:0]	C[6:0]	C[6:0]
Page Size (per channel)	2K	2K	4K	2K	4K	2K	4K	2K	4K	2K
Refresh	16K/32ms		16K/32ms		16K/32ms		16K/32ms		16K/32ms	
Refresh period	1.9us		1.9us		1.9us		1.9us		1.9us	

NOTE :

- 1) The column address notation for GDDR6 does not include the lower four address bits as the burst order is always fixed for READ and WRITE commands.
- 2) Row and column address values on the CA bus that are not used for a particular density must be at valid logic levels.
- 3) Page Size = $2^{\text{COLBITS}} * (\text{Prefetch_Size}/8)$ where COLBITS is the number of column address bits.
- 4) Row address range with R[14:13] = 11 for x8 and R[13:12] = 11 for x16 is not present for 12 Gb density.
- 5) Row address range with R[15:14] = 11 for x8 and R[14:13] = 11 for x16 is not present for 24 Gb density

4.2 Command Address Bus Inversion (CABI)

Command Address Bus Inversion (CABI) reduces the power requirements on Command Address (CA) bus, as the number of CA lines driving a LOW level can be limited to 5 in 2 channel mode or 7 in PC mode for 8 Gb, 12 Gb and 16 Gb densities and limited to 6 in 2 channel mode or 8 in PC mode for 24 Gb and 32 Gb densities.

The Command Address Bus Inversion function is associated with the electrical signalling on the CA lines between a controller and the device, regardless of whether the information conveyed on the CA lines is a row or column address, a command, a mode register op-code, a data mask, or any other pattern.

The CABI_n input is an active LOW double data rate (DDR) signal and sampled by the device at the rising edge of CK and the falling edge of CK along with the CA inputs.

Once enabled by the corresponding CABI Mode Register bit, the GDDR6 SGRAM will invert the pattern received on the CA inputs in case CABI_n was sampled LOW, or leave the pattern non-inverted in case CABI_n was sampled HIGH, as shown in Figure 9.

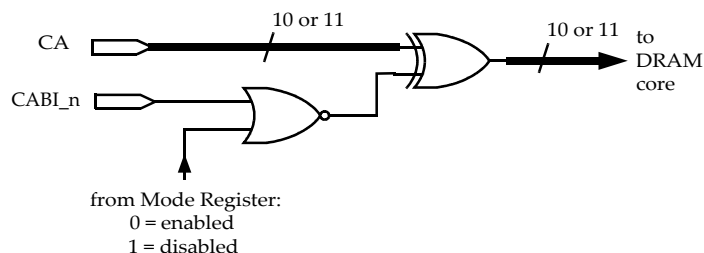


Figure 9. Example of Command Address Bus Inversion Logic

The flow diagram in Figure 10 illustrates the CABI operation. The controller decides whether to invert or not invert the data conveyed on the CA lines. The GDDR6 SGRAM has to perform the reverse operation based on the level of CABI_n. CA input timing parameters are only valid with CABI being enabled and a maximum of 5,6,7 or 8 CA inputs driven LOW depending on the channel configuration.

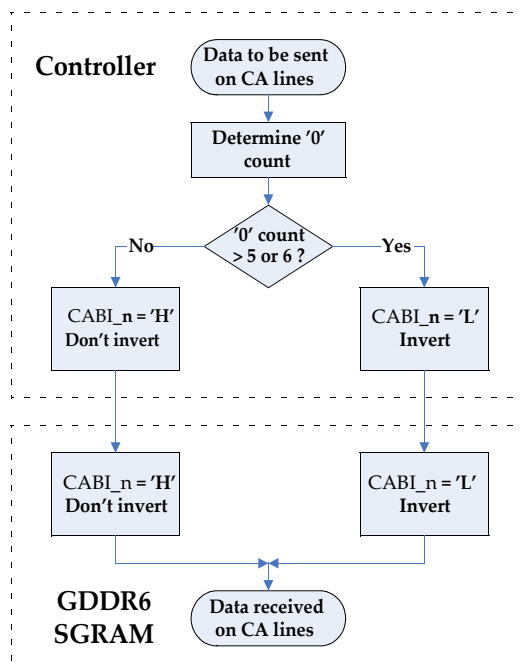


Figure 10. Command Address Bus Inversion (CABI) Flow Diagram

NOTE :
1) Figure shown for 2 channel configuration. In PC mode check for '0' count > 7 or 8.

4.3 Bank Groups

For devices operating at frequencies above a certain threshold (f_{CKBG}), the activity within a bank group must be restricted to ensure proper operation of the device. The 16 banks are divided into four bank groups. The bank groups feature is controlled by OP[11:10] in Mode Register 3 (MR3). The assignment of the banks to the bank groups is shown in Table 18.

[Table 18] Bank Groups

Bank	Addressing				16 banks
	BA3	BA2	BA1	BA0	
0	0	0	0	0	Group A
1	0	0	0	1	
2	0	0	1	0	
3	0	0	1	1	
4	0	1	0	0	Group B
5	0	1	0	1	
6	0	1	1	0	
7	0	1	1	1	
8	1	0	0	0	Group C
9	1	0	0	1	
10	1	0	1	0	
11	1	0	1	1	
12	1	1	0	0	Group D
13	1	1	0	1	
14	1	1	1	0	
15	1	1	1	1	

These bank groups allow the specification of different command delay parameters depending on whether back-to-back accesses are to banks within one bank group or across bank groups as shown in Table 19.

[Table 19] Command Sequences Affected by Bank Groups

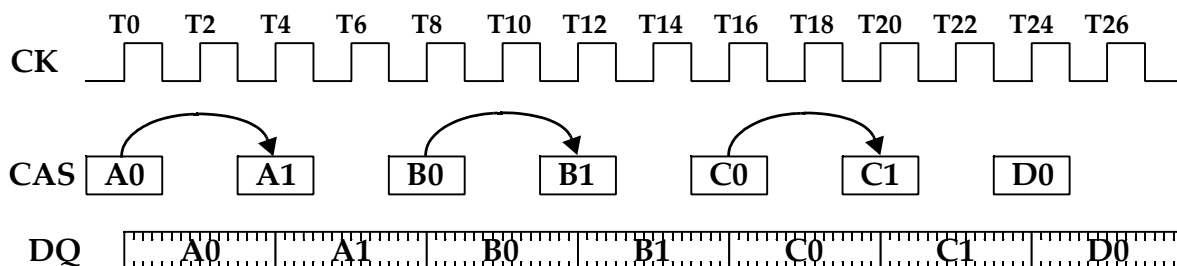
Command Sequence	Corresponding AC Timing Parameter			Notes
	Bank Groups Disabled	Bank Groups Enabled		
		Accesses to a different bank group	Accesses within the same bank group	
ACTIVATE to ACTIVATE	t_{RRDS}	t_{RRDS}	t_{RRDL}	
WRITE to WRITE	t_{CCDS}	t_{CCDS}	t_{CCDL}	
READ to READ	t_{CCDS}	t_{CCDS}	t_{CCDL}	
Internal WRITE to READ	t_{WTRS}	t_{WTRS}	t_{WTRL}	
READ to PRECHARGE	t_{RTPS}	-	t_{RTPL}	1

NOTE :

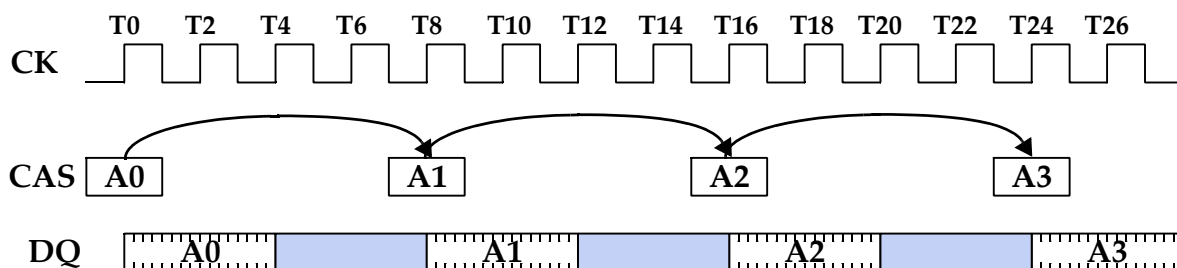
1) Parameters t_{RTPS} and t_{RTPL} apply only when READ and PRECHARGE go to the same bank; use t_{RTPS} when BG are disabled, and t_{RTPL} when BG are enabled.

Figure 11 shows back-to-back column accesses based on t_{CCDL} and t_{CCDS} parameters.

Example 1 (Bank Groups disabled): $t_{CCDS} = 2 * t_{CK}$



Example 2: (Bank Groups enabled): $t_{CCDL} = 4 * t_{CK}$



Example 3: (Bank Groups enabled): $t_{CCDS} = 2 * t_{CK}$

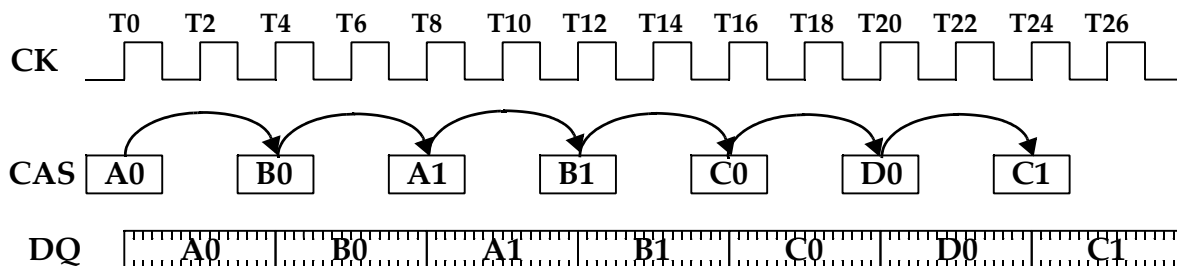


Figure 11. t_{CCDS} and t_{CCDL}

- NOTE :**
- 1) Column accesses (CAS commands) are to open banks, and t_{RCD} has been met.
 - 2) $RL = 0$ assumed for illustration purposes.
 - 3) Ax, Bx, Cx, Dx: accesses to bank groups A, B, C or D, respectively.
 - 4) With bank groups enabled, t_{CCDL} is $3 t_{CK}$ or $4 t_{CK}$, as programmed in MR3.

5. TRAINING

5.1 Interface Training Sequence

Due to the high data rates of GDDR6, it is recommended that the interfaces be trained to operate with the optimal timings. GDDR6 SGRAM has features defined which allow for complete and efficient training of the I/O interface without the use of the device's memory array. The interface trainings are required for normal DRAM functionality unless deemed optional by the DRAM vendor or unless running in lower frequency modes as described in the low frequency section. Interface timings will only be guaranteed after all required trainings have been executed.

A recommended order of training sequences has been chosen based on the following criteria:

The Command Address (CA) training must be done first to allow full access to the Mode Registers. (MR15 for CA training is a special single data rate mode register guaranteed to work without training). CA input timing shall function without training as long as $t_{AS/H}$ are met.

WCK2CK training should be done before read training because a shift in WCK relative to CK will cause a shift in all READ timings relative to CK.

READ training should be done before WRITE training because optimal WRITE training depends on correct READ data. As part of WRITE training, the host not only has the ability to find the data-eye optimal position in the horizontal direction but also the ability to adjust VREFD levels using the mode registers to find the data-eye optimal position in the vertical direction.

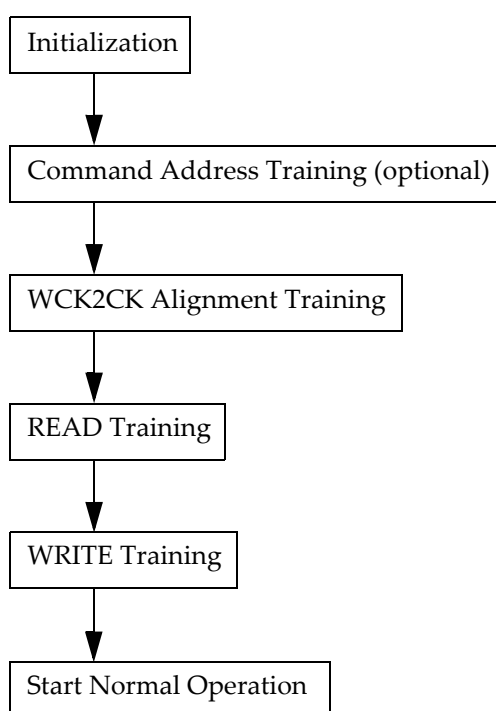


Figure 12. Interface Training Sequence

5.2 Command Address Training

GDDR6 SGRAMs provide a means for Command Address (CA) bus interface training. The controller may use the CA training mode to improve the timing margins on the CA bus.

CA training mode is entered via the CADT bits in Mode Register 15 (MR15). Even though CA9 and CA8 are sampled on both rising and falling edge of CK, the command encoding allows relaxed timing to guarantee the setup and hold times can be met even though the CA bus timing has not yet been trained. When issuing an MRS command the increase in the CA8 timing around the rising edge of clock will lead to one of three different NOP encodings depending on the value on CA8 during the falling edges on either side of the clock rising edge. All NOPs are treated equally.

CA training mode uses an internal bridge between the device's CA inputs and DQ/DBI_n/EDC outputs. It also uses a special COMMAND ADDRESS TRAINING CAPTURE (CAT) command that is encoded using the SDR pin CKE_n. Once the device is placed into CA training mode, the only commands that can be interpreted use CKE_n = HIGH and are the CAT command, a CA training mapping change or CA training exit. When CKE_n = LOW, the CA inputs are do not care, no command is decoded and thus will be treated as a NOP. Once the CA training mode has been entered and t_{MOD} has been met, the CA values registered coincident with the CAT command will be transmitted to the controller on DQ/DBI_n/EDC. The controller is then expected to compare the CA pattern received to the expected value and to adjust the CA transmit timing accordingly. The procedure may be repeated using different CA patterns and interface timings. No WCK clock is required for this special CA training mode. The latched CA values are driven out asynchronously.

The CABI_n signal can be trained directly by using MR15 OP[3:2] = 11 or indirectly as part of a pass with MR15 OP[3:2] = 10 or 01 by enabling the CABI in MR1 OP10. When enabled by the CABI bit in Mode Register 1, command address bus inversion (CABI) is effective during CA training mode. It is suggested to train CABI_n's interface timing together with the other CA lines. CABI is enabled by default on power up or subsequent reset. If CABI is disabled, CABI_n (input) is ignored and CABI_n (output) is undefined during CA training.

CA training uses multiple passes to train all the CA signals for the rising and falling CK edge setup and hold times. Table 21 defines the correspondence between CA bits and DQ/DBI_n/EDC for all three passes.

When in CA training mode, two cycles of CKE_n = HIGH allows either the change of the mapping while in CA training mode or the exit of CA training mode. The first cycle of CKE_n = HIGH will be interpreted as a CAT command. In the case of a CA training exit, the first cycle of CKE_n = HIGH will be treated as a dummy CAT command as the CA training exit may disable the outputs before the pattern sent to the CA inputs is output on the data bus as t_{ADZ} may be shorter than t_{ADR} and should not be considered a valid training result. The second cycle will be interpreted as either an exit if MR15 OP[3:2] = 00 or a change to the mapping. While in CA training mode, t_{AS}/t_{AH} must be met for the second cycle of CKE_n = HIGH.

Devices configured to x8 mode reflect the CA on the one byte being enabled in that mode, specifically byte 0 in Channel A and byte 1 in Channel B. Devices configured to x16 mode reflect the CA on the same DQ as in x8 mode; in addition they are allowed but not required to reflect the CA on those bytes that are disabled in x8 mode, specifically byte 1 in Channel A and byte 0 in Channel B, thus reflecting each CA twice.

The timing diagram in Figure 13 illustrates the typical command sequence in CA training mode. The DQ/DBI_n/EDC output drivers are enabled as long as the CADT bits are set to either 01, 10 or 11. The minimum spacing between consecutive CAT commands is $2 t_{CK}$. The minimum spacing between consecutive CA training passes is t_{MOD} as shown in Figure 13. t_{MOD} is also to be met before the next valid command after the CA training exit.

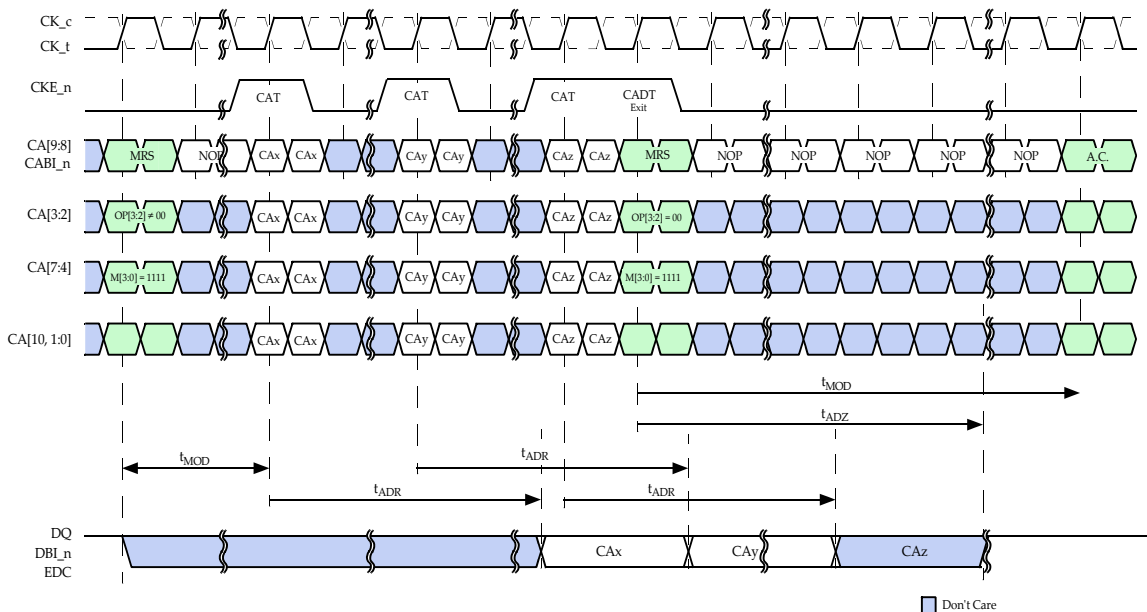


Figure 13. Command Address Training Timing - Single Pass

- NOTE :**
- 1) CAT command encoding: CKE_n = H, CA[10, 9:0] = V. A.C. = Any Valid Command
 - 2) CA inputs are sampled on rising edge of CK and/or falling edge of CK depending on MR15 OP [3:2]. OP3=0, OP2=1 mapping is shown as an example
 - 3) DQs/DBI_n/EDC are enabled when CADT bits in Mode Register 15 set to 01, 10 or 11 (Enter Command Address Training Mode)
DQs/DBI_n/EDC are disabled after t_{ADZ} when CADT is exited (CKE_n = H for 2 cycles and MR15 OP[3:2] = 00 on the second cycle)
 - 4) During CA training the CAT is the only valid command with other commands not decoded and thus treated as a NOP
 - 5) The initial MRS command to MR15 to enter CA training is shown as DDR, however as timing cannot be guaranteed the command supports relaxed setup and hold timing around the rising edge of CK. If two back-to-back MR15 MRS commands are issued or seen by the DRAM then only the first will be registered. The same two back-to-back MR15 MRS commands are supported at a CA training pass change or at CA training exit.
 - 6) Figure shown with CABI enabled. CABI_n is Don't Care if CABI is disabled.
 - 7) CA10 is only present in 24 Gb and 32 Gb densities.

[Table 20] AC timings in Command Address Training Mode

Parameter	Symbol	Min	Max	Unit
CAT command to data out delay	t _{ADR}	-	2tCK + 10ns	ns
CADT off to DQ/DBI_n in ODT state delay	t _{ADZ}	-	1tCK + 10ns	ns

(VDD=1.35V)

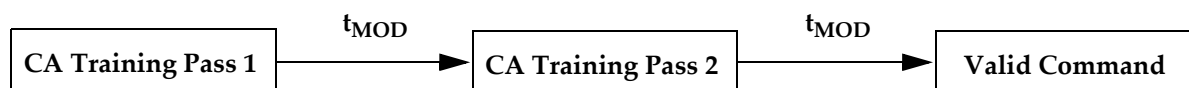
5.2.1 Command Address Training with Self Refresh (CADT Self Refresh)

GDDR6 DRAMs support the ability to enable an active Self Refresh mode, here in after CADT Self Refresh mode, to maintain the DRAM contents and enable the required receivers and transmitter that are normally powered down in Self Refresh mode to allow the CA bus to be trained. To enable CADT Self Refresh mode, the CADT SRF register (MR2 OP10) should be set to 1 prior to entering CA training mode with MR15 OP[3:2]. By default CADT Self Refresh will not be enabled when CA training mode is entered. Once the CADT SRF register is set to 1 when MR15 OP[3:2] is set to something other than 00 to enter CA training mode, the DRAM will also enter CADT Self Refresh mode. CA training with Self Refresh does not support Hibernate nor VDDQ off modes and therefore those two Mode Registers are ignored when entering CADT Self Refresh mode.

CA Training in Self Refresh works exactly the same as in normal CA training with the exception of exit from CA Training. When CA training mode is exited with two cycles of CKE_n = HIGH and MR15 OP[3:2] = 00 then the device will also exit CADT Self Refresh. After the device has exited CA training with Self Refresh, t_{XS} is required to be met before another valid command as shown in Figure 14.

If multi pass training is planned, the two cycles of CKE_n = HIGH and MR15 OP[3:2] = 01, 10 or 11 will leave the DRAM in the CADT Self Refresh state and change the mapping allowing an additional pass after t_{MOD} is met. The current consumption in CADT Self Refresh mode will be higher than in actual Self Refresh mode because the CK clock, CA and data interface is kept in an active state during CA training.

CA Training without Self Refresh (CADT Mode)



CA Training with Self Refresh (CADT Self Refresh Mode)

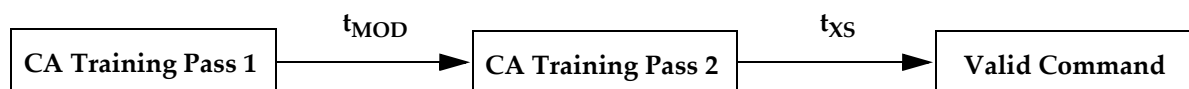


Figure 14. Multi pass CA Training Timings

An example of one use of CA Training is shown in Figure 15 and Figure 16. The first figure shows an example that sets the CADT SRF register bit in low frequency where CA bus timing is assumed to be met without prior training. The frequency is changed to a higher frequency using Self Refresh and then at the higher frequency two passes of CA training before the exit of CA Training and CADT Self Refresh. The second figure shows the same example CADT sequence without CADT Self Refresh.

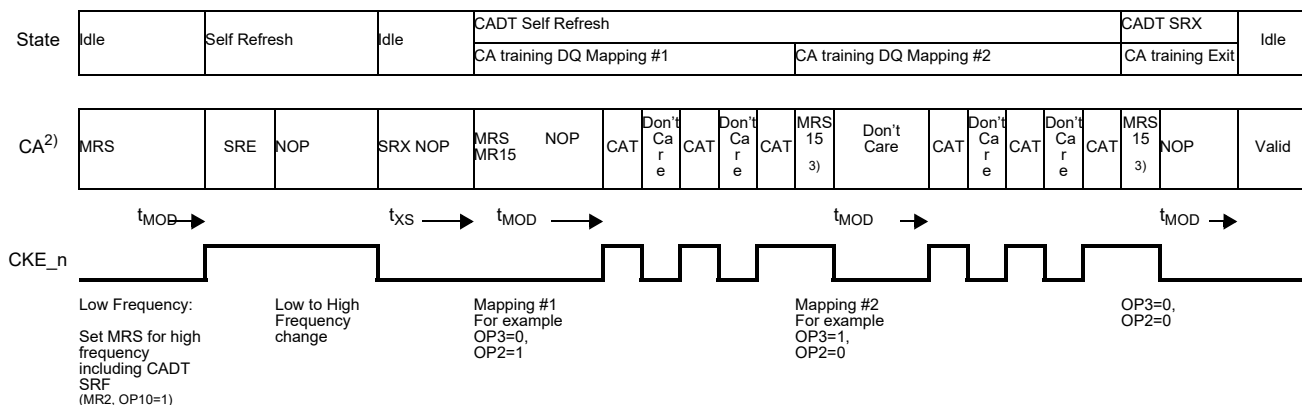


Figure 15. Example of CADT Self Refresh - Multi pass

- NOTE :**
- 1) CA training using 2 passes while in Self Refresh is shown as an example.
 - 2) See command truth table for detailed encoding of the Commands shown on the CA bus.
 - 3) The second cycle of CKE_n = H signals the DRAM of a mapping change or CA training exit depending on the value of MR15 OP[3:2]. Two back-to-back MR15 MRS commands are supported at CA training entry, pass change or exit as timing cannot be guaranteed.

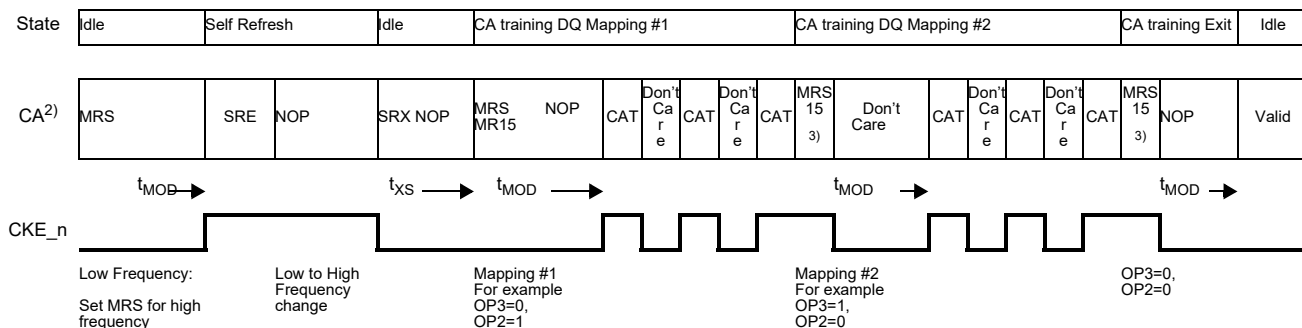


Figure 16. Example of CA Training - Multi pass

- NOTE :**
- 1) CA training using 2 passes with a frequency change is shown as an example.
 - 2) See command truth table for detailed encoding of the Commands shown on the CA bus.
 - 3) The second cycle of CKE_n = H signals the DRAM of a mapping change or CA training exit depending on the value of MR15 OP[3:2]. Two back-to-back MR15 MRS commands are supported at CA training entry, pass change or exit as timing cannot be guaranteed.

[Table 21] CA to Data Mapping in CA Training Mode

MR15 OP3 = 0 OP2 = 1										
Output	CA inputs registered at rising edge of CK									
	CA9	CA8	CA7	CA6	CA5	CA4	CA3	CA2	CA1	CA0
CH A	EDC0	DBI0_n	DQ7	DQ6	DQ5	DQ4	DQ3	DQ2	DQ1	DQ0
CH B	EDC1	DBI1_n	DQ15	DQ14	DQ13	DQ12	DQ11	DQ10	DQ9	DQ8

MR15 OP3 = 1 OP2 = 0										
Output	CA inputs registered at falling edge of CK									
	CA9	CA8	CA7	CA6	CA5	CA4	CA3	CA2	CA1	CA0
CH A	EDC0	DBI0_n	DQ7	DQ6	DQ5	DQ4	DQ3	DQ2	DQ1	DQ0
CH B	EDC1	DBI1_n	DQ15	DQ14	DQ13	DQ12	DQ11	DQ10	DQ9	DQ8

MR15 OP3 = 1 OP2 = 1		
Output	CA inputs registered at rising edge of CK	
	CABI_n	CA10
CH A	DQ7	DQ6
CH B	DQ15	DQ14

Output	CA inputs registered at falling edge of CK	
	CABI_n	CA10
CH A	DQ5	DQ4
CH B	DQ13	DQ12

5.3 WCK2CK Training

The purpose of WCK2CK training is to align the DATA WCK clock with the COMMAND and ADDRESS (CA) CK clock to aid in the device's internal data synchronization between the logic clocked by CK and WCK. This will help to define both READ and WRITE latencies between the GDDR6 SGRAM and memory controller. WCK2CK training mode is controlled via MRS. The host can read the Vendor ID for info on the WCK characteristics such as WCK Granularity, WCK Frequency and the Internal WCK architecture to ensure the DRAM is configured properly.

Before starting WCK2CK training, the following conditions must be met:

- CK clock is stable and toggling
- The timing of all CA signals must be guaranteed
- PLL on/off (MR1 OP7) and PLL delay compensation enable (MR7 OP2) are set to desired mode
- The desired WCK2CK alignment point (MR7, OP0) and WCK Ratio (MR10 OP9) are selected.
- 2 Mode Register bits for internal WCK Inversion / Quad Shift (MR10, bits OP[7:4]) must be set to a known state
- All banks are idle and no other command execution is in progress

WCK2CK training must be done after any of the following:

- Device initialization
- Any RLmrs, WLmrs, CRCRL or CRCWL latency change
- CK and WCK frequency changes
- PLL on/off (MR1 OP7) and PLL delay compensation mode (MR7 OP2) changes
- Change of the WCK2CK alignment point (MR7 OP0) or WCK Ratio (MR2 OP11)
- Self Refresh exit or exit from Power-Down when LP2 (OP1 in MR5) is set

Figure 17 and Figure 18 show example WCK2CK training sequences. WCK2CK training is entered via MRS by setting OP8 in MR10. This will initiate the WCK divider circuits associated with WCK0 and WCK1 clocks in the case of WCK/byte. In case the divider circuits on each byte of the channel are not in phase, which is indicated by opposite or multiple U.I. Offset "early/late" phases on the EDC signals, they may be put into phase by using the WCK INV/Quad shift MR bits to either invert the internal WCK (2UI shift if using internal quarter-rate WCK, 4UI shift if using internal eight-rate WCK) or Quad shift the internal WCK (2UI shift if using internal eighth-rate WCK, not valid with internal quarter-rate WCK). Alternatively, the WCK clocks may be put into a stable inactive state for this initialization event to aid in resetting all dividers to the same output phase as shown in Figure 18. The host is required to restart the WCK clocks in a way that all clock edges meet the WCK clock input specification. Otherwise, the WCK divider circuits for both WCK0 and WCK1 might again have opposite alignment (Internal Quarter data rate) or out of phase alignment (internal eighth data rate). The use of this WCK2CK training method is restricted to operating frequencies up to $f_{WCKSTOP}$. Figure 20 illustrates the difference between a device that uses an internal quarter data rate and a device that uses an internal eighth data rate for the internal WCK divider circuit.

Figure 19 illustrate how the WCK phase information is derived. The phase detectors (PD) sample the internally divided WCK clocks. Only one sample point is shown in the figure for clarity. In reality, when WCK2CK training mode is enabled, a sample will occur every t_{CK} and will be translated to the EDC signals accordingly. If the divided WCK clock arrives early, then the EDC pin outputs a HIGH during the time interval specified in Figure 19. If the divided WCK clock arrives late, then the EDC pin outputs a LOW during the time interval specified in Figure 19. This is shown in Table 22. Finally, if the divided WCK and CK clocks are perfectly aligned at the PD, the EDC signals are indeterminate.

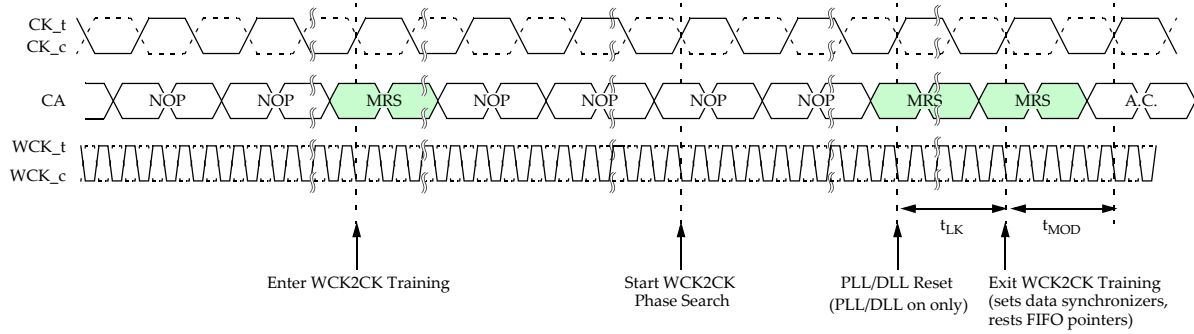


Figure 17. Example WCK2CK Training Sequence

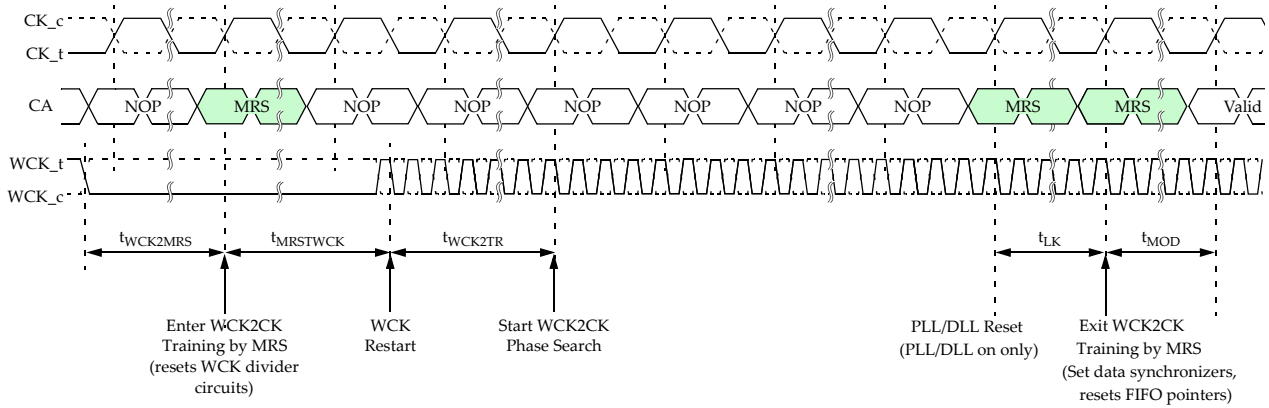


Figure 18. Example WCK2CK Training Sequence with WCK Stopping

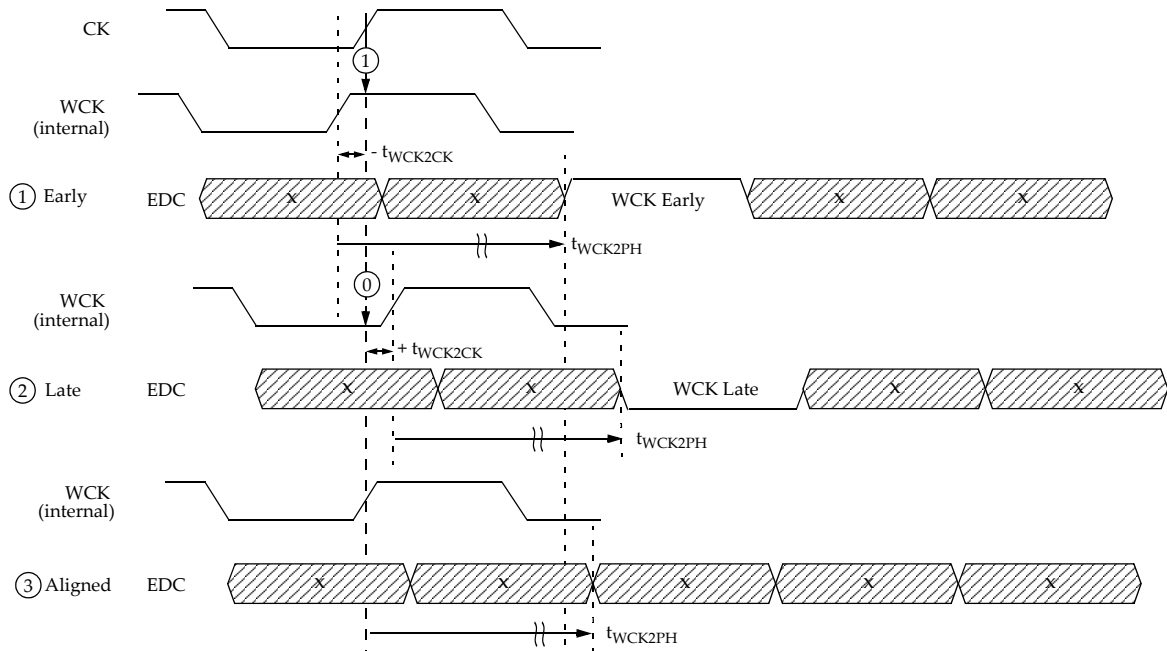


Figure 19. EDC pin Behavior for WCK2CK Training with Internal WCK

NOTE :
 1) Example shows an internal eighth data rate WCK.

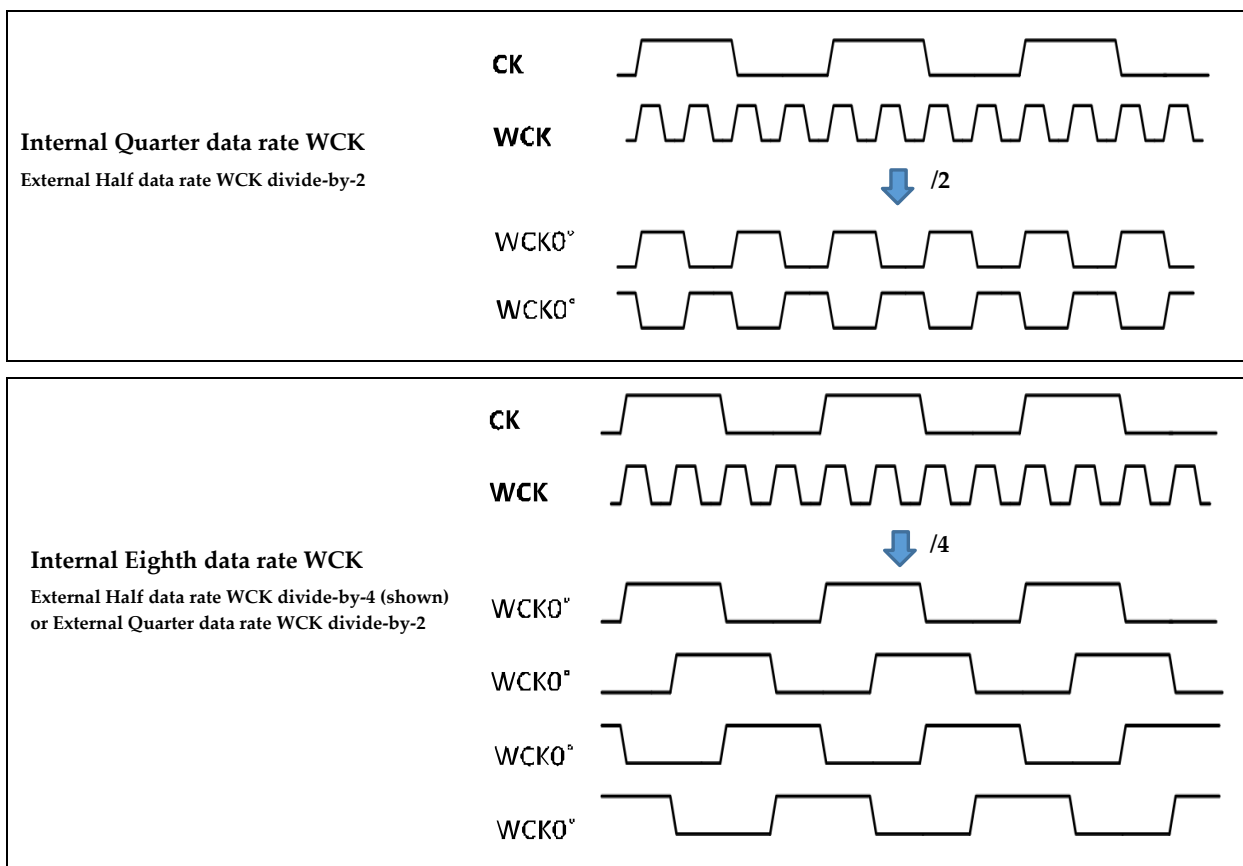


Figure 20. Internal WCK Divider Circuit

NOTE :
 1) External Quarter data rate WCK divide-by-4 is not a valid architecture for a WCK Divider.
 2) WCK0° represents the possible positions of the internal divided WCK clock.

[Table 22] Phase Detector and EDC behavior

Internal Quarter data rate or Internal Eighth data rate value sampled by CK	WCK2CK Phase	Data on EDC	Action
'HIGH'	'Early'	HIGH	Increase Delay on WCK
'LOW'	'Late'	LOW	Decrease Delay on WCK

The ideal alignment is indicated by the phase detector output transitioning from “early” to “late” when the delay of the WCK phase is continuously increased. The WCK phase range for ideal alignment is specified by the parameter $t_{WCK2CKPIN}$ in the vendor’s datasheet; the value(s) vary with the PLL/DLL mode (on or off) and the selected alignment point.

If enabled, the PLL/DLL shall not interfere in the behavior of the WCK2CK training. Significantly moving the phase and/or stopping the WCK during training may disturb the PLL/DLL. It is required to perform a PLL/DLL reset after the WCK2CK training has determined and selected the proper alignment between WCK and CK clocks. The PLL/DLL lock time t_{LK} must be met before exiting WCK2CK training to guarantee that the PLL/DLL is in lock such that the data synchronizers are set upon WCK2CK training exit.

WCK2CK training is exited via MRS by resetting OP8 in MR10. For proper reset of the data synchronizers it is required that the WCK and CK clocks are aligned within $t_{WCK2CKSYNC}$ at the time of the WCK2CK training exit.

After exiting WCK2CK training mode, the WCK phase is allowed to further drift from the ideal alignment point by a maximum of t_{WCK2CK} (e.g., due to voltage and temperature variation). Once this WCK phase drift exceeds $t_{WCK2CK(min)}$ or $t_{WCK2CK(max)}$, it is required to repeat the WCK2CK training and realign the clocks. The values of t_{WCK2CK} and $t_{WCK2CKSYNC}$ may vary with the WCK ratio as defined in the AC timing table.

5.3.1 WCK2CK Auto Synchronization

When WCK2CK automatic synchronization mode is enabled using MR7 OP4, WCK2CK training can be limited to meeting the $t_{WCK2CKSYNC}$ specification and issuing two WCK2CK MRS for WCK 2CK training entry and exit. The PLL/DLL sequence is not affected by this mode. The use of WCK2CK automatic synchronization mode is restricted to operating frequencies up to $f_{CKAUTOSYNC}$ as described in vendor's datasheets.

Table 23 describes WCK2CK training methods for different frequency ranges. Each Frequency range is vendor specific. Normal mode of WCK2CK training are described in Table 23. Divider initialization can be done by training with WCK2CK inversion, WCK2CK stopping, or WCK2CK auto-sync. If the user wants to use WCK2CK stop for divider initialization instead of WCK2CK auto-sync, the user must not set the WCK2CK auto-sync. Below middle frequency, the combined use of PIN and WCK2CK auto-sync modes can minimize WCK2CK training time.

[Table 23] An example of WCK2CK training simplified for Normal mode

Frequency (Vendor Specific)	High Frequency (i.e., 12Gbps)	Middle Frequency (i.e., 4Gbps)	Low Frequency (i.e., 800Mbps)
WCK2CK alignment mode	Normal	Normal	Normal
Phase Search	Required	Required	No ¹⁾

NOTE :

1) The divided WCK_t/WCK_c should be aligned CK_t/CK_c by WCK2CK Auto Synchronization or WCK stop mode.

The following examples describe the WCK2CK training in more detail.

Example 1: outline of a basic WCK2CK training sequence without WCK clock stop:

- 1) Enable training mode via MRS and wait t_{MOD}
- 2) Sweep and observe the phase independently for WCK0 on EDC0 and WCK1 on EDC1;
in case the internal divider circuits are at opposite phase use either the WCK inversion / quad shift bits to flip/shift one of the WCK divider circuits
- 3) Adjust the WCK phase independently for WCK0 and WCK1 or WCK0 for WCK/word to the optimal point ("ideal alignment")
- 4) Issue a PLL/DLL reset and wait for t_{LK} (PLL/DLL on mode only)
- 5) While all WCK and CK are aligned, exit WCK2CK training mode via MRS
- 6) Wait t_{MOD} for the reset of data synchronizers

Example 2: outline of a basic WCK2CK training sequence with WCK clock stop:

- 1) Stop WCK clocks with WCK0_t/WCK1_t LOW and WCK0_c/WCK1_c HIGH
- 2) Wait $t_{WCK2MRS}$ for internal WCK clocks to settle
- 3) Enable training mode via MRS and wait $t_{MRSTWCK}$ for divider circuits to reset
- 4) Start WCK clocks without glitches (divider circuits remain in sync)
- 5) Wait t_{WCK2TR} for internal WCK clocks to stabilize
- 6) Sweep and observe the phase independently for WCK0 on EDC0 and WCK1 on EDC1 or WCK0 for WCK/word;
adjust the WCK phase to the optimal point ("ideal alignment")
- 7) Issue a PLL/DLL reset and wait t_{LK} (PLL/DLL on mode only)
- 8) While all WCK and CK are aligned, exit WCK2CK training mode via MRS
- 9) Wait t_{MOD} for the reset of data synchronizers

Example 3: WCK2CK training sequence for configurations with 2 devices sharing their WCK clocks:

- 1) Enable training mode for both DRAMs via MRS and wait t_{MOD}
- 2) For both DRAMs sweep and observe the phase independently for WCK0 on EDC0 and WCK1 on EDC1;
in case the internal divider circuits are at opposite phases use either the WCK inversion / quad shift bits to flip/shift one of the WCK divider circuits;
use MREA and MREB bits in MR15 (soft chip select) to explicitly direct the MRS command for this operation to one of the two devices.
- 3) Sweep and observe the phase on the first device; store the setting for the optimal WCK phase.
- 4) Sweep and observe the phase on the second device; store the setting for the optimal WCK phase.
- 5) Sweep WCK phase to the midpoint of both device's optimal settings
- 6) Issue a PLL/DLL reset and wait for t_{LK} (PLL/DLL on mode only)
- 7) While all WCK and CK are aligned, exit WCK2CK training mode via MRS
- 8) Wait t_{MOD} for the reset of data synchronizers

READ and WRITE latency timings are defined relative to CK. Any offset in WCK and CK at the balls and/or the phase detector will be reflected in the latency timings. The parameters used to define the relationship between WCK and CK are shown in Figure 21. For more details on the impact on READ and WRITE timings see the OPERATIONS section.

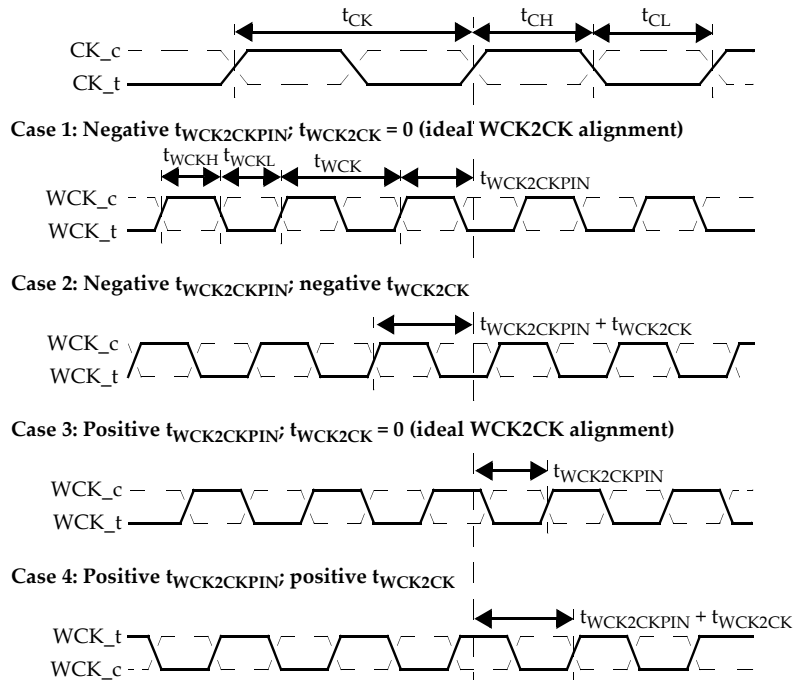


Figure 21. WCK2CK Timings for WCK QDR Ratio

NOTE :
 1) $t_{WCK2CKPIN}$ and t_{WCK2CK} parameter values could be negative or positive numbers, depending on the selected WCK2CK alignment point, PLL-on-or PLL-off mode operation and design implementation. They also vary across PVT. WCK2CK training is required to determine the correct WCK-to-CK phase for stable device operation.

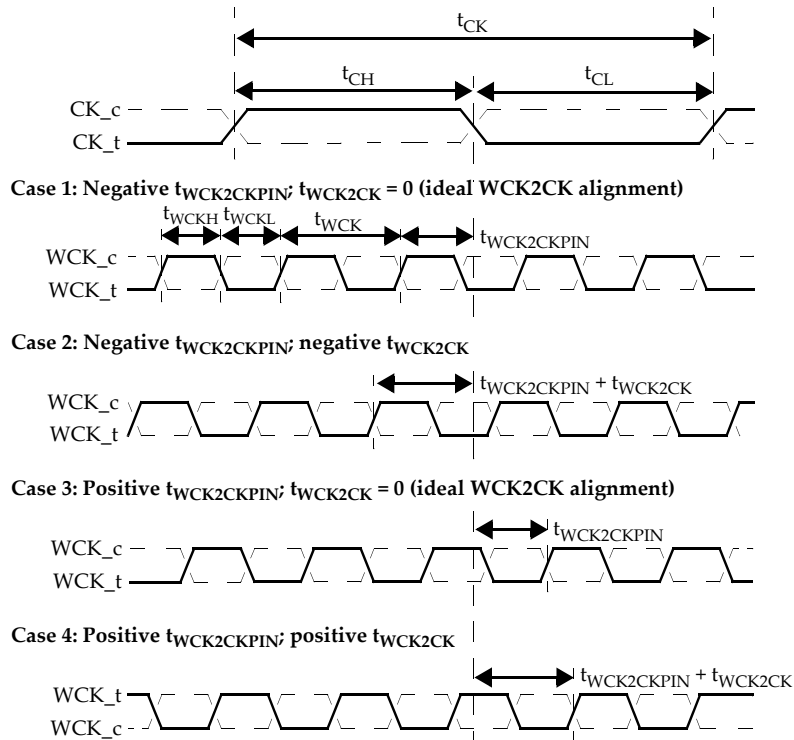


Figure 22. WCK2CK Timings for WCK DDR Ratio

NOTE :
 1) $t_{WCK2CKPIN}$ and t_{WCK2CK} parameter values could be negative or positive numbers, depending on the selected WCK2CK alignment point, PLL-on-or PLL-off mode operation and design implementation. They also vary across PVT. WCK2CK training is required to determine the correct WCK-to-CK phase for stable device operation.

5.4 Read Training

Read training allows the memory controller to find the data-eye optimal position (symbol training) and burst frame location (frame training) for each high-speed output of the device. Each pin (DQ[15:0], DBI[1:0]_n, EDC[1:0]) can be individually trained during this sequence.

For Read Training the following conditions must be true:

- at least one bank is active, or a REFab must be in progress and OP2 in Mode Register 5 (MR5) is set to 0 to allow training during a REFab (to disable this special refresh enabling of the WCK clock tree an ACT command must be issued, or the device must be set into power-down or self refresh mode)
- WCK2CK training must be complete
- the PLL/DLL must be locked, if enabled
- RDBI and WDBI must be enabled prior to and during Read Training if the training shall include DBI_n. RDCRC and WRCRC must be enabled prior to and during Read Training if the training shall include the EDC signals.

The following commands are associated with Read Training:

- LDFF to preload the Read FIFO;
- RDTR to read a burst of data directly out of the Read FIFO.

Neither LDFF nor RDTR access the memory core. No MRS is required to enter Read Training.

Figure 23 shows an example of the internal data paths used with LDFF and RDTR. Table 24 lists AC timing parameters associated with Read Training.

[Table 24] LDFF and RDTR TIMINGS

PARAMETER	SYMBOL	VALUES		UNIT	NOTES
		MIN	MAX		
ACTIVATE to LDFF command delay	t_{RCDLTR}	$1t_{CK} + 4$	–	ns	
ACTIVATE to RDTR command delay	t_{RCDRTR}	$1t_{CK} + 4$	–	ns	
REFab to RDTR or WRTR command delay	t_{REFTR}	$1t_{CK} + 12$	–	ns	
RDTR to RDTR command delay	t_{CCDS}	2	–	t_{CK}	1
LDFF to LDFF command cycle time	t_{LTLTR}	4	–	t_{CK}	
LDFF15 to RDTR command delay	t_{LTRTR}	4	–	t_{CK}	
READ or RDTR to LDFF command delay	t_{RDILT}	$CL_{mrs} + 5$	–	t_{CK}	

(VDD = 1.35V)

NOTE :

- 1) Use t_{CCDS} for gap-less consecutive RDTR commands regardless whether Bank Groups is enabled or not.

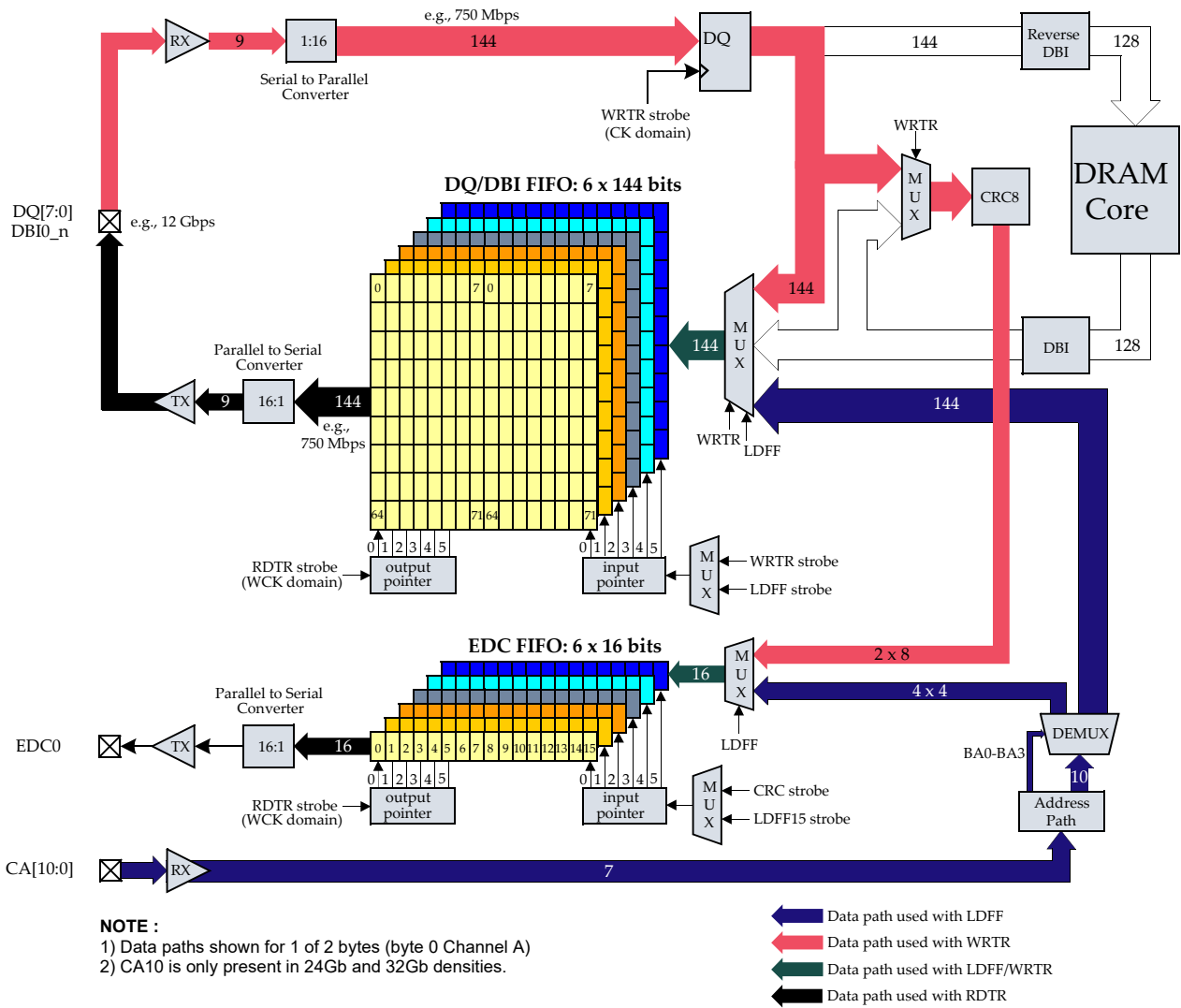


Figure 23. Data Paths used for Read and Write Training

5.4.1 LDFF Command

The LDFF command (Figure 24) is used to securely load data to the device's Read FIFOs via the CA bus. The READ FIFO has a fixed depth of 6 bursts and thus can store a 6 x 16 = 96 U.I. long bit pattern uniquely to every DQ, DBI_n and EDC pin within a byte.

Sixteen LDFF commands are required to fill one FIFO stage; each LDFF command loads one burst position, and B[3:0] conveyed on CA[7:4] select the burst position from 0 to 15.

The data pattern D[9:0] for DQ[7:0], DBI0_n, and EDC0 is conveyed on CA[5:0]; the data are internally replicated to both bytes in a channel, as shown in Figure 25.

LDFF loads the DBI FIFO when WDBI and RDBI are enabled in the Mode Register. It also loads the EDC FIFO regardless of the WRCRC and RDCRC Mode Register bits, and no CRC is calculated; however, RDBI and RDCRC must be enabled to read the DBI and EDC bits, respectively, with the RDTR command.

If the EDC Mode is set to Half data rate in MR2 OP8, the pattern for the EDC pin provided with the LDFF command must be the same for the even and next odd burst position (e.g. burst positions 0-1, 2-3, ... , 14-15). If retrieved from the EDC FIFO using the RDTR command, such a pattern will appear as a half data rate.

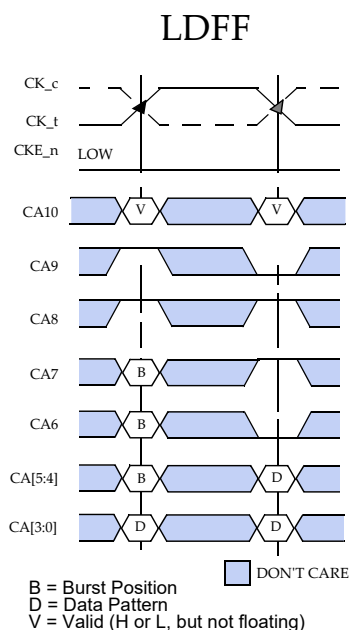


Figure 24. LDFF Command

5.4.2 RDTR Command

A RDTR burst is initiated with a RDTR command as shown in Figure 26. No bank or column addresses are used as the data is read from the internal READ FIFO, not the array. The length of the burst initiated with a RDTR command is sixteen. There is no interruption nor truncation of RDTR bursts. The FIFO access is suppressed when CE bit is LOW. In two channel mode CE shall be driven HIGH.

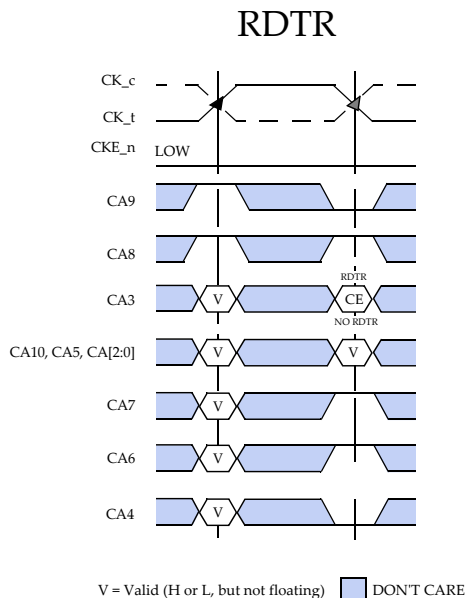


Figure 26. RDTR Command

A RDTR command may only be issued when a bank is open or a refresh is in progress and bit OP2 in MR5 is set to 0 to allow training during REFAb.

RDBI and RDCRC must be enabled to read the DBI and EDC bits, respectively, with the RDTR command. If not set, DBI_n will remain in ODT state, and the EDC signals will drive the EDC hold pattern.

An amount of RDTR commands greater than the FIFO depth (= 6) is allowed and shall result in a looping of the FIFO's data output.

During RDTR bursts, the first valid data-out element will be available after the Read latency (RL). The latency is the same as for READ. The data on the EDC signals comes with additional CRC latency (t_{CRCRD}) after the RL.

Upon completion of a burst, assuming no other RDTR command has been initiated, all DQs and DBI_n will drive a value of '1' and the ODT will be enabled at a maximum of $1 t_{CK}$ later. The drive value and termination value may be different due to separately defined calibration offsets. If the ODT is disabled, the signals will drive Hi-Z.

Data from any RDTR burst may be concatenated with data from a subsequent RDTR command. A continuous flow of data can be maintained. The first data element from the new burst follows the last element of a completed burst. The new RDTR command should be issued after the first RDTR command according to the t_{CCDS} timing.

A WRTR can be issued any time after a RDTR command as long as the bus turn around time t_{RTW} is met.

The total number of RDTR commands modulo FIFO depth must be equal to total number of WRTR commands modulo FIFO depth when used in conjunction with WRTR. No READ or WRITE commands are allowed between WRTR and RDTR.

The total number of RDTR commands modulo FIFO depth must be equal to the total number of LDFF commands to burst position 15 modulo FIFO depth when used in conjunction with LDFF. No READ or WRITE commands are allowed between LDFF and RDTR.

5.5 WRITE Training

Write training allows the memory controller to find the data-eye optimal position (symbol training) and burst frame location (frame training) for each high-speed input of the device. Each signal pin (DQ[15:0] and DBI[1:0]_n) can be individually trained during this sequence.

For Write Training the following conditions must be true:

- at least one bank is active, or a REFab must be in progress and bit OP2 in Mode Register 5 (MR5) is set to 0 to allow training during a REFab (to disable this special REF enabling of the WCK clock tree an ACT command must be issued, or the device must be set into power-down or self refresh mode)
- the PLL/DLL must be locked, if enabled.
- WCK2CK training should be complete
- Read training should be complete
- RDBI and WDBI must be enabled prior to and during Write Training if the training shall include DBI_n. RDCRC and WRCRC must be enabled prior to and during Write Training if the training shall include the EDC signals.

The following commands are associated with Write Training:

- WRTR to write a burst of data directly into the Read FIFO;
- RDTR to read a burst of data directly out of the Read FIFO.

Neither WRTR nor RDTR access the memory core. No MRS is required to enter Write Training.

Figure 23 shows an example of the internal data paths used with WRTR and RDTR. Figure 28 shows a typical Write training command sequence using WRTR and RDTR. Table 25 lists AC timing parameters associated with WRITE Training.

[Table 25] WRTR and RDTR Timings

PARAMETER	SYMBOL	VALUES		UNIT	NOTES
		MIN	MAX		
ACTIVATE to WRTR command delay	t_{RCDWTR}	1tCK + 8	–	ns	
ACTIVATE to RDTR command delay	t_{RCDRTR}	1tCK + 4	–	ns	
REFab to RDTR or WRTR command delay	t_{REFTR}	1tCK + 12	–	ns	
RD/WR bank A to RD/WR bank B command delay different bank groups	t_{CCDS}	2	–	t _{CK}	1
WRTR to RDTR command delay	t_{WTRTR}	WLmrs + 4	–	t _{CK}	
WRITE to WRTR command delay	t_{WRWTR}	2	–	t _{CK}	
READ or RDTR to WRITE or WRTR command delay	t_{RTW}	CLmrs + BL/4 - WLmrs + (bus turn around time)/tCK + 3	–	ns	2

(VDD = 1.35V)

NOTE :

- 1) Use t_{CCDS} for gap-less consecutive WRTR and RDTR commands regardless whether Bank Groups is enabled or not.
- 2) t_{RTW} is not a device limit but determined by the system bus turnaround time. The difference between $t_{WCK2DQ0}$ and $t_{WCK2DQ1}$ shall be considered in the calculation of the bus turnaround time.

5.5.1 WRTR Command

A WRTR burst is initiated with a WRTR command as shown in Figure 27. No bank or column addresses are used as the data is written to the internal READ FIFO, not the array. The length of the burst initiated with a WRTR command is sixteen. There is no interruption nor truncation of WRTR bursts. The FIFO access is suppressed when CE bit is LOW. In two channel mode CE shall be driven HIGH.

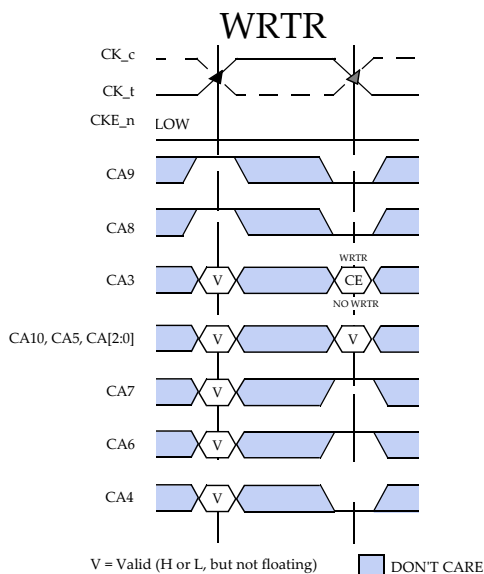


Figure 27. WRTR Command

A WRTR command may only be issued when a bank is open or a refresh is in progress and OP2 in MR5 is set to 0 to allow training during REFab.

WDBI and WRCRC must be enabled to write the DBI and EDC bits, respectively, with the WRTR command. If WDBI is not set, a '1' will be written to the DBI FIFO, and a '1' will be assumed for the DBI_n input in the CRC calculation. In contrast to a normal WRITE, no CRC is returned by the WRTR command and the EDC signals will drive the EDC hold pattern.

Please note that RDCRC must be enabled to read the calculated CRC data with the RDTR command.

An amount of WRTR commands equal to the FIFO depth (= six) is required to fully load the FIFO; any number of WRTR commands greater than the FIFO depth is allowed and shall result in a looping of the FIFO's data input.

During WRTR bursts, the first valid data-in element must be available at the input latch after the Write Latency (WL). The Write Latency is the same as for WRITE.

Upon completion of a burst, assuming no other WRTR data is expected on the bus the DQs and DBI_n will be driven according to the ODT state. Any additional input data will be ignored.

Data from any WRTR burst may be concatenated with data from a subsequent WRTR command. A continuous flow of data can be maintained. The first data element from the new burst follows the last element of a completed burst. The new WRTR command should be issued after the previous WRTR command according to the t_{CCDS} timing.

An RDTR can be issued any time after a WRTR command as long as the internal bus turn around time t_{WTRTR} is met.

The total number of WRTR commands modulo FIFO depth must equal the total number of RDTR commands modulo FIFO depth when used in conjunction with RDTR. No READ or WRITE commands are allowed between WRTR and RDTR.

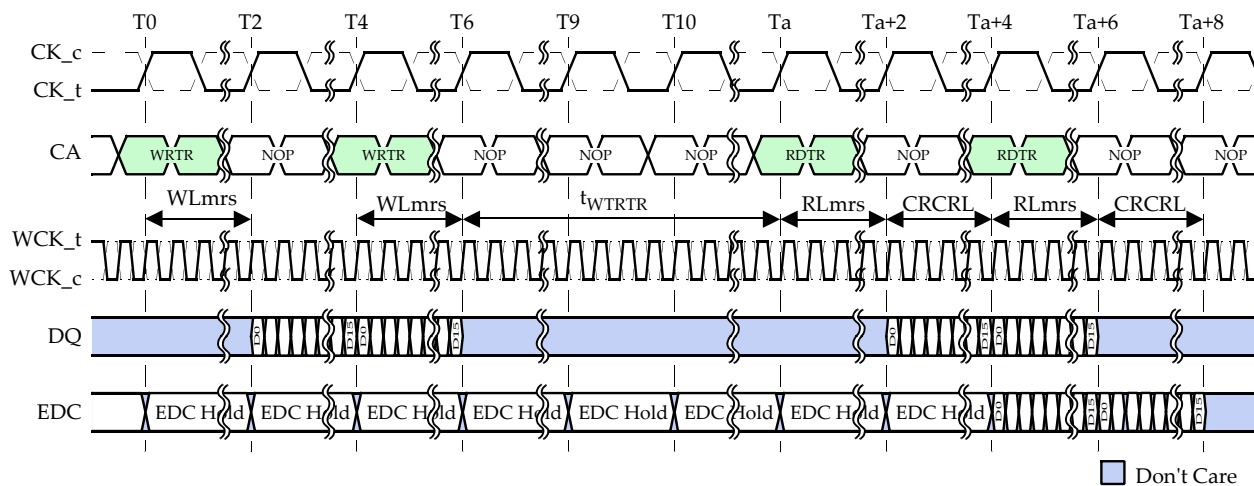


Figure 28. Write Training using WRTR and RDTR Commands

- NOTE :**
- 1) WLmrs, RLmrs and CRCRL = 1 for ease of illustration; check Mode Register definition for supported settings.
 - 2) WCK and CK are shown aligned ($t_{WCK2CKPIN}=0$, $t_{WCK2CK}=0$) for illustration purposes. WCK2CK training determines the needed offset between WCK and CK.

6. MODE REGISTERS

GDDR6 specifies 14 Mode Registers to define the specific mode of operation. MR0 to MR12 and MR15 are defined as shown in the overview in Table 26. MR13 and MR14 are not defined and reserved for vendor specific features. Reprogramming the Mode Registers will not alter the contents of the memory array.

All Mode Registers are programmed via the MODE REGISTER SET (MRS) command and will retain the stored information until they are reprogrammed, chip reset, or the device loses power. Mode Registers must be loaded when all banks are idle and no bursts are in progress, and the controller must wait the specified time t_{MOD} before initiating any subsequent operation. Violating either of these requirements will result in unspecified operation.

No default states are defined for Mode Registers except when otherwise noted. Users therefore must fully initialize all Mode Registers to the desired values upon power-up or after a subsequent chip reset.

Reserved states should not be used, as unknown operation or incompatibility with future versions may result. RFU bits are reserved for future use and must be programmed to 0.

If the user activates bits in an optional field, either the optional field is activated (if option is implemented in the device) or no action is taken by the device (if option is not implemented).

[Table 26] Mode Registers Overview

MR#	M3	M2	M1	M0	OP11	OP10	OP9	OP8	OP7	OP6	OP5	OP4	OP3	OP2	OP1	OP0	
MR0	0	0	0	0	Write Recovery (WR)				TM	Read Latency (RLmrs)				Write Latency (WLmrs)			
MR1	0	0	0	1	0	CABI	WDBI	RDBI	0	Cal Upd	0	0	Data Termination	Driver Strength			
MR2	0	0	1	0	EDC HR	CADT SRF	RDQS	EDC mode	Self Refresh		OCD Pullup Driver Offset		OCD Pulldown Driver Offset				
MR3	0	0	1	1	Bank Groups		0	0	Info		CA Termination Offset		DQ and WCK Termination Offset				
MR4	0	1	0	0	EDC Inv	WR CRC	RD CRC	CRC Read Latency (CRCRL)		CRC Write Latency (CRCWL)			EDC Hold Pattern				
MR5	0	1	0	1	0	0	0	0	0	0	0	0	0	LP3	LP2	0	
MR6	0	1	1	0	Pin Sub-Address					VREFD Level							
MR7	0	1	1	1	0	0	0	0	Half VREFD	HALF VREFC	DQ PreA	Auto Sync	LF Mode	0	Hibernate	0	
MR8	1	0	0	0	CK Termination		WR EHF	RL EHF	REFpb	CK AC	EDC Hi-Z	CA TO	CAH Termination		CAL Termination		
MR9	1	0	0	1	Pin Sub-Address					RFU			Decision Feedback Equalization (DFE)				
MR10	1	0	1	0	WCK Termination		0	WCK2 CK	WCK Inv / QS Byte 1		WCK Inv / QS Byte 0		VREFC Offsets				
MR11	1	0	1	1	PASR Row Segment Mask					PASR 2-Bank Mask							
MR12	1	1	0	0	RFU										PRBS	P2BR Addr	VDDQ OFF
MR13	1	1	0	1	Reserved for Vendor Specific Features												
MR14	1	1	1	0	Reserved for Vendor Specific Features												
MR15	1	1	1	1											CADT		MRE

6.1 Mode Register 0 (MR0)

Mode Register 0 controls operating modes such as Write Latency, Read Latency, Write Recovery and Test Mode as shown in Table 27. The register is programmed via the MODE REGISTER SET (MRS) command with M[3:0] = 0000.

[Table 27] Mode Register 0 (MR0) Definition

M3	M2	M1	M0	OP11	OP10	OP9	OP8	OP7	OP6	OP5	OP4	OP3	OP2	OP1	OP0
0	0	0	0	Write Recovery (WR)				TM	Read Latency (RLmrs)				Write Latency (WLmrs)		

Function	Operand	Data	Notes
Write Latency (WLmrs)	OP[2:0]	000: 8 001: RFU 010: RFU 011: RFU 100: RFU 101: 5 110: 6 111: 7	
Read Latency (RLmrs)	MR8 OP[8], MR 0 OP[6:3]	00000: RFU 00001: RFU 00010: RFU 00011: RFU 00100: 9 00101: 10 00110: 11 00111: 12 01000: 13 01001: 14 01010: 15 01011: 16 01100: 17 01101: 18 01110: 19 01111: 20 10000: 21 10001: 22 -- Thru . 11110: 35 11111: 36	1
TM (Test Mode)	OP[7]	0: Normal 1: Test Mode	
Write Recovery (WR)	MR8 OP[9], OP[11:8]	00000: 4 00001: 5 00010: 6 00011: 7 00100: 8 00101: 9 00110: 10 00111: 11 01000: 12 01001: 13 01010: 14 01011: 15 01100: 16 01101: 17 01110: 18 01111: 19 10000: 20 10001: 21 -- Thru . 11110: 34 11111: 35	1

NOTE :
1) Please note that the MSB is located in Mode Register 8 (MR8) (see text).

6.1.1 Write Latency (WLmrs)

The Write latency (WLmrs) is the delay in clock cycles used in the calculation of the total Write latency (WL) between the registration of a WRITE or WRTR command and the availability of the first piece of input data. DRAM vendor specifications should be checked for value(s) of WLmrs supported. As the Write latency is set to higher values (i.e., ... 5, 6, 7, 8 clocks) the input receivers turn on when the WRITE or WRTR command is registered. The full Write latency definition can be found in the section entitled OPERATION.

6.1.2 Read Latency (RLmrs)

The Read latency (RLmrs) is the delay in clock cycles used in the calculation of the total Read latency (RL) between the registration of a READ or RDTR command and the availability of the first piece of output data.

RLmrs is specified by bits MR0 OP[6:3] and MR8 OP8, defining a RLmrs range of 9 to 31 t_{CK} . Please note that the MSB is located in MR8; a Read latency change therefore may require two MRS commands. The full Read latency definition can be found in the section entitled OPERATION.

6.1.3 Write Recovery (WR)

The programmed WR value is used to delay the internal auto-precharge until after the t_{WR} timing has been met. The WR register bits are not a required function and may be implemented at the discretion of the DRAM manufacturer.

WR must be programmed with a value greater than or equal to $RU\{t_{WR}/t_{CK}\}$, where RU stands for round up, t_{WR} is the analog value from the vendor datasheet and t_{CK} is the operating clock cycle time.

WR is specified by MR0 OP[11:8] and MR8 OP9, defining a WR range of 4 to 31 t_{CK} . Please note that the MSB is located in MR8; a WR change therefore may require two MRS commands.

6.1.4 Test Mode

The normal operating mode is selected by issuing a MODE REGISTER SET command with bit OP7 set to '0', and bits OP[6:0] and OP[11:8] set to the desired values. Programming bit OP7 to '1' places the device into a test mode that is only to be used by the DRAM manufacturer. No functional operation is specified with test mode enabled.

6.2 Mode Register 1 (MR1)

Mode Register 1 controls functions like driver strength, data termination, Read DBI, Write DBI, CABI, control of calibration updates, PLL/DLL and PLL/DLL Range as shown in Table 28.

The register is programmed via the MODE REGISTER SET (MRS) command with M[3:0] = 0001. OP[3:0], OP6 and OP10 of this register are initialized with '0's.

[Table 28] Mode Register 1 (MR1) Definition

M3	M2	M1	M0	OP11	OP10	OP9	OP8	OP7	OP6	OP5	OP4	OP3	OP2	OP1	OP0
0	0	0	1	0	CABI	WDBI	RDBI	0	Cal Upd	0	0	Data Termination		Driver Strength	

Function	Operand	Data	Notes
Driver Strength	OP[1:0]	00 : Auto Calibration On (60/40) 01 : Auto Calibration On (48/40) 10 : RFU 11 : RFU	
Data Termination	OP[3:2]	00 : Disabled 01 : 60 ohm 10 : 120 ohm 11 : 48 ohm	
Calibration Update	OP[6]	0 : On 1 : Off	
Read DBI	OP[8]	0 : On 1 : Off	
WDBI	OP[9]	0 : On 1 : Off	
CABI	OP[10]	0 : On 1 : Off	

6.2.1 Impedance Auto Calibration of Output Buffer and Active Terminator

GDDR6 SGRAMs offer auto calibrating impedance output buffers and on-die terminations. This enables a user to match the driver impedance and terminations to the system within a given range. To adjust the impedance, an external precision resistor is connected between the ZQ and V_{SS}. A nominal resistor value of 120 Ohms is equivalent to the 40 Ohms Pull-down and 60 or 48 Ohms Pull-up nominal impedances of devices. RESET_n is not internally terminated.

The output driver and on-die termination impedances are updated during all REFab commands to compensate for variations in supply voltage and temperature. The impedance updates are transparent to the system.

6.2.2 Driver Strength

OP[1:0] define the driver strength. The Auto Calibration setting enables the Auto Calibration functionality for the Pull-down, Pull-up and Termination over process, temperature and voltage changes.

6.2.3 Data Termination

OP[3:2] define the data termination value for the DQs and DBI_n. Data termination is disabled by default; it can be set to a value of 48 Ohm, 60 Ohm, or 120 Ohm depending on system conditions. Data termination may also be turned off.

6.2.4 Calibration Update

The Calibration Update setting enables the calibration value to be updated automatically by the Auto Calibration engine. The function is enabled upon power-up to reduce update induced jitter. The user may decide to suppress updates from the auto calibration engine by disabling Calibration Update (OP6=1).

The calibration updates can occur with any REFab command. The update is not complete for a time t_{K0} after the latching of the REFab command. During this t_{K0} time, only NOP commands may be issued.

Calibration updates for the CK ODT can be disabled separately by the CK AC bit in MR8 OP6.

6.2.5 RDBI and WDBI

Bit OP8 controls Data Bus Inversion (DBI) for READs (RDBI), and bit OP9 controls Data Bus Inversion for WRITEs (WDBI). For more details on DBI see READ and WRITE Data Bus Inversion (DBI) in the section entitled OPERATION.

6.2.6 CABI

Command Address Bus Inversion (CABI) is selected independently from DBI using bit OP10. When enabled any data sent over the CA bus (whether opcode, addresses, LDFD data or DM) is inverted or not inverted based on the state of CABI_n signal. With a change to the CABI register it is required to wait t_{MOD} instead of t_{MRD} with CABI_n held HIGH after an MRS command that changes the CABI and any subsequent MRS command. For more details on CABI see Command Address Bus Inversion (CABI) in the section entitled ADDRESS.

6.3 Mode Register 2 (MR2)

Mode Register 2 defines the output driver (OCD) offsets, EDC mode, EDC Hold Rate, Self Refresh, RDQS mode and CADT SRF functions as shown in Table 29. Bit OP10 of this register is initialized with '0'.

Mode Register 2 is programmed via the MODE REGISTER SET (MRS) command with M[3:0] = 0010.

[Table 29] Mode Register 2 (MR2) Definition

M3	M2	M1	M0	OP11	OP10	OP9	OP8	OP7	OP6	OP5	OP4	OP3	OP2	OP1	OP0
0	0	1	0	EDC HR	CADT SRF	RDQS	EDC mode	Self Refresh		OCD Pullup Driver Offset			OCD Pulldown Driver Offset		

Function	Operand	Data	Notes
OCD Pulldown Driver Offset	OP[2:0]	000: 0 001: +1 010: +2 011: +3 100: -4 101: -3 110: -2 111: -1	
OCD Pullup Driver Offset	OP[5:3]	000: 0 001: +1 010: +2 011: +3 100: -4 101: -3 110: -2 111: -1	
Self Refresh	OP[7:6]	00: 32ms 01: RFU 10: RFU 11: temperature controlled	
EDC mode	OP[8]	0: Full data rate 1: Half data rate	
RDQS mode	OP[9]	0: Off 1: On	
CADT SRF	OP[10]	0: Off 1: On	
EDC Hold Rate (EDC HR)	OP[11]	0: Full data rate 1: Half data rate	

6.3.1 CADT SRF

OP10 enables Self Refresh when CA Training mode is entered. A detailed description of the CA Training while in Self Refresh can be found in the section entitled TRAINING.

6.3.2 RDQS Mode

OP9 enables the RDQS mode of the device. In this mode the EDC outputs will act as a READ strobe (RDQS). No CRC is supported in RDQS mode, and all related bits in MR4 will be ignored. A detailed description of the RDQS mode can be found in the section entitled OPERATION.

6.3.3 EDC mode

EDC mode selects between Full data rate and Half data rate EDC modes. See EDC section for more details.

6.3.4 Self Refresh

The refresh interval in Self Refresh mode may be set to 32ms, or being controlled by an integrated temperature sensor. DRAM vendors may support additional settings related to other temperatures.

6.3.5 EDC Hold Rate

EDC Hold Rate selects between Full data rate and Half data rate for the EDC hold pattern provided the hold pattern is programmed to 1010 or 0101. Programming the hold pattern to 0011, 0110, 1100 or 1001 effectively results in a half or quarter data rate hold pattern depending on the EDC HR setting. EDC Hold Rate is set independently of the EDC mode.

If the optional PRBS feature is implemented with support for both a full and half data rate bit stream, then EDC HR selects which mode is enabled. If only half data rate PRBS is supported, then EDC HR is not required to affect the output when the optional PRBS feature is supported by a device and enabled in MR12 OP2. Consult vendor datasheet for EDC Hold Rate capability.

6.3.6 Impedance Offsets (MR2 OP[5:0] & MR3 OP[5:0])

The driver and termination impedances may be offset individually for PD driver, PU driver, DQ/DBI_n/WCK termination and CA termination. The offset impedance step values may be non-linear and will vary across DRAM vendors and across PVT. With negative offset steps the drive strengths will be decreased and Ron will be increased. With positive offset steps the drive strengths will be increased and Ron will be decreased. With negative offset steps the termination value will be increased. With positive offset steps the termination value will be decreased.

IV curves and AC timings are only guaranteed with zero offset.

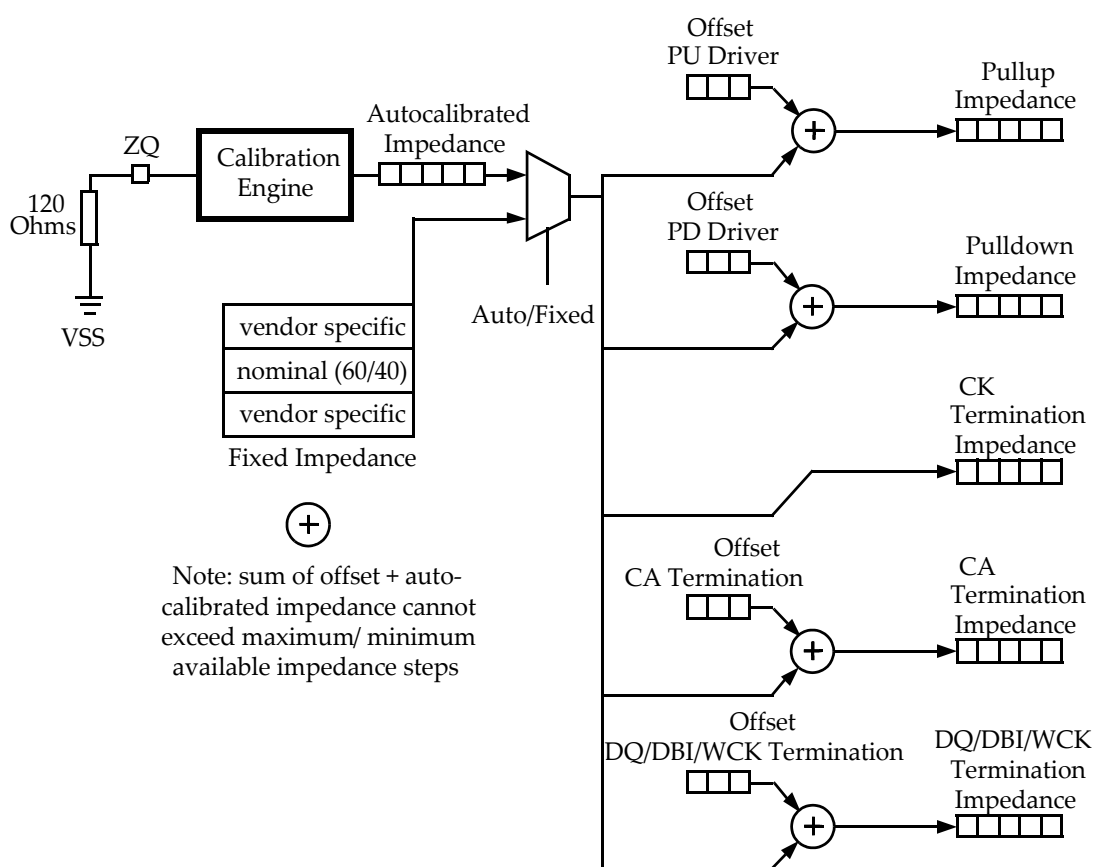


Figure 29. Impedance Offsets

6.4 Mode Register 3 (MR3)

Mode Register 3 controls functions including Bank Groups, WR Scaling, DRAM Info, Termination offsets for CA as well as Data and WCK as shown in Table 30.

Mode Register 3 is programmed via the MODE REGISTER SET (MRS) command with M[3:0] = 0011.

[Table 30] Mode Register 3 (MR3) Definition

M3	M2	M1	M0	OP11	OP10	OP9	OP8	OP7	OP6	OP5	OP4	OP3	OP2	OP1	OP0
0	0	1	1	Bank Groups		0	0	DRAM Info		CA Termination Offset			Data and WCK Termination Offset		

Function	Operand	Data	Notes
Data and WCK Termination Offset	OP[2:0]	000: 0 001: +1 010: +2 011: +3 100: -4 101: -3 110: -2 111: -1	
CA Termination Offset	OP[5:3]	000: 0 001: +1 010: +2 011: +3 100: -4 101: -3 110: -2 111: -1	
DRAM Info	OP[7:6]	00: off 01: Vendor ID (ID1) 10: Temperature Readout 11: Vendor ID (ID2)	
Bank Groups	OP[11:10]	0x: off / t _{CCDL} = 2 tCK 10: on / t _{CCDL} = 4 tCK 11: on / t _{CCDL} = 3 tCK	

6.4.1 DRAM Info

OP[7:6] enable the DRAM Info mode which is provided to output the Vendor ID or Temperature Readout.

The Vendor ID identifies the manufacturer of the device, and provides the die revision, memory density and other information about the device. See the Vendor ID section for more details.

6.4.2 Bank Groups

OP11 enables the bank groups feature, and OP10 specifies the min column-to-column command delay (t_{CCDL}). With OP11 set to '1', back-to-back column accesses within a bank group have to be spaced by 3 or 4 clocks as defined by bit OP10. With OP11 set to '0', the bank groups feature is disabled and t_{CCDL} equals t_{CCDS}.

The DRAM vendor's datasheet specifies the operating frequency limit below which the user may run the device without activating the bank groups feature (f_{CKBG}).


6.5 Mode Register 4 (MR4)

Mode Register 4 defines the Error Detection Code (EDC) features shown in Table 31.

The register is programmed via the MODE REGISTER SET (MRS) command with M[3:0]= 0100. OP[3:0] (EDC Hold Pattern) of this register are initialized with '1111'.

[Table 31] Mode Register 4 (MR4) Definition

M3	M2	M1	M0	OP11	OP10	OP9	OP8	OP7	OP6	OP5	OP4	OP3	OP2	OP1	OP0
0	1	0	0	EDC Inv	WR CRC	RD CRC	CRC Read Latency (CRCRL)		CRC Write Latency (CRCWL)			EDC Hold Pattern			

Function	Operand	Data	Notes
EDC Hold Pattern	OP[3:0]	0000 : Pattern -- Thru . 1111 : Pattern Burst Pos 3, Burst Pos 2, Burst Pos 1, Burst Pos 0 	
CRC Write Latency (CRCWL)	OP[6:4]	000 : 15 001 : 16 010 : 17 011 : 10 100 : 11 101 : 12 110 : 13 111 : 14	
CRC Read Latency (CRCRL)	OP[8:7]	00 : 4 01 : 1 10 : 2 11 : 3	
RD CRC	OP[9]	0 : On 1 : Off	
WR CRC	OP[10]	0 : On 1 : Off	
EDC Invert	OP[11]	0 : EDC hold pattern not inverted 1 : EDC hold pattern inverted	

6.5.1 EDC Hold pattern / EDC Invert

The 4-bit EDC hold pattern is considered a background pattern transmitted on the EDC signals. The register is initialized with all '1's. The pattern is shifted from right to left and repeated with every 4 U.I. The output timing is the same as of a READ burst.

CRC bursts calculated from WRITES or READs will replace the EDC hold pattern for the duration of those bursts, provided CRC is enabled for those bursts.

The EDC hold pattern will be replaced by a pseudo random bit stream when the optional PRBS feature is supported by a device and enabled in MR12 OP2.

The EDC hold pattern will be undefined for t_{MOD} with the following MRS commands.

- MR4 that changes bits OP[3:0] or OP[11:9]
- MR1 that changes bits OP[1:0]
- MR6 that changes TX EQ codes
- MR12 OP2 to disable the optional PRBS feature

The EDC hold pattern will not be transmitted when the device is in CA training mode, in WCK2CK training mode, in Self Refresh mode, in reset state, in power-down state with the LP2 bit set, or EDC Hi-Z.

With OP11 set to '1', EDC1 will transmit the inverted EDC hold pattern, resulting in a pseudo-differential pattern. OP11 is ignored for READ, WRITE and RDTR CRC bursts and the clock phase information in WCK2CK training mode.

6.5.2 Read CRC and CRC Read Latency (CRCRL)

Bit OP9 controls the CRC calculation for READ bursts, and bits OP[8:7] hold the CRC read latency. When enabled, the calculated CRC pattern will be transmitted on the EDC signals with the latency as programmed in the CRCRL field of this register. With Read CRC being off, no CRC will be calculated for READ bursts, and the EDC hold pattern will be transmitted instead.

6.5.3 Write CRC and CRC Write Latency (CRCWL)

Bit OP10 controls the CRC calculation for WRITE bursts, and bits OP[6:4] hold the CRC write latency. When enabled, the calculated CRC pattern will be transmitted on the EDC signals with the latency as programmed in the CRCWL field of this register. With Write CRC being off, no CRC will be calculated for WRITE bursts, and the EDC hold pattern will be transmitted instead.

6.6 Mode Register 5 (MR5)

Mode Register 5 defines low power modes as shown in Table 32.

The register is programmed via the MODE REGISTER SET (MRS) command with M[3:0] = 0101.

[Table 32] Mode Register 5 (MR5) Definition

M3	M2	M1	M0	OP11	OP10	OP9	OP8	OP7	OP6	OP5	OP4	OP3	OP2	OP1	OP0
0	1	0	1	0	0	0	0	0	0	0	0	0	LP3	LP2	0

Function	Operand	Data	Notes
LP2	OP[1]	0: Off 1: On	
LP3	OP[2]	0: Off 1: On	

6.6.1 Low Power Modes (LP2, LP3)

OP[2:0] control several low power modes of the device. The modes are independent of each other. LP2 is optional feature.

When OP1 (LP2) is set, the WCK receivers may be turned off during power-down.

When OP2 (LP3) is set, RDTR, WRTR and LDFF commands as well as reading the device temperature are not allowed while a REFAb command is being executed.

6.7 Mode Register 6 (MR6) & Mode Register 9 (MR9)

Mode Register 6 and Mode Register 9 control data input receiver properties like VREFD level and DFE as shown in Table 33 and Table 34. MR6 also controls the data output driver equalization (TX EQ). Both registers use a 5-bit wide sub-address to allow programming of VREFD level and DFE values individually for each data input pin.

Mode Register 6 is programmed via the MODE REGISTER SET (MRS) command with M[3:0] = 0110. Mode Register 9 is programmed via the MODE REGISTER SET (MRS) command with M[3:0] = 1001.

[Table 33] Mode Register 6 (MR6) Definition

M3	M2	M1	M0	OP11	OP10	OP9	OP8	OP7	OP6	OP5	OP4	OP3	OP2	OP1	OP0
0	1	1	0	Pin Sub-Address					VREFD Level						

Function	Operand	Data	Notes
VREFD Level	OP[6:0]	See VREFD Level Table	
Pin Sub-Address	OP[11:7]	00000 : DQ0 00001 : DQ1 -- Thru . 00110 : DQ6 00111 : DQ7 01000 : DBI0_n 01001 : RFU 01010 : TX EQ Byte 0 (See Note1) 01011 : RFU -- Thru . 01110 : RFU 01111 : Byte 0 10000 : DQ8 10001 : DQ9 -- Thru . 10110 : DQ14 10111 : DQ15 11000 : DBI1_n 11001 : RFU 11010 : TX EQ Byte 1 (See Note1) 11011 : RFU -- Thru . 11110 : RFU 11111 : Byte 1	

NOTE :
 1) OP[11:7] 01010: TX EQ Byte 0

OP6	OP5	OP4	OP3	OP2	OP1	OP0	TX EQ
RFU							0 0 Off
RFU							0 1 1
RFU							1 0 2
RFU							1 1 3

[Table 34] Mode Register 9 (MR9) Definition

M3	M2	M1	M0	OP11	OP10	OP9	OP8	OP7	OP6	OP5	OP4	OP3	OP2	OP1	OP0
1	0	0	1	Pin Sub-Address					RFU			Decision Feedback Equalization (DFE)			

Function	Operand	Data	Notes
Decision Feedback Equalization (DFE)	OP[3:0]	0000 : Off 0001 : +/- 0.5% VDDQ, +/-7mV 0010 : +/- 1.0% VDDQ, +/-14mV -- Thru . 1110 : +/- 0.7% VDDQ, +/-98mV 1111 : +/- 7.5% VDDQ, +/-105mV	1
Pin Sub-Address	OP[11:7]	00000 : DQ0 00001 : DQ1 -- Thru . 00110 : DQ6 00111 : DQ7 01000 : DBI0_n 01001 : RFU 01010 : RFU 01011 : RFU -- Thru . 01110 : RFU 01111 : Byte 0 10000 : DQ8 10001 : DQ9 -- Thru . 10110 : DQ14 10111 : DQ15 11000 : DBI1_n 11001 : RFU 11010 : RFU 11011 : RFU -- Thru . 11110 : RFU 11111 : Byte 1	

NOTE :
 1) Voltages for DFE are approximated values.

6.7.1 VREFD Level

The reference voltage for the DQ and DBI_n inputs (V_{REFD}) is generated internally, and separate V_{REF} circuits are associated with each data input pin.

The VREFD level is linear with a total range of 96 steps and a nominal step size of $1/200 \times V_{DDQ}$ (or 0.5%) in a range from $0.490 \times V_{DDQ}$ to $0.965 \times V_{DDQ}$ as illustrated in Table 35 and Figure 31. The mid point of $0.725 \times V_{DDQ}$ has been set to match the ideal vertical data eye center with nominal 48 Ohms pull-up and 40 Ohms pull-down driver strength (see MR1). With nominal 60 Ohms pull-up and 40 Ohms pull-down driver strength the ideal vertical data eye center will be at $0.7 \times V_{DDQ}$, only 35mV lower. Both mid point settings are highlighted in Table 35.

The VREFD level must be set by programming bits OP[6:0] in MR6 individually for each pin; the associated pin sub-address bits in OP[11:7] select the pin. The sub-address field also provides encodings to program the same VREFD level for a byte (byte 0 or byte 1). MRS commands to program the VREFD level can be issued in random order. No valid VREFD level is defined for decimal steps 96 to 127 (OP[6:5] = 11).

The V_{REFD} settling time t_{VREFD} is a constant value for the device, and is referenced from the MRS command to when the 90% level of the delta between old and new V_{REFD} voltage has been reached as illustrated in Figure 32.

Half VREFD mode enables the V_{REFD} level to be adjusted when the DQ and DBI_n inputs operate without termination. When bit OP7 in MR7 is set to '1', a level of nominally $0.5 \times V_{DDQ}$ is generated. The maximum operating frequency for this mode is defined by $f_{CKVREFD2}$. Disabling Half VREFD mode restores the programmed VREFD level and DFE values. A Half VREFD mode reference voltage change requires t_{VREFD2} to settle.

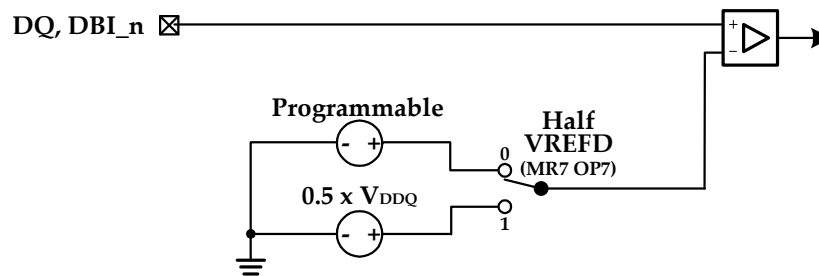


Figure 30. VREFD Options

[Table 35] VREFD Level

VREFD Level Code		VREFD Level		
MR6 OP[6:0]	Decimal	% V_{DDQ}	Divider	V_{REFD} [V]
1 0 1 1 1 1 1	95	0.965	193 / 2 00	1.303
1 0 1 1 1 1 0	94	0.960	192 / 200	1.296
1 0 1 1 1 0 1	93	0.955	191 / 200	1.289
...
0 1 1 0 0 0 0	48	0.730	146 / 200	0.986
0 1 0 1 1 1 1	47	0.725	145 / 200	0.979
0 1 0 1 1 1 0	46	0.720	144 / 200	0.972
0 1 0 1 1 0 1	45	0.715	143 / 200	0.965
0 1 0 1 1 0 0	44	0.710	142 / 200	0.959
0 1 0 1 0 1 1	43	0.705	141 / 200	0.952
0 1 0 1 0 1 0	42	0.700	140 / 200	0.945
0 1 0 1 0 0 1	41	0.695	139 / 200	0.938
...
0 0 0 0 0 1 0	2	0.500	100 / 200	0.675
0 0 0 0 0 0 1	1	0.495	99 / 200	0.668
0 0 0 0 0 0 0	0	0.490	98 / 200	0.662

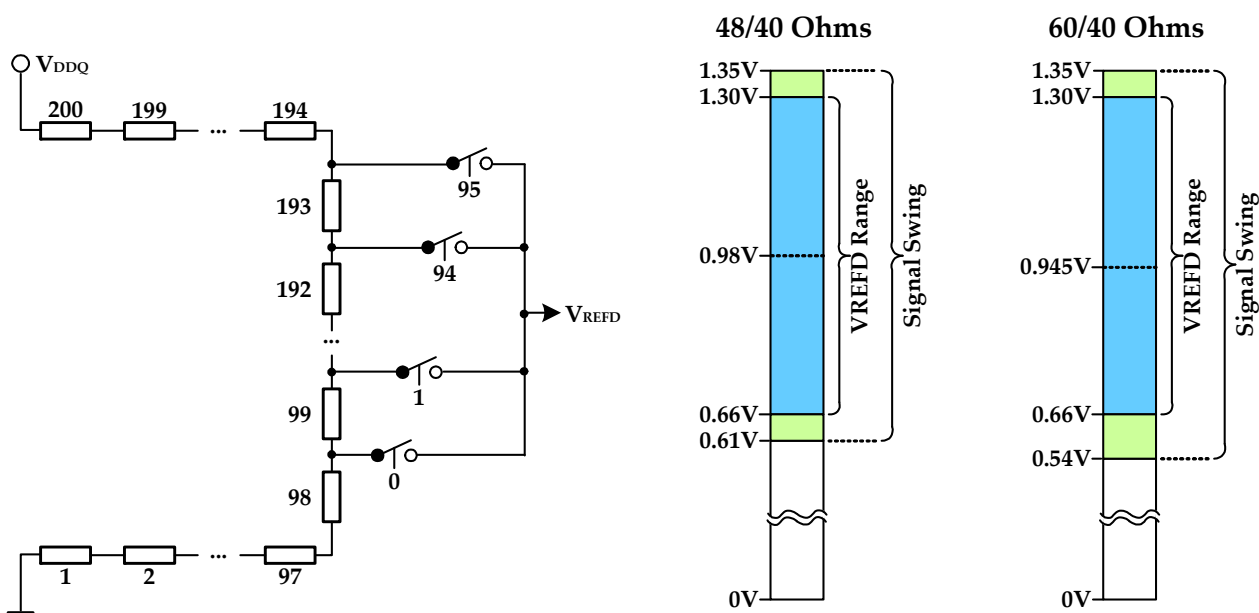


Figure 31. VREFD Circuit and Range

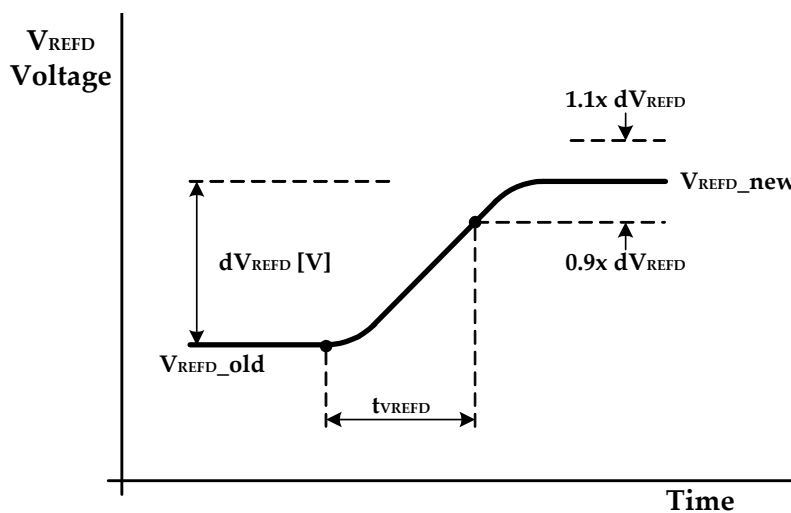


Figure 32. VREFD and DFE Settling Time

6.7.2 Decision Feedback Equalization (DFE)

The input data eye may be closed at the DRAM balls due to Inter System Interference (ISI) on the channel. GDDR6 provides means for improving (or opening up) the data eye at the receiver by the use of a 1-tap Decision Feedback Equalization (DFE).

DFE must be set by programming bits OP[3:0] in MR9 individually for each pin; the associated pin sub-address bits in OP[11:7] select the pin. The sub-address field also provides encodings to program the same DFE value for a byte (byte 0 or byte 1). MRS commands to program DFE can be issued in random order.

The DFE settings shall be equivalent to a positive and negative shift of the programmed VREFD level in steps of approximately +/-0.5% x V_{DDQ} or +/-7mV as shown in Table 34. The programmed VREFD level plus DFE voltage cannot be outside the range of the VREFD level supported in MR6 OP[6:0]. The actual DFE implementation is vendor specific. The V_{REFD} settling time t_{VREFD} must be satisfied for any DFE changes to settle.

6.7.3 Transmit Equalizer (TX EQ)

The transmit equalizer function allows to program each data byte's output drivers to better match the system channel characteristics. The actual TX EQ implementation is vendor specific.

TX EQ uses opcodes in MR6 not used otherwise for programming VREFD as shown in Table 33. The TX EQ option is selected by bits MR6 OP[1:0], and programmed for byte 0 with OP[11:7] = 01010 and for byte 1 with OP[11:7] = 11010.

6.8 Mode Register 7 (MR7)

Mode Register 7 controls features like Hibernate Self Refresh, Low Frequency mode, Auto Synchronization, DQ Preamble, Half VREFD and Half VREFC as shown in Table 36. The register is programmed via the MODE REGISTER SET (MRS) command with M[3:0] = 0111. OP6 of this register is initialized with '0'.

[Table 36] Mode Register 7 (MR7) Definition

M3	M2	M1	M0	OP11	OP10	OP9	OP8	OP7	OP6	OP5	OP4	OP3	OP2	OP1	OP0
0	1	1	1	0	0	0	0	Half VREF D	Half VREF C	DQ PreA	Auto Sync	LF Mode	0	Hibernate	0

Function	Operand	Data	Notes
Hibernate Self Refresh	OP[1]	0: Off 1: On	
Low Frequency Mode	OP[3]	0: High Frequency (over 2GHz) 1: Low Frequency (under 2GHz)	
WCK2CK Auto Synchronization	OP[4]	0: Off 1: On	
DQ Preamble	OP[5]	0: Off 1: On	
Half VREFC	OP[6]	0: 0.7*VDDQ / default 1: 0.5*VDDQ	
Half VREFD	OP[7]	0: Programmed VREFD level and DFE value 1: 0.5*VDDQ	

6.8.1 Hibernate Self Refresh

With OP1 set to '1', the device enters Hibernate Self Refresh mode with the next SELF REFRESH ENTRY command. The bit is self-clearing.

6.8.2 Low Frequency Mode

When Low Frequency Mode is enabled by OP3, the power consumption of input receivers and clock trees is reduced. The maximum operating frequency for this low frequency mode is given in the vendor's datasheet.

6.8.3 WCK2CK Auto Synchronization

This GDDR6 SGRAMs supports a WCK2CK automatic synchronization mode that reduces the WCK2CK training to issuing two WCK2CK MRS for WCK2CK training entry and exit. This mode is controlled by OP4. For a detailed description see WCK2CK Auto Synchronization in the section entitled WCK2CK Training.

6.8.4 DQ Preamble

When enabled by OP5, non-gapless READ bursts will be preceded by a fixed DQ preamble on the DQ and DBI_n signals of 8 U.I. duration. The programmed READ latency does not change when the DQ Preamble is enabled. The pattern is not encoded with RDBI, however, if RDBI is disabled, the DBI_n signals will not toggle and drive a HIGH.

6.8.5 Half VREFC and Half VREFD

See Mode Register 6 (MR6) & Mode Register 9 (MR9) for details on VREF features.

6.9 Mode Register 8 (MR8)

Mode Register 8 defines Clock Termination Override, CAL and CAH Termination, EDC Hi-Z, CK Auto Calibration, REFpb, CK Termination and extensions to Read latency (RLmrs) and Write Recovery (WR) as shown in Table 37. The register is programmed via the MODE REGISTER SET (MRS) command with M[3:0] = 1000. OP4 of this register is initialized with '0's.

[Table 37] Mode Register 8 (MR8) Definition

M3	M2	M1	M0	OP11	OP10	OP9	OP8	OP7	OP6	OP5	OP4	OP3	OP2	OP1	OP0
1	0	0	0	CK Termination		WR EHF	RL EHF	REFpb	CK AC	EDC Hi-Z	CA TO	CAH Termination		CAL Termination	

Function	Operand	Data	Notes
CAL Termination	OP[1:0]	00 : Disabled 01 : 60 ohm 10 : 120 ohm 11 : Reserved	
CAH Termination	OP[3:2]	00 : Disabled 01 : 60 ohm 10 : 120 ohm 11 : 240 ohm	
CA TO (CA Termination Overried)	OP[4]	0 : Off 1 : On	
EDC Hi-Z	OP[5]	0 : Off 1 : On	
CK Auto Calibration (CK AC)	OP[6]	0 : CK auto-calibration update during REFab disabled 1 : CK auto-calibration update during REFab enabled	
REFpb	OP[7]	0 : REFpb 1 : REFp2b	
RLEHF (Read Latency Extra High Frequency)	OP[8]	0 : RLmrs normal range (9 to 20 t _{CK}) 1 : RLmrs extended range (21 to 31 t _{CK})	
WREHF (WRITE Recovery Extra High Frequency)	OP[9]	0 : WR normal range (4 to 19 t _{CK}) 1 : WR extended range (20 to 31 t _{CK})	
CK Termination	OP[11:10]	00 : Value at RESET 01 : 60 ohm 10 : 120 ohm 11 : Disabled	

6.9.1 READ Latency Extra High Frequency (RLEHF)

OP8 extends the RLmrs (READ Latency) field in MR0 from 4 bits to 5 bits. See Mode Register 0 for more details.

6.9.2 WRITE Recovery Extra High Frequency (WREHF)

OP9 extends the WR (WRITE Recovery) field in MR0 from 4 bits to 5 bits. See Mode Register 0 for more details.

6.9.3 EDC Hi-Z

With bit OP2 set to '1', the EDC signals are in Hi-Z state. The EDC Hi-Z function takes precedence over all other features that define the EDC signal's data pattern.

6.9.4 CK Auto Calibration (CK AC)

With bit OP6 set to '0', the update of the CK impedances by the calibration engine during REFab is disabled resulting in only the other impedances updated. With OP6 set to '1', the CK impedances are updated by the calibration engine during a REFab. If the calibration updates are off (MR1 OP6=1) or the CK Termination is disabled upon reset or by an MRS command that sets MR8 OP[11:10]=11, then this bit is ignored.

6.9.5 REFpb

OP7 selects between Per-bank (REFpb) and Per-2-bank (REFp2b) Refresh when CA4 (falling edge of CK) = LOW is set in a REFRESH command. See REFRESH and PER-BANK / PER-2-BANK REFRESH section for more details.

6.9.6 CK Termination

OP[11:10] allows a change to the termination value of CK_t and CK_c that was determined at device initialization. After any change to OP[11:10] from the default value of 00, the device operation cannot be guaranteed unless defined otherwise. If the feature is not supported by a device, the programming of the register will be ignored and the CK ODT value set during device initialization will remain valid as long as the device is powered or a subsequent chip reset.

The default setting ('00') selects the CK termination as determined by latching CA[5:4] on the rising edge of RESET_n. The CK termination can also be set to a value of 60 Ohm which is intended for a single loaded system, or 120 Ohm which is intended for double loaded configurations with two devices sharing a common CK. The values are the combined termination impedances from both channels as seen by the host. CK termination may also be turned off, for example, if external CK termination is used.

It is required to program the same CK termination value in both channels. In case the associated MRS commands are not issued at the same CK cycle to both channels, the ODT value as seen by the host cannot be guaranteed until a time t_{MOD} has been met after the second MRS command. To allow a termination change to be completed, it is required to wait t_{MOD} instead of t_{MRD} after an MRS command that changes the CK termination and any subsequent MRS command.

6.9.7 CA Termination Override (CA TO), CAH and CAL Termination

OP4 allows the CA Termination set during the power-up initialization sequence to be changed using CAH and CAL Termination.

OP[3:2] define the termination for the higher CA inputs, specifically CA[9:4], CABI_n and CKE_n. Values of 60 ohm, 120 ohm and 240 ohm are supported. The termination may also be disabled for the higher CA inputs.

OP[1:0] define the termination for the lower CA inputs, specifically CA[3:0]. Values of 60 ohm and 120 ohm are supported. The termination may also be disabled for the lower CA inputs.

The use of the CA Termination Override, CAH and CAL Termination allow the CA Termination to be set individually for one, two or four loads on a common CA bus, depending on whether the DRAM is in two channel operation or PC mode, or x8 or x16 mode as well as other factors.

If CA Termination Override is set to '0' any change to the CAH and CAL Termination registers will be ignored. To allow a termination change to be completed, it is required to wait t_{MOD} instead of t_{MRD} after an MRS command that changes the CA termination and any subsequent MRS command.

6.10 Mode Register 10 (MR10)

Mode Register 10 controls the VREFC Offset, WCK Termination, WCK2CK and WCK Inv / Quad Shift functions as shown in Table 38. Mode Register 10 is programmed via the MODE REGISTER SET (MRS) command with M[3:0] = 1010. OP[11:10] and OP[3:0] of this register is initialized with '0's.

[Table 38] Mode Register 10 (MR10) Definition

M3	M2	M1	M0	OP11	OP10	OP9	OP8	OP7	OP6	OP5	OP4	OP3	OP2	OP1	OP0
1	0	1	0	WCK Termination		0	WCK2CK	WCK Inv / Quad Shift Byte 1		WCK Inv / Quad Shift Byte 0		VREFC Offset			

Function	Operand	Data	Notes
VREFC Offset	OP[3:0]	0000 : 0 / default 0001 : +1 0010 : +2 0011 : +3 0100 : +4 0101 : +5 0110 : +6 0111 : +7 1000 : 0 1001 : -7 1010 : -6 1011 : -5 1100 : -4 1101 : -3 1110 : -2 1111 : -1	
WCK Inversion / Quad Shift Byte 0	OP[5:4]	00 : invert off / Shift 0 degrees 01 : invert off / Shift 90 degrees 10 : invert on / Shift 180 degrees 11 : invert on / Shift 270 degrees	
WCK Inversion / Quad Shift Byte 1	OP[7:6]	00 : invert off / Shift 0 degrees 01 : invert off / Shift 90 degrees 10 : invert on / Shift 180 degrees 11 : invert on / Shift 270 degrees	
WCK2CK	OP[8]	0 : Off 1 : On	
WCK Termination	OP[11:10]	00 : Disabled 01 : 60 ohm 10 : 120 ohm 11 : Reserved	

6.10.1 WCK Inversion /Quad Shift

OP[7:4] control whether the internal phase of the WCK clock inputs after internal quarter data rate WCK shall be inverted, corresponding to a 2 U.I. phase shift for devices that use this method. Otherwise the bits control whether the internal phase of the WCK clock inputs after internal eighth data rate WCK shall be shifted for devices that use this method. The bits are used in conjunction with WCK2CK training mode.

6.10.2 WCK2CK Training

OP8 (WCK2CK) enables and disables the WCK2CK alignment training. For details on this training sequence, see the section on TRAINING.

6.10.3 WCK Termination

OP[11:10] define the (single ended) termination value for the on-die termination (ODT) for WCK.

The termination is disabled by default and can be set to a value of 60 Ohm or 120 Ohm depending on the system conditions. The WCK termination may also be turned off.

6.10.4 Input Reference Voltage for CA and CABI_n Pins and VREFC Offset

The reference voltage for the CA bus (VREFC) can be supplied via the external VREFC pin or be generated internally as illustrated in Figure 33. The selection is made with the rising edge of RESET_n: the device selects internal VREFC with a default level of $0.7 \times V_{DDQ}$ when the VREFC pin is pulled LOW in the system; otherwise external VREFC is selected. GDDR6 also provides the capability to offset the internal VREFC by use of the VREFC offset bits OP[3:0]. The offset step values may be non-linear and will vary across DRAM vendors and across PVT.

Half VREFC mode enables the VREFC level to be adjusted when the CA bus operates without termination. When bit OP6 in MR7 is set to '1', a level of nominally $0.5 \times V_{DDQ}$ is generated. The maximum operating frequency for this mode is defined by $f_{CKVREFC2}$. A Half VREFC mode reference voltage change requires t_{VREFC2} to settle. The programmable VREFC offset is not available in Half VREFC mode.

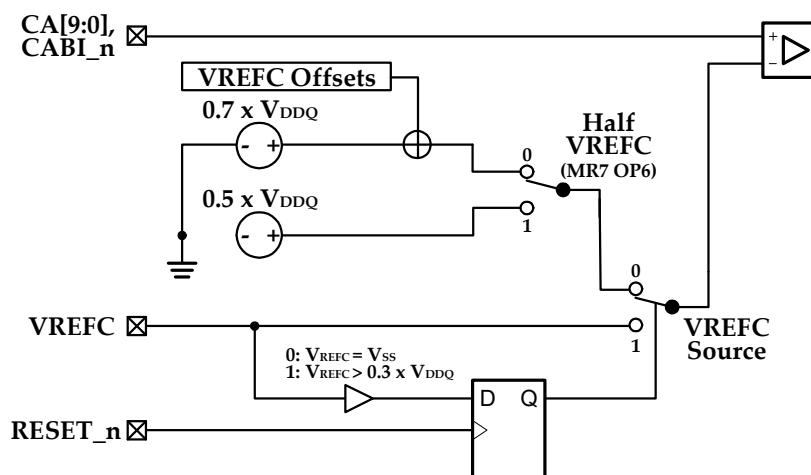


Figure 33. VREFC Options

6.11 Mode Register 11 (MR11)

Mode Register 11 controls operating modes such as PASR Row Segment Mask and PASR 2-Bank Mask as shown in Table 39. The register is programmed via the MODE REGISTER SET (MRS) command with M[3:0] = 1011.

[Table 39] Mode Register 11 (MR11) Definition

M3	M2	M1	M0	OP11	OP10	OP9	OP8	OP7	OP6	OP5	OP4	OP3	OP2	OP1	OP0
1	0	1	1	PASR Row Segment Mask				PASR 2-Bank Mask							

Function	Operand	Data	Notes
PASR 2-Bank Mask	OP[7:0]	XXXXXXX1: Bank 0 and 1 XXXXXX1X: Bank 2 and 3 XXXXX1XX: Bank 4 and 5 XXXX1XXX: Bank 6 and 7 XXX1XXXX: Bank 8 and 9 XX1XXXXX: Bank 10 and 11 X1XXXXXX: Bank 12 and 13 1XXXXXXX: Bank 14 and 15	
PASR Row Segment Mask	OP[8:11]	See below Table 40	

[Table 40] PASR Row Segment Mask

OP11	OP10	OP9	OP8	PASR Row Segment Mask	8Gb	12Gb	16Gb	24Gb	32Gb
					R[13:12]	R[13:12]	R[13:12]	TBD	TBD
X	X	X	1	Segment 0	00				
X	X	1	X	Segment 1	01				
X	1	X	X	Segment 2	10				
1	X	X	X	Segment 3	11				

6.12 Mode Register 12 (MR12)

Mode Register 12 controls operating modes such as VDDQ off, PRBS, P2BR Address and also has register fields that are reserved for future features. The register is programmed via the MRS command with M[3:0] = 1100.

[Table 41] Mode Register 12 (MR12) Definition

M3	M2	M1	M0	OP11	OP10	OP9	OP8	OP7	OP6	OP5	OP4	OP3	OP2	OP1	OP0
1	1	0	0	RFU									PRBS	P2BR Addr	VDDQ OFF

Function	Operand	Data	Notes
VDDQ OFF	OP[0]	0: Disabled 1: Enabled	
P2BR Address	OP[1]	0: LSB (BA0) "Don't Care" 1: MSB (BA3) "Don't Care"	
PRBS	OP[2]	0: Disabled / optional 1: Enabled / optional	

6.12.1 VDDQ OFF

OP0 enables and disables the optional Hibernate Self Refresh with VDDQ Off feature. The VDDQ Off bit must be set on both channels before entering Hibernate Self Refresh. For details on the sequence, see the Hibernate Self Refresh section.

6.12.2 P2BR Address

OP1 selects between LSB bank address, BA0, as "Don't Care" for REFp2b and MSB bank address, BA3, as "Don't Care" for REFp2b. P2BR Address is an optional register as MSB is an optional feature with only LSB "Don't Care" required to be supported. In the case the device only supports LSB "Don't Care" the programming of this register will be ignored. Support for MSB and the P2BR Address register is determined using the Vendor ID (ID2). For details see the PER-BANK REFRESH (REFpb) and PER-2-BANK REFRESH (REFp2b) Commands section.

6.12.3 PRBS

OP2 controls the optional PRBS feature. When supported by a device and enabled, the EDC hold pattern will be replaced by a pseudo random bit stream. The actual pattern length, polynomial and seed value are vendor specific. Consult vendor datasheet for PRBS characteristics. When the feature is enabled, the pseudo random bit stream is driven after tMOD. The bit stream may be different any time the feature is enabled. Depending on the DRAM vendor's implementation, register bits MR4 OP[11,3:0] are allowed to influence the PRBS, resulting in different bit streams for each EDC pin. In other implementations these register bits are ignored when PRBS is enabled. The vendor's datasheet should be consulted for details. The EDC HR bit (MR2 OP11) bit selects between a full and half data rate bit stream if the device supports both options. Support for optional PRBS feature is determined using the Vendor ID (ID2).

6.13 Mode Register 13 (MR13)

MR13 is reserved for vendor specific features. The register is programmed via the MRS command with M[3:0] = 1101.

[Table 42] Mode Register 13 (MR13) Definition

M3	M2	M1	M0	OP11	OP10	OP9	OP8	OP7	OP6	OP5	OP4	OP3	OP2	OP1	OP0
1	1	0	1	Reserved for Vendor Specific Features											

6.14 Mode Register 14 (MR14)

MR14 is reserved for vendor specific features. MR14 is programmed via the MRS command with M[3:0] = 1110.

[Table 43] Mode Register 14 (MR14) Definition

M3	M2	M1	M0	OP11	OP10	OP9	OP8	OP7	OP6	OP5	OP4	OP3	OP2	OP1	OP0
1	1	1	0	Reserved for Vendor Specific Features											

6.15 Mode Register 15 (MR15)

Mode Register 15 controls CA training mode (CADT) and access to Mode Registers 0 to 14 (MRE) as shown in Table 44.

The register is programmed via the MODE REGISTER SET (MRS) command with M[3:0] = 1111.

Mode Register 15 is a special register that latches data on both edges but only evaluates the rising edge of CK. Therefore nothing is evaluated by the device on the falling edge of CK as shown in Table 44. Increased CA setup and hold times are assumed to ensure the MRS command to this register is successful while CA training (CADT) has not taken place and the integrity of the DDR CA may not be guaranteed.

[Table 44] Mode Register 15 (MR15) Definition

M3	M2	M1	M0	OP11	OP10	OP9	OP8	OP7	OP6	OP5	OP4	OP3	OP2	OP1	OP0
1	1	1	1									CADT	MREB	MREA	

Function	Operand	Data	Notes
MRS to MR0-MR14 Channel A	OP[0]	0: MRS not blocked 1: MRS blocked	
MRS to MR0-MR14 Channel B	OP[1]	0: MRS not blocked 1: MRS blocked	
Command Address Training (CADT)	OP[3:2]	00: Off 01: Train CA[9:0] Rising edge of CK using CAT 10: Train CA[9:0] Falling edge of CK using CAT 11: Train CABI_n and CA10 using CAT	

6.15.1 Command Address Training (CADT)

Command Address training mode is controlled by OP[3:2]. See Command Address Training section for details.

6.15.2 Mode Register 0-14 Enable (MRE)

MRE function allows for the individual configuration of two devices sharing a common CA bus. The function utilizes the fact that in such a configuration the CA inputs of channel A of the first device are shared with the CA inputs of channel B of the second device. The default is to issue MRS to both devices. OP0 is evaluated by channel A only and ignored by channel B. With OP0 = 1 any MRS command to registers MR0 to MR14 is blocked as shown in Figure 34. OP1 is evaluated by channel B only and ignored by channel A. With OP1 = 1 any MRS command to registers MR0 to MR14 is blocked as shown in Figure 34.

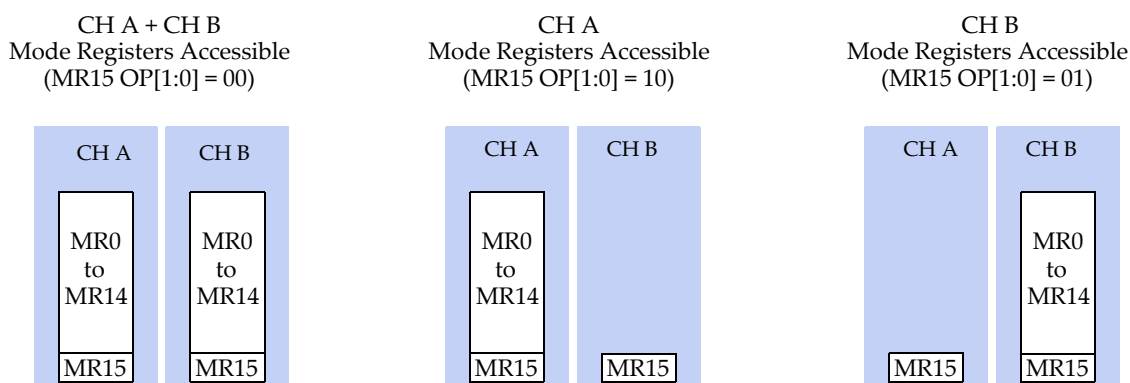


Figure 34. Mode Register Enable

7. OPERATION

7.1 Commands

[Table 45] Truth Table - Commands

FUNCTION	SYMBOL	Clock Cycle	CKE_n		CA10	CA9	CA8	CA7	CA6	CA5	CA4	CA3	CA2	CA1	CA0	NOTES
			Previous cycle (n-1)	Current cycle (n)												
NO OPERATION (NOP) (1)	NOP	R	L	L	V	H	H	V	V	V	V	V	V	V	V	1, 10
		F			V	H	H	V	V	V	V	V	V	V	V	
NO OPERATION (NOP) (2)	NOP	R	L	L	V	H	H	V	V	V	V	V	V	V	V	1, 10
		F			V	H	L	V	V	V	V	V	V	V	V	
NO OPERATION (NOP) (3)	NOP	R	L	L	V	H	L	V	V	V	V	V	V	V	V	1, 10
		F			V	H	H	V	V	V	V	V	V	V	V	
MODE REGISTER SET	MRS	R	L	L	V	H	L	M3	M2	M1	M0	OP3	OP2	OP1	OP0	1, 2, 3
		F			V	H	L	OP11	OP10	OP9	OP8	OP7	OP6	OP5	OP4	
ACTIVATE (Select bank & activate row)	ACT	R	L	L	V (R15)	L	V (R14)	BA3	BA2	BA1	BA0	R3	R2	R1	R0	1, 2, 4
		F			V	R13	R12	R11	R10	R9	R8	R7	R6	R5	R4	
READ (Select bank, column & start burst)	RD	R	L	L	V	H	H	BA3	BA2	BA1	BA0	C3	C2	C1	C0	1, 2, 5, 6
		F			V	L	H	L	L	V	L	CE	C6	C5	C4	
READ with Autoprecharge	RDA	R	L	L	V	H	H	BA3	BA2	BA1	BA0	C3	C2	C1	C0	1, 2, 5, 6
		F			V	L	H	L	L	V	H	CE	C6	C5	C4	
Load FIFO	LDFF	R	L	L	V	H	H	B3	B2	B1	B0	D3	D2	D1	D0	1, 2, 8
		F			V	L	H	H	L	D9	D8	D7	D6	D5	D4	
READ Training	RDTR	R	L	L	V	H	H	V	V	V	V	V	V	V	V	1, 2, 6
		F			V	L	H	H	H	V	L	CE	V	V	V	
WRITE without Mask (Select bank, column, & start burst)	WOM	R	L	L	V	H	H	BA3	BA2	BA1	BA0	C3	C2	C1	C0	1, 2, 5, 6
		F			V	L	L	L	L	V	L	CE	C6	C5	C4	
WRITE without Mask with Autoprecharge	WOMA	R	L	L	V	H	H	BA3	BA2	BA1	BA0	C3	C2	C1	C0	1, 2, 5, 6
		F			V	L	L	L	L	V	H	CE	C6	C5	C4	
WRITE with double-byte mask (WDM)	WDM	Cycle 1 R	L	L	V	H	H	BA3	BA2	BA1	BA0	C3	C2	C1	C0	1, 2, 5, 6
		F			V	L	L	L	L	V	L	CE	C6	C5	C4	
		Cycle 2 R			V	H	H	BST7	BST6	BST5	BST4	BST3	BST2	BST1	BST0	
WRITE with double-byte mask with Autoprecharge	WDMA	Cycle 1 R	L	L	V	H	H	BA3	BA2	BA1	BA0	C3	C2	C1	C0	1, 2, 5, 6
		F			V	L	L	H	L	V	H	CE	C6	C5	C4	
		Cycle 2 R			V	H	H	BST7	BST6	BST5	BST4	BST3	BST2	BST1	BST0	
WRITE with single-byte mask	WSM	Cycle 1 R	L	L	V	H	H	BA3	BA2	BA1	BA0	C3	C2	C1	C0	1, 2, 5, 6
		F			V	L	L	L	H	V	L	CE	C6	C5	C4	
		Cycle 2 R			V	H	H	Byte 0 BST7	Byte 0 BST6	Byte 0 BST5	Byte 0 BST4	Byte 0 BST3	Byte 0 BST2	Byte 0 BST1	Byte 0 BST0	
		F			V	H	H	Byte 0 BST15	Byte 0 BST14	Byte 0 BST13	Byte 0 BST12	Byte 0 BST11	Byte 0 BST10	Byte 0 BST9	Byte 0 BST8	
		Cycle 3 R			V	H	H	Byte 1 BST7	Byte 1 BST6	Byte 1 BST5	Byte 1 BST4	Byte 1 BST3	Byte 1 BST2	Byte 1 BST1	Byte 1 BST0	
WRITE with single-byte mask with Autoprecharge	WSMA	Cycle 1 R	L	L	V	H	H	BA3	BA2	BA1	BA0	C3	C2	C1	C0	1, 2, 5, 6
		F			V	L	L	L	H	V	H	CE	C6	C5	C4	
		Cycle 2 R			V	H	H	Byte 0 BST7	Byte 0 BST6	Byte 0 BST5	Byte 0 BST4	Byte 0 BST3	Byte 0 BST2	Byte 0 BST1	Byte 0 BST0	
		F			V	H	H	Byte 0 BST15	Byte 0 BST14	Byte 0 BST13	Byte 0 BST12	Byte 0 BST11	Byte 0 BST10	Byte 0 BST9	Byte 0 BST8	
		Cycle 3 R			V	H	H	Byte 1 BST7	Byte 1 BST6	Byte 1 BST5	Byte 1 BST4	Byte 1 BST3	Byte 1 BST2	Byte 1 BST1	Byte 1 BST0	
WRITE Training	WRTR	R	L	L	V	H	H	V	V	V	V	V	V	V	V	1, 2, 6
		F			V	L	L	H	H	V	L	CE	V	V	V	
PRECHARGE (per bank) (Deactivate row in a bank)	PREpb	R	L	L	V	H	L	BA3	BA2	BA1	BA0	V	V	V	V	1, 2, 9
		F			V	L	L	V	V	V	L	V	V	V	V	
PRECHARGE (all banks) (Deactivate row in all banks)	PREab	R	L	L	V	H	L	V	V	V	V	V	V	V	V	1, 2
		F			V	L	L	V	V	V	H	V	V	V	V	
PER-BANK / PER-2 BANK REFRESH	REFpb / REFp2b	R	L	L	V	H	L	BA3	BA2	BA1	BA0	V	V	V	V	1, 2, 7, 9
		F			V	L	H	V	V	V	L	V	V	V	V	
REFRESH (all banks)	REFab	R	L	L	V	H	L	V	V	V	V	V	V	V	V	1, 2, 7
		F			V	L	H	V	V	V	H	V	V	V	V	
POWER DOWN ENTRY	PDE	R	L	H	V	H	H	V	V	V	V	V	V	V	V	1, 2
		F			V	H	H	V	V	V	V	V	V	V	V	

[Table 45] Truth Table - Commands

FUNCTION	SYMBOL	Clock Cycle	CKE_n		CA10	CA9	CA8	CA7	CA6	CA5	CA4	CA3	CA2	CA1	CA0	NOTES
			Previous cycle (n-1)	Current cycle (n)												
POWER DOWN EXIT	PDX	R	H	L	V	H	H	V	V	V	V	V	V	V	V	1, 2
		F			V	H	H	V	V	V	V	V	V	V		
SELF REFRESH ENTRY	SRE	R	L	H	V	H	L	V	V	V	V	V	V	V	V	1, 2, 7
		F			V	L	H	V	V	V	V	V	V	V		
SELF REFRESH EXIT	SRX	R	H	L	V	H	H	V	V	V	V	V	V	V	V	1, 2
		F			V	H	H	V	V	V	V	V	V	V		
COMMAND ADDRESS TRAINING CAPTURE	CAT	R	L	H	V	V	V	V	V	V	V	V	V	V	V	1, 2
		F			V	V	V	V	V	V	V	V	V	V		

- NOTE :**
- 1) H = Logic HIGH Level; L = Logic LOW Level; V = Valid, signal may be H or L, but not floating; R, F = Rising, Falling CK clock edge
 - 2) Values shown for CA[10:0] are logical values; the physical values are inverted when Command/Address Bus Inversion (CABI) is enabled and CABI_n=L.
 - 3) M[3:0] provide the Mode Register address (MRA), OP[11:0] the opcode to be loaded.
 - 4) BA[3:0] provide the bank address, R[(14), 13:0] provide the row address.
 - 5) BA[3:0] provide the bank address, C[6:0] provide the column address; no sub-word addressing within a burst of 16. BST[15:0] provide the write data mask for each burst position with WDM(A) and WSM(A) commands.
 - 6) CE (Channel Enable) is intended for PC mode. The command is active when CE = H. When CE = L the array access is suppressed. In two channel mode CE shall be driven HIGH.
 - 7) The command is Refresh (all banks) or Per-Bank / Per-2-Bank Refresh when CKE_n(n) = L and Self Refresh Entry when CKE_n(n) = H. The second bit of CA4 selects between Refresh (all banks) and Per-Bank / Per-2-Bank Refresh.
 - 8) B[3:0] select the burst position, and D[9:0] provide the data.
 - 9) BA[3:0] provide the bank address.
 - 10) All three encodings perform the same NOP. NOP (2) and NOP (3) encodings are only allowed during CA Training.
 - 11) CA10 is only present in 24 Gb and 32 Gb densities.

7.2 Command, Address And Write Data Input Timings

Figure 35 and Figure 36 illustrate the timings associated with the Command and Address input as well as Data input.

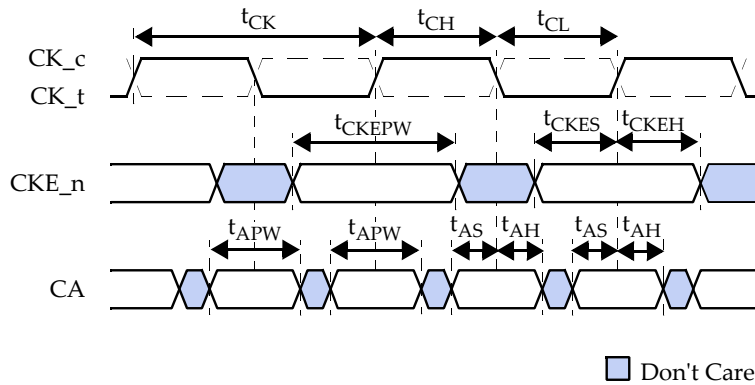


Figure 35. CA and CKE_n Address Input Timings

NOTE :

1) The scope of tCKEPW is limited to CAT commands in Command Address Training.

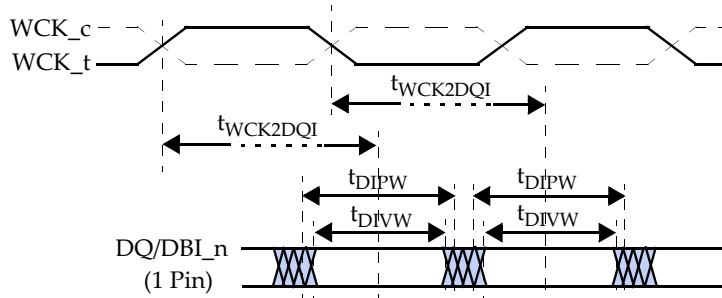


Figure 36. Data Input Timings

7.3 No Operation (NOP)

The NO OPERATION (NOP) command is used to instruct the device to perform a NOP. This prevents unwanted commands from being registered during idle or wait states. Operations already in progress are not affected. GDDR6 defines three encodings for the NOP command, and all three encodings perform the same NOP. NOP (2) and NOP (3) encodings are only allowed during CA Training.

7.4 Mode Register Set

The MODE REGISTER SET command is used to load the Mode Registers of the device. M[3:0] select the Mode Register, and OP[11:0] determine the opcode to be loaded. See MODE REGISTER for a register definition.

The MODE REGISTER SET (MRS) command can only be issued when all banks are idle and no bursts are in progress. The MRS command cycle time, t_{MRD} , is required to complete the write operation to the Mode Register and is the minimum time required between two MRS commands. For the CK Termination, CA Termination and CABI registers, t_{MOD} is required after changing the register and a subsequent MRS command. The MRS command to non-MRS command delay, t_{MOD} , is required by the device to update the features, and is the minimum time required from an MRS command to a non-MRS command excluding NOP.

The value of t_{MRD} is less than or equal to t_{MOD} , and the vendor's datasheet should be consulted for details. The use of the two timing parameter t_{MRD} and t_{MOD} allows the controller to schedule a series of MRS commands more efficiently than with a single timing parameter. However, the same timing is achieved when only parameter t_{MOD} is taken into account.

MODE REGISTER SET

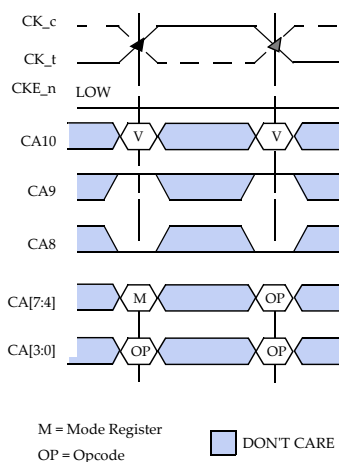
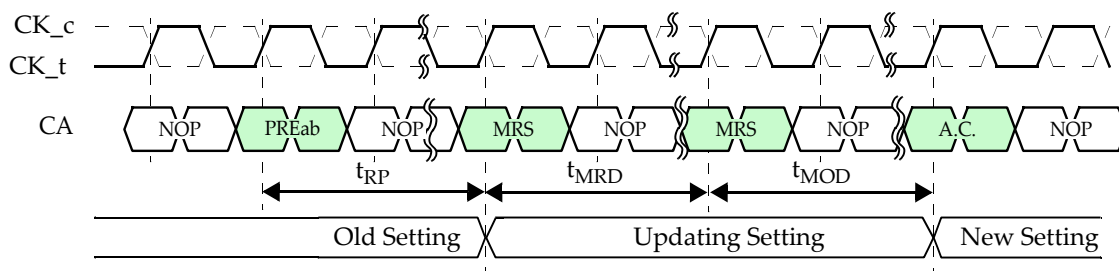


Figure 37. MRS Command



A.C. = any command allowed in bank idle state

Figure 38. Mode Register Set Timings

7.5 Row Activation

Before any READ or WRITE commands can be issued to a bank in the device, a row in that bank must be "opened". This is accomplished by the ACTIVATE command (see Figure 39): BA[3:0] select the bank, and R[13:0], R[14:0] or R[15:0] select the row to be activated. Once a row is open, a READ or WRITE command could be issued to that row, subject to the t_{RCD} specification.

A subsequent ACTIVATE command to another row in the same bank can only be issued after the previous row has been closed (precharged). The minimum time interval between two successive ACTIVATE commands on the same bank is defined by t_{RC} . A minimum time, t_{RAS} , must have elapsed between opening and closing a row.

A subsequent ACTIVATE command to another bank can be issued while the first bank is being accessed, which results in a reduction of total row-access overhead. The minimum time interval between two successive ACTIVATE commands on different banks to different bank groups is defined by t_{RRDS} . With bank groups enabled, the minimum time interval between two successive ACTIVATE commands to different banks in the same bank group is defined by t_{RRDL} . In all other cases the interval is defined by t_{RRDS} . Figure 40 shows the t_{RCD} and t_{RRD} definition.

The row remains active until a PRECHARGE command (or READ or WRITE command with Auto Precharge) is issued to the bank.

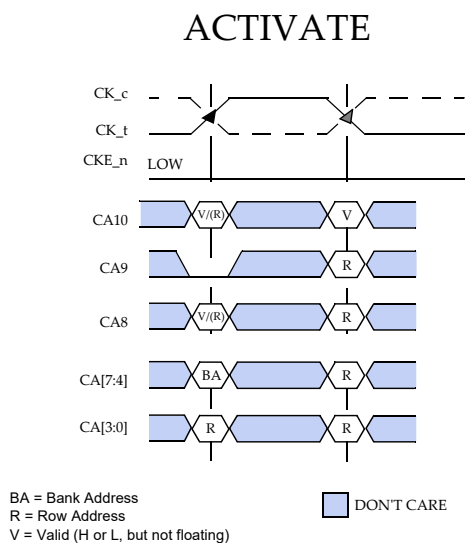
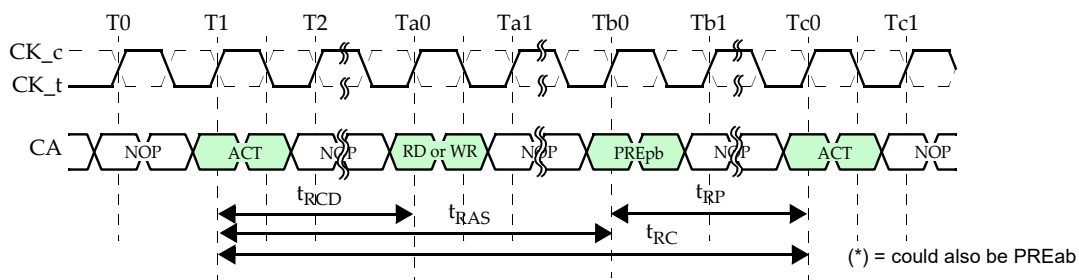


Figure 39. ACTIVATE Command



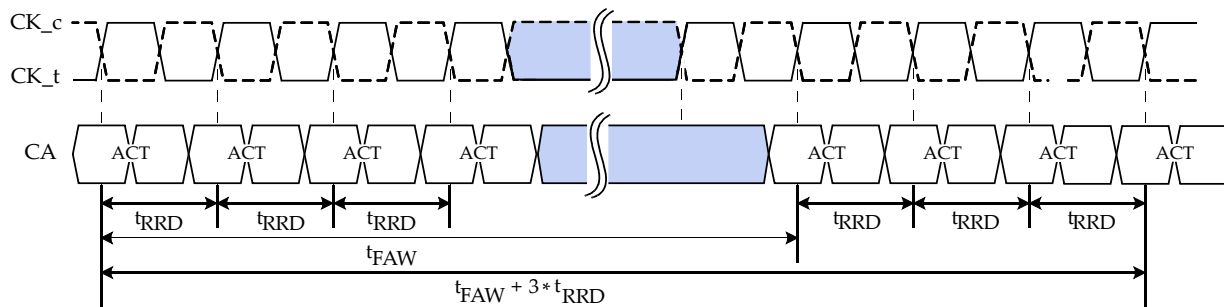
$t_{RCD} = t_{RCDRD}, t_{RCDWR}, t_{RCDRTR}, t_{RCDWTR}$ or t_{RCDLTR} , depending on command

Figure 40. Bank Activation Command Cycle

7.6 Bank Restrictions

There may be a need to limit the number of activates in a rolling window to ensure that the instantaneous current supplying capability of the devices is not exceeded. To reflect the short term capability of the device current supply, the parameter t_{FAW} (four activate window) is defined. No more than 4 banks may be activated in a rolling t_{FAW} window. Converting to clocks is done by dividing t_{FAW} (ns) by t_{CK} (ns) and rounding up to next integer value. As an example of the rolling window, if (t_{FAW}/t_{CK}) rounds up to 10 clocks, and an ACTIVATE command is issued at clock N, no more than three further ACTIVATE commands may be issued at clocks N+1 through N+9 as illustrated in Figure 41.

It is preferable that GDDR6 SGRAMs have no rolling activation window restrictions ($t_{FAW} = 4 * t_{RRD}$).



$t_{RRD} = t_{RRDL}$ or t_{RRDS} depending on Bank Groups on/off setting and accessed banks

Figure 41. t_{RRD} and t_{FAW}

7.7 WRITE (WOM)

WRITE bursts are initiated with a WRITE command as shown in Figure 42. The bank and column addresses are provided with the WRITE command and auto precharge is either enabled or disabled for that access with the AP bit (CA4 input falling edge of CK). If auto precharge is enabled, the row being accessed is precharged after $t_{WR}(\min)$ has been met or after the number of clock cycles programmed in the WR field of MR0, depending on the implementation choice per DRAM vendor. The length of the burst initiated with a WRITE command is sixteen and the column address is unique for this burst of sixteen. There is no interruption nor truncation of WRITE bursts. No write data is received, the array write access is suppressed, and the EDC hold pattern is driven instead of a CRC burst when the CE bit is LOW. In two channel mode CE shall be driven HIGH.

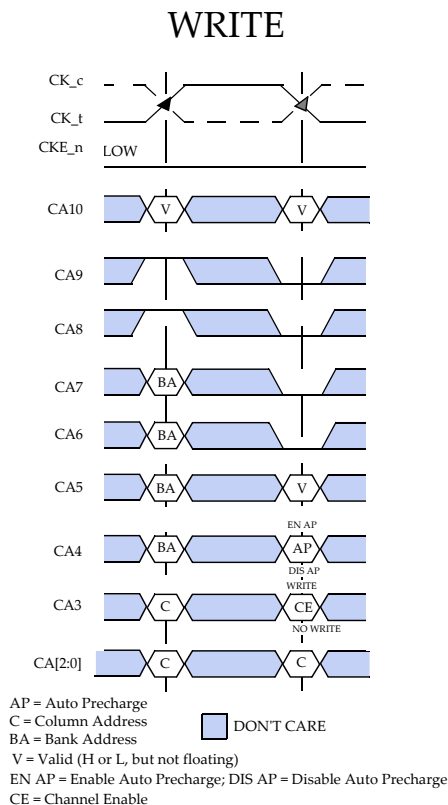


Figure 42. WRITE Command

WRITE timings are shown with DDR WCK ratio in Figure 43. During WRITE bursts, the first valid data-in element must be available at the input latch after the Write Latency (WL). The Write Latency is defined as $WL_{mrs} * t_{CK} + t_{WCK2CKPIN} + t_{WCK2CK} + t_{WCK2DQI}$, where WL_{mrs} is the number of clock cycles programed in MR0, $t_{WCK2CKPIN}$ is the phase offset between WCK and CK at the balls when phase aligned at phase detector, t_{WCK2CK} is the alignment error between WCK and CK at the phase detector, and $t_{WCK2DQI}$ is the WCK to DQ/DBI_n offset as measured at the DRAM balls to ensure concurrent arrival at the latch. The total delay is relative to the data eye center averaged over one byte. The maximum skew within a byte is defined by t_{DQDQI} .

The data input valid window, t_{DIPW} , defines the time region when input data must be valid for reliable data capture at the receiver for any one worst-case channel. It accounts for jitter between data and clock at the latching point introduced in the path between the DRAM pads and the latching point. Any additional jitter introduced into the source signals (i.e., within the system before the DRAM pad) must be accounted for in the final timing budget together with the chosen PLL/DLL mode and bandwidth. t_{DIPW} is for DRAM design only and valid on the silicon die. It is not intended to be measured. t_{DIPW} is defined for the PLL/DLL off and on mode separately. In the case of PLL on, t_{DIPW} must be specified for each supported bandwidth. In general t_{DIPW} is smaller than t_{DIPW} .

The data input pulse width, t_{DIPW} , defines the minimum positive or negative input pulse width for any one worst-case channel required for proper propagation of an external signal to the receiver. t_{DIPW} is for DRAM design only and valid on the silicon die. It is not intended to be measured. t_{DIPW} is independent of the PLL/DLL mode. In general t_{DIPW} is larger than t_{DIPW} .

Upon completion of a burst, assuming no other WRITE data is expected on the bus the DQ and DBI_n signals will be driven according to the ODT state. Any additional input data will be ignored. Data for any WRITE burst may not be truncated with a subsequent WRITE command.

Data from any WRITE burst may be concatenated with data from a subsequent WRITE command. A continuous flow of data can be maintained. The first data element from the new burst follows the last element of a completed burst. The new WRITE command should be issued after the previous WRITE command according to the t_{CCD} timing. If that WRITE command is to another bank then an ACTIVATE command must precede the WRITE command and t_{RCDWR} also must be met.

A READ can be issued any time after a WRITE command as long as the internal turn around time t_{WTR} is met. If that READ command is to another bank, then an ACTIVATE command must precede the READ command and t_{RCDRD} also must be met.

A PRECHARGE can also be issued after t_{WR} has been met. After the PRECHARGE command, a subsequent command to the same bank cannot be issued until t_{RP} is met.

The data inversion flag is received on DBI_n. If DBI_n is LOW the data is stored after inversion and not inverted if DBI_n is HIGH. WRITE Data Inversion can be enabled (OP9 = 0) or disabled (OP9 = 1) using WDBI in MR1.

When enabled by the WRCRC flag in MR4, EDC data are returned to the controller with a latency of $(WLmrs + CRCWL) * t_{CK} + t_{WCK2CKPIN} + t_{WCK2CK} + t_{WCK2DQO}$, where CRCWL is the CRC Write latency programmed in MR4 and $t_{WCK2DQO}$ is the WCK to DQ/DBI_n/EDC phase offset at the DRAM balls. GDDR6 supports both a Full data rate and Half data rate EDC as described in the EDC section.

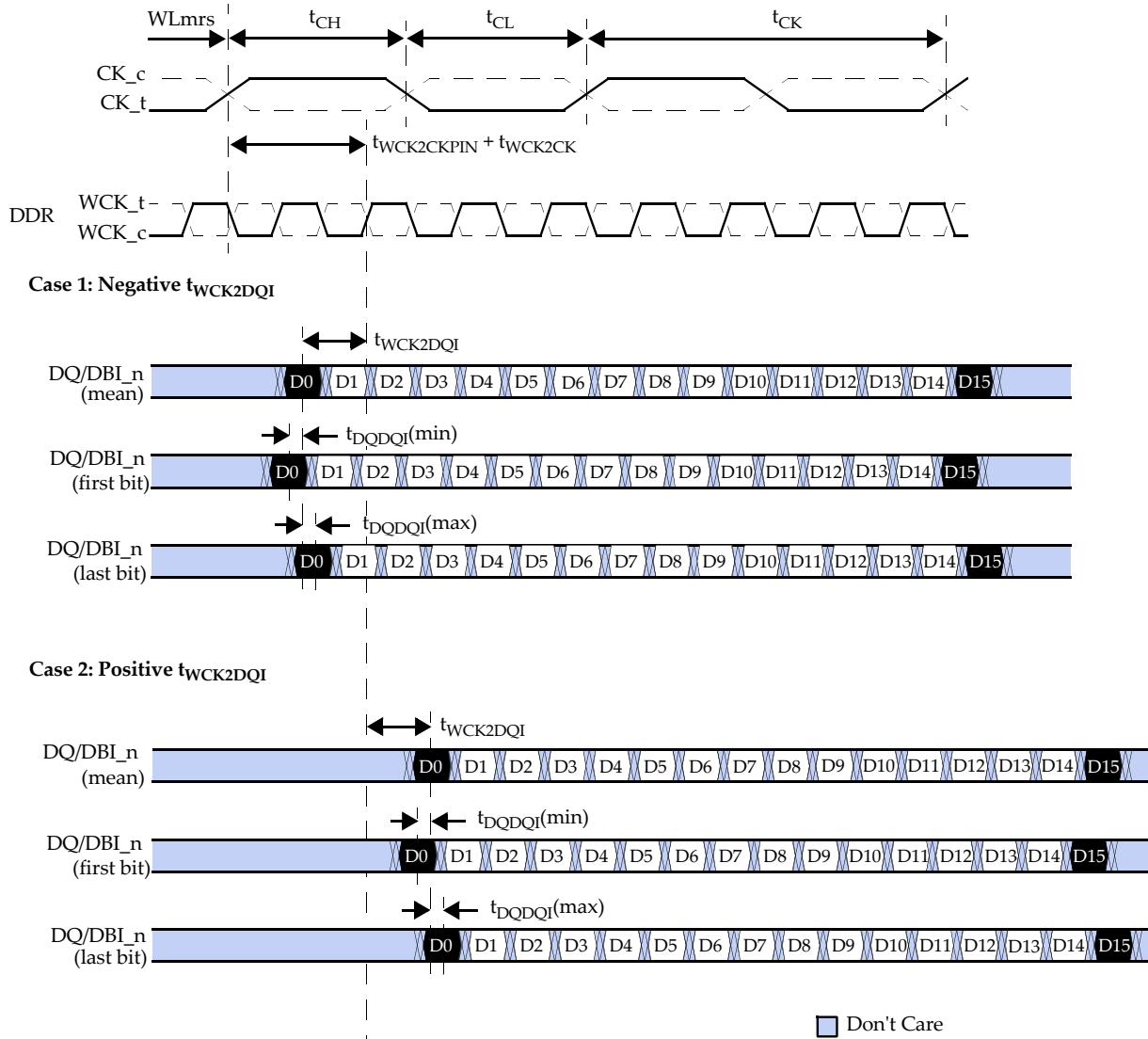


Figure 43. WRITE Lane Timings

- NOTE :**
- 1) $WLmrs$ is the WRITE latency programmed in Mode Register MR0.
 - 2) Timings are shown with positive $t_{WCK2CKPIN}$ and t_{WCK2CK} values. See WCK2CK timings for $t_{WCK2CKPIN}$ and t_{WCK2CK} ranges.
 - 3) $t_{WCK2DQI}$ parameter values could be negative or positive numbers, depending on PLL-on or PLL-off mode operation and design implementation. They also vary across PVT. Data training is required to determine the actual $t_{WCK2DQI}$ value for stable WRITE operation.
 - 4) t_{DQDQI} defines the minimum to maximum variation of $t_{WCK2DQI}$ within a single byte or double byte.
 - 5) Data Read timings are used for CRC return timing from WRITE commands with CRC enabled.

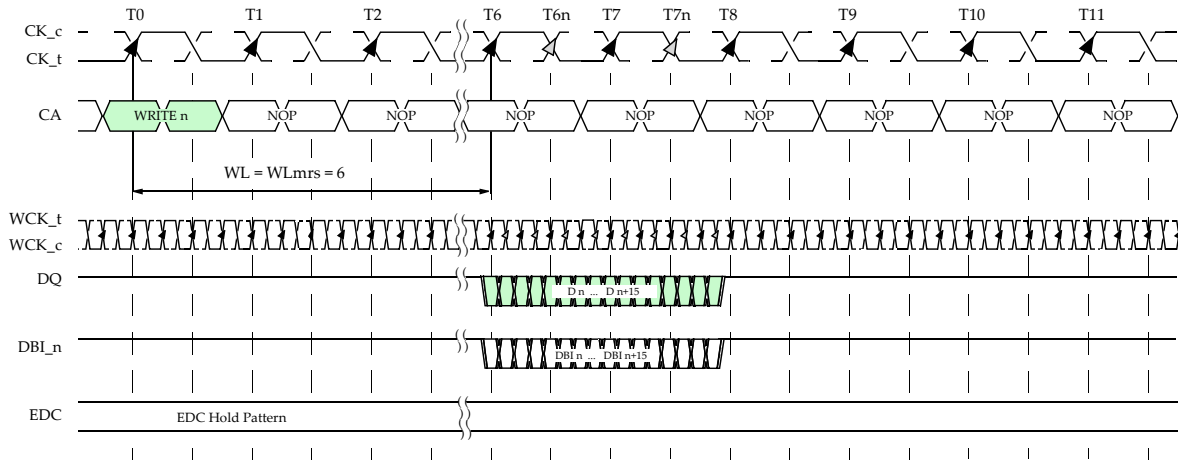


Figure 44. Single WRITE without EDC (WCK DDR mode)

NOTE :

- 1) WLmrs = 6 is shown as an example. Actual supported values will be found in the MR and AC timings sections.
- 2) WCK and CK are shown aligned ($t_{WCK2CKPIN}=0$, $t_{WCK2CK}=0$) for illustration purposes. WCK2CK training determines the needed offset between WCK and CK.
- 3) For WRITE operations it is important that the latching point meet the data valid window requirements, which may or may not be center aligned at the balls.
- 4) An ACTIVATE (ACT) command is required to be issued before the WRITE command, and t_{RCDWR} must be met.
- 5) $t_{WCK2DQI}$, $t_{WCKDQO} = 0$ is shown for illustration purposes.

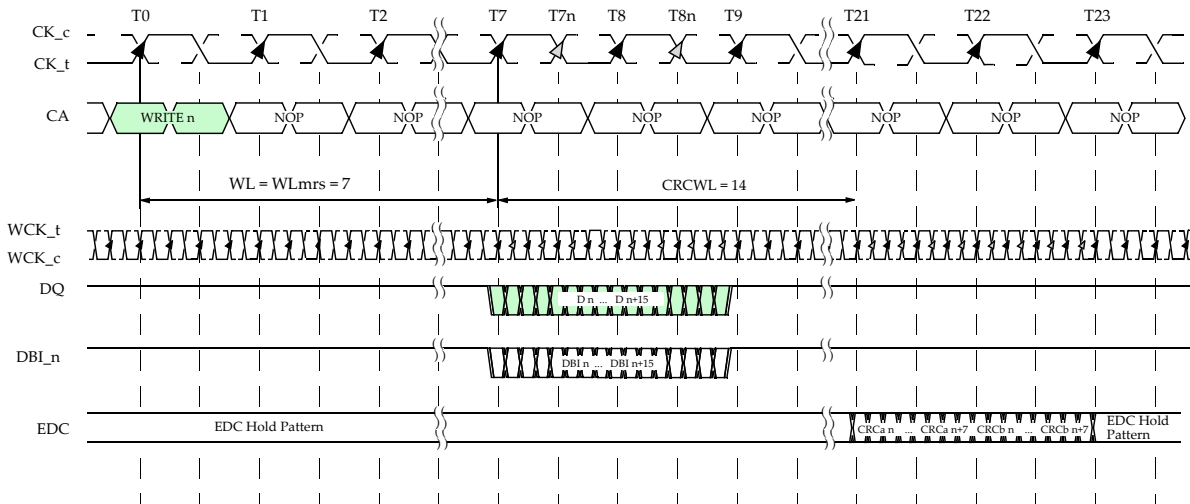


Figure 45. Single WRITE with EDC (Full data rate)

NOTE :

- 1) WLmrs = 7 and CRCWL = 14 is shown as an example. Actual supported values will be found in the MR and AC timings sections.
- 2) WCK and CK are shown aligned ($t_{WCK2CKPIN}=0$, $t_{WCK2CK}=0$) for illustration purposes. WCK2CK training determines the needed offset between WCK and CK.
- 3) For WRITE operations it is important that the latching point meet the data valid window requirements, which may or may not be center aligned at the balls.
- 4) An ACTIVATE (ACT) command is required to be issued before the WRITE command, and t_{RCDWR} must be met.
- 5) $t_{WCK2DQI}$, $t_{WCKDQO} = 0$ is shown for illustration purposes.

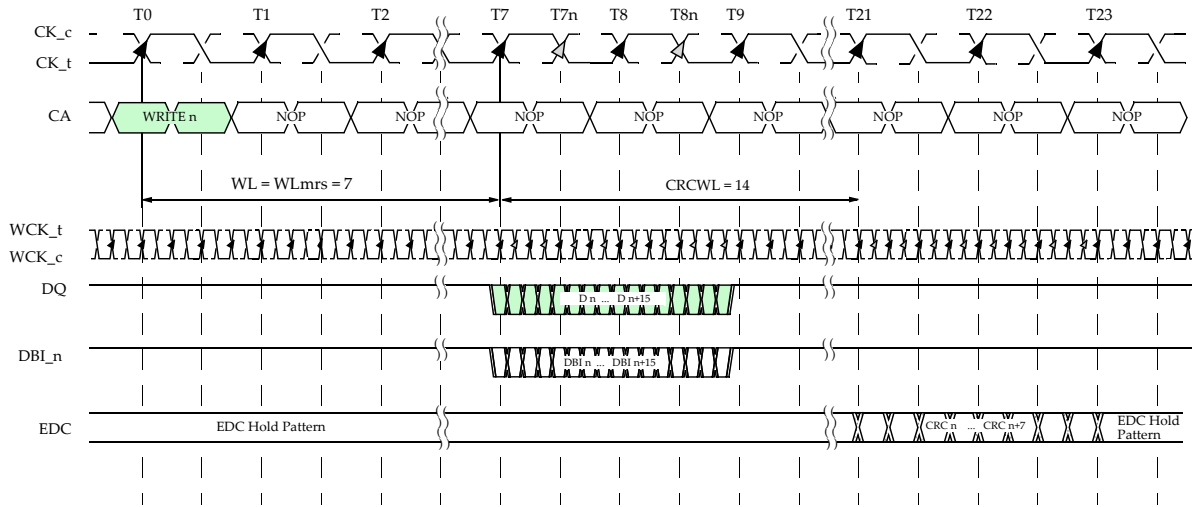


Figure 46. Single WRITE with EDC (Half data rate)

- NOTE :**
- 1) WLmrs = 7 and CRCWL = 14 is shown as an example. Actual supported values will be found in the MR and AC timings sections.
 - 2) WCK and CK are shown aligned ($t_{WCK2CKPIN}=0$, $t_{WCK2CK}=0$) for illustration purposes. WCK2CK training determines the needed offset between WCK and CK.
 - 3) For WRITE operations it is important that the latching point meet the data valid window requirements, which may or may not be center aligned at the balls.
 - 4) An ACTIVATE (ACT) command is required to be issued before the WRITE command, and t_{RCDWR} must be met.
 - 5) $t_{WCK2DQI}$, $t_{WCKDQO} = 0$ is shown for illustration purposes.

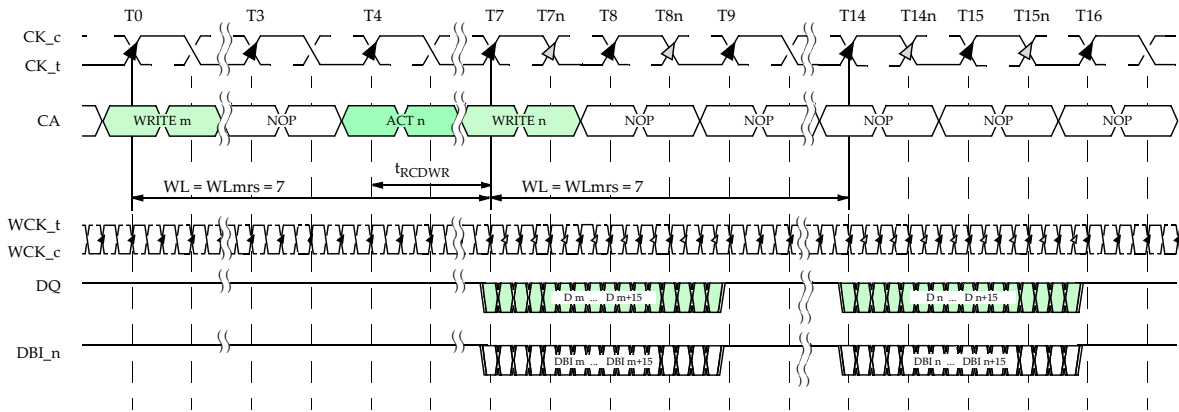


Figure 47. Non-Gapless WRITES

- NOTE :**
- 1) WLmrs = 7 and $t_{RCDWR} = 3$ is shown as an example. Actual supported values will be found in the MR and AC timings sections.
 - 2) WCK and CK are shown aligned ($t_{WCK2CKPIN}=0$, $t_{WCK2CK}=0$) for illustration purposes. WCK2CK training determines the needed offset between WCK and CK.
 - 3) EDC may be on or off. See figure entitled "Single WRITE with EDC" for EDC Timing.
 - 4) For WRITE operations it is important that the latching point meet the data valid window requirements, which may or may not be center aligned at the balls.
 - 5) An ACTIVATE (ACT) command is required to be issued before the WRITE commands, and t_{RCDWR} must be met.
 - 6) $t_{WCK2DQI} = 0$ is shown for illustration purposes.

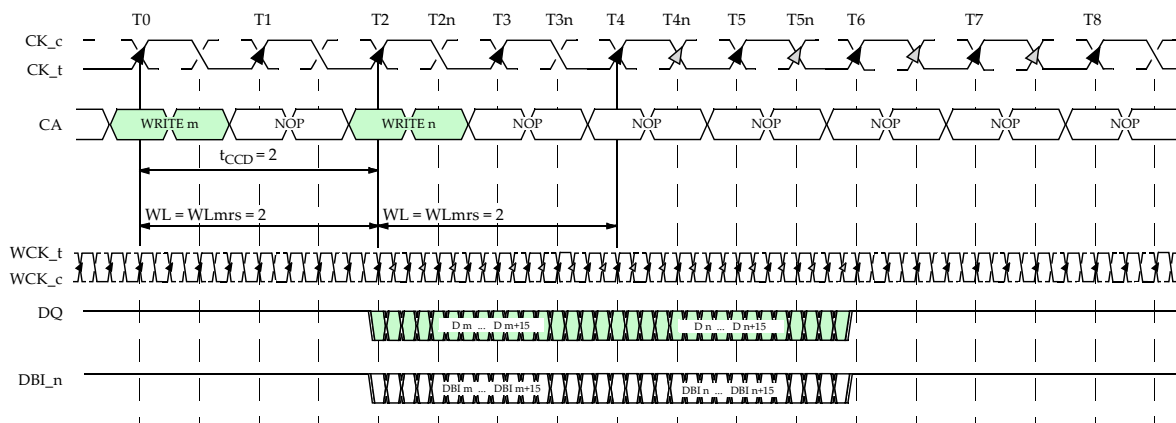


Figure 48. Gapless WRITES

- NOTE :**
- 1) $WL_{mrs} = 2$ is shown as an example. Actual supported values will be found in the MR and AC timings sections.
 - 2) WCK and CK are shown aligned ($t_{WCK2CKPIN}=0, t_{WCK2CK}=0$) for illustration purposes. WCK2CK training determines the needed offset between WCK and CK.
 - 3) EDC may be on or off. See figure entitled "Single WRITE with EDC" for EDC Timing.
 - 4) $t_{CCD} = t_{CCDS}$ when bank groups is disabled or the second WRITE is to a different bank group, otherwise $t_{CCD}=t_{CCDL}$.
 - 5) For WRITE operations it is important that the latching point meet the data valid window requirements, which may or may not be center aligned at the balls.
 - 6) An ACTIVATE (ACT) command is required to be issued before the WRITE commands, and t_{RCDWR} must be met.
 - 7) $t_{WCK2DQI} = 0$ is shown for illustration purposes.

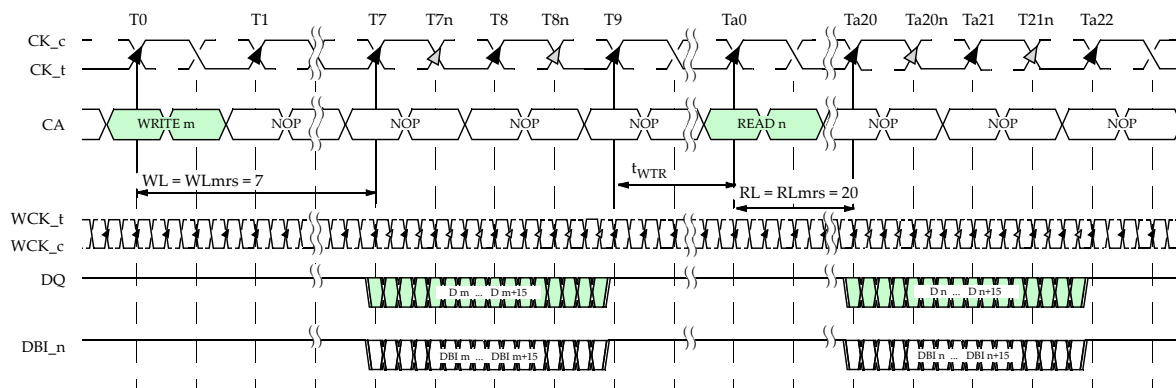


Figure 49. WRITE to READ

- NOTE :**
- 1) $WL_{mrs} = 7$ and $RL_{mrs} = 20$ is shown as an example. Actual supported values will be found in the MR and AC timings sections.
 - 2) WCK and CK are shown aligned ($t_{WCK2CKPIN}=0, t_{WCK2CK}=0$) for illustration purposes. WCK2CK training determines the needed offset between WCK and CK.
 - 3) EDC may be on or off. See figure entitled "Single WRITE with EDC" for EDC Timing.
 - 4) $t_{WTR} = t_{WTRL}$ when bank groups is enabled and both WRITE and READ access banks in the same bank group, otherwise $t_{WTR}=t_{WTRS}$.
 - 5) For WRITE operations it is important that the latching point meet the data valid window requirements, which may or may not be center aligned at the balls.
 - 6) An ACTIVATE (ACT) command is required to be issued before the READ and WRITE commands, and t_{RCDRD} or t_{RCDWR} , respectively, must be met.
 - 7) $t_{WCK2DQI}, t_{WCKDQO} = 0$ is shown for illustration purposes.

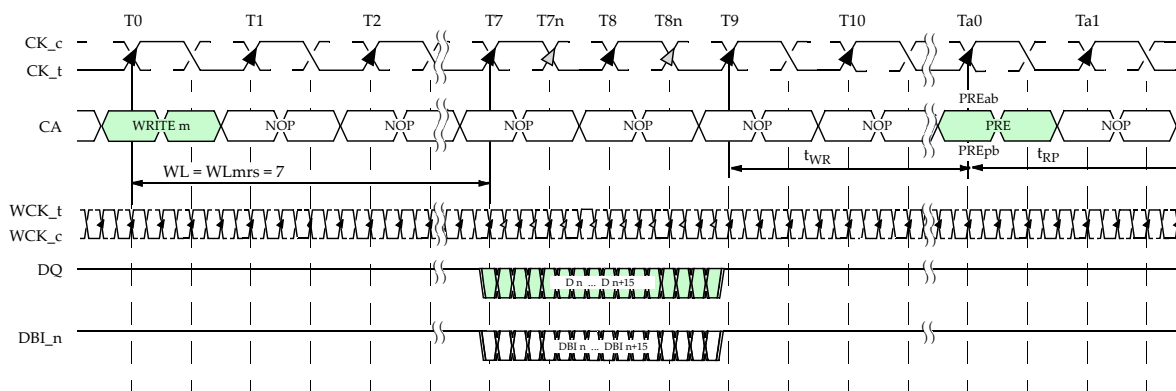


Figure 50. WRITE to PRECHARGE

- NOTE :**
- 1) WLmrs = 7 is shown as an example. Actual supported values will be found in the MR and AC timings sections.
 - 2) WCK and CK are shown aligned ($t_{WCK2CKPIN}=0$, $t_{WCK2CK}=0$) for illustration purposes. WCK2CK training determines the needed offset between WCK and CK.
 - 3) EDC may be on or off. See figure entitled "Single WRITE with EDC" for EDC Timing.
 - 4) For WRITE operations it is important that the latching point meet the data valid window requirements, which may or may not be center aligned at the balls.
 - 5) An ACTIVATE (ACT) command is required to be issued before the WRITE command, and t_{RCDWR} must be met.
 - 6) $t_{WCK2DQI} = 0$ is shown for illustration purposes.
 - 7) If auto precharge is enabled with the WRITE command, the precharge is initiated at the earliest possible time an explicit PRECHARGE would be allowed.

7.8 Write Data Mask (DM)

The traditional method of using a DM input for WRITE data mask must be abandoned for a new method. Due to the high data rate, bit errors are expected on the interface and are not recoverable when they occur on the traditional DM input.

In GDDR6 the DM is sent to the SGRAM over the CA bus following the bank/column address cycle associated with the command, during the NOP commands between the WRITE command and the next command. The DM is used to mask the corresponding data according to the following table.

[Table 46] DM State

FUNCTION	DM Value	DQ
Write Enable	0	Valid
Write Inhibit	1	X

Two additional WRITE commands that augment the traditional WRITE Without Mask (WOM) are required for proper DM support. The WOM command should be consulted for general WRITE operation and Table 71 should be consulted for timing differences between the 2 additional WRITE commands. The two additional WRITE commands may need an internal Read-Modify-Write if they follow another WRITE command to the same bank. See the detailed description and timing differences in Section 7.9 and Table 71. The commands for proper DM support are:

- WDM: WRITE-With-Double byte-Mask:

2 cycle command where the 1st cycle carries command and address information and the 2nd cycle carries data mask information (2 byte granularity);

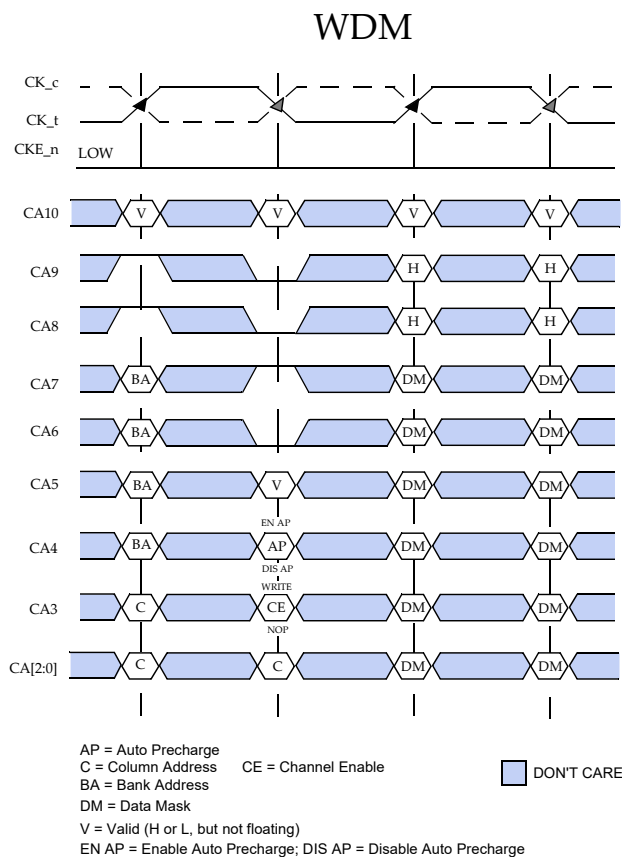


Figure 51. WRITE-With-Double byte-Mask Command

[Table 47] WDM Mapping x16 mode

		Byte and Burst Position Masked During WDM															
		2nd Cycle Rising Edge of CK								2nd Cycle Falling Edge of CK							
	Burst	0	1	2	3	4	5	6	7	8	9	10	11	12	13	14	15
D e v i c e 0	DQ0	CA0	CA1	CA2	CA3	CA4	CA5	CA6	CA7	CA0	CA1	CA2	CA3	CA4	CA5	CA6	CA7
	DQ1																
	DQ2																
	DQ3																
	DQ4																
	DQ5																
	DQ6																
	DQ7																
	DQ8																
	DQ9																
	DQ10																
	DQ11																
	DQ12																
	DQ13																
	DQ14																
	DQ15																

[Table 48] Example WDM x16 mode

		Byte and Burst Position Masked During WDM															
		2nd Cycle Rising Edge of CK								2nd Cycle Falling Edge of CK							
	Burst	0	1	2	3	4	5	6	7	8	9	10	11	12	13	14	15
D e v i c e 0	DQ0	0	0	0	0	0	0	0	0	1	1	1	1	1	1	1	1
	DQ1																
	DQ2																
	DQ3																
	DQ4																
	DQ5																
	DQ6																
	DQ7																
	DQ8																
	DQ9																
	DQ10																
	DQ11																
	DQ12																
	DQ13																
	DQ14																
	DQ15																

		Data out from Example WDM															
		1st Cycle Data															
	Burst	0	1	2	3	4	5	6	7	8	9	10	11	12	13	14	15
D e v i c e 0	DQ0	Data	Data	Data	Data	Data	Data	Data	Data	Masked							
	DQ1	Data	Data	Data	Data	Data	Data	Data	Data								
	DQ2	Data	Data	Data	Data	Data	Data	Data	Data								
	DQ3	Data	Data	Data	Data	Data	Data	Data	Data								
	DQ4	Data	Data	Data	Data	Data	Data	Data	Data								
	DQ5	Data	Data	Data	Data	Data	Data	Data	Data								
	DQ6	Data	Data	Data	Data	Data	Data	Data	Data								
	DQ7	Data	Data	Data	Data	Data	Data	Data	Data								
	DQ8	Data	Data	Data	Data	Data	Data	Data	Data								
	DQ9	Data	Data	Data	Data	Data	Data	Data	Data								
	DQ10	Data	Data	Data	Data	Data	Data	Data	Data								
	DQ11	Data	Data	Data	Data	Data	Data	Data	Data								
	DQ12	Data	Data	Data	Data	Data	Data	Data	Data								
	DQ13	Data	Data	Data	Data	Data	Data	Data	Data								
	DQ14	Data	Data	Data	Data	Data	Data	Data	Data								
	DQ15	Data	Data	Data	Data	Data	Data	Data	Data								

[Table 49] WDM Mapping x8 mode

		Byte and Burst Position Masked During WDM															
		2nd Cycle Rising Edge of CK								2nd Cycle Falling Edge of CK							
	Burst	0	1	2	3	4	5	6	7	8	9	10	11	12	13	14	15
D e v i c e 0	DQ0	CA0	CA1	CA2	CA3	CA4	CA5	CA6	CA7	CA0	CA1	CA2	CA3	CA4	CA5	CA6	CA7
	DQ1																
	DQ2																
	DQ3																
	DQ4																
	DQ5																
	DQ6																
	DQ7																
D e v i c e 1	DQ8	CA0	CA1	CA2	CA3	CA4	CA5	CA6	CA7	CA0	CA1	CA2	CA3	CA4	CA5	CA6	CA7
	DQ9																
	DQ10																
	DQ11																
	DQ12																
	DQ13																
	DQ14																
	DQ15																

[Table 50] Example WDM x8 mode

		Byte and Burst Position Masked During WDM															
		2nd Cycle Rising Edge of CK								2nd Cycle Falling Edge of CK							
	Burst	0	1	2	3	4	5	6	7	8	9	10	11	12	13	14	15
Device 0	DQ0	0	0	0	0	0	0	0	0	1	1	1	1	1	1	1	1
	DQ1																
	DQ2																
	DQ3																
	DQ4																
	DQ5																
	DQ6																
	DQ7																
Device 1	DQ8	0	0	0	0	0	0	0	0	1	1	1	1	1	1	1	1
	DQ9																
	DQ10																
	DQ11																
	DQ12																
	DQ13																
	DQ14																
	DQ15																

		Data out from Example WDM															
		1st Cycle Data															
	Burst	0	1	2	3	4	5	6	7	8	9	10	11	12	13	14	15
Device 0	DQ0	Data	Data	Data	Data	Data	Data	Data	Data	Masked							
	DQ1	Data	Data	Data	Data	Data	Data	Data	Data								
	DQ2	Data	Data	Data	Data	Data	Data	Data	Data								
	DQ3	Data	Data	Data	Data	Data	Data	Data	Data								
	DQ4	Data	Data	Data	Data	Data	Data	Data	Data								
	DQ5	Data	Data	Data	Data	Data	Data	Data	Data								
	DQ6	Data	Data	Data	Data	Data	Data	Data	Data								
	DQ7	Data	Data	Data	Data	Data	Data	Data	Data								
Device 1	DQ8	Data	Data	Data	Data	Data	Data	Data	Data	Masked							
	DQ9	Data	Data	Data	Data	Data	Data	Data	Data								
	DQ10	Data	Data	Data	Data	Data	Data	Data	Data								
	DQ11	Data	Data	Data	Data	Data	Data	Data	Data								
	DQ12	Data	Data	Data	Data	Data	Data	Data	Data								
	DQ13	Data	Data	Data	Data	Data	Data	Data	Data								
	DQ14	Data	Data	Data	Data	Data	Data	Data	Data								
	DQ15	Data	Data	Data	Data	Data	Data	Data	Data								

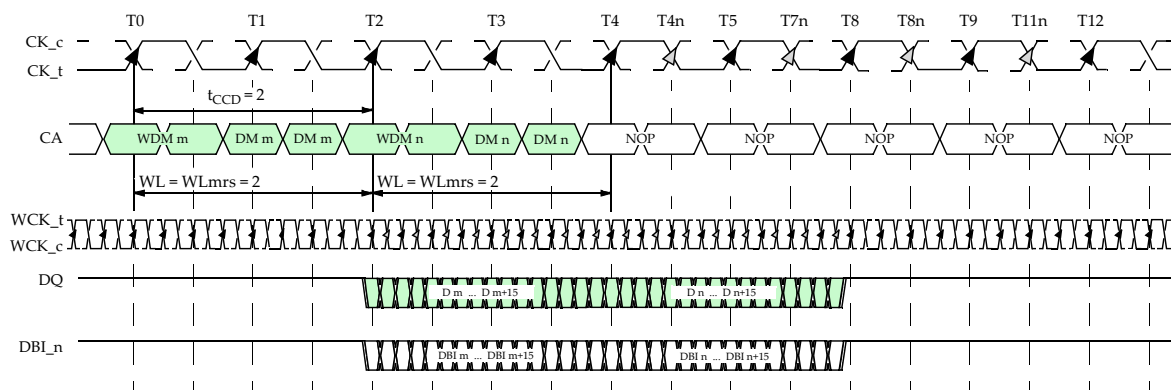


Figure 52. WDM Timing

- NOTE :**
- 1) $WLmrs = 2$ is shown as an example. Actual supported values will be found in the MR and AC timings sections.
 - 2) WCK and CK are shown aligned ($t_{WCK2CKPIN} = 0$, $t_{WCK2CK} = 0$) for illustration purposes. WCK2CK training determines the needed offset between WCK and CK.
 - 3) EDC may be on or off. See figure entitled "Single WRITE with EDC" for EDC Timing.
 - 4) $t_{CCD} = t_{CCDS}$ when bank groups is disabled or the second WRITE is to a different bank group, otherwise $t_{CCD} = t_{CCDL}$.
 - 5) For WRITE operations it is important that the latching point meet the data valid window requirements, which may or may not be center aligned at the balls.
 - 6) An ACTIVATE (ACT) command is required to be issued before the WRITE command, and t_{RCDWR} must be met.
 - 7) $t_{WCK2DQI} = 0$ is shown for illustration purposes.

- WSM: WRITE-With-Single byte-Mask:

3 cycle command where the 1st cycle carries command and address information and the 2nd and 3rd cycle carry data mask information (byte granularity);

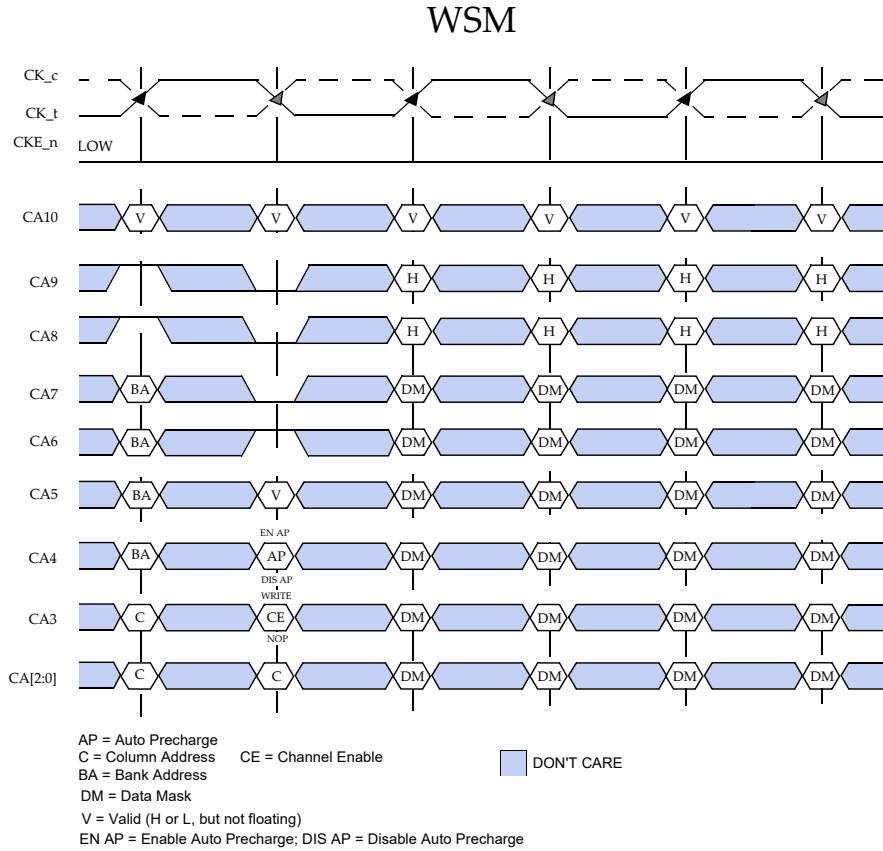


Figure 53. WRITE-With-Single byte-Mask Command

[Table 51] WSM Mapping x16 mode

		Byte and Burst Position Masked During WSM																														
Burst	2nd Cycle Rising Edge of CK							2nd Cycle Falling Edge of CK							3rd Cycle Rising Edge of CK							3rd Cycle Falling Edge of CK										
	0	1	2	3	4	5	6	7	8	9	10	11	12	13	14	15	0	1	2	3	4	5	6	7	8	9	10	11	12	13	14	15
DQ0																																
DQ1																																
DQ2																																
DQ3	CA0	CA1	CA2	CA3	CA4	CA5	CA6	CA7	CA0	CA1	CA2	CA3	CA4	CA5	CA6	CA7	CA0	CA1	CA2	CA3	CA4	CA5	CA6	CA7	CA0	CA1	CA2	CA3	CA4	CA5	CA6	CA7
DQ4																																
DQ5																																
DQ6																																
DQ7																																
DQ8																																
DQ9																																
DQ10																																
DQ11																																
DQ12																																
DQ13																																
DQ14																																
DQ15																																

[Table 52] Example WSM x16 mode

		Byte and Burst Position Masked During WSM																													
Burst	2nd Cycle Rising Edge of CK							2nd Cycle Falling Edge of CK							3rd Cycle Rising Edge of CK							3rd Cycle Falling Edge of CK									
	0	1	2	3	4	5	6	7	8	9	10	11	12	13	14	15	0	1	2	3	4	5	6	7	8	9	10	11	12	13	14
DQ0																															
DQ1																															
DQ2																															
DQ3	1	1	1	1	1	1	1	0	0	0	0	0	0	0	0	0	0	0	0	0	0	0	0	1	1	1	1	1	1	1	1
DQ4																															
DQ5																															
DQ6																															
DQ7																															
DQ8																															
DQ9																															
DQ10																															
DQ11																															
DQ12																															
DQ13																															
DQ14																															
DQ15																															

		Data output from Example WSM														
		1st Cycle Data														
Burst	0	1	2	3	4	5	6	7	8	9	10	11	12	13	14	15
DQ0								Data	Data	Data	Data	Data	Data	Data	Data	Data
DQ1								Data	Data	Data	Data	Data	Data	Data	Data	Data
DQ2								Data	Data	Data	Data	Data	Data	Data	Data	Data
DQ3								Data	Data	Data	Data	Data	Data	Data	Data	Data
DQ4								Data	Data	Data	Data	Data	Data	Data	Data	Data
DQ5								Data	Data	Data	Data	Data	Data	Data	Data	Data
DQ6								Data	Data	Data	Data	Data	Data	Data	Data	Data
DQ7								Data	Data	Data	Data	Data	Data	Data	Data	Data
DQ8	Data	Data	Data	Data	Data	Data	Data									
DQ9	Data	Data	Data	Data	Data	Data	Data									
DQ10	Data	Data	Data	Data	Data	Data	Data									
DQ11	Data	Data	Data	Data	Data	Data	Data									
DQ12	Data	Data	Data	Data	Data	Data	Data									
DQ13	Data	Data	Data	Data	Data	Data	Data									
DQ14	Data	Data	Data	Data	Data	Data	Data									
DQ15	Data	Data	Data	Data	Data	Data	Data									

[Table 53] WSM Mapping for x8 mode

		Byte and Burst Position Masked During WSM for x8 mode device																															
		2nd Cycle Rising Edge of CK							2nd Cycle Falling Edge of CK							3rd Cycle Rising Edge of CK							3rd Cycle Falling Edge of CK										
Burst		0	1	2	3	4	5	6	7	8	9	10	11	12	13	14	15	0	1	2	3	4	5	6	7	8	9	10	11	12	13	14	15
Device 0	DQ0																																
	DQ1																																
	DQ2																																
	DQ3																																
	DQ4	CA0	CA1	CA2	CA3	CA4	CA5	CA6	CA7	CA0	CA1	CA2	CA3	CA4	CA5	CA6	CA7																
	DQ5																																
	DQ6																																
	DQ7																																

[Table 54] WSM Mapping for x8 mode

		Byte and Burst Position Masked During WSM for x8 mode device																															
		2nd Cycle Rising Edge of CK							2nd Cycle Falling Edge of CK							3rd Cycle Rising Edge of CK							3rd Cycle Falling Edge of CK										
Burst		0	1	2	3	4	5	6	7	8	9	10	11	12	13	14	15	0	1	2	3	4	5	6	7	8	9	10	11	12	13	14	15
Device 1	DQ8																																
	DQ9																																
	DQ10																																
	DQ11																																
	DQ12	CA0	CA1	CA2	CA3	CA4	CA5	CA6	CA7	CA0	CA1	CA2	CA3	CA4	CA5	CA6	CA7	CA0	CA1	CA2	CA3	CA4	CA5	CA6	CA7	CA0	CA1	CA2	CA3	CA4	CA5	CA6	CA7
	DQ13																																
	DQ14																																
	DQ15																																

[Table 55] Example WSM

		Byte and Burst Position Masked During WSM for x8 mode device																															
		2nd Cycle Rising Edge of CK							2nd Cycle Falling Edge of CK							3rd Cycle Rising Edge of CK							3rd Cycle Falling Edge of CK										
Burst		0	1	2	3	4	5	6	7	8	9	10	11	12	13	14	15	0	1	2	3	4	5	6	7	8	9	10	11	12	13	14	15
Device 0	DQ0																																
	DQ1																																
	DQ2																																
	DQ3																																
	DQ4	1	1	1	1	1	1	1	1	0	0	0	0	0	0	0	0																
	DQ5																																
	DQ6																																
	DQ7																																

		Byte and Burst Position Masked During WSM for x8 mode device																															
		2nd Cycle Rising Edge of CK							2nd Cycle Falling Edge of CK							3rd Cycle Rising Edge of CK							3rd Cycle Falling Edge of CK										
Burst		0	1	2	3	4	5	6	7	8	9	10	11	12	13	14	15	0	1	2	3	4	5	6	7	8	9	10	11	12	13	14	15
Device 1	DQ8																																
	DQ9																																
	DQ10																																
	DQ11																																
	DQ12	0	0	0	0	0	0	0	0	1	1	1	1	1	1	1	1	1	1	1	1	1	1	1	1	1	1	1	1	1	1	1	1
	DQ13																																
	DQ14																																
	DQ15																																

		Data output from Example WSM x8 mode															
		1st Cycle Data															
Burst		0	1	2	3	4	5	6	7	8	9	10	11	12	13	14	15
Device 0	DQ0	Masked								Data	Data	Data	Data	Data	Data	Data	Data
	DQ1	Masked								Data	Data	Data	Data	Data	Data	Data	Data
	DQ2	Masked								Data	Data	Data	Data	Data	Data	Data	Data
	DQ3	Masked								Data	Data	Data	Data	Data	Data	Data	Data
	DQ4	Masked								Data	Data	Data	Data	Data	Data	Data	Data
	DQ5	Masked								Data	Data	Data	Data	Data	Data	Data	Data
	DQ6	Masked								Data	Data	Data	Data	Data	Data	Data	Data
	DQ7	Masked								Data	Data	Data	Data	Data	Data	Data	Data
Device 1	DQ8	Data	Data	Data	Data	Data	Data	Data	Data	Masked							
	DQ9	Data	Data	Data	Data	Data	Data	Data	Data	Masked							
	DQ10	Data	Data	Data	Data	Data	Data	Data	Data	Masked							
	DQ11	Data	Data	Data	Data	Data	Data	Data	Data	Masked							
	DQ12	Data	Data	Data	Data	Data	Data	Data	Data	Masked							
	DQ13	Data	Data	Data	Data	Data	Data	Data	Data	Masked							
	DQ14	Data	Data	Data	Data	Data	Data	Data	Data	Masked							
	DQ15	Data	Data	Data	Data	Data	Data	Data	Data	Masked							

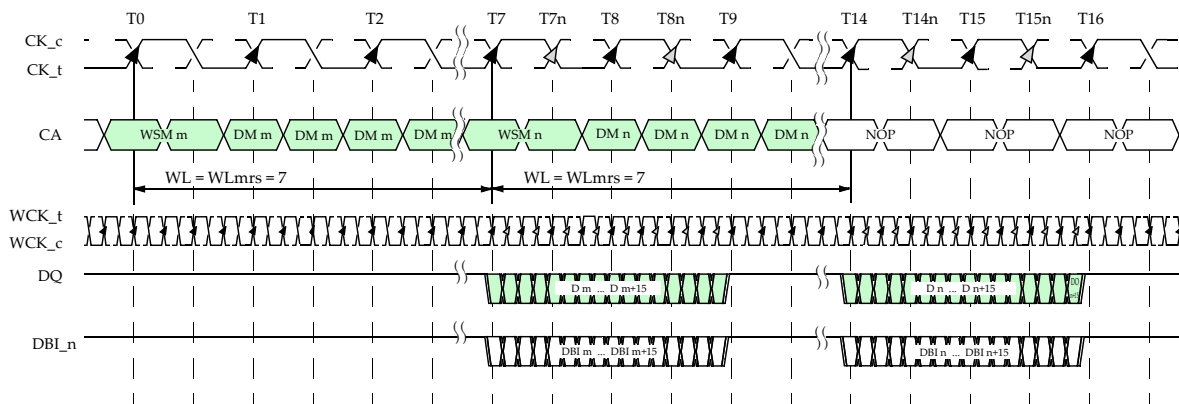


Figure 54. WSM Timing

- NOTE :**
- 1) $WL_{mrs} = 7$ is shown as an example. Actual supported values will be found in the MR and AC timings sections.
 - 2) WCK and CK are shown aligned ($t_{WCK2CKPIN}=0$, $t_{WCK2CK}=0$) for illustration purposes. WCK2CK training determines the needed offset between WCK and CK.
 - 3) EDC may be on or off. See figure entitled "Single WRITE with EDC" for EDC Timing.
 - 4) For WRITE operations it is important that the latching point meet the data valid window requirements, which may or may not be center aligned at the balls.
 - 5) An ACTIVATE (ACT) command is required to be issued before the WRITE command, and t_{RCDWR} must be met.
 - 6) $t_{WCK2DQI} = 0$ is shown for illustration purposes.

7.9 Masked Write Data Timing Constraints

A Masked Write command, either WSM or WDM, to the same bank cannot be issued until t_{CCDMW} later, to allow the device to finish any internal Read-Modify-Write as shown in Table 71. If an internal Read-Modify-Write is not needed by the device then $t_{CCDMW} = t_{CCD}$. The need for an internal Read-Modify-Write and $t_{CCDMW} > t_{CCD}$ is vendor specific, vendor datasheets should be consulted.

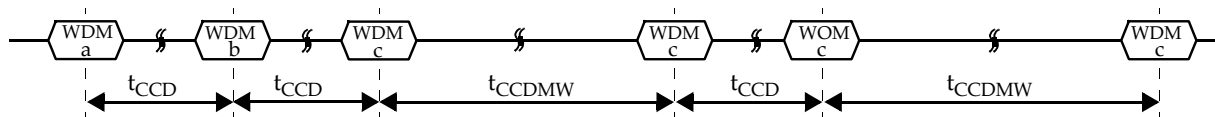


Figure 55. WDM and WSM Timing with t_{CCDMW}

- NOTE :**
- 1) WDM is shown as an example. Timing applies to either WDM or WSM commands.
 - 2) a,b and c are different Banks.
 - 3) t_{CCD} is either t_{CCDL} or t_{CCDS} .

7.10 READ

A READ burst is initiated with a READ command as shown in Figure 56. The bank and column addresses are provided with the READ command and auto precharge is either enabled or disabled for that access with the AP bit (CA4 input falling edge of CK). If auto precharge is enabled, the row being accessed is precharged at a time t_{RTP} after the READ command and after $t_{RAS(min)}$ has been met or after the number of clock cycles programmed in the RAS field of MR5, depending on the implementation choice per DRAM vendor. The length of the burst initiated with a READ command is sixteen and the column address is unique for this burst of sixteen. There is no interruption nor truncation of READ bursts. The array read access is suppressed, no read data and the EDC hold pattern instead of a CRC burst are transmitted when the CE bit is LOW. In two channel mode CE shall be driven HIGH.

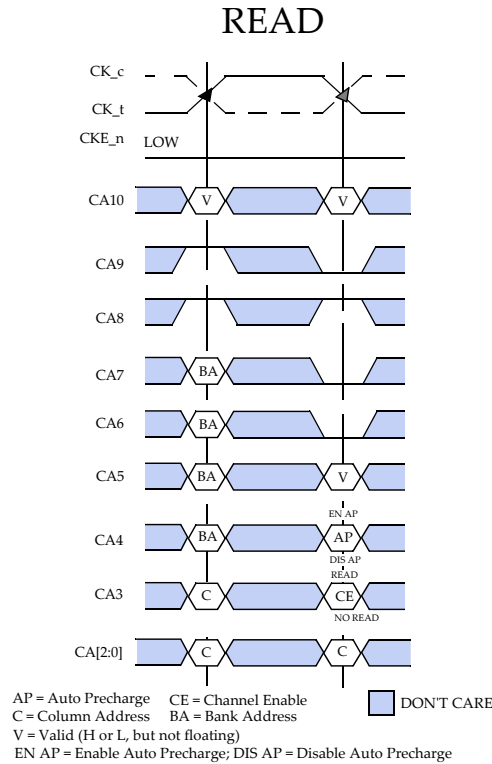


Figure 56. READ Command

READ timings are shown with DDR WCK ratio in Figure 57. During READ bursts, the first valid data-out element will be available after the Read latency (RL). The Read Latency is defined as $RL_{mrs} * t_{CK} + t_{WCK2CKPIN} + t_{WCK2CK} + t_{WCK2DQO}$, where RL_{mrs} is the number of clock cycles programmed in MR0, $t_{WCK2CKPIN}$ is the phase offset between WCK and CK at the balls when phase aligned at the phase detector, t_{WCK2CK} is the alignment error between WCK and CK at the phase detector, and $t_{WCK2DQO}$ is the WCK to DQ/DBI_n/EDC offset as measured at the DRAM balls. The total delay is relative to the data eye initial edge averaged over one byte. The maximum skew within a byte is defined by t_{DQDQO} .

Upon completion of a burst, assuming no other READ command has been initiated, all DQ and DBI_n signals will drive a value of '1' and the ODT will be enabled at a maximum of $1 t_{CK}$ later. The drive value and termination value may be different due to separately defined calibration offsets. If the ODT is disabled, the signals will drive Hi-Z.

Data from any READ burst may be concatenated with data from a subsequent READ command. A continuous flow of data can be maintained. The first data element from the new burst follows the last element of a completed burst. The new READ command should be issued after the previous READ command according to the t_{CCD} timing. If that READ command is to another bank then an ACTIVATE command must precede the READ command and t_{RCDRD} also must be met.

A WRITE can be issued any time after a READ command as long as the bus turn around time t_{RTW} is met. If that WRITE command is to another bank, then an ACTIVATE command must precede the second WRITE command and t_{RCDWR} also must be met. A PRECHARGE can also be issued with the same timing restriction as the new READ command if t_{RAS} is met. After the PRECHARGE command, a subsequent command to the same bank cannot be issued until t_{RP} is met.

The data inversion flag is driven on the DBI_n pin to identify whether the data is true or inverted data. If DBI_n is HIGH, the data is not inverted, and if LOW it is inverted. Read Data Inversion can be enabled (OP8 = 0) or disabled (OP8 = 1) using RDBI in MR1.

When enabled by the RDCRC flag in MR4 EDC data is returned to the controller with a latency of $(RL_{mrs} + CRCRL) * t_{CK} + t_{WCK2CKPIN} + t_{WCK2CK} + t_{WCK2DQO}$, where CRCRL is the CRC Read latency programmed in MR4. GDDR6 supports both a Full data rate and Half data rate EDC as described in the EDC section.

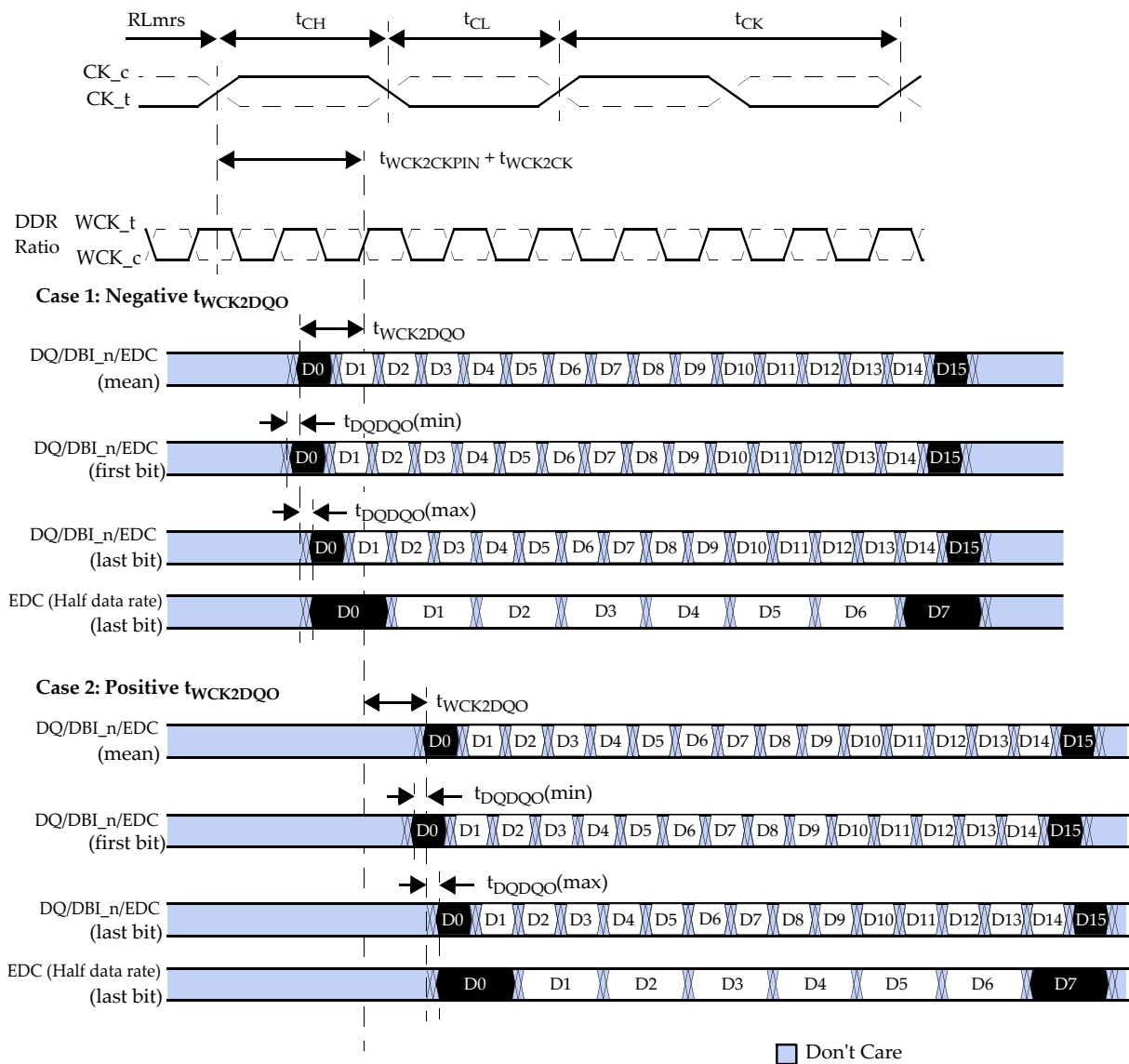


Figure 57. READ Lane Timing

- NOTE :**
- 1) RLmrs is the Read Latency programmed in Mode Register MR0.
 - 2) Timings are shown with positive t_{WCK2CKPIN} and t_{WCK2CK} values. See WCK2CK timings for t_{WCK2CKPIN} and t_{WCK2CK} ranges.
 - 3) t_{WCK2DQO} parameter values could be negative or positive numbers, depending on PLL-on or PLL-off mode operation and design implementation. They also vary across PVT. Data training is required to determine the actual t_{WCK2DQO} value for stable READ operation.
 - 4) t_{DQDQO} defines the minimum to maximum variation of t_{WCK2DQO} within a byte or double byte.
 - 5) t_{DQDQO} also applies for CRC data from WRITE and READ commands with CRC enabled and the EDC hold pattern.
 - 6) EDC is shown with Full data rate EDC. Half data rate EDC (last bit) is shown separately for comparison.

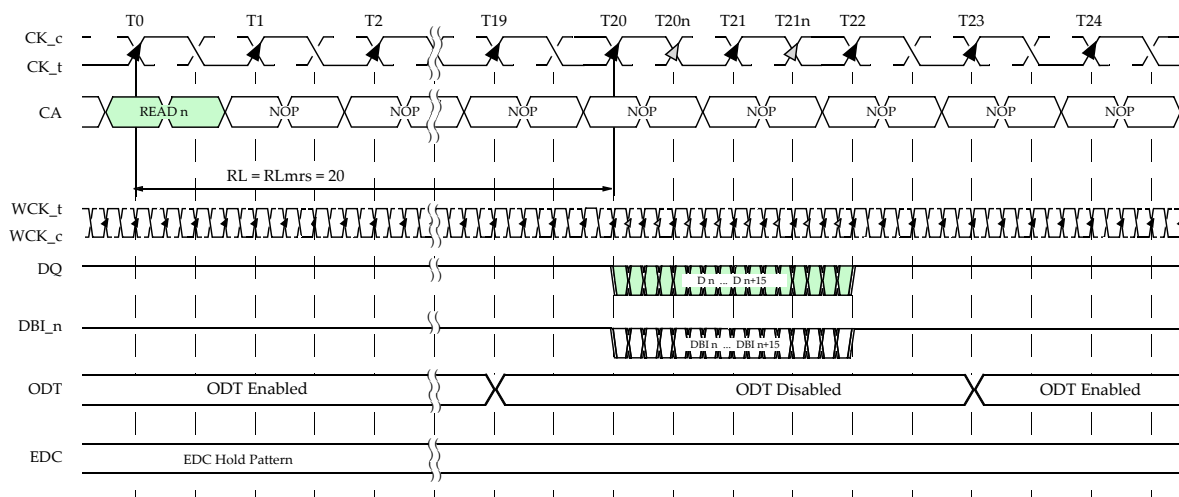


Figure 58. Single READ without EDC (WCK DDR mode)

- NOTE :**
- 1) $RL_{mrs} = 20$ is shown as an example. Actual supported values will be found in the MR and AC timings sections.
 - 2) WCK and CK are shown aligned ($t_{WCK2CKPIN}=0$, $t_{WCK2CK}=0$) for illustration purposes. WCK2CK training determines the needed offset between WCK and CK.
 - 3) An ACTIVATE (ACT) command is required to be issued before the READ command, and t_{RCDRD} must be met.
 - 4) $t_{WCK2DQO} = 0$ is shown for illustration purposes.

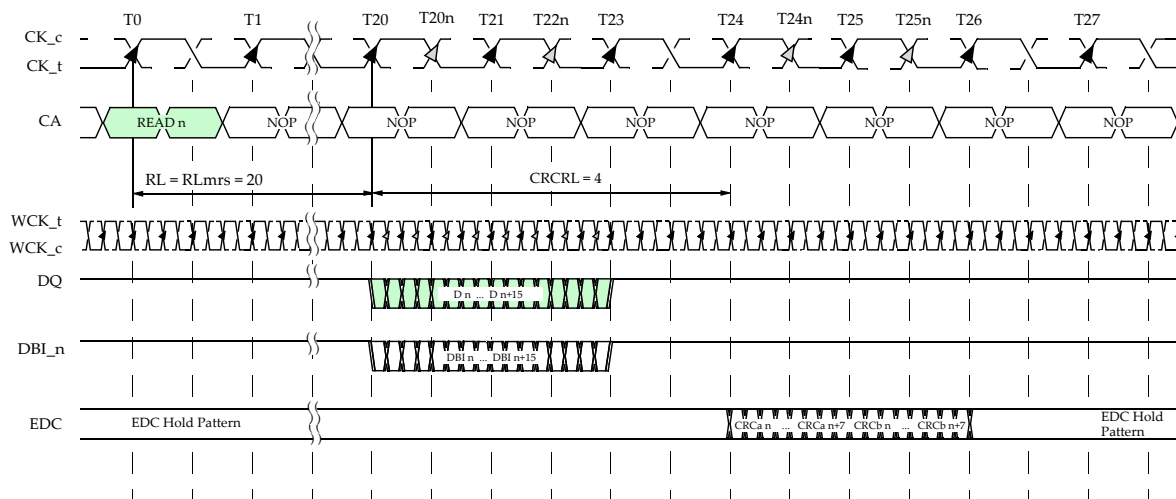


Figure 59. Single READ with EDC (Full data rate)

- NOTE :**
- 1) $RL_{mrs} = 20$ and $CRCRL = 4$ are shown as examples. Actual supported values will be found in the MR and AC timings sections.
 - 2) WCK and CK are shown aligned ($t_{WCK2CKPIN}=0$, $t_{WCK2CK}=0$) for illustration purposes. WCK2CK training determines the needed offset between WCK and CK.
 - 3) An ACTIVATE (ACT) command is required to be issued before the READ command, and t_{RCDRD} must be met.
 - 4) $t_{WCK2DQO} = 0$ is shown for illustration purposes.

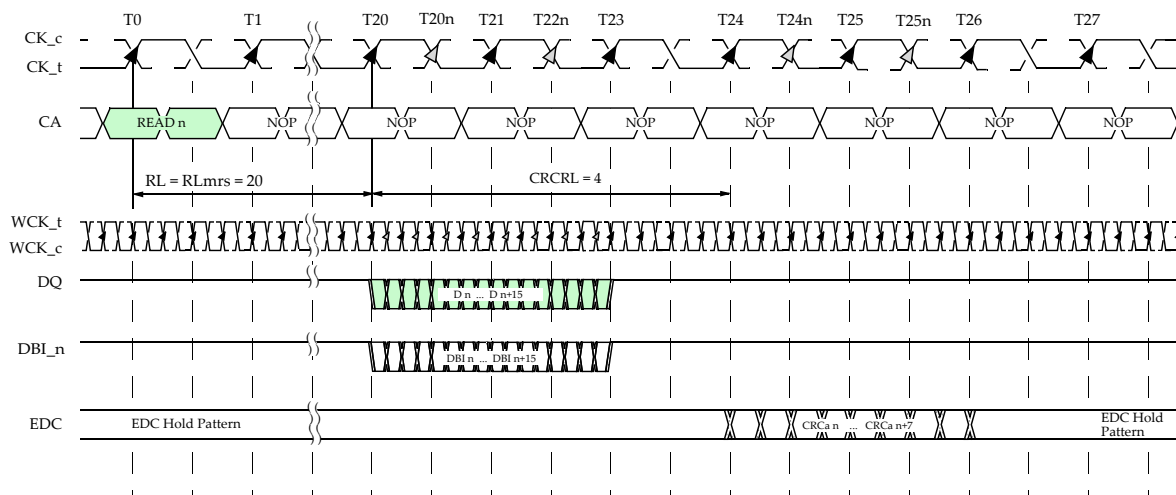


Figure 60. Single READ with EDC (Half data rate)

- NOTE :**
- 1) $RL_{mrs} = 20$ and $CRCL = 4$ are shown as examples. Actual supported values will be found in the MR and AC timings sections.
 - 2) WCK and CK are shown aligned ($t_{WCK2CKPIN}=0, t_{WCK2CK}=0$) for illustration purposes. WCK2CK training determines the needed offset between WCK and CK.
 - 3) An ACTIVATE (ACT) command is required to be issued before the READ command, and t_{RCDRD} must be met.
 - 4) $t_{WCK2DQO} = 0$ is shown for illustration purposes.

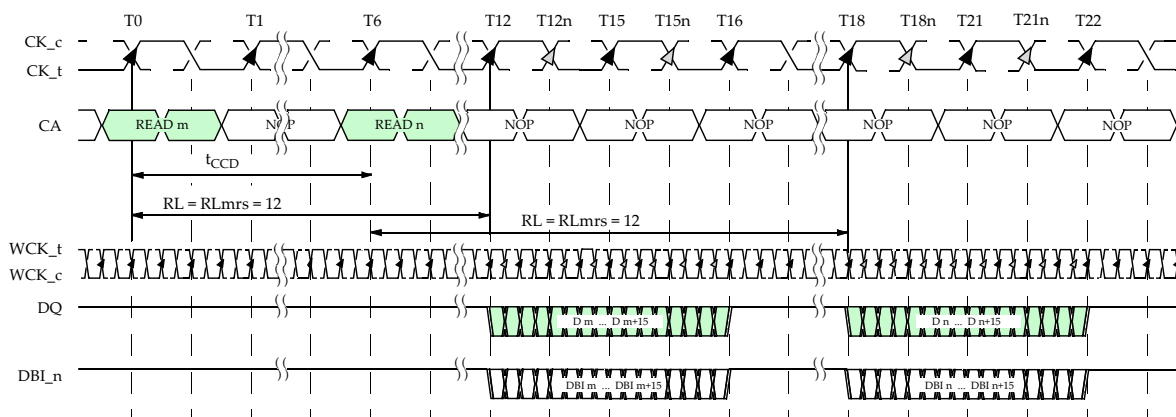


Figure 61. Non-Gapless READs

- NOTE :**
- 1) $RL_{mrs} = 12$ is shown as an example. Actual supported values will be found in the MR and AC timings sections.
 - 2) WCK and CK are shown aligned ($t_{WCK2CKPIN}=0, t_{WCK2CK}=0$) for illustration purposes. WCK2CK training determines the needed offset between WCK and CK.
 - 3) EDC may be on or off. See figure entitled "Single READ with EDC" for EDC Timing.
 - 4) $t_{CCD} = t_{CCDL}$ when bank groups are enabled and both READs access banks in the same bank group; otherwise $t_{CCD}=t_{CCDS}$.
 - 5) An ACTIVATE (ACT) command is required to be issued before the READ commands, and t_{RCDRD} must be met.
 - 6) $t_{WCK2DQI} = 0$ is shown for illustration purposes.

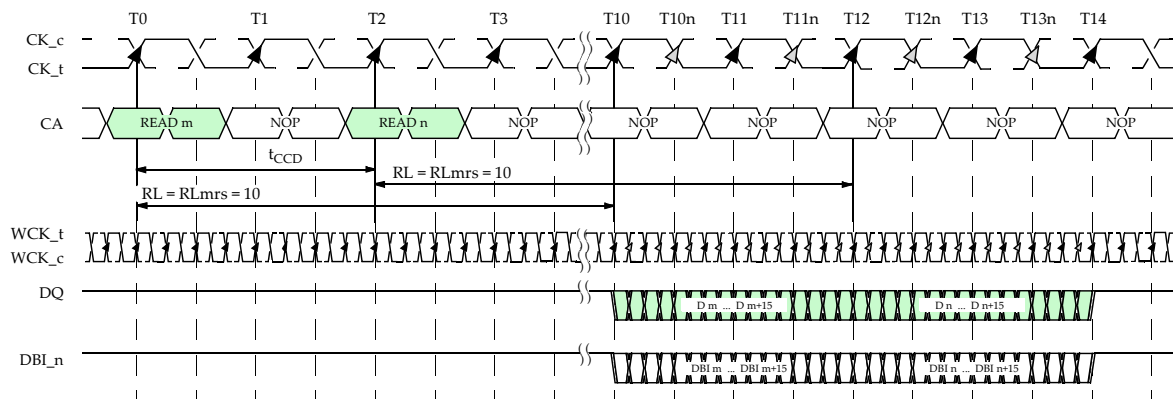


Figure 62. Gapless READs

- NOTE :**
- 1) RL_{mrs} = 10 is shown as an example. Actual supported values will be found in the MR and AC timings sections.
 - 2) WCK and CK are shown aligned (t_{WCK2CKPIN}=0, t_{WCK2CK}=0) for illustration purposes. WCK2CK training determines the needed offset between WCK and CK.
 - 3) EDC may be on or off. See figure entitled "Single READ with EDC" for EDC Timing.
 - 4) t_{CCD} = t_{CCDS} when bank groups are disabled or the second READ is to a different bank group; otherwise t_{CCD}=t_{CCDL}.
 - 5) An ACTIVATE (ACT) command is required to be issued before the READ commands, and t_{RCDRD} must be met.
 - 6) t_{WCK2DQI} = 0 is shown for illustration purposes.

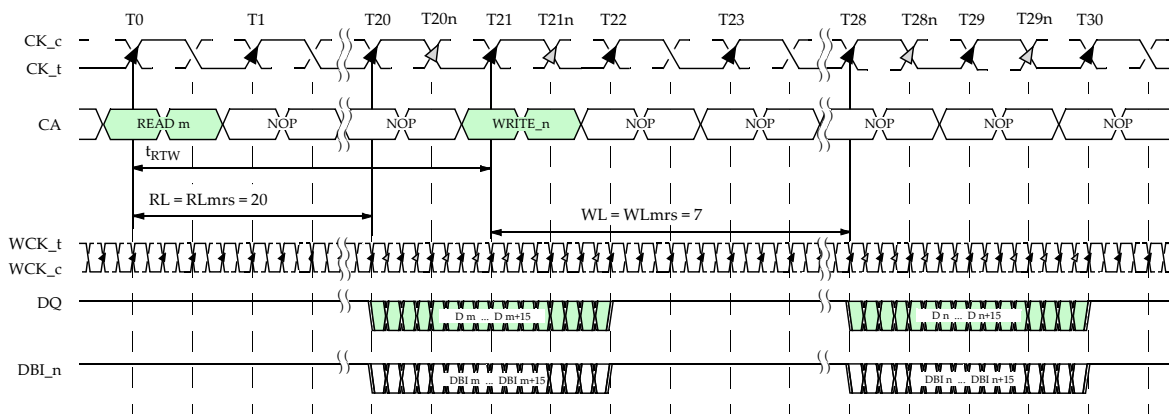


Figure 63. READ to WRITE

- NOTE :**
- 1) WL_{mrs} = 7 and RL_{mrs} = 20 is shown as an example. Actual supported values will be found in the MR and AC timings sections.
 - 2) WCK and CK are shown aligned (t_{WCK2CKPIN}=0, t_{WCK2CK}=0) for illustration purposes. WCK2CK training determines the needed offset between WCK and CK.
 - 3) EDC may be on or off. See figure entitled "Single READ with EDC" for EDC Timing.
 - 4) t_{RTW} is not a device limit but determined by the system bus turnaround time. The difference between t_{WCK2DQI}, t_{WCK2DQO} shall be considered in the calculation of the bus turnaround time.
 - 5) For WRITE operations it is important that the latching point meet the data valid window requirements, which may or may not be center aligned at the balls.
 - 6) An ACTIVATE (ACT) command is required to be issued before the READ and WRITE commands, and t_{RCDRD} or t_{RCDWR}, respectively, must be met.
 - 7) t_{WCK2DQI}, t_{WCK2DQO} = 0 is shown for illustration purposes.

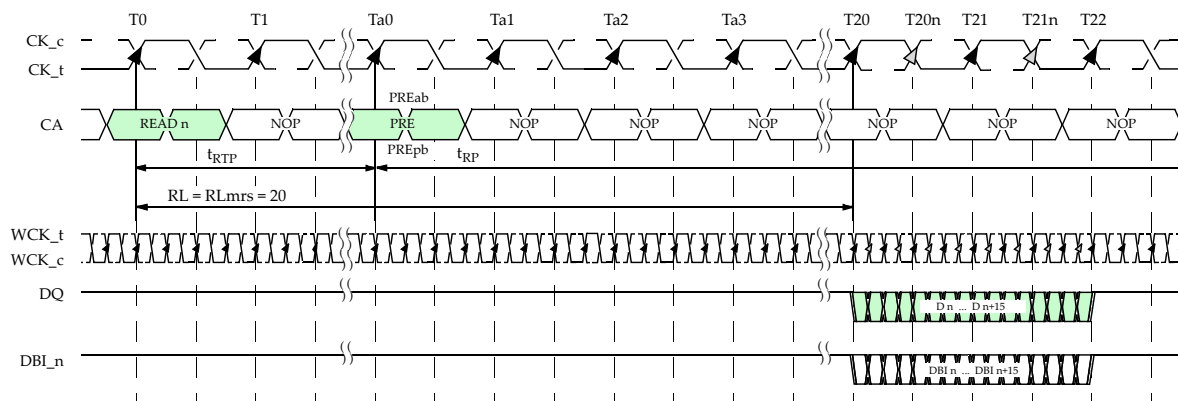


Figure 64. READ to PRECHARGE

- NOTE :**
- 1) $RLmrs = 20$ is shown as an example. Actual supported values will be found in the MR and AC timings sections.
 - 2) WCK and CK are shown aligned ($t_{WCK2CKPIN}=0$, $t_{WCK2CK}=0$) for illustration purposes. WCK2CK training determines the needed offset between WCK and CK.
 - 3) EDC may be on or off. See figure entitled "Single READ with EDC" for EDC Timing.
 - 4) $t_{RTP} = t_{RTPL}$ when bank groups are enabled and the PRECHARGE command accesses the same bank; otherwise $t_{RTP} = t_{RTPS}$.
 - 5) An ACTIVATE (ACT) command is required to be issued before the READ command, and t_{RCDRD} must be met.
 - 6) $t_{WCK2DQO} = 0$ is shown for illustration purposes.
 - 7) If auto precharge is enabled with the READ command, the precharge is initiated at the earliest possible time an explicit PRECHARGE would be allowed.

7.12 Low Frequency Modes

GDDR6 SGRAM's have been designed to operate over a wide range of frequencies. GDDR6 must support a contiguous frequency range from tCK=16ns (250MHz) to the maximum rated speed of the device.

Features such as PLL/DLL off mode, RDQS mode, Termination control bits, temperature sensor and the low power mode MR bits, such as MR5 bits A0-A3 and MR7 bit A3, have been developed for low power or frequency operation. Many of the low power features are optional therefore DRAM vendor datasheets should be consulted for features supported and frequency ranges supported for each feature.

A suggested frequency vs. features table is shown in Table 38 for reference only.

[Table 56] Example of Frequency Modes

	Range		PLL mode	RD data clock	IO training	Termination	Low Freq. bit
	Min	Max					
High Freq.	2Gbps	16Gbps	PLL off	CDR	Full training	Full	off
Medium Freq.	0.7Gbps	2Gbps	PLL off	RDQS	Full training	Full/Half	off/on
Low Freq.	0.4Gbps	0.7Gbps	PLL off	RDQS	No training (Static offset btw. DQ & WCK)	Half/off	on

7.13 RDQS Mode

For device operation at lower clock frequencies the device may be set into RDQS mode in which a READ DATA STROBE (RDQS) will be sent on the EDC signals along with the READ data. The controller will use the RDQS to latch the READ data.

RDQS mode is entered by setting the RDQS Mode bit OP9 in Mode Register 2 (MR2). When the bit is set, the device will asynchronously terminate any EDC hold pattern and drive a logic HIGH after t_{MOD} at the latest. All features controlled by MR4 and the PRBS controlled by MR12 OP2 are ignored by RDQS mode.

READ commands are executed as in normal mode regarding command to data out delay and programmed READ latencies. A fixed clock-like pattern as shown in Figure 67 is driven on the EDC signals in phase (edge aligned) with the DQ. Prior to the first valid data element, this fixed clock-like pattern or READ preamble is driven for 1 tCK.

No CRC is calculated in RDQS mode, neither for READs nor for WRITEs. The CRC engine is effectively disabled, and the corresponding WRCRC and RDCRC Mode Register bits are ignored. The PLL/DLL may be on or off with RDQS mode, depending on system considerations and the PLL/DLL's minimum clock frequency.

There is no equivalent WDQS mode; WRITE commands to the device are not affected by RDQS mode.

RDQS mode is exited by resetting the RDQS Mode bit. In this case the device will asynchronously start driving the EDC hold pattern after t_{MOD} .

The WCK2CK training should be performed prior to entering RDQS mode.

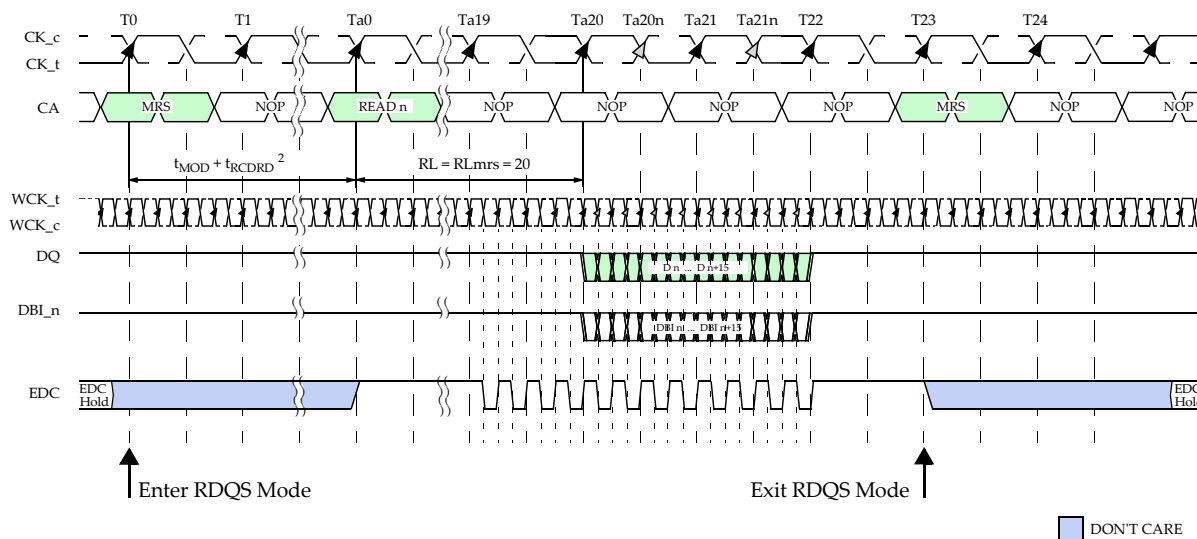


Figure 67. RDQS Mode Timings

- NOTE :**
- 1) WCK_t and CK are shown aligned ($t_{WCK2CKPIN}=0, t_{WCK2CK}=0$) for illustration purposes. WCK2CK training determines the needed offset between WCK and CK.
 - 2) An ACTIVATE (ACT) command is required to be issued before the READ command, and t_{RCDRD} must be met.
 - 3) $t_{WCK2DQO} = 0$ is shown for illustration purposes.

As an optional feature of RDQS mode, EDC1 and EDC3 can be treated as pseudo-differential to EDC0 and EDC2 respectively, by setting the EDC13Inv field, bit A11 in MR4, as shown in Table If the feature is not supported, then EDC13Inv is ignored.

[Table 57] EDC pin behavior in RDQS mode including optional pseudo-differential RDQS

MRS Set		READ/RDTR			NOP (except RD/RDTR/ PDN/SRF)	POWER DOWN /SELF REFRESH
RDQS Mode	WCK2CK Training	EDC13 Invert	EDC02 Output	EDC13 Output	EDC0123 Output	EDC0123 Output
On	Off	Off	RDQS	RDQS	1111	High
		On	RDQS	Inverted RDQS	1111	High

7.14 READ and WRITE Data Bus Inversion (DBI)

Data Bus Inversion (DBI_{dc}) reduces the DC power consumption on data signals, as the number of DQ lines driving a LOW level can be limited to 4 within a byte. DBI_{dc} is evaluated per byte.

There is one DBI_n per byte: DBI0_n is associated with DQ[7:0] and DBI1_n with DQ[15:8].

DBI_n are bidirectional active LOW double data rate (DDR) signals. For Writes, they are sampled by the device along with the DQ of the same byte. For Reads, they are driven by the device along with the DQ of the same byte.

Once enabled by the corresponding RDBI Mode Register bit, the device inverts read data and sets DBI_n LOW, when the number of '0' data bits within a byte is greater than 4; otherwise the device does not invert the read data and sets DBI_n HIGH, as shown in Figure 68.

Once enabled by the corresponding WDBI Mode Register bit, the device inverts write data received on the DQ inputs in case DBI_n was sampled LOW, or leaves the data non-inverted in case DBI_n was sampled HIGH, as shown in Figure 69.

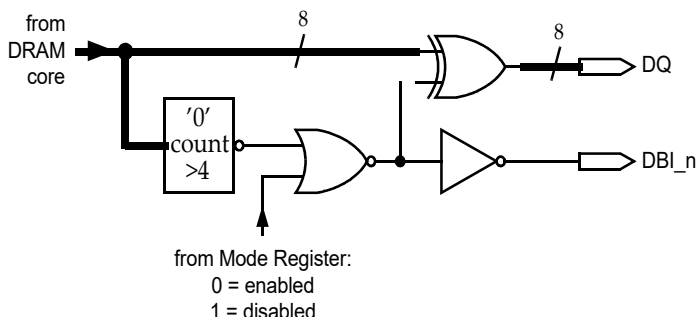


Figure 68. Example of Data Bus Inversion Logic for READS

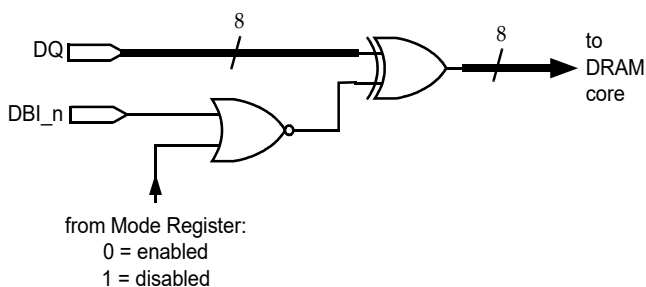


Figure 69. Example of Data Bus Inversion Logic for WRITES

The flow diagram in Figure 70 illustrates the DBI_{dc} operation. In any case, the transmitter (the controller for WRITES, the GDDR6 SGRAM for READS) decides whether to invert or not invert the data conveyed on the DQs. The receiver (the GDDR6 SGRAM for WRITES, the controller for READS) has to perform the reverse operation based on the level on DBI_n. Data input and output timing parameters are only valid with DBI being enabled and a maximum of 4 data lines per byte driven LOW.

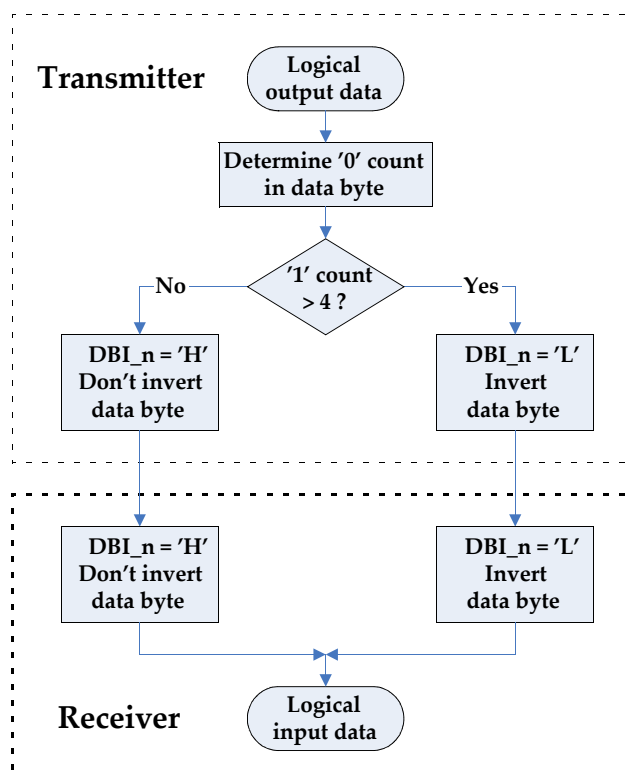


Figure 70. DBI Flow Diagram

7.14.1 DBI_n Special Function Overview

The DBI_n signal has special behavior compared to DQs because of the ability to enable and disable it via MRS. For either WRITE or READ DBI_n training, both DBI READ and DBI WRITE in MRS must be enabled. The behavior of the DBI_n signals in various mode register settings is summarized below:

If both DBI READ and DBI WRITE are enabled:

- DBI_n drives DBI FIFO data with RDTR command
- DBI_n FIFO accepts WRTR data with the WRTR command

If only DBI READ is enabled:

- DBI_n drives ODT when not READ or RDTR

If only DBI WRITE is enabled:

- DBI_n always drives ODT (unless RESET_n)

If both DBI READ and DBI WRITE are disabled:

- DBI_n drives ODT (unless RESET_n)

7.15 Error Detection Code (EDC)

The GDDR6 SGRAM provides error detection on the data bus to improve system reliability. The device generates a checksum per byte lane for both READ and WRITE data and returns the checksum to the controller. GDDR6 supports 2 modes for the EDC with either a 16 bit checksum that runs at same rate as the data (Full data rate EDC) or an 8 bit checksum that runs at half the rate of the data (Half data rate EDC). Mode Register 2 OP8 selects between the 2 modes and is undefined at boot. The EDC rate register must be set during the initialization sequence after power up or after a reset.

The 16 bit checksum of the Full data rate EDC is calculated in two halves based on the 2 halves of the 16 bit burst. The first 8 bits of the checksum, CRC-L, are calculated on burst positions 0 thru 7 and the second half of the checksum, CRC-U, are calculated on burst positions 8 thru 15. The 8 bit checksum of the Half data rate EDC is calculated on the full 16bit burst using an XOR of the CRC-L and CRC-U as illustrated in Figure 71.

Based on the checksum, the controller can decide if the data (or the returned CRC) was transmitted in error and retry the READ or WRITE command. The device itself does not perform any error correction. The features of the EDC are:

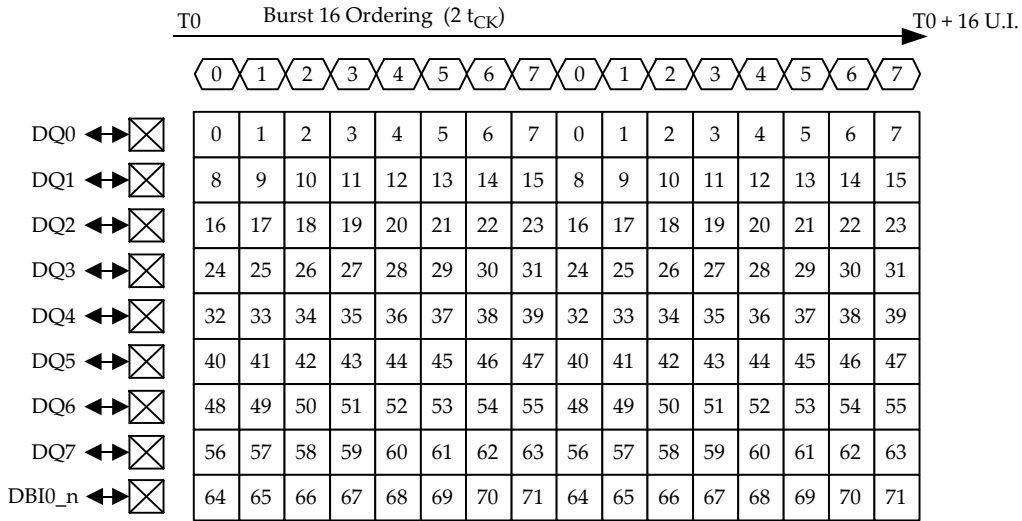
- 8 bit checksum on 72 bits (9 bit lanes x 8 bit burst) x 2 for 16bit checksum (Full data rate EDC) or 8 bit checksum on 144 bits (9 bit lanes x 16 bit burst) for 8 bit checksum (Half data rate EDC)
- dedicated EDC transfer pin per 9 bit lanes (2x per channel)
- asymmetrical latencies on EDC transfer for READs and WRITEs

The 8 bit polynomial is 0x83, or $X^8+X^2+X^1+1$. The starting seed value is set in hardware at “zero”. Table 58 shows the error detection rate for a variety of error types. All error rates are calculated over the entire BL16 of data.

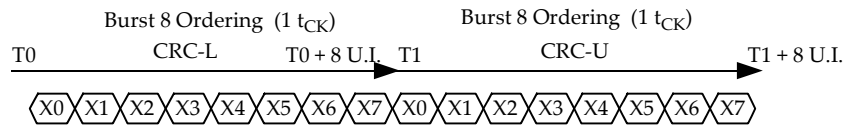
[Table 58] Error Correction Details

Error Type	Detection Rate Full data rate	Detection Rate Half data rate
Random Single Bit	100%	100%
Random Double Bit	100%	100%
Random Triple Bit	100%	99.6%
Random Quad Bit	99.9%	99.6%
Random Odd Count	100%	> 99.0%
Burst <= 8	100%	99.8%

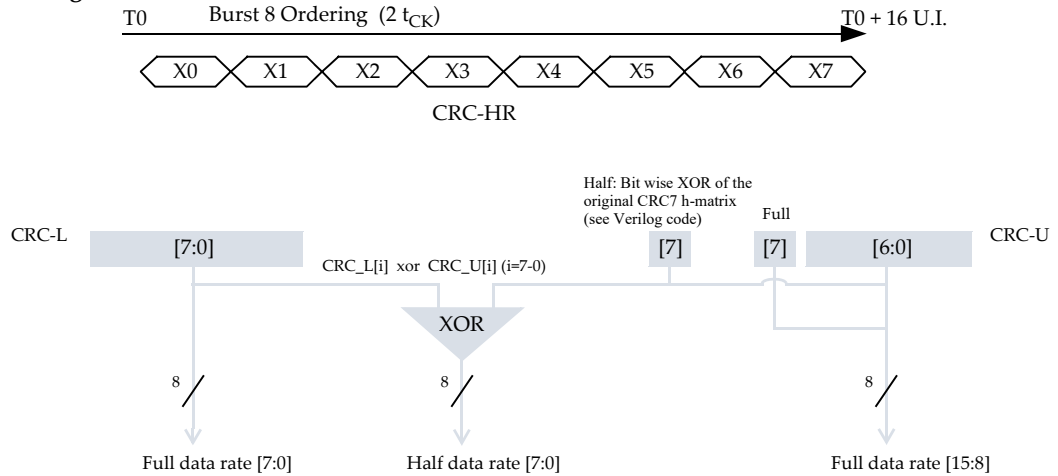
**CRC Data Input
DQ/DBI bit ordering**



**Full data rate
EDC bit ordering**



**Half data rate
EDC bit ordering**



CRC Polynomial

$$X^8 + X^2 + X + 1 = 0 \times 83 = (X + 1)(X^7 + X^6 + X^5 + X^4 + X^3 + X^2 + 1)$$

Figure 71. EDC Calculation Matrix

The CRC calculation is embedded into the WRITE and READ data stream as shown in Figure 23:

- for WRITES, the CRC checksum is calculated on the DQ and DBI_n input data before decoding with DBI
- for READs, the CRC checksum is calculated on the DQ and DBI_n output data after encoding with DBI

The bit ordering is optimized for errors in the time burst direction. Figure 71 shows the bit orientation on a byte lane basis. All '1s' are assumed for DBI_n in the CRC calculation for WRITES in case WDBI is disabled, and all '1s' are assumed for DBI_n in the CRC calculation for READs in case RDBI is disabled.

The CRC calculation is also not affected by any data mask sent along with WDM, WDMA, WSM or WSMA commands.

The EDC latency is based on the READ latency for READ data and the WRITE latency for WRITE data. Table 59 shows the 2 timing parameters associated with the EDC scheme.

Mode Register 4 is used to determine the functionality of the EDC pin. OP[10:9] control the device's CRC calculation independently for READs and WRITES. With EDC off, the calculated CRC pattern will be replaced by the EDC hold pattern defined in Mode Register 4 OP[3:0]. The EDC hold pattern rate is determined by EDC HR bit. See MODE REGISTERS section for more details.

[Table 59] EDC Timing

Description	Parameter	Value	Units
EDC READ Latency	t_{EDCRL}	RL + CRCRL	t_{CK}
EDC WRITE Latency	t_{EDCWL}	WL + CRCWL	t_{CK}

7.15.1 EDC Pin Special Function Overview

The EDC pin is used for many different functions. The behavior of the EDC pin in various modes is summarized in Table 60.

[Table 60] EDC Pin Behavior

Device Status	Condition	EDC Pin Status
Device Power-up	RESET_n = LOW	Hi-Z
	RESET_n = HIGH; no WCK clocks	HIGH
	RESET_n = HIGH; stable WCK clocks	EDC hold pattern (default = '1111')
WCK2CK Training	WCK is sampled HIGH	HIGH
	WCK is sampled LOW	LOW
Idle	EDCinv (MR4 OP11 = 0)	EDC hold pattern or PRBS
	EDCinv (MR4 OP11 = 1)	EDC0: EDC hold pattern or PRBS EDC1: inverted EDC hold pattern or PRBS
WRITE Burst	WRCRC on (MR4 OP10 = 0)	CRC data
	WRCRC off (MR4 OP10 = 1)	EDC hold pattern or PRBS
READ or RDTR burst	RDCRC on (MR4 OP9 = 0)	CRC data
	RDCRC off (MR4 OP9 = 1)	EDC hold pattern or PRBS
LDFE	WRCRC + RDCRC both on or both off	EDC hold pattern or PRBS
WRTR burst	-	EDC hold pattern or PRBS
Power-Down	WCK enabled (MR5 OP1 = 0)	EDC hold pattern or PRBS
	WCK disabled using MR5 OP1 = 1 (Optional)	HIGH
Self Refresh	-	HIGH
Vendor ID Mode	WCK is stable	EDC hold pattern or PRBS
All except reset	EDC Hi-Z (MR8 OP5 = 1)	Hi-Z
CA Training	CADT on (MR15 OP3 = 1 or OP2 = 1)	CA data

NOTE :

- 1) The PRBS feature is optional and set with MR12 OP[3:2].
- 2) The EDC hold pattern related register bits MR2 OP11, MR4 OP11 and MR4 OP[3:0] are allowed but not required to influence the bit stream when PRBS is enabled. The vendor's datasheet should be consulted for details.

7.15.2 CRC Polynomial Logic for Full data rate and Half data rate EDC

Below is an implementation of the 72 bit parallel CRC calculation based on the given polynomial: $X^8+X^2+X^1+1$. The indicates of reg D correspond to the positions in Figure 71.

```
function [7:0] CRC_72TO8;
input [71:0] D;
input    EDC_mode;
reg [7:0] CRC;
begin
  CRC[0] = D[69] ^ D[68] ^ D[67] ^ D[66] ^ D[64] ^ D[63] ^ D[60] ^ D[56] ^ D[54] ^ D[53] ^ D[52] ^ D[50] ^ D[49] ^
    D[48] ^ D[45] ^ D[43] ^ D[40] ^ D[39] ^ D[35] ^ D[34] ^ D[31] ^ D[30] ^ D[28] ^ D[23] ^ D[21] ^ D[19] ^
    D[18] ^ D[16] ^ D[14] ^ D[12] ^ D[8] ^ D[7] ^ D[6] ^ D[0];
  CRC[1] = D[70] ^ D[66] ^ D[65] ^ D[63] ^ D[61] ^ D[60] ^ D[57] ^ D[56] ^ D[55] ^ D[52] ^ D[51] ^ D[48] ^ D[46] ^
    D[45] ^ D[44] ^ D[43] ^ D[41] ^ D[39] ^ D[36] ^ D[34] ^ D[32] ^ D[30] ^ D[29] ^ D[28] ^ D[24] ^ D[23] ^
    D[22] ^ D[21] ^ D[20] ^ D[18] ^ D[17] ^ D[16] ^ D[15] ^ D[14] ^ D[13] ^ D[12] ^ D[9] ^ D[6] ^ D[1] ^
    D[0];
  CRC[2] = D[71] ^ D[69] ^ D[68] ^ D[63] ^ D[62] ^ D[61] ^ D[60] ^ D[58] ^ D[57] ^ D[54] ^ D[50] ^ D[48] ^ D[47] ^
    D[46] ^ D[44] ^ D[43] ^ D[42] ^ D[39] ^ D[37] ^ D[34] ^ D[33] ^ D[29] ^ D[28] ^ D[25] ^ D[24] ^ D[22] ^
    D[17] ^ D[15] ^ D[13] ^ D[12] ^ D[10] ^ D[8] ^ D[6] ^ D[2] ^ D[1] ^ D[0];
  CRC[3] = D[70] ^ D[69] ^ D[64] ^ D[63] ^ D[62] ^ D[61] ^ D[59] ^ D[58] ^ D[55] ^ D[51] ^ D[49] ^ D[48] ^ D[47] ^
    D[45] ^ D[44] ^ D[43] ^ D[40] ^ D[38] ^ D[35] ^ D[34] ^ D[30] ^ D[29] ^ D[26] ^ D[25] ^ D[23] ^ D[18] ^
    D[16] ^ D[14] ^ D[13] ^ D[11] ^ D[9] ^ D[7] ^ D[3] ^ D[2] ^ D[1];
  CRC[4] = D[71] ^ D[70] ^ D[65] ^ D[64] ^ D[63] ^ D[62] ^ D[60] ^ D[59] ^ D[56] ^ D[52] ^ D[50] ^ D[49] ^ D[48] ^
    D[46] ^ D[45] ^ D[44] ^ D[41] ^ D[39] ^ D[36] ^ D[35] ^ D[31] ^ D[30] ^ D[27] ^ D[26] ^ D[24] ^ D[19] ^
    D[17] ^ D[15] ^ D[14] ^ D[12] ^ D[10] ^ D[8] ^ D[4] ^ D[3] ^ D[2];
  CRC[5] = D[71] ^ D[66] ^ D[65] ^ D[64] ^ D[63] ^ D[61] ^ D[60] ^ D[57] ^ D[53] ^ D[51] ^ D[50] ^ D[49] ^ D[47] ^
    D[46] ^ D[45] ^ D[42] ^ D[40] ^ D[37] ^ D[36] ^ D[32] ^ D[31] ^ D[28] ^ D[27] ^ D[25] ^ D[20] ^ D[18] ^
    D[16] ^ D[15] ^ D[13] ^ D[11] ^ D[9] ^ D[5] ^ D[4] ^ D[3];
  CRC[6] = D[67] ^ D[66] ^ D[65] ^ D[64] ^ D[62] ^ D[61] ^ D[58] ^ D[54] ^ D[52] ^ D[51] ^ D[50] ^ D[48] ^ D[47] ^
    D[46] ^ D[43] ^ D[41] ^ D[38] ^ D[37] ^ D[33] ^ D[32] ^ D[29] ^ D[28] ^ D[26] ^ D[21] ^ D[19] ^ D[17] ^
    D[16] ^ D[14] ^ D[12] ^ D[10] ^ D[6] ^ D[5] ^ D[4];
  if(EDC_mode == 1'b0) // full data rate
    CRC[7] = D[68] ^ D[67] ^ D[66] ^ D[65] ^ D[63] ^ D[62] ^ D[59] ^ D[55] ^ D[53] ^ D[52] ^ D[51] ^ D[49] ^ D[48] ^
      D[47] ^ D[44] ^ D[42] ^ D[39] ^ D[38] ^ D[34] ^ D[33] ^ D[30] ^ D[29] ^ D[27] ^ D[22] ^ D[20] ^ D[18] ^
      D[17] ^ D[15] ^ D[13] ^ D[11] ^ D[7] ^ D[6] ^ D[5];
  if(EDC_mode == 1'b1) // half data rate
    CRC[7] = D[71] ^ D[70] ^ D[69] ^ D[64] ^ D[61] ^ D[60] ^ D[58] ^ D[57] ^ D[56] ^ D[54] ^ D[50] ^ D[46] ^ D[45] ^
      D[43] ^ D[41] ^ D[40] ^ D[37] ^ D[36] ^ D[35] ^ D[32] ^ D[31] ^ D[28] ^ D[26] ^ D[25] ^ D[24] ^ D[23] ^
      D[21] ^ D[19] ^ D[16] ^ D[14] ^ D[12] ^ D[10] ^ D[9] ^ D[8] ^ D[4] ^ D[3] ^ D[2] ^ D[1] ^ D[0];
  CRC_72TO8 = CRC;
end
endfunction

function [15:0] CRC_GDDR6_FULL;
input [143:0] D;
reg [7:0] CRC_L, CRC_U;
begin
  CRC_U = CRC_72TO8(D[143:72], 1'b0);
  CRC_L = CRC_72TO8(D[71:0], 1'b0);
  CRC_GDDR6_FULL = {CRC_U, CRC_L};
end
endfunction

function [7:0] CRC_GDDR6_HALF;
input [143:0] D;
reg [7:0] CRC_L, CRC_U;
begin
  CRC_U = CRC_72TO8(D[143:72], 1'b1);
  CRC_L = CRC_72TO8(D[71:0], 1'b0);
  CRC_GDDR6_HALF = {CRC_U ^ CRC_L};
end
endfunction
```

7.16 Precharge

The PRECHARGE command (see Figure 72) is a single cycle command used to deactivate the open row in a particular bank (PREpb) or the open row in all banks (PREab). The bank(s) will be available for a subsequent row access a specified time (t_{RP}) after the PRECHARGE command is issued as illustrated in Figure 40.

Input CA4 (falling edge of CK) determines whether one or all banks are to be precharged. In case where only one bank is to be precharged, inputs BA[3:0] select the bank. Otherwise BA[3:0] are treated as "Don't Care".

Once a bank has been precharged, it is in the idle state and must be activated prior to any READ or WRITE command being issued. A PRECHARGE command will be treated as a NOP if there is no open row in that bank, or if the previously open row is already in the process of precharging. Sequences of PRECHARGE commands must be spaced by at least t_{PPD} .

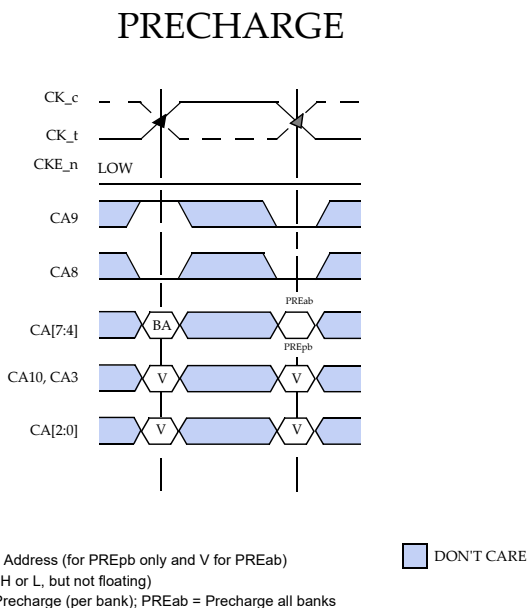


Figure 72. PRECHARGE command

7.17 Auto Precharge

Auto Precharge is a feature which performs the same individual bank precharge function as described above, but without requiring an explicit command. This is accomplished by using CA4 (falling edge of CK = HIGH), to enable Auto Precharge in conjunction with a specific READ or WRITE command. A precharge of the bank / row that is addressed with the READ or WRITE command is automatically performed once the applicable timings t_{WR} , t_{RAS} and t_{RTP} have been met as described in the WRITE and READ sections and in Table 71. Auto Precharge is non persistent in that it is either enabled or disabled for each individual READ or WRITE command.

Auto Precharge ensures that a precharge is initiated at the earliest valid stage after the WRITE or READ command. The user must not issue another command to the same bank until the precharge time (t_{RP}) is completed. This is determined as if an explicit PRECHARGE command was issued at the earliest possible time, as described for each burst type in the OPERATION section of this specification.

7.18 REFRESH and PER-BANK / PER-2-BANK REFRESH

The (all-bank) REFRESH (REFab) and the PER-BANK REFRESH (REFpb) / PER-2-BANK REFRESH (REFp2b) commands are used during normal operation. The commands are non persistent, so they must be issued each time a refresh is required. REFab and REFpb / REFp2b commands are distinguished by the level of the CA4 input (falling edge of CK) of the REFRESH command. REFpb and REFp2b are selected by MR8 OP7.

REFRESH

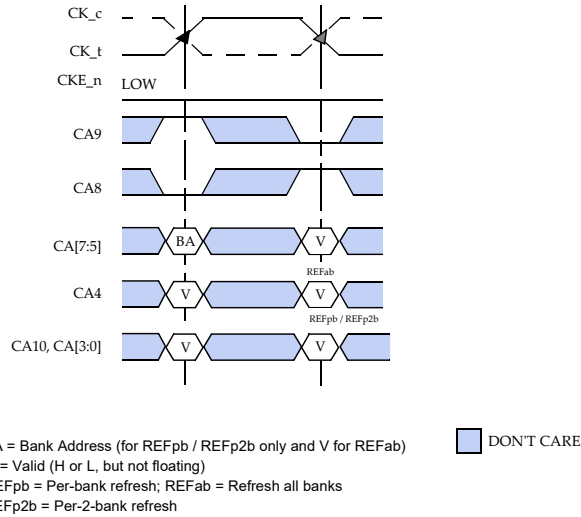


Figure 73. REFRESH Command

7.18.1 REFRESH (REFab) Command

A minimum time t_{RFCab} is required between two REFab commands. The same rule applies to any access command after the refresh operation. All banks must be precharged prior to the REFab command.

The refresh addressing is generated by the internal refresh controller. This makes the address bits "Don't Care" during a REFab command. The device requires REFab cycles at an average periodic interval of $t_{REFI(max)}$. The values of t_{REFI} for different densities are listed in Table 17.

To allow for improved efficiency in scheduling and switching between tasks, some flexibility in the absolute refresh interval is provided.

A maximum of 8 REFab commands can be postponed during operation of the device, meaning that at no point in time more than a total of 8 REFab commands are allowed to be postponed. In case that 8 REFab commands are postponed in a row, the resulting maximum interval between the surrounding REFab commands is limited to $9 \times t_{REFI}$ (see Figure 75). A maximum of 8 additional REFab commands can be issued in advance ("pulled in"), with each one reducing the number of regular REFab commands required later by one. Note that pulling in more than 8 REFab commands in advance does not further reduce the number of regular REFab commands required later, so that the resulting maximum interval between two surrounding REFab commands is limited to $9 \times t_{REFI}$ (see Figure 76). At any given time, a maximum of 9 REFab commands can be issued within t_{REFI} .

During REFab, and when OP2 in MR5 is set to '0', WRTR, RDTR, and LDFF commands are allowed at time t_{REFTR} after the REFab command, which enable (incremental) data training to occur in parallel with the internal refresh operation and thus without loss of performance on the interface as illustrated in Figure 74A. See READ Training and WRITE Training for details. Additionally, when OP2 in MR5 is set to 0, MRS commands to MR3 OP[7:6] to readout the temperature of the device are allowed as illustrated in Figure 74B. The ability to support temperature readout while MR5 OP2=0 is vendor specific, therefore, vendor datasheets should be consulted. MRS commands during t_{RFCab} that make change to any register other than MR3 OP[7:6] may result in undefined operation.

As impedance updates from the auto-calibration engine may occur with any REFab command, it is safe to only issue NOP commands during t_{kO} period to prevent false command, address or data latching resulting from impedance updates.

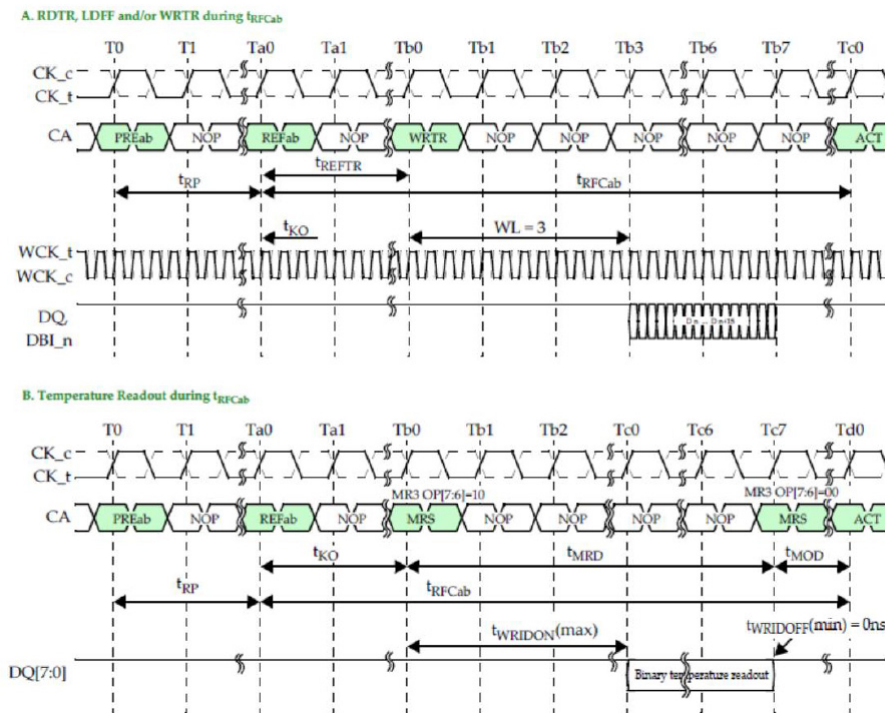


Figure 74. REFab Timings

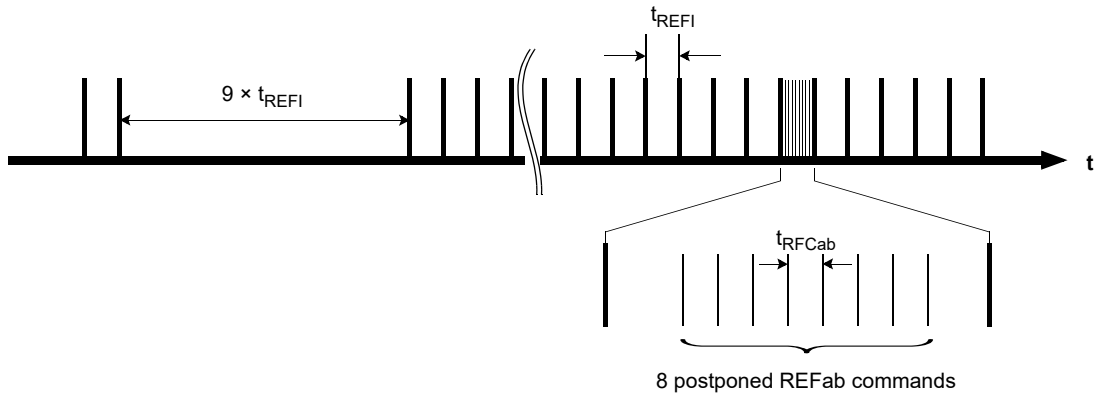


Figure 75. Postponing REFab Commands (Example)

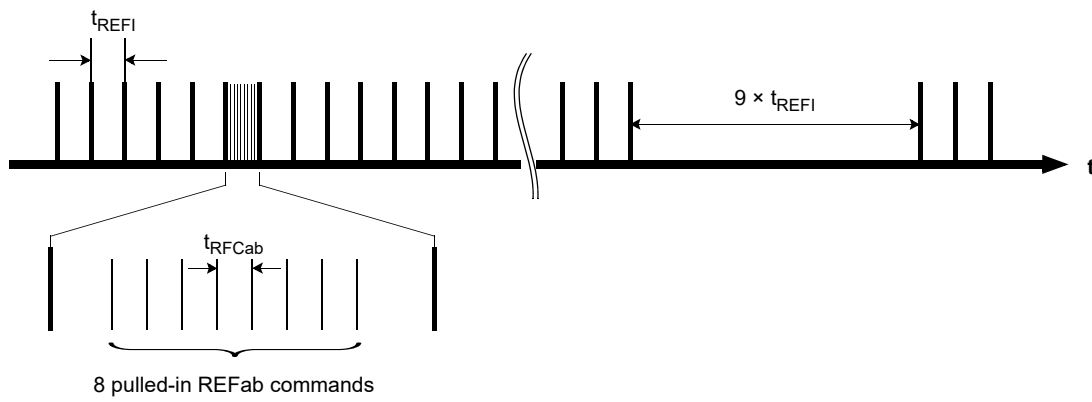


Figure 76. Pulling-In REFab Commands (Example)

7.18.2 PER-BANK REFRESH (REFpb) and PER-2-BANK REFRESH (REFp2b) Commands

The REFpb / REFp2b command provides an alternative for the refresh of the device. The REFpb command initiates a refresh cycle on a single bank selected by BA[3:0] while accesses to other banks including writes and reads are not affected. The REFp2b command initiates a refresh cycle on a bank selected by BA[3:0] and it's paired bank while accesses to other banks including writes and reads are not affected. Banks for refresh can be selected by MR12 OP1 which determines paired banks by "Don't Care" MSB or LSB. The bank pairing for LSB is shown in Table 62 and for the optional MSB is shown in Table 63. For devices that support both LSB and MSB, MR12 OP1 allows the desired mode to be programmed.

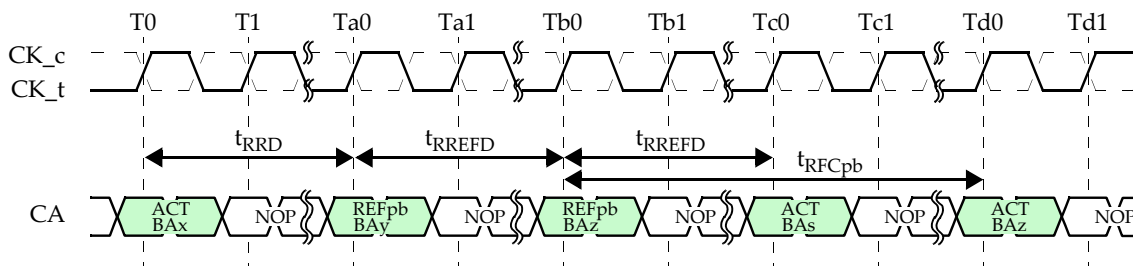
A minimum time t_{RRD} is required between an ACTIVATE command and a REFpb / REFp2b command to a different bank. A minimum time t_{RREFD} is required between any two REFpb / REFp2b commands (see below for an exception requiring t_{RFCpb}), and between a REFpb / REFp2b command and an ACTIVATE command to a different bank. A minimum time t_{RFCpb} is required between a REFpb / REFp2b command and an access command to the same bank that follows. The selected bank must be precharged prior to the REFpb / REFp2b command. The row address is generated by an internal counter. This makes the row address bits "Don't Care" during a REFpb / REFp2b command.

A REFpb / REFp2b command can be issued in any order. After all 16 banks have been refreshed using the REFpb / REFp2b command, and after waiting for at least t_{RFCpb} , the internal refresh counter is incremented and the controller can issue another set of REFpb / REFp2b commands in the same or a different order. However, it is illegal to send another REFpb / REFp2b command to a bank unless all 16 banks have been refreshed using the REFpb / REFp2b command. The controller must track the banks being refreshed by the REFpb / REFp2b command.

The bank count is synchronized between the controller and the device by resetting the bank count to zero. Synchronization occurs upon exit from reset state or by issuing a REFab or SELF REFRESH ENTRY command. Both commands may be issued at any time even if a preceding sequence of REFpb / REFp2b commands has not completed cycling through all 16 banks. The internal refresh counter is not incremented in case of such incomplete cycling. It is pointed out that multiple occurrences of synchronization events without refresh counter increment may result in an insufficient refresh of the memory array; it is suggested to issue additional REFab commands in that case.

The average rate of REFpb commands t_{REFipb} is given by $t_{REFI} / 16$ when MR8 OP7 = 0. The average rate of REFp2b commands t_{REFipb} is given by $t_{REFI} / 8$ when MR8 OP7=1.

REFab commands must also be issued during normal operation at a minimum rate of $t_{ABREF} = 1ms$ to allow impedance updates from the auto-calibration engine to occur.



BA = Bank Address
REFpb can be either REFpb or REFp2b depending on MR8 OP7

Figure 77. REFpb / REFp2b Timings

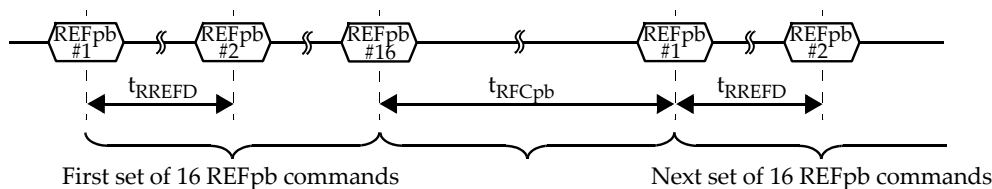


Figure 78. Sets of REFpb Commands

The example in Table 61 shows two full sets of REFpb commands with the bank counter reset to zero and the refresh counter incremented after 16 REFpb commands each. The 3rd set to REFpb commands is interrupted by the REFab command which resets the bank counter to 0 and performs refreshes to all banks indicated by the refresh counter.

[Table 61] Refresh Counter Increments - REFpb

CNT	SUB-CNT	COMMAND	BA[3:0]	REFRESH BANK	BANK COUNTER	REFRESH COUNTER
0	0	Reset, REFab or SRE command			To 0	
1	1	REFpb	0000	0	0 to 1	n
2	2	REFpb	0001	1	1 to 2	
3	3	REFpb	0010	2	2 to 3	
4	4	REFpb	0011	3	3 to 4	
...						
15	15	REFpb	1110	14	14 to 15	
16	16	REFpb	1111	15	15 to 0	n + 1
17	1	REFpb	0100	4	0 to 1	
18	2	REFpb	0111	7	1 to 2	
19	3	REFpb	1011	11	2 to 3	
20	4	REFpb	0110	6	3 to 4	
...						
31	15	REFpb	1100	12	14 to 15	n + 2
32	16	REFpb	0001	1	15 to 0	
33	1	REFpb	0010	2	0 to 1	
34	2	REFpb	1001	9	1 to 2	n + 2
35	3	REFpb	0000	0	2 to 3	
36	0	REFab	V	all	To 0	n + 2
37	1	REFpb	1010	10	0 to 1	n + 3
38	2	REFpb	0101	5	1 to 2	
...						

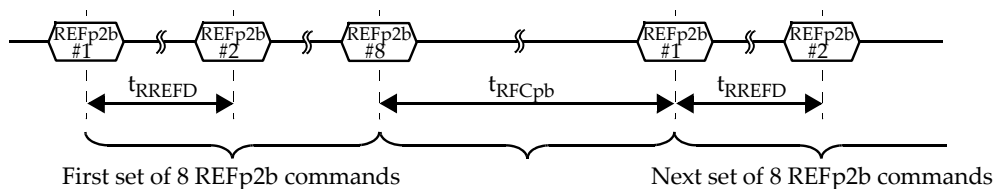


Figure 79. Sets of REFp2b Commands

The examples in Table 62 and Table 63 show two full sets of REFp2b commands with the bank counter reset to zero and the refresh counter incremented after 8 REFp2b commands each. The 3rd set of REFp2b commands is interrupted by the REFab command which resets the bank counter to 0 and performs refreshes to all banks indicated by the refresh counter. The 3rd set also shows the requirement that a set must either be complete or a REFab to reset the bank counter back to 0 before any change to MR8 OP7. The 4th set uses REFpb.

[Table 62] Refresh Counter Increments - REFp2b (LSB)

CNT	SUB-CNT	COMMAND	BA[3:0]	REFRESH BANKS	BANK COUNTER	REFRESH COUNTER
0	0	Reset, REFab or SRE command followed by MRS to set MR8 OP7 = 1 and MR12 OP1 = 0			To 0	
1	1	REFp2b	0000	0, 1	0 to 1	n
2	2	REFp2b	0010	2, 3	1 to 2	
3	3	REFp2b	0100	4, 5	2 to 3	
4	4	REFp2b	0110	6, 7	3 to 4	
5	5	REFp2b	1000	8, 9	4 to 5	
6	6	REFp2b	1010	10, 11	5 to 6	
7	7	REFp2b	1100	12, 13	6 to 7	
8	8	REFp2b	1110	14, 15	7 to 0	
9	1	REFp2b	0100	4, 5	0 to 1	n + 1
10	2	REFp2b	0111	7, 6	1 to 2	
11	3	REFp2b	1011	11, 10	2 to 3	
12	4	REFp2b	1001	9, 8	3 to 4	
...						
15	7	REFp2b	1100	12, 13	6 to 7	n + 2
16	8	REFp2b	1111	15, 14	7 to 0	
17	1	REFp2b	0010	2, 3	0 to 1	
18	2	REFp2b	1001	9, 8	1 to 2	
19	3	REFp2b	0000	0, 1	2 to 3	n + 2
20	0	REFab	V	all	To 0	
21	0	MRS (MR8 OP7 = 0)	V	-	0	n + 2
22	1	REFpb	1010	10	0 to 1	n + 3
23	2	REFpb	0101	5	1 to 2	
...						

[Table 63] Refresh Counter Increments - REFp2b (MSB)

CNT	SUB-CNT	COMMAND	BA[3:0]	REFRESH BANKS	BANK COUNTER	REFRESH COUNTER
0	0	Reset, REFab or SRE command followed by MRS to set MR8 OP7=1 and MR12 OP1 = 1			To 0	
1	1	REFp2b	0000	0, 8	0 to 1	n
2	2	REFp2b	0001	1, 9	1 to 2	
3	3	REFp2b	0010	2, 10	2 to 3	
4	4	REFp2b	0011	3, 11	3 to 4	
5	5	REFp2b	0100	4, 12	4 to 5	
6	6	REFp2b	0101	5, 13	5 to 6	
7	7	REFp2b	0110	6, 14	6 to 7	
8	8	REFp2b	0111	7, 15	7 to 0	
9	1	REFp2b	0100	4, 12	0 to 1	n + 1
10	2	REFp2b	0111	7, 15	1 to 2	
11	3	REFp2b	1011	11, 3	2 to 3	
12	4	REFp2b	1001	9, 1	3 to 4	
...						
15	7	REFp2b	1100	12, 4	6 to 7	n + 2
16	8	REFp2b	1110	14, 6	7 to 0	
17	1	REFp2b	0010	2, 10	0 to 1	
18	2	REFp2b	1001	9, 1	1 to 2	
19	3	REFp2b	0000	0, 8	2 to 3	
20	0	REFab	V	all	To 0	n + 2
21	0	MRS (MR8 OP7 = 0)	V	-	0	n + 2
22	1	REFpb	1010	10	0 to 1	n + 3
23	2	REFpb	0101	5	1 to 2	
...						

[Table 64] REFab and REFp2b Command Scheduling Requirements

From Command	To Command	Minimum Delay between "From Command" to "To Command"	Notes
REFab	REFab or SELF REFRESH ENTRY	t_{RFCab}	
	REFpb / REFp2b (any bank)	t_{RFCab}	
	ACTIVATE (any bank)	t_{RFCab}	
REFpb / REFp2b	REFab or SELF REFRESH ENTRY	t_{RFCpb}	
	REFpb / REFp2b (other bank)	t_{RREFD} or t_{RFCpb}	2
	REFpb / REFp2b (same bank)	t_{RFCpb}	1
	ACTIVATE (other bank)	t_{RREFD}	
	ACTIVATE (same bank)	t_{RFCpb}	
ACTIVATE	REFab or SELF REFRESH ENTRY	t_{RC}	3
	REFpb / REFp2b (other bank)	t_{RRD}	4
	REFpb / REFp2b (same bank)	t_{RC}	3

NOTE :

- 1) Back-to-back REFpb / REFp2b commands to the same bank are only allowed when the first REFpb / REFp2b command completes a set of 16 per-bank / 8 per-2-bank refresh operations and the second REFpb / REFp2b command initiates the next set of 16 per-bank / 8 per-2-bank refresh operations.
- 2) Use t_{RFCpb} when the first REFpb / REFp2b command completes a set of 16 per-bank / 8 per-2-bank refresh operations and the second REFpb / REFp2b command initiates the next set of refresh operations. Use t_{RREFD} in all other cases.
- 3) A bank must be in the idle state with t_{RP} satisfied before it is refreshed.
- 4) t_{FAW} parameters must be observed as well.

7.19 Self Refresh

Self Refresh can be used to retain data in the device, even if the rest of the system is powered down. Self Refresh can also be used to retain data in only one channel while the other channel is in normal operation. The full power savings can only be achieved when both channels are in Self Refresh. When in the Self Refresh mode, the device retains data without external clocking. The SELF REFRESH ENTRY command (see Figure 80) is initiated like a REFRESH command except that CKE_n is pulled HIGH.

SELF REFRESH ENTRY is only allowed when all banks are precharged with t_{RP} satisfied, and when the last data element or CRC data element from a preceding READ or WRITE command has been pushed out (t_{RDSRE} or t_{WRSRE}). NOP commands are required until t_{CKSRE} is met after the entering Self Refresh. The PLL/DLL is automatically disabled upon entering Self Refresh and is automatically enabled and reset upon exiting Self Refresh. If the device enters Self Refresh with the PLL/DLL disabled, it will exit Self Refresh with the PLL/DLL disabled.

Once the SELF REFRESH ENTRY command is registered, CKE_n must be held HIGH to keep the device in Self Refresh mode. When the device has entered the Self Refresh mode, all external control signals, except CKE_n and RESET_n are "Don't care". For proper Self Refresh operation, all power supply (V_{DD} , V_{DDQ} , V_{PP}) and V_{REFC} must be at valid levels. The device initiates a minimum of one internal refresh within t_{CKESR} period once it enters Self Refresh mode. The CA, data and WCK inputs are in ODT state, and the EDC signals drive a HIGH.

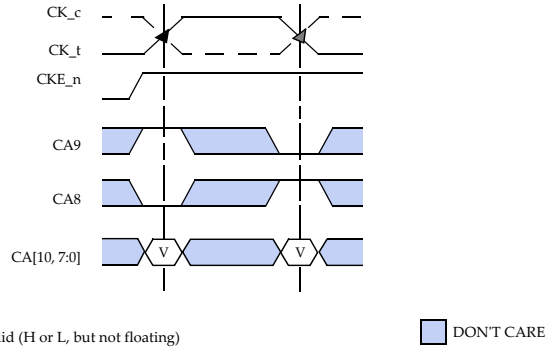
The CK clock is internally disabled during Self Refresh operation to save power, only if both channels are in the Self Refresh state. The WCK clock(s) are also internally disabled during SRF on each channel independently. The user may change the external clock frequency or halt the external CK clock t_{CKSRE} after SELF REFRESH ENTRY is registered on both channels as shown in Figure 81. Likewise, the host may halt the external WCK clock(s) in a channel t_{CKSRE} after SELF REFRESH ENTRY is registered on that channel. The minimum time that the channel or device must remain in Self Refresh mode is t_{CKESR} .

The procedure for exiting Self Refresh requires a sequence of events. First, the CK clocks must be stable t_{CKSRX} prior to CKE_n going back LOW. WCK clocks could be on or off at SELF REFRESH EXIT depending on the preferred method for resetting the WCK divider in WCK2CK training, which is required upon SELF REFRESH EXIT. For frequency supported by each method, the vendor datasheet should be consulted. A delay of at least t_{XS} must be satisfied before a valid command can be issued to the device to allow for completion of any internal refresh in progress.

During Self Refresh the on-die termination (ODT) and driver will not be auto-calibrated. Recalibration may be automatically performed within t_{XS} after self refresh exit and if not the recalibration will take place on the next REFab command. During this period, commands other than NOP shall be issued with caution, depending on anticipated or measured voltage and temperature changes. No recalibration is performed when calibration update has been set to off in MR1 OP6.

Upon exit from Self Refresh, the device can be put back into Self Refresh mode after waiting at least t_{XS} period and issuing one extra REFab command.

SELF REFRESH



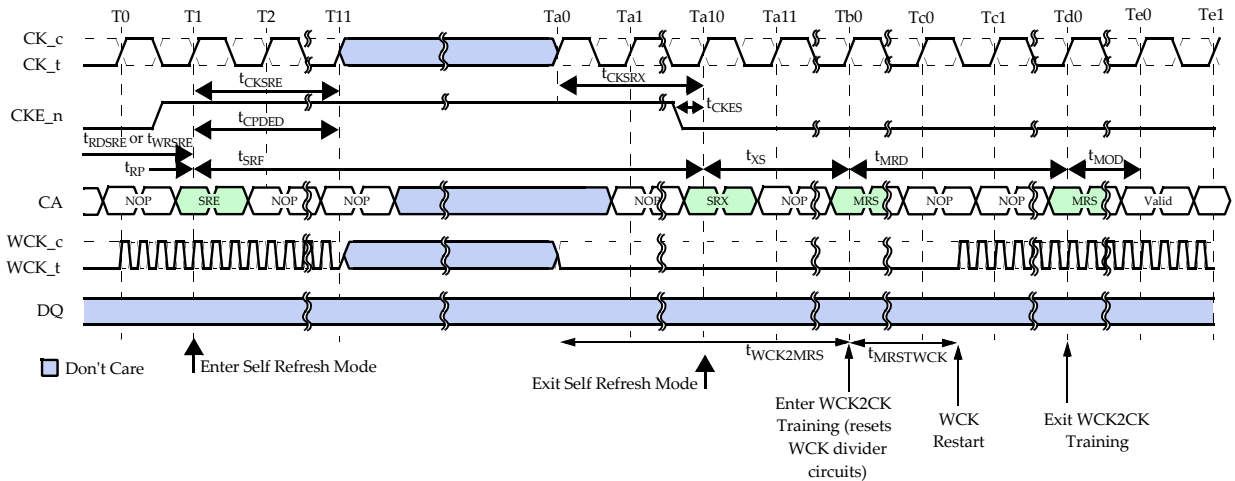
V = Valid (H or L, but not floating) ■ DON'T CARE

Figure 80. SELF REFRESH Entry Command

[Table 65] Pin States During Self Refresh

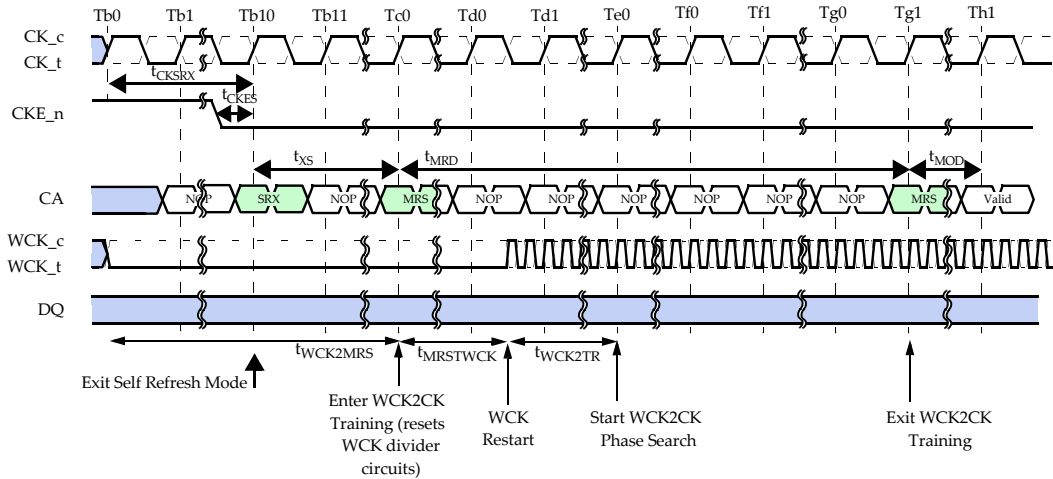
Pin	State
EDC	HIGH
DQ/DBI_n	ODT
CA, CABI_n	ODT
CKE_n	ODT (Driven HIGH by Controller)
WCK_t/WCK_c	ODT
CK_t/CK_c	ODT

A. SRE and SRX with only WCK clock stop



NOTE :
 1) Stopping the CK clock is only allowed if both channels are put in Self Refresh or Hibernate Self Refresh mode.

B. SRX with WCK clock stop and Phase Search



C. SRX without WCK clock stop

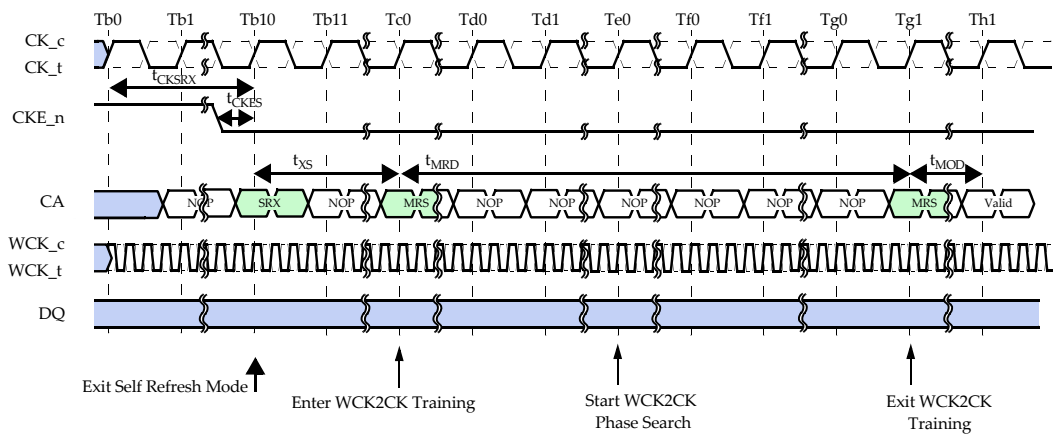


Figure 81. Self Refresh Entry and Exit

7.20 Partial Array Self Refresh (PASR)

The GDDR6 SGRAM can be programmed to exclude parts of the memory array from refresh when the channel is held in Self Refresh mode. OP[11:0] in MR11 are associated with the Partial Array Self Refresh (PASR) feature.

7.20.1 PASR Bank Masking

Two banks can individually be configured to be excluded from refresh in Self Refresh mode by programming the bank mask bit(s) in MR11 OP[7:0]. The banks are excluded from refresh when the corresponding 2-bank mask bit is set to "1". When a 2-bank mask bit is set to "0", a refresh to the banks is determined by the status of the row segment mask bits as described below.

7.20.2 PASR Row Segment Masking

The row address space of a channel is virtually divided into 4 row segments along the two MSB row address bits. Each row segment can individually be configured to be excluded from refresh in Self Refresh mode by programming the row segment mask bit(s) in MR11 OP[11:8]. An entire row segment across all 16 banks is excluded from refresh when the corresponding row segment mask bit is set to "1". When a row segment mask bit is set to "0", a refresh to the row segment in each group of 2 banks is determined by the status of the corresponding 2-bank mask bits as described above.

An example of using the PASR bank and row segment masking is shown in Table 66.

[Table 66] Example of PASR 2-Bank and Row Segment Masking in Self Refresh Mode

	Row Segment Mask MR11 OP[11:8]	Banks [15:14]	Banks [13:12]	Banks [11:10]	Banks [9:8]	Banks [7:6]	Banks [5:4]	Banks [3:2]	Banks [1:0]
2-Bank Mask MR11 OP[7:0]		0	0	0	0	0	1	0	0
Row Segment 0	0						M		
Row Segment 1	0						M		
Row Segment 2	1	M	M	M	M	M	M	M	M
Row Segment 3	0						M		

NOTE :

1) Refresh operation to bank 4 and 5 as well as to row segment 2 in all banks is masked.

7.21 Hibernate Self Refresh

Hibernate Self Refresh is a special mode that provides the same data retention as in the regular Self Refresh mode, but allows the channel to disable additional circuits to achieve an even lower power consumption at the expense of a significantly extended period to return to normal operation. The full power savings can only be achieved when both channels are in Hibernate Self Refresh.

MR7 OP1 is associated with Hibernate Self Refresh. The bit is self-clearing, meaning that an MRS command must set this bit any time the device shall enter Hibernate Self Refresh using the SELF REFRESH ENTRY command.

After the SELF REFRESH ENTRY command is registered, CKE_n must be held HIGH to keep the channel in Hibernate Self Refresh mode. Exiting this mode requires a sequence of events as shown in Figure 82: at first CKE_n must be pulled LOW and again pulled HIGH after t_{XHP} has elapsed. The channel is now in regular Self Refresh mode, and must be held in this mode for at least t_{XSH} period, to retain data during the extended exit time from Hibernate Self Refresh mode. After t_{XSH} period the sequence for SELF REFRESH EXIT shall be followed to return to normal operation.

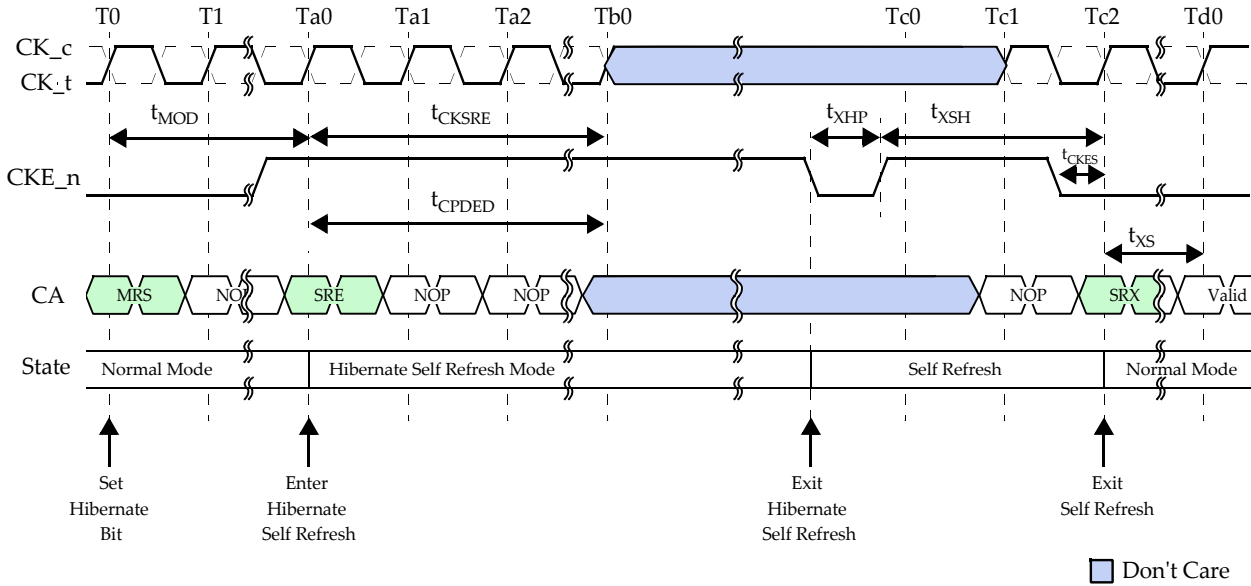


Figure 82. Hibernate Self Refresh

NOTE :
 1) Stopping the CK clock is only allowed if both channels are put in Self Refresh or Hibernate Self Refresh mode.
 2) Minimum CKE_n pulse width must satisfy tCKE.

7.22 Hibernate Self Refresh With V_{DDQ} Off

To further reduce the power consumption in self refresh mode, GDDR6 SGRAMs optionally allows to completely power off V_{DDQ} when the device is held in hibernate self refresh. The V_{DDQ} Off Mode Register bit MR12 OP0 is associated with this function; the bit is self-clearing, meaning that an MRS command must set this bit any time the device shall power off V_{DDQ}. The device indicates the support of this feature in the Vendor ID, bit 15 of ID1.

The following sequence is required to enter and exit this mode:

- 1) Issue MRS command(s) on both channels to set the V_{DDQ} Off and Hibernate SRF bits and wait for t_{MOD}.
- 2) Issue a SELF REFRESH ENTRY command followed by NOPs for t_{CPDED}. After t_{CPDED} the device is held in hibernate self refresh regardless of the level of the CKE_n signal.
- 3) After meeting t_{VOFF} timing it is safe to power off V_{DDQ}. The voltage level at all device inputs except RESET_n has to be kept at or below V_{DDQ} at all times of the V_{DDQ} power off and on transitions. The RESET_n input must be pulled HIGH to prevent an unwanted chip reset. Maintain V_{DD} and V_{PP} at valid levels. Maintain V_{DDQ} off (below 0.1 x V_{DD}) for at least t_{VON}.
- 4) For exiting this mode, apply power to V_{DDQ}. The device will detect the V_{DDQ} stable state when V_{DDQ} reaches 0.9 x V_{DD} and will subsequently return to (regular) Hibernate Self Refresh.
- 5) Drive CKE_n to HIGH latest at time t_{CTEN} after V_{DDQ} is stable (>90% of V_{DD}). The device will re-enable the CKE_n receiver after t_{CTEN} has elapsed. Maintain CKE_n HIGH until t_{HEX} has elapsed.
- 6) Hibernate self refresh can be exited a time t_{HEX} after V_{DDQ} is stable. Follow the procedure described above to exit hibernate self refresh and return to normal operation.

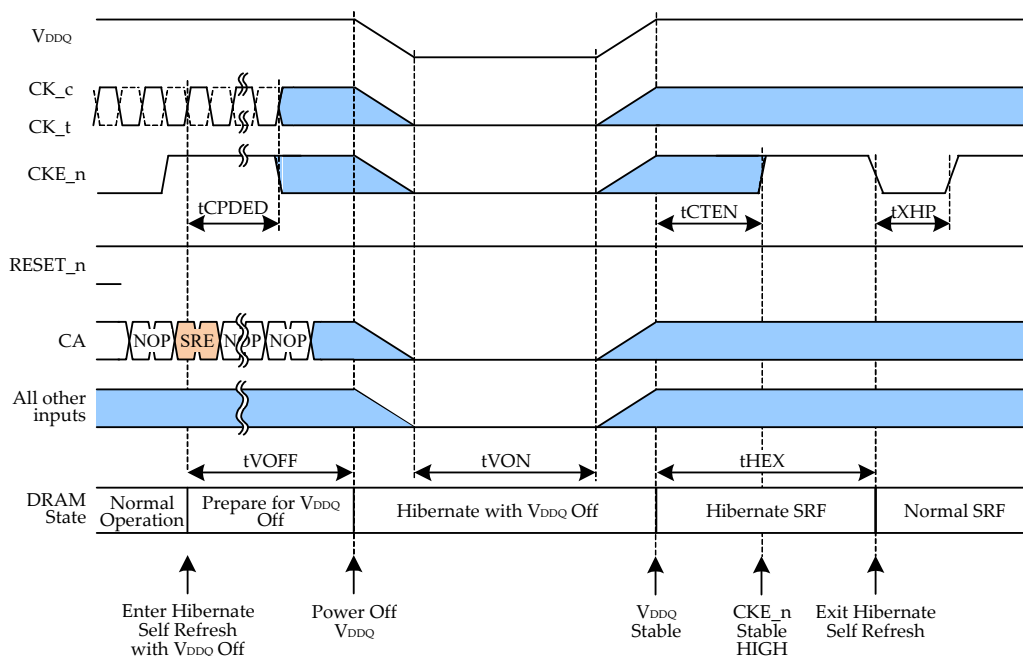


Figure 83. Hibernate Self Refresh with V_{DDQ} Off Entry and Exit

NOTE :
 1) Minimum CKE_n pulse width must satisfy t_{CKE}.

7.23 Power-Down

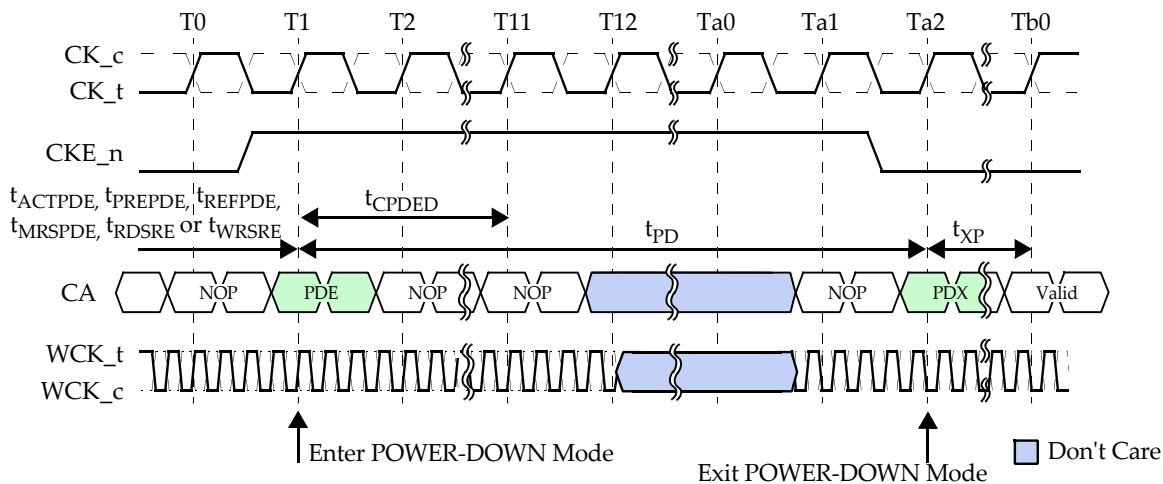
GDDR6 SGRAMs requires CKE_n to be LOW at all times an access is in progress: from the issuing of a READ or WRITE command until completion of the burst. For READs, a burst completion is defined as when the last data element including CRC has been transmitted on the DQ outputs, for WRITEs, a burst completion is defined as when the last data element has been written to the memory array and CRC data has been returned to the controller. CKE_n is also required to be LOW for a time t_{ACTPDE} after an ACTIVATE command, for a time t_{PREPDE} after a PRECHARGE command, for a time t_{REFPDE} after a REFRESH command, or for a time t_{MRSPDE} after a MODE REGISTER SET command.

Power-Down is entered when CKE_n is registered HIGH. If POWER-DOWN occurs when all banks are idle, this mode is referred to as precharge Power-Down; if Power-Down occurs when there is a row active in any bank, this mode is referred to as active POWER-DOWN. Entering POWER-DOWN deactivates the input and output buffers, excluding CK_t, CK_c, WCK_t, WCK_c, RESET_n, EDC signals and CKE_n if LP2 bit (MR5 OP1) is set LOW. If LP2 bit is set to HIGH, WCK_t, WCK_c input buffers and EDC output buffer are additionally de-activated in POWER-DOWN.

For maximum power savings, the user has the option of disabling the PLL/DLL prior to entering POWER-DOWN. In that case, on exiting POWER-DOWN, WCK2CK training is required to set the internal synchronizers which will include the enabling of the PLL/DLL, PLL/DLL reset, and t_{LK} clock cycles must occur before any READ or WRITE command can be issued.

While in power-down, CKE_n HIGH, a stable CK and RESET_n signals must be maintained at the device inputs if LP2 bit (MR5 OP1) is set to HIGH as shown in Figure 84A. If LP2 bit (MR5 OP1) is set to off, WCK signals must also be maintained in power-down and DRAM continuously drive the EDC hold pattern on the EDC balls as shown in Figure 84B. The Power-Down state is synchronously exited when CKE_n is registered LOW (in conjunction with a NOP command). A valid executable command may be applied t_{XP} cycles later. The power-down duration is specified by t_{PD} and limited by the refresh requirements of the device.

A) LP2 bit On (MR5 OP1 = 1)



B) LP2 bit Off (MR5 OP1 = 0)

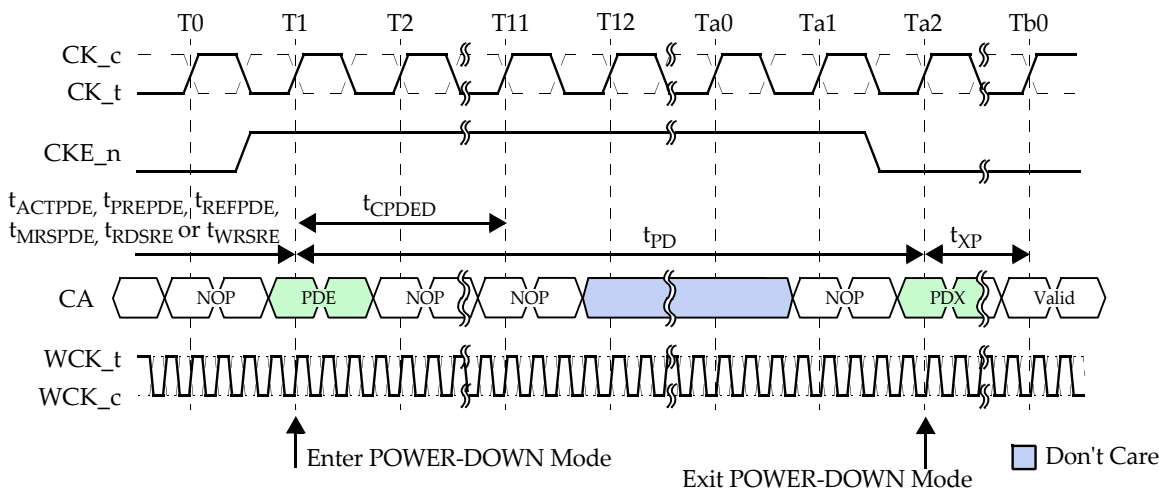


Figure 84. Power-Down Entry and Exit

NOTE :

- 1) Minimum CKE_n pulse width must satisfy t_{CKE} .
- 2) After issuing POWER-DOWN command, NOP commands are required for a minimum of t_{CPDED} after POWER-DOWN entry.

[Table 67] Pin States During Power-Down

Pin	LP2 on (MR5 OP1 = HIGH)	LP2 off (MR5 OP1 = LOW)
EDC	HIGH	'Hold'
DQ/DBI_n	ODT	ODT
CA	ODT	ODT
CKE_n	ODT (Driven HIGH by Controller)	ODT (Driven HIGH by Controller)
CK_t/CK_c	ODT	ODT
WCK_t/WCK_c	ODT (receiver off)	ODT (receiver active)

7.24 Command Truth Tables

[Table 68] Truth Table – CKE_n

CKE_n 2)		CURRENT STATE 3), 5)	COMMAND(n)	ACTION(n)	NOTES
Previous Cycle (n-1)	Current Cycle (n)				
H	H	Power-Down	X	Maintain Power-Down	
H	H	Self Refresh	X	Maintain Self Refresh	
H	L	Power-Down	NOP	Exit Power-Down	
H	L	Self Refresh	NOP	Exit Self Refresh	6
L	H	All Banks Idle	NOP	Precharge Power-Down Entry	
L	H	Bank(s) Active	NOP	Active Power-Down Entry	
L	H	All Banks Idle	REFab	Self Refresh Entry	
L	L	See Table 69 and Table 70			

NOTE :

1) H = Logic HIGH Level; L = Logic LOW Level; X = Don't Care (command decoder disabled)

2) CKE_n(n) is the logic state of CKE_n at clock edge n; CKE_n(n-1) was the state of CKE_n at the previous clock edge.

3) Current state is the state of the device immediately prior to clock edge n.

4) COMMAND(n) is the command registered at clock edge n, and ACTIONn is a result of COMMANDn.

5) All states and sequences not shown are illegal or reserved.

6) NOP commands should be issued on any clock edges occurring during the t_{XS} period.

A minimum of t_{LK} is needed for the PLL/DLL to lock before applying a READ or WRITE command if the PLL/DLL was disabled.

[Table 69] Truth Table – Current State Bank n – Command To Bank n

CURRENT STATE	CA9 (Rising edge of CK)	CA9 (Falling edge of CK)	CA8 (Rising edge of CK)	CA8 (Falling edge of CK)	COMMAND/ACTION	NOTES
Any	H	H	H	H	NO OPERATION (NOP/continue previous operation)	
			H	L		
			L	H		
Idle	L	V	V	V	ACTIVATE (select and activate row)	
	H	L	L	H	REFRESH ALL / PER-2-BANK REFRESH	8
	H	H	L	L	MODE REGISTER SET	8
Row Active	H	L	H	H	READ (select column and start READ burst)	10
	H	L	H	L	WRITE (select column and start WRITE burst) (WOM, WSM or WDM)	10
	H	L	L	L	PRECHARGE (deactivate row in bank or banks)	9
Read (Auto Precharge Disabled)	H	L	H	H	READ (select column and start new READ burst)	10
	H	L	H	L	WRITE (select column and start WRITE burst) (WOM, WSM or WDM)	10, 11
	H	L	L	L	PRECHARGE (only after the READ burst is complete)	9
Write (Auto Precharge Disabled) (WOM, WSM or WDM)	H	L	H	H	READ (select column and start READ burst)	10
	H	L	H	L	WRITE (select column and start new WRITE burst) (WOM, WSM or WDM)	10
	H	L	L	L	PRECHARGE (only after the WRITE burst is complete)	9

NOTE :

- 1) H = Logic HIGH Level; L = Logic LOW Level; V = Valid signal (H or L, but not floating)
- 2) This table applies when CKE_{n(n-1)} was LOW and CKE_{n(n)} is LOW (see Table 68) and after t_{XS} has been met (if the previous state was self refresh).
- 3) This table is bank-specific, except where noted (i.e., the current state is for a specific bank and the commands shown are those allowed to be issued to that bank when in that state). Exceptions are covered in the notes below.
- 4) Current state definitions:
 - Idle: The bank has been precharged, and t_{RP} has been met.
 - Row Active: A row in the bank has been activated, and t_{RCD} has been met. No data bursts/accesses and no register accesses are in progress.
 - Read: A READ burst has been initiated, with auto precharge disabled.
 - Write: A WRITE burst has been initiated, with auto precharge disabled.
- 5) The following states must not be interrupted by a command issued to the same bank. NOP commands, or allowable commands to the other bank should be issued on any clock edge occurring during these states. Allowable commands to the other bank are determined by its current state and Table 69, and according to Table 70. The minimum delay from a READ or WRITE command with auto precharge enabled, to a command to the same bank is summarized in Table 71.
 - Precharging: Starts with registration of a PRECHARGE command and ends when t_{RP} is met. Once t_{RP} is met, the bank will be in the idle state.
 - Row Activating: Starts with registration of an ACTIVATE command and ends when t_{RCD} is met. Once t_{RCD} is met, the bank will be in the "row active" state.
 - Read w/Auto-Precharge Enabled: Starts with registration of a READ command with auto precharge enabled and ends when t_{RP} has been met. Once t_{RP} is met, the bank will be in the idle state.
 - Write w/Auto-Precharge Enabled: Starts with registration of a WRITE command with auto precharge enabled and ends when t_{RP} has been met. Once t_{RP} is met, the bank will be in the idle state.
- 6) The following states must not be interrupted by any executable command; NOP commands must be applied on each positive clock edge during these states.
 - Refreshing: Starts with registration of a REFAb command and ends when t_{RFCab} is met. Once t_{RFCab} is met, the device will be in the all banks idle state. Accessing Mode Register: Starts with registration of a MODE REGISTER SET command and ends when t_{MOD} has been met. Once t_{MOD} is met, the device will be in the all banks idle state.
 - Precharging All: Starts with registration of a PREall command and ends when t_{RP} is met. Once t_{RP} is met, all banks will be in the idle state. READ or WRITE: Starts with the registration of the ACTIVATE command and ends with the last valid data nibble.
- 7) All states and sequences not shown are illegal or reserved.
- 8) Not bank-specific (REFAb, MODE REGISTER SET) or bank specific (REFpb / REFp2b); requires that all banks (REFAb, MODE REGISTER SET) or the current bank (REFpb / REFp2b) are idle, and bursts are not in progress.
- 9) May or may not be bank-specific; if multiple banks are to be precharged, each must be in a valid state for precharging.
- 10) Reads or Writes listed in the Command/Action column include Reads or Writes with auto precharge enabled and Reads or Writes with auto precharge disabled.
- 11) A WRITE command may be applied after the completion of the READ burst.

[Table 70] Truth Table – Current State Bank *n* – Command To Bank *m*

CURRENT STATE	CA9 (Rising edge of CK)	CA9 (Falling edge of CK)	CA8 (Rising edge of CK)	CA8 (Falling edge of CK)	COMMAND/ACTION	NOTES
Any	H	H	H	H	NO OPERATION (NOP/continue previous operation)	
			H	L		
			L	H		
Idle	X	X	X	X	Any Command Otherwise Allowed to Bank <i>m</i>	
Row Activating, Active, or Precharging	L	V	V	V	ACTIVATE (select and activate row)	
	H	L	H	H	READ (select column and start READ burst)	8
	H	L	H	L	WRITE (select column and start WRITE burst) (WOM, WSM or WDM)	8
	H	L	L	L	PRECHARGE	
Read (Auto Precharge Disabled)	L	V	V	V	ACTIVATE (select and activate row)	
	H	L	H	H	READ (select column and start new READ burst)	8
	H	L	H	L	WRITE (select column and start WRITE burst) (WOM, WSM or WDM)	8, 9
	H	L	L	L	PRECHARGE	
Write (Auto Precharge Disabled)	L	V	V	V	ACTIVATE (select and activate row)	
	H	L	H	H	READ (select column and start READ burst)	8
	H	L	H	L	WRITE (select column and start new WRITE burst) (WOM, WSM or WDM)	8
	H	L	L	L	PRECHARGE	
Read (With Auto Precharge)	L	V	V	V	ACTIVATE (select and activate row)	
	H	L	H	H	READ (select column and start new READ burst)	8
	H	L	H	L	WRITE (select column and start WRITE burst) (WOM, WSM or WDM)	8, 9
	H	L	L	L	PRECHARGE	
Write (With Auto Precharge)	L	V	V	V	ACTIVATE (select and activate row)	
	H	L	H	H	READ (select column and start READ burst)	8
	H	L	H	L	WRITE (select column and start new WRITE burst) (WOM, WSM or WDM)	8
	H	L	L	L	PRECHARGE	

NOTE :

- 1) H = Logic HIGH Level; L = Logic LOW Level; V = Valid signal (H or L, but not floating)
- 2) This table applies when CKE_{*n*(*n*-1)} was LOW and CKE_{*n*(*n*)} is LOW (see Table 68) and after t_{XS} has been met (if the previous state was self refresh).
- 3) WRITE in this table refers to WOM/WOMA, WSM/WSMA and WDM/WDMA commands
- 4) This table describes alternate bank operation, except where noted (i.e., the current state is for bank *n* and the commands shown are those allowed to be issued to bank *m*, assuming that bank *m* is in such a state that the given command is allowable). Exceptions are covered in the notes below.
- 5) Current state definitions:
 - Idle: The bank has been precharged, and t_{RP} has been met.
 - Row Active: A row in the bank has been activated, t_{RCD} has been met and no data bursts/accesses and no register accesses are in progress.
 - Read: A READ burst has been initiated, with auto precharge disabled.
 - Write: A WRITE burst has been initiated, with auto precharge disabled.
 - Read with Auto Precharge Enabled: See following text
 - Write with Auto Precharge Enabled: See following text
- 5a) The read with auto precharge enabled or write with auto precharge enabled states can each be broken into two parts: the access period and the precharge period. For read with auto precharge, the precharge period is defined as if the same burst was executed with auto precharge disabled and then followed with the earliest possible PRECHARGE command that still accesses all of the data in the burst. For write with auto precharge, the precharge period begins when t_{WR} ends, with t_{WR} measured as if auto precharge was disabled. The access period starts with registration of the command and ends where the precharge period (or t_{RP}) begins. During the precharge period of the read with auto precharge enabled or write with auto precharge enabled states, ACTIVATE, PRECHARGE, READ and WRITE commands to the other bank may be applied. In either case, all other related limitations apply (e.g., contention between read data and write data must be avoided).
- 5b) The minimum delay from a READ or WRITE command with auto precharge enabled, to a command to a different bank is summarized in Table 71.
- 6) REFab and MODE REGISTER SET commands may only be issued when all banks are idle.
- 7) All states and sequences not shown are illegal or reserved.
- 8) READs or WRITEs listed in the Command/Action column include READs or WRITEs with auto precharge enabled and READs or WRITEs with auto precharge disabled.
- 9) A WRITE command may be applied after the completion of the READ burst.

[Table 71] Auto Precharge Enabled/Disabled and PREab / PREpb Timings

FROM COMMAND	TO COMMAND	Minimum Delay Between "FROM COMMAND" to "TO COMMAND" 9)	UNIT	NOTES
READ	PREpb (same bank)	t_{RTP}	t_{CK}	5
	PREpb (different bank)	1	t_{CK}	
	PREab	t_{RTP}	t_{CK}	5
	WRITE or WRITE w/ AP (any bank)	t_{RTW}	ns	
	READ or READ w/ AP (any bank)	t_{CCD}	t_{CK}	4
READ w/ AP	PREab	t_{RTP}	t_{CK}	5
	PREpb (different bank)	1	t_{CK}	
	ACTIVATE or REFpb / REFp2b (same bank)	$t_{RTP} + RU(t_{RP}/t_{CK})$	t_{CK}	5, 6
	WRITE or WRITE w/ AP (same bank)	Illegal		
	WRITE or WRITE w/ AP (different bank)	t_{RTW}	ns	
	READ or READ w/ AP (same bank)	Illegal		
	READ or READ w/ AP (different bank)	t_{CCD}	t_{CK}	4
WRITE (WOM, WDM, OR WSM)	PREpb (same bank)	$WLMrs + BL/8 + RU(t_{WR}/t_{CK})$	t_{CK}	1, 2, 6
	PREpb (different bank)	WOM = 1, WDM = 2, WSM = 3	t_{CK}	
	PREab	$WLMrs + BL/8 + RU(t_{WR}/t_{CK})$	t_{CK}	1, 2, 6
	WRITE or WRITE w/ AP (same bank, w/o Data Mask)	WOM/WDM = t_{CCD} WSM = $\text{MAX}[t_{CCD}, 3 * t_{CK}]$	t_{CK}	4, 8
	WRITE or WRITE w/ AP (same bank, w Data Mask)	WOM/WDM = $\text{MAX}[t_{CCD}, t_{CCDMW}]$ WSM = $\text{MAX}[t_{CCD}, t_{CCDWM}, 3 * t_{CK}]$	t_{CK}	4, 8
	WRITE or WRITE w/ AP (different bank)	WOM/WDM = t_{CCD} WSM = $\text{MAX}[t_{CCD}, 3 * t_{CK}]$	t_{CK}	4, 8
	READ w/ AP (same bank)	$WLMrs + BL/8 + \text{MAX}[RU(t_{WR}/t_{CK}) - t_{RTP}, RU(t_{WTR}/t_{CK})]$	t_{CK}	1, 2, 3, 5, 6
	READ (same bank)	$WLMrs + BL/8 + RU(t_{WTR}/t_{CK})$	t_{CK}	1, 2, 3, 6
	READ or READ w/ AP (different bank)	$WLMrs + BL/8 + RU(t_{WTR}/t_{CK})$	t_{CK}	1, 2, 3, 6
WRITE w/ AP (WOMA, WDMA, WSMA)	PREab	$WLMrs + BL/8 + RU(t_{WR}/t_{CK})$	t_{CK}	1, 2, 6
	PREpb (different bank)	WOM = 1, WDM = 2, WSM = 3	t_{CK}	
	ACTIVATE or REFpb / REFp2b (same bank)	$WLMrs + BL/8 + WR + RU(t_{RP}/t_{CK})$	t_{CK}	1, 2, 6
	ACTIVATE or REFpb / REFp2b (different bank)	WOM = 1, WDM = 2, WSM = 3	t_{CK}	
	WRITE or WRITE w/ AP (same bank)	Illegal		
	WRITE or WRITE w/ AP (different bank)	WOM/WDM = t_{CCD} WSM = $\text{MAX}[t_{CCD}, 3 * t_{CK}]$	t_{CK}	4, 8
	READ or READ w/ AP (same bank)	Illegal		
	READ or READ w/ AP (different bank)	$WLMrs + BL/8 + RU(t_{WTR}/t_{CK})$	t_{CK}	1, 2, 3, 6
PREpb	PREpb (any bank)	t_{PPD}	t_{CK}	
	PREab	t_{PPD}	t_{CK}	7
PREab	PREpb (any bank) or PREab	t_{PPD}	t_{CK}	7

NOTE :

- 1) BL = Burst length
- 2) WLMrs = Write latency
- 3) tWTR = tWTRS when Bank Groups disabled or WRITE and READ access different bank groups, otherwise tWTR = tWTRL
- 4) tCCD = tCCDS when bank groups is disabled or the second WRITE or READ is to a different bank group, otherwise tCCD = tCCDL; tCCD and tCCDMW are effective for both PC mode and 2-channel operation.
- 5) tRTP = tRTPL when Bank Groups enabled and the PRECHARGE command accesses the same bank, otherwise tRTP = tRTPS
- 6) RU = round up to next integer
- 7) PREab is treated as a NOP for a bank when that bank is already idle or in the process of being precharged.
- 8) WOM / WDM / WSM in the "Minimum Delay between..." column refer to the "From Command".
- 9) A command issued during the minimum delay time is illegal.

7.25 Clock Frequency Change Sequence

Step 1) Wait until all commands have finished, all banks are idle.

Step 2) If the new desired clock frequency is below the min frequency supported by PLL/DLL-on mode, turn the PLL/DLL off via an MRS command. Similarly, if the new desired clock frequency is above the maximum frequency supported by Low Frequency mode ($f_{CKLF(max)}$), turn Low Frequency mode off via an MRS command. If the new desired clock frequency requires termination, enable the termination before switching to the new frequency if it is not already enabled.

Step 3) Issue SELF REFRESH ENTRY command on both channels followed by NOP until t_{CPDED} is met.

Step 4) Change the clock frequency and wait until clock is stabilized.

Step 5) Exit Self Refresh and wait for t_{XS} .

Step 6) Perform CA training if required.

Step 7) If the new clock frequency is within the PLL/DLL on range and the PLL/DLL on state is desired, enable the PLL/DLL via an MRS Command if it is not already enabled. Similarly, if the new clock frequency is within the Low Frequency mode range and the use of Low Frequency mode is desired, enable Low Frequency mode via an MRS command if it is not already enabled. If the new clock frequency does not require termination, it is now safe to disable termination.

Step 8) Perform WCK2CK training. As defined in the WCK2CK training process, if the PLL/DLL is enabled, then complete steps 8a and 8b:

8a) Reset the PLL/DLL by writing to the MRS register.

8b) Wait t_{LK} clock cycles before issuing any commands to the device.

Step 9) Exit WCK2CK training.

Step 10) Perform READ and WRITE training, if required.

Step 11) Device is ready for normal operation after any necessary interface training.

NOTE: Either in Step 2 or Step 7 other Mode Register settings, for example, RLmrs, WLmrs, LP2, LP3 or RDQS mode, etc. that need to change, should be set for the new frequency before any training and the device is ready for normal operation. Otherwise proper operation cannot be guaranteed.

7.26 Dynamic Voltage Switching (DVS)

GDDR6 SGRAMs supporting multiple supply voltages allow the supply voltage to be changed during the course of normal operation using the Dynamic Voltage Switching (DVS) feature. By using DVS the device's power consumption can be reduced whenever only a fraction of the maximum available bandwidth is required by the current work load.

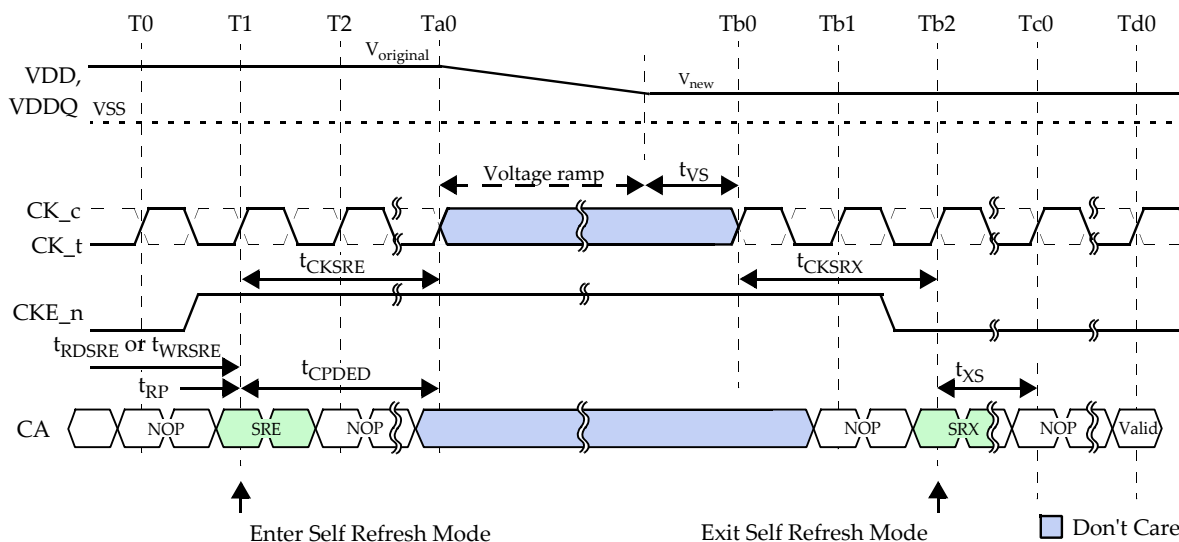
DVS requires the device to be properly placed into self refresh before the voltage is changed from the existing stable voltage, $V_{original}$ to the new desired voltage V_{new} . The DVS procedure may also require changes to the VDD Range mode register using MR7 bits OP[9:8], depending on whether the feature is supported. The DRAM vendor's datasheet shall be consulted regarding the supported supply voltages for DVS, and any dependencies of AC timing parameters on the selected supply voltage.

Clock frequency changes can also take place after entering self refresh mode using the standard Clock Frequency Change procedure. A clock frequency change in conjunction with DVS is required if t_{CK} is less than t_{CKmin} supported by V_{new} . In this case normal device operation including self refresh exit is not guaranteed without a frequency change.

Once self refresh is entered, t_{CKSRE} must be met before the supply voltage is allowed to transition from $V_{original}$ to V_{new} . After V_{DD} and V_{DDQ} are stable at V_{new} , t_{VS} must be met to allow for internal voltages in the device to stabilize before self refresh mode may be exited. During the voltage transition the voltage must not go below V_{min} of the lower voltage of either $V_{original}$ or V_{new} in order to prevent false chip reset. V_{min} is the minimum voltage allowed by V_{DD} or V_{DDQ} in the DC operating conditions table. V_{REF} shall continue to track V_{DDQ} .

DVS Procedure

- Step 1) Complete all operations and precharge all banks.
- Step 2) Issue MRS commands on both channels to set VDD Range to proper values for V_{new} . This step is only required when the VDD Range mode register field is supported by the device. The DRAM vendor's datasheet should be consulted to verify if the feature is supported.
- Step 3) Enter self refresh mode on both channels. Self refresh entry procedure must be met.
- Step 4) Wait required time t_{CKSRE} before changing voltage to V_{new} .
- Step 5) Change V_{DD} and V_{DDQ} to V_{new} .
- Step 6) Wait required time t_{VS} for voltage stabilization.
- Step 7) Exit self refresh. The self refresh exit procedure must be met.
- Step 8) Issue MRS commands to adjust mode register settings as desired (e.g., latencies, PLL/DLL on/off, CRC on/off).
- Step 9) Perform any interface training as required.
- Step 10) Continue normal operation.



Self refresh exit requires WCK2CK training prior to any WRITE or READ operation
 At least one REFRESH command shall be issued after t_{XS} for output driver and termination impedance updates
 $V_{original} > V_{new}$ shown as an example of a voltage change

Figure 85. DVS Sequence

7.27 Temperature Sensor

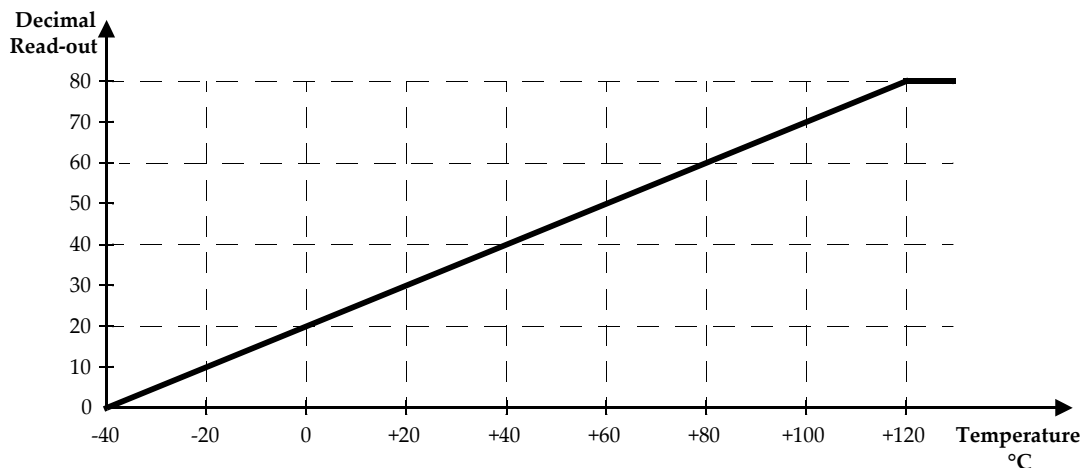
GDDR6 SGRAMs incorporate a temperature sensor with digital temperature readout function. This function allows the controller to monitor the die's junction temperature and use this information to make sure the device is operated within the specified temperature range or to adjust interface timings relative to temperature changes over time.

The temperature sensor is permanently enabled. The temperature readout uses the DRAM Info mode feature. The digital value is driven asynchronously on the DQ bus following the MRS command to Mode Register 3 (MR3) that sets bit OP7 to 1 and bit OP6 to 0. The temperature readout will be continuously driven until an MRS command sets both bits to 0. As an exception to the general conditions for issuing MRS commands, these MRS commands to enable and disable the temperature sensor readout may optionally be supported while an all-bank refresh is in progress. See Figure 74 in the REFRESH command section for details.

The device's junction temperature is linearly encoded as shown in Table 50 and Figure 101. DRAM vendors may restrict the readout to a subset of at least eight digital codes out of Table 50, corresponding to eight temperature thresholds. The sensor's accuracy is vendor specific.

[Table 72] Temperature Sensor Readout Pattern

Temperature [°C]	Decimal Temperature Readout	Binary Temperature Readout
		DQ[7:0]
-40	0	0000 0000
...
0	20	0001 0100
2	21	0001 0101
4	22	0001 0110
6	23	0001 0111
8	24	0001 1000
...
120	80	0101 0000
>120	80	0101 0000



7.28 DUTY CYCLE CORRECTOR (DCC)

As GDDR6 SGRAM can operate with the PLL/DLL off during normal operation, the use of an optional Duty Cycle Corrector (DCC) can correct for the duty cycle error of the WCK clocks, resulting in improved timing margins for all WCK related timings. The DCC can be enabled at any time prior to or during WCK related trainings, however, best results cannot be guaranteed unless duty cycle correction has been completed prior to finalizing the relevant training steps.

DCC operation is controlled by MR7 OP[11:10]. The duty cycle correction is started by setting bit OP10. The DCC must be held in this state for a minimum duration of t_{DCC} . During t_{DCC} all earlier commands must have completed and no new commands may be issued. After t_{DCC} is met, bit OP11 shall be set to terminate the duty cycle correction and hold the correction code. The DCC may be disabled at any time by resetting bits OP11 and OP10. WK2CK Training Sequence with DCC shows one example of DCC at the start of WCK2CK training. Table 73 shows the DCC timing parameter.

When in the “hold” state, i.e. MR7 OP[11:10] is set to ‘11’, the DCC correction code will be valid until either the device is taken out of the “hold” state by programming MR7 OP[11:10] to ‘00’ or ‘01’ or a reset of the device. The correction code is valid for all frequencies less than or equal to the WCK frequency at which the DCC correction code was determined. The optimal DCC correction is only guaranteed at the temperature and voltage at which the DCC code was determined.

[Table 73] DCC Timings

Parameter	Symbol	Min	Max	Unit
Required time for duty cycle corrector	t_{DCC}	-	-	t_{CK} (or ns)

8. OPERATING CONDITIONS

8.1 Absolute Maximum Ratings

Stresses greater than those listed may cause permanent damage to the device. This is a stress rating only, and functional operation of the device at these or any other conditions above those indicated in the operational sections of this specification is not implied. Exposure to absolute maximum rating conditions for extended periods may affect reliability.

[Table 74] Absolute Maximum Ratings

PARAMETER	SYMBOL	MIN	MAX	UNIT	NOTES
Voltage on V _{DD} relative to V _{SS}	V _{DD}	-0.3	+2.0	V	1
Voltage on V _{DDQ} relative to V _{SS}	V _{DDQ}	-0.3	+2.0	V	1
Voltage on V _{PP} relative to V _{SS}	V _{PP}	-0.3	+2.3	V	2
Voltage on any signal relative to V _{SS}	V _{IN} , V _{OUT}	-0.3	+2.0	V	
Storage temperature	T _{STG}	-55	+125	°C	

NOTE:

- V_{DD} and V_{DDQ} must be within 300 mV of each other at all times the device is powered-up, except when the device is in Hibernate Self Refresh with VDDQ Off state.
- V_{PP} must be equal or greater than V_{DD} and V_{DDQ} at all times the device is powered-up.

8.2 Pad Capacitances

[Table 75] Silicon Pad Capacitance

PARAMETER ¹⁾	SYMBOL	MIN	MAX	UNITS	NOTES
Delta Input/Output Capacitance: DQs, DBI_n, EDC	DCio	-0.1	0.1	pF	2
Delta Input Capacitance: CA, CKE_n, CABI_n	DCi1	-0.1	0.1	pF	3
Delta Input Capacitance: CK_t, CK_c	DCi2	-0.1	0.1	pF	4
Delta Input Capacitance: WCK_t, WCK_c	DCi3	-0.1	0.1	pF	5
Input/Output Capacitance: DQs, DBI_n, EDC	Cio	0.5	1	pF	
Input Capacitance: CA, CKE_n, CABI_n	Ci1	0.5	1	pF	
Input Capacitance: CK_t, CK_c	Ci2	0.5	1	pF	
Input Capacitance: WCK_t, WCK_c	Ci3	0.5	1	pF	

NOTE :

- This parameter is not subject to production test. It is verified by design and characterization. The silicon pad capacitance is validated by de-embedding the package L & C parasitics. The capacitance is measured with V_{DD}, V_{DDQ} and V_{SS}, applied with all other signals floating.
- DCio = Cio (Max) – Cio (Min).
- DCi1 = Ci1 (Max) – Ci1 (Min).
- DCi2 = Absolute value of C CK_t – C CK_c.
- DCi3 = Absolute value of C WCK_t – C WCK_c.

8.3 Package Electrical Specification

[Table 76] GDDR6 SGRAM Package Electrical Specifications

PARAMETER ^{1), 2), 3)}	SYMBOL	MIN	MAX	UNIT	NOTES
Input/Output package impedance: DQs, DBI_n, EDC	Z _{IO}	44.0	49.1	Ω	
Input/Output package delay: DQs, DBI_n, EDC	Td _{IO}	20.7	49.3	ps	
Input package impedance: CA, CABI_n, CKE_n	Z _{I1}	49.7	57.6	Ω	
Input package delay: CA, CABI_n, CKE_n	Td _{I1}	35.1	65.9	ps	
Input package impedance: CK_t, CK_c	Z _{I2}	38.1	39.4	Ω	
Input package delay: CK_t, CK_c	Td _{I2}	51.3	53.7	ps	
Delta input package impedance: CK_t, CK_c	DZ _{I2}	0.6	-	Ω	4
Delta input package delay: CK_t, CK_c	DTd _{I2}	1.4	-	ps	5
Input package impedance: WCK_t, WCK_c	Z _{I3}	46.7	47.7	Ω	
Input package delay: WCK_t, WCK_c	Td _{I3}	20.5	23.6	ps	
Delta input package impedance: WCK_t, WCK_c	DZ _{I3}	0.8	0.4	Ω	6
Delta input package delay: WCK_t, WCK_c	DTd _{I3}	3.1	3.1	ps	7

NOTE :

- 1) This parameter is not subject to production test. It is verified by design and characterization. The package L & C parasitics are validated using package only samples. The capacitance is measured with V_{DD}, V_{DDQ} and V_{SS} shorted with all other signals floating. The inductance is measured with V_{DD}, V_{DDQ} and V_{SS} shorted and all other signal balls shorted at the die side (not ball).
- 2) Package only impedance (Z_{pkg}) is calculated based on the L_{pkg} and C_{pkg} total for a given pin where

$$Z_{pkg}(\text{total per pin}) = \sqrt{L_{pkg}/C_{pkg}}$$

- 3) Package only delay (Td_{pkg}) is calculated based on L_{pkg} and C_{pkg} total for a given pin where.

$$Td_{pkg}(\text{total per pin}) = \sqrt{L_{pkg} * C_{pkg}}$$

- 4) DZ_{I2} = Absolute value of Z_{I2} CK_t – Z_{I2} CK_c.
 5) DTd_{I2} = Absolute value of Td_{I2} CK_t – Td_{I2} CK_c.
 6) DZ_{I3} = Absolute value of Z_{I3} WCK_t – Z_{I3} WCK_c.
 7) DTd_{I3} = Absolute value of Td_{I3} WCK_t – Td_{I3} WCK_c.

8.4 Package Thermal Characteristics

[Table 77] Thermal Characteristics

Parameter	Description	Value ⁷⁾	Units	Notes
Theta_JA	Thermal resistance junction to ambient	25.9	°C/W	1,2,3,5
TJ_MAX	Maximum operating junction temperature	86.1	°C	4
TC_MAX	Maximum operating case temperature	85	°C	4
Theta_JC	Thermal resistance from junction to case	1.7	°C/W	1,6
Theta_JB	Thermal resistance junction to board	5.2	°C/W	1,2,6

NOTE :

- 1) Measurement procedures for each parameter must follow standard procedures defined in the current JEDEC JESD-51 standard.
- 2) Theta_JA and Theta_JB must be measured with the high effective thermal conductivity test board defined in JESD51-7
- 3) Airflow information must be documented for Theta_JA.
- 4) TJ_MAX and TC_MAX are documented for normal operation in this table. These are not intended to reflect reliability limits.
- 5) Theta_JA should only be used for comparing the thermal performance of single packages and not for system related junction temperature prediction.
- 6) Theta_JB and Theta_JC are derived through a package thermal simulation.
- 7) Values are guaranteed by design but not tested in production.

8.5 Electrostatic Discharge Sensitivity Characteristics

[Table 78] Electrostatic Discharge Sensitivity Characteristics

PARAMETER ¹⁾	SYMBOL	MIN	MAX	UNIT	NOTES
Human body model (HBM)	ESD _{HBM}	1000	–	V	2
Charged-device model (CDM)	ESD _{CDM}	250	–	V	3

NOTE :

- 1) State-of-the-art basic ESD control measures have to be in place when handling devices.
- 2) Refer to ESDA / JEDEC Joint Standard JS-001-2014 for measurement procedures.
- 3) Refer to JS-002-2014 for measurement procedures.

8.6 AC & DC Operating Conditions

Initially, all GDDR6 SGRAMs are designed for 1.35V typical VDDQ voltage supplies. The interface of GDDR6 with 1.35V VDDQ termination will follow the POD135 Standard (JESD8-21), Class D. GDDR6 SGRAMs can also be designed for 1.25V typical VDDQ voltage supplies. In that case the interface of GDDR6 with 1.25V VDDQ termination will follow the POD125 Standard (JESD8-30), Class A. GDDR6 SGRAMs can also be designed to support multiple VDDQ supply voltages, e.g. 1.35V and 1.25V. In that case the interface of GDDR6 will follow the related POD standard.

Vendor datasheets should be consulted for actual VDD and VDDQ voltages supported by a GDDR6 device as factors such as process technology and supported system voltage(s) many require typical operating voltages to be added, dropped or maintained over time.

GDDR6 SGRAMs can also support the switching of the VDD and VDDQ supply voltages during self refresh. The Dynamic Voltage Switching (DVS) procedure should be followed when switching between supply voltages. Vendor datasheets should be consulted for details regarding DVS support.

[Table 79] DC Operating Conditions

Parameter	Symbol	POD135			POD125			Unit	Note
		Min	Typ	Max	Min	Typ	Max		
Device supply voltage	V _{DD}	1.3095	1.35	1.3905	1.2125	1.25	1.2875	V	1,2
Output supply voltage	V _{DDQ}	1.3095	1.35	1.3905	1.2125	1.25	1.2875	V	1,2
Pump voltage	V _{PP}	1.746	1.8	1.908	1.746	1.8	1.908	V	2
Reference voltage: DQ and DBI_n pins	V _{REFD}		0.7 * V _{DDQ} or 0.725 * V _{DDQ}			0.7 * V _{DDQ} or 0.725 * V _{DDQ}		V	3,4
	V _{REFD2}		0.5 * V _{DDQ}			0.5 * V _{DDQ}		V	3,4,5
Reference voltage: CA pins	V _{REFC}	0.69 * V _{DDQ}		0.71 * V _{DDQ}	0.69 * V _{DDQ}		0.71 * V _{DDQ}	V	6
	V _{REFC2}	0.49 * V _{DDQ}		0.51 * V _{DDQ}	0.49 * V _{DDQ}		0.51 * V _{DDQ}	V	6,7
DC input logic HIGH voltage with V _{REFC} : CA	V _{IHA} (DC)	V _{REFC} + 0.135			V _{REFC} + 0.125			V	
DC input logic LOW voltage with V _{REFC} : CA	V _{ILA} (DC)			V _{REFC} - 0.135			V _{REFC} - 0.125	V	
DC input logic HIGH voltage with V _{REFC2} : CA	V _{IHA2} (DC)	V _{REFC2} + 0.27			V _{REFC2} + 0.25			V	
DC input logic LOW voltage with V _{REFC2} : CA	V _{ILA2} (DC)			V _{REFC2} - 0.27			V _{REFC2} - 0.25	V	
DC input logic HIGH voltage with V _{REFD} : DQ and DBI_n	V _{IHD} (DC)	V _{REFD} + 0.09			V _{REFD} + 0.085			V	
DC input logic LOW voltage with V _{REFD} : DQ and DBI_n	V _{ILD} (DC)			V _{REFD} - 0.09			V _{REFD} - 0.085	V	
DC input logic HIGH voltage with V _{REFD2} : DQ and DBI_n	V _{IHD2} (DC)	V _{REFD2} + 0.27			V _{REFD2} + 0.25			V	
DC input logic LOW voltage with V _{REFD2} : DQ and DBI_n	V _{ILD2} (DC)			V _{REFD2} - 0.27			V _{REFD2} - 0.25	V	
RESET_n and Boundary Scan input logic HIGH voltage; EDC and CA input logic high voltage for x16/x8 mode, PC vs. 2-channel mode, CK and CA ODT select at reset	V _{IHR}	0.8 * V _{DDQ}			0.8 * V _{VDD}			V	8
RESET_n and Boundary Scan input logic LOW voltage; EDC and CA input logic low voltage for x16/x8 mode, PC vs. 2-channel mode, CK and CA ODT select at reset	V _{ILR}			0.2 * V _{DDQ}			0.2 * V _{DDQ}	V	8
Input leakage current (any input 0V ≤ V _{IN} ≤ V _{DDQ} ; all other signals not under test = 0V)	I _L							μA	
Output Leakage Current (outputs are disabled; 0V ≤ V _{OUT} ≤ V _{DDQ})	I _{OZ}							μA	
Output logic LOW voltage	V _{OL} (DC)			0.56			0.52	V	
Single ended clock input voltage level: CK_t, CK_c, WCK_t, WCK_c	V _{IN}	-0.30		V _{DDQ} + 0.30	-0.30		V _{DDQ} + 0.30		13
Clock input mid-point voltage: CK_t, CK_c	V _{MP} (DC)	V _{REFC} - 0.10		V _{REFC} + 0.10	V _{REFC} - 0.10		V _{REFC} + 0.10	V	9, 12
Clock input differential voltage: CK_t, CK_c	V _{IDCK} (DC)	0.198			0.18			V	10, 12
Clock input differential voltage: WCK_t, WCK_c	V _{IDWCK} (DC)	0.18			0.165			V	11, 14

NOTE :

- 1) GDDR6 SGRAMs are designed to tolerate PCB designs with separate V_{DD} and V_{DDQ} power regulators.
- 2) DC bandwidth is limited to 20 MHz.
- 3) AC noise in the system is estimated at 50mV pk-pk for the purpose of DRAM design.
- 4) The reference voltage for DQ and DBI_n pins are generated internally, and its values are determined by the Half VREFD and VREFD Level mode register bits. The typical V_{REFD} level depends on the selected data termination value (48 Ohm or 60 Ohm); see Mode Register 6 (MR6) for details.
- 5) Programmable VREFD levels are not supported with V_{REFD2} .
- 6) The reference voltage source (external or internal) is determined at power-up; the reference voltage level is determined by Half VREFC and the VREFC Offset mode register bits.
- 7) Programmable VREFC offsets are not supported with V_{REFC2} .
- 8) V_{IHR} and V_{ILR} apply to boundary scan input pins TDI, TMS and TCK. V_{IHR} and V_{ILR} apply to EDC and CA inputs at reset when latching default device configurations. V_{IHR} and V_{ILR} also apply to CA, CABI_n, CKE_n, CK, DQ, DBI_n, EDC and WCK inputs when boundary scan mode is active and input data are latched in the Capture-DR TAP controller state. While instructions EXTEST, CLAMP, HIGH-Z are activated, all ODT will be disabled. It is not necessary for the termination to be calibrated.
- 9) This provides a minimum of 0.845 V to a maximum of 1.045 V with POD135, and a minimum of 0.775 V to a maximum of 0.975 V with POD125, and is normally 70% of V_{DDQ} . DRAM timings relative to CK_t cannot be guaranteed if these limits are exceeded.
- 10) V_{IDCK} is the magnitude of the difference between the input level in CK_t and the input level on CK_c. The input reference level for signals other than CK_t and CK_c is V_{REFC} .
- 11) V_{IDWCK} is the magnitude of the difference between the input level in WCK_t and the input level on WCK_c. The input reference level for signals other than WCK_t and WCK_c is either V_{REFC} , V_{REFC2} , V_{REFD} or V_{REFD2} .
- 12) The CK_t and CK_c input reference level (for timing referenced to CK_t and CK_c) is the point at which CK_t and CK_c cross. Please refer to the applicable timings in the AC Timings table.
- 13) Use V_{IHR} and V_{ILR} when boundary scan mode is active and input data are latched in the Capture-DR TAP controller state.
- 14) The WCK_t and WCK_c input reference level (for timing referenced to WCK_t and WCK_c) is the point at which WCK_t and WCK_c cross. Please refer to the applicable timings in the AC Timings table.

[Table 80] AC Operating Conditions (For Design only¹¹⁾)

Parameter	Symbol	POD135			POD125			Unit	Note
		Min	Typ	Max	Min	Typ	Max		
AC input logic HIGH voltage with V_{REFC} : CA	$V_{IHA}(AC)$	$V_{REFC} + 0.18$			$V_{REFC} + 0.165$			V	
AC input logic LOW voltage with V_{REFC} : CA	$V_{ILA}(AC)$			$V_{REFC} - 0.18$			$V_{REFC} - 0.165$	V	
AC input logic HIGH voltage with V_{REFC2} : CA	$V_{IHA2}(AC)$	$V_{REFC} + 0.36$			$V_{REFC} + 0.333$			V	
AC input logic LOW voltage with V_{REFC2} : CA	$V_{ILA2}(AC)$			$V_{REFC} - 0.36$			$V_{REFC} - 0.333$	V	
AC input logic HIGH voltage with V_{REFD} : DQ and DBI_n	$V_{IHD}(AC)$	$V_{REFD} + 0.135$			$V_{REFD} + 0.125$			V	
AC input logic LOW voltage with V_{REFD} : DQ and DBI_n	$V_{ILD}(AC)$			$V_{REFD} - 0.135$			$V_{REFD} - 0.125$	V	
AC input logic HIGH voltage with V_{REFD2} : DQ and DBI_n	$V_{IHD2}(AC)$	$V_{REFD2} + 0.36$			$V_{REFD2} + 0.333$			V	
AC input logic LOW voltage with V_{REFD2} : DQ and DBI_n	$V_{ILD2}(AC)$			$V_{REFD2} - 0.36$			$V_{REFD2} - 0.333$	V	
Clock input differential voltage: CK_t, CK_c	$V_{IDCK}(AC)$	0.36			0.333			V	1, 3, 5
Clock input differential voltage: WCK_t, WCK_c	$V_{IDWCK}(AC)$	0.27			0.25				1, 4, 6
Clock input crossing point voltage: CK_t, CK_c	$V_{IXCK}(AC)$	$V_{REFC} - 0.108$		$V_{REFC} + 0.108$	$V_{REFC} - 0.10$		$V_{REFC} + 0.10$	V	1, 2, 5
Clock input crossing point voltage: WCK_t, WCK_c	$V_{IXWCK}(AC)$	$V_{REFD} - 0.09$		$V_{REFD} + 0.09$	$V_{REFD} - 0.09$		$V_{REFD} + 0.09$	V	1, 2, 6, 7
Allowed time before ring back of CK/WCK below $V_{IDCK}(AC)/V_{IDWCK}(AC)$	t_{DVAC}							ps	8, 9, 10

NOTE :

- For AC operations, all DC clock requirements must be satisfied as well.
- The value of V_{IXCK} and V_{IXWCK} is expected to equal 70% V_{DDQ} for the transmitting device and must track variations in the DC level of the same.
- V_{IDCK} is the magnitude of the difference between the input level in CK_t and the input level on CK_c. The input reference level for signals other than CK_t and CK_c is V_{REFC} .
- V_{IDWCK} is the magnitude of the difference between the input level in WCK_t and the input level on WCK_c. The input reference level for signals other than WCK_t and WCK_c is either V_{REFC} , V_{REFC2} , V_{REFD} or V_{REFD2} .
- The CK_t and CK_c input reference level (for timing referenced to CK_t and CK_c) is the point at which CK_t and CK_c cross. Please refer to the applicable timings in the AC Timings table.
- The WCK_t and WCK_c input reference level (for timing referenced to WCK_t and WCK_c) is the point at which WCK_t and WCK_c cross. Please refer to the applicable timings in the AC Timings table.
- V_{REFD} is either V_{REFD} or V_{REFD2} .
- Figure 87 illustrates the exact relationship between (CK_t - CK_c) or (WCK_t - WCK_c) and $V_{ID}(AC)$, $V_{ID}(DC)$ and t_{DVAC} .
- Ring back below $V_{ID}(DC)$ is not allowed.
- t_{DVAC} is not measured in and of itself as a compliance specification, but is relied upon in measurement of clock operating conditions and clock related parameters.
- The AC Operating conditions are for DRAM design only and are valid on the silicon at the input of the receiver. They are not intended to be measured.

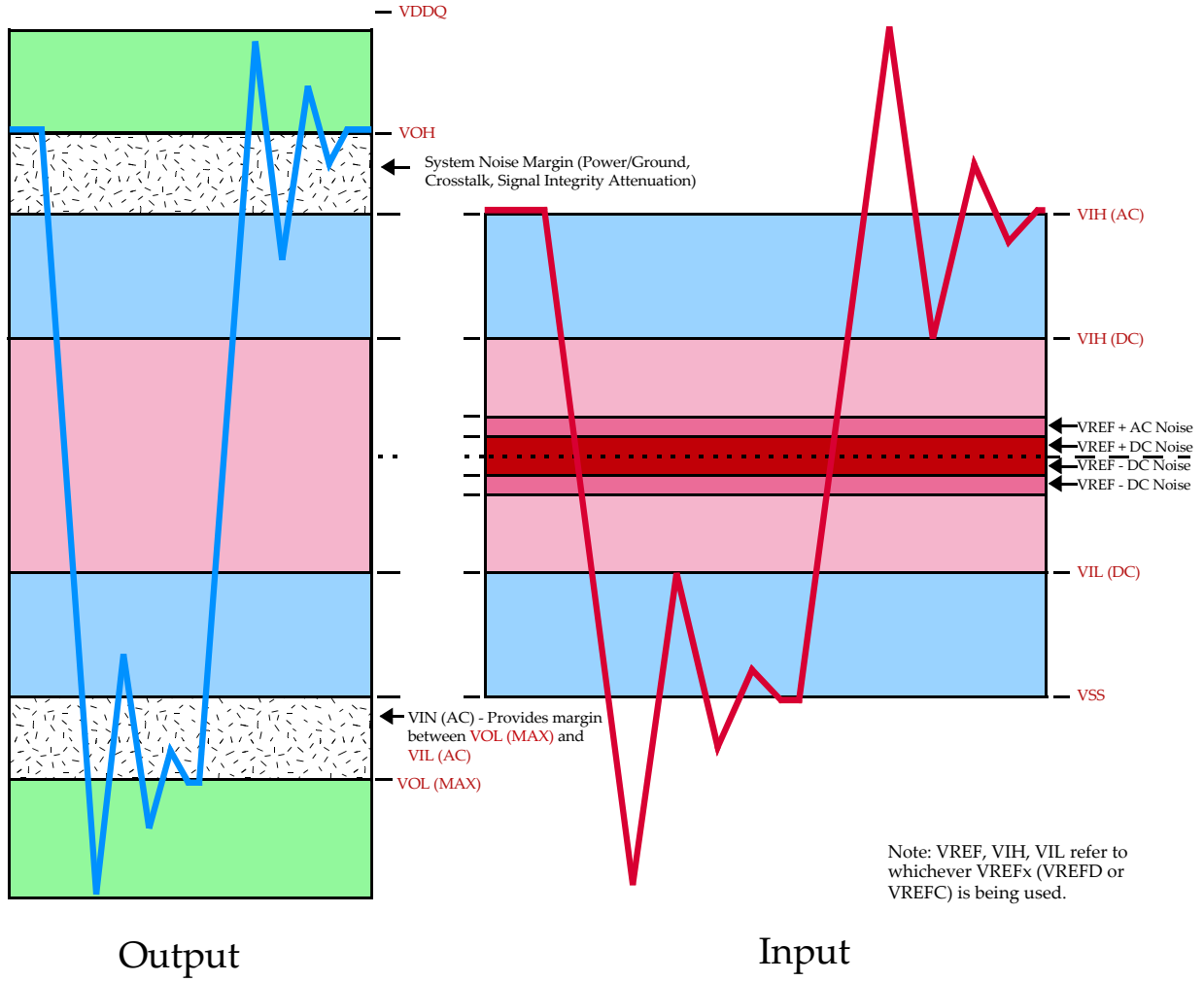


Figure 86. Voltage Waveform

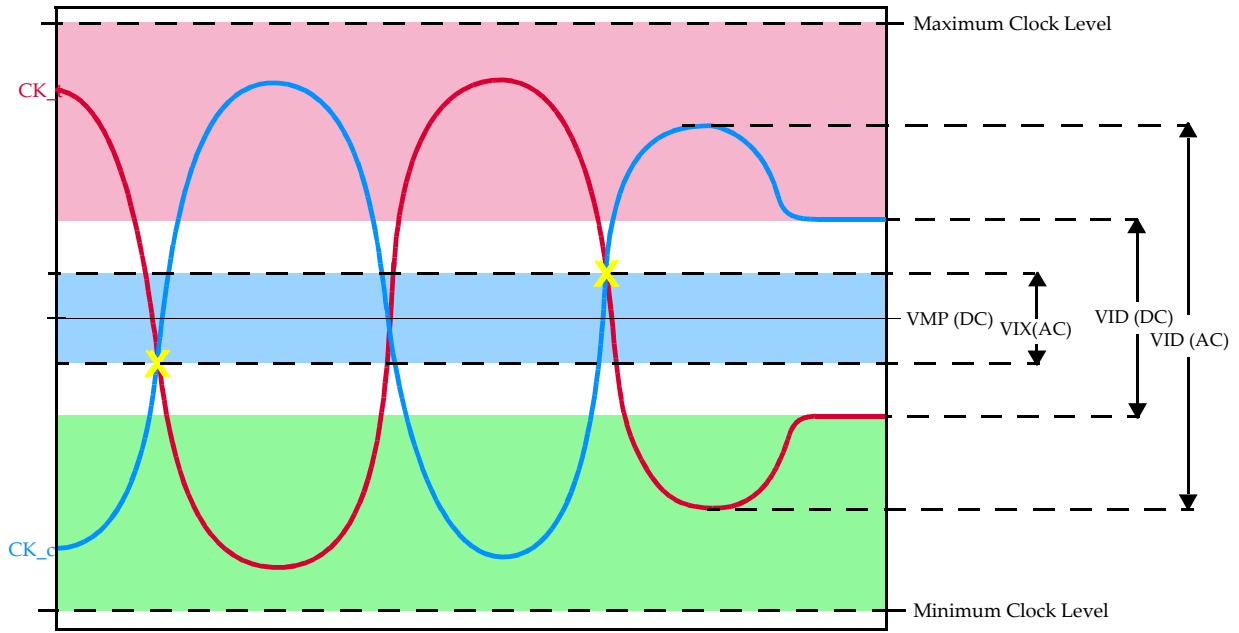


Figure 87. Clock Waveform

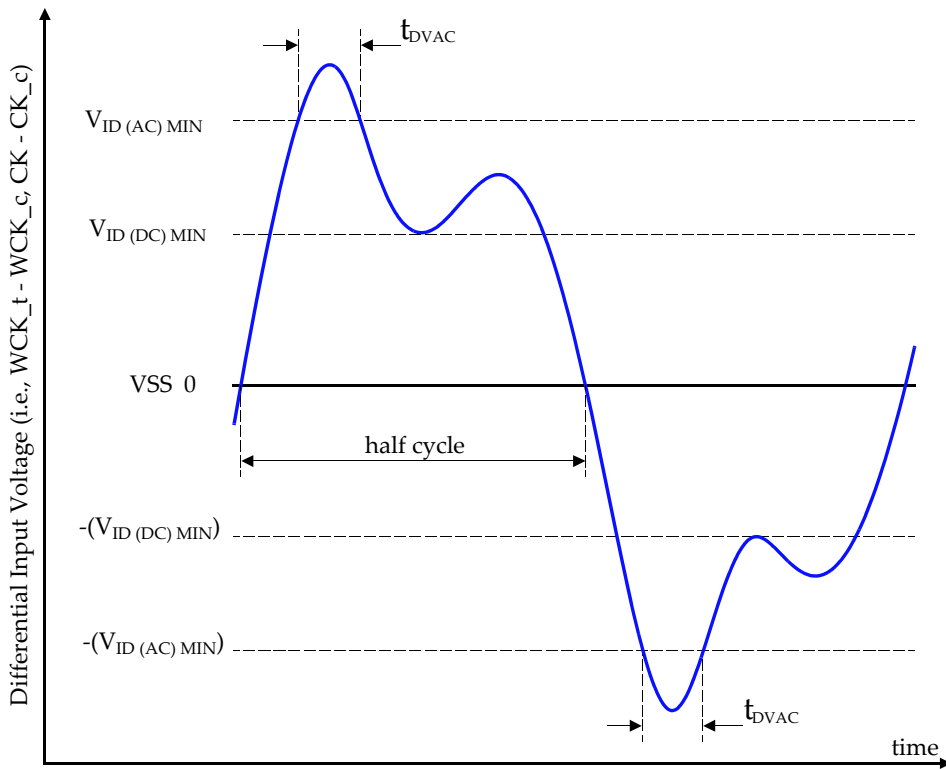


Figure 88. Definition of differential ac-swing and "time above ac-level" t_{DVAC}

8.7 POD I/O System

The POD I/O system is optimized for small systems with very high data rates. The system allows a single Master device to control one or two slaves in the case of GDDR6. The POD driver uses either a 60/40 Ohm output impedance that drives into a 60 Ohm equivalent terminator tied to V_{DDQ} or a 48/40 Ohm output impedance that drives into a 48 Ohm equivalent terminator tied to V_{DDQ} . Single and dual load systems are shown as follows:

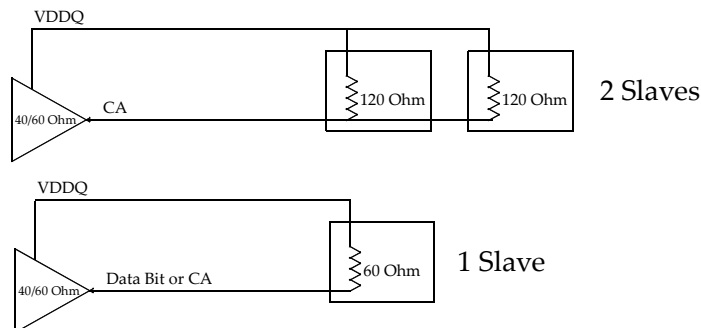


Figure 89. System Configurations

The POD Master I/O cell is comprised of a 60/40 Ohm driver and a terminator of 60 Ohms or a 48/40 Ohm driver and a terminator of 48 Ohms. The Master POD cell's terminator is disabled when the output driver is enabled. The basic cell is shown in Figure 90.

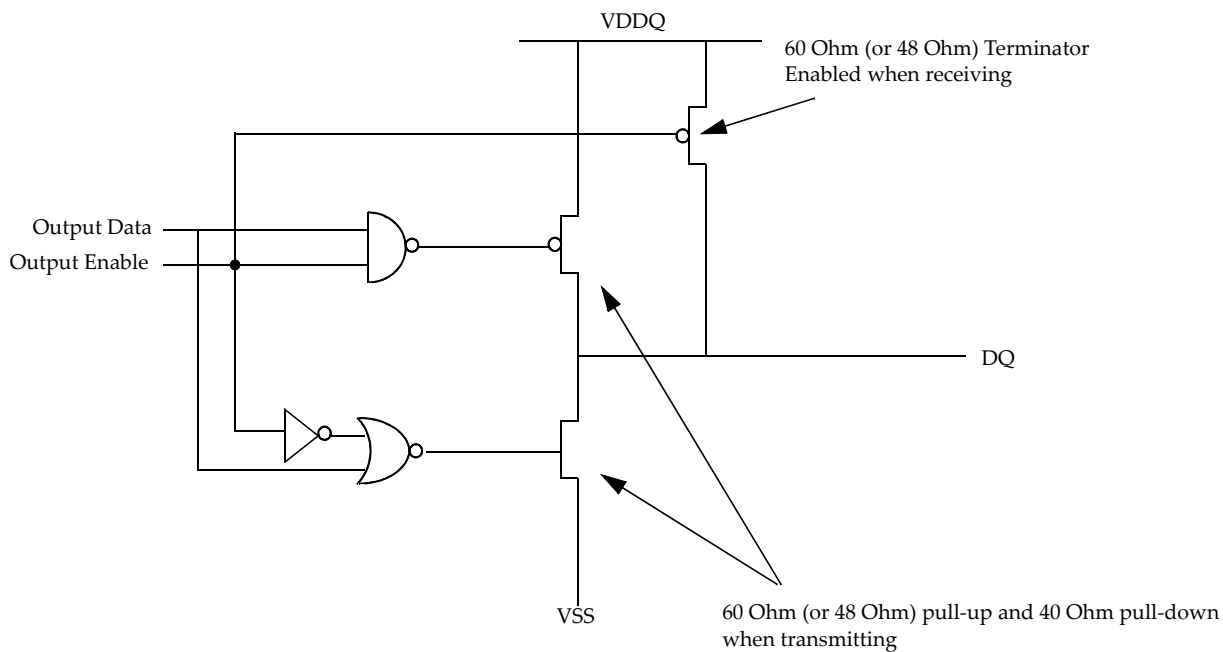


Figure 90. Master I/O Cell

The POD Slave I/O cell is comprised of a 60/40 ohm driver and programmable terminator of 60 or 120 ohms for GDDR6 or a 48/40 ohm driver and programmable terminator of 48 or 120 ohms for GDDR6. The Slave POD cell's terminator is disabled when the output driver is enabled or any other Slave output driver is enabled. The basic cell is shown in Figure 91.

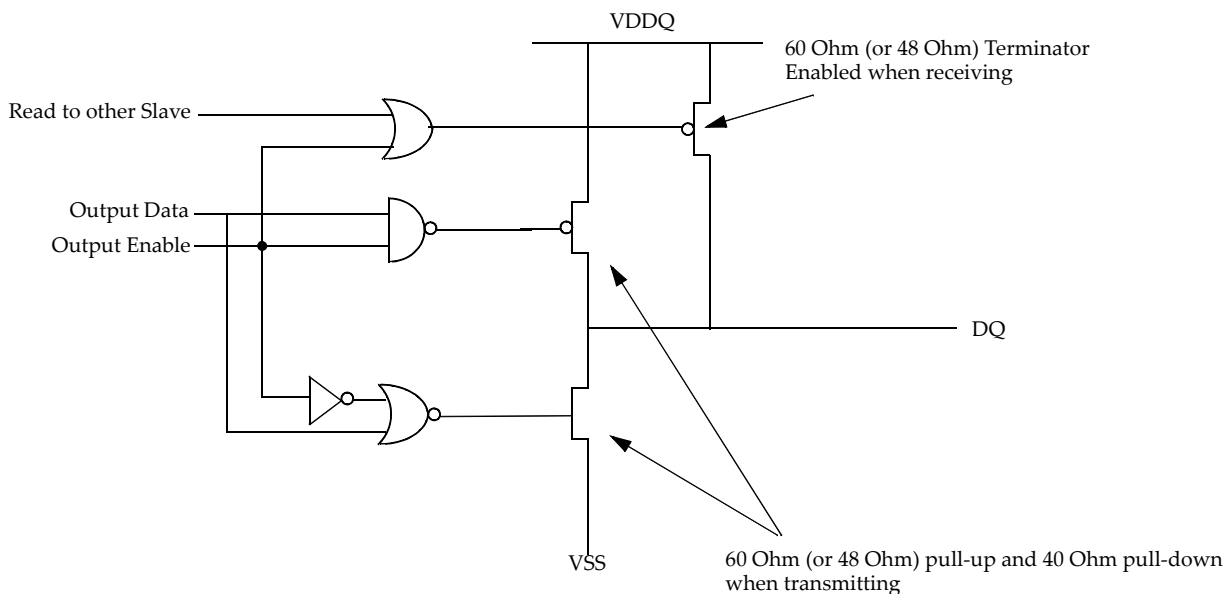


Figure 91. Slave I/O Cell

The POD Master and Slave I/O cells are intended to have their driver and terminators combined together to minimize the area needed to implement the cell and reduce input capacitance. For GDDR6 this is possible by using three 120 Ohm driver/terminator sub cells that are connected in parallel to result in a 60/40 ohm driver and programmable terminator of 60 or 120 ohms. The combinations used are as follows.

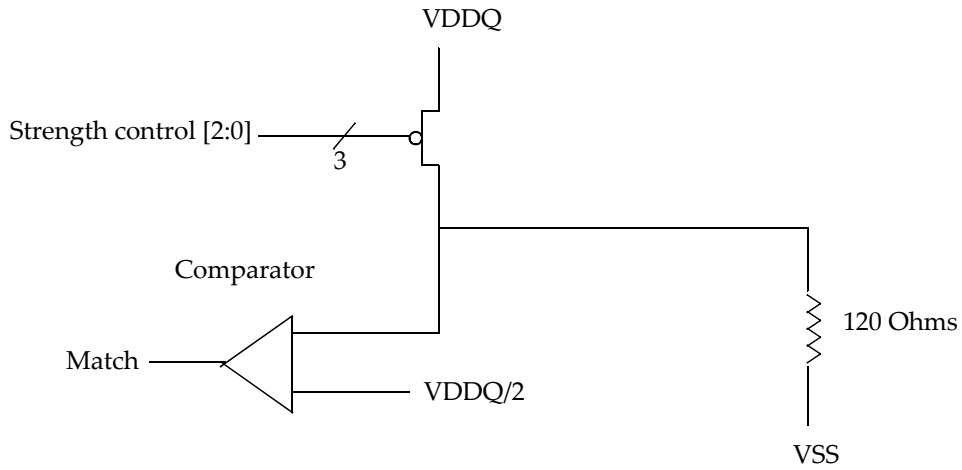
[Table 81] POD I/O Sub Cells, 120 ohm Based

# of 120 ohm Sub Cells Enabled	Resulting Impedance	Use
1	120 Ohms	2 Slave loads
2	60 Ohms	1 Slave load or Master terminator
3	40 Ohms	Master or Slave Driver

To ensure that the target impedance is achieved the POD I/O cell is designed to be calibrated to an external 1% precision resistor.

The following procedure may be used to calibrate the cell:

- 1.) First calibrate the PMOS device against a 120 Ohm resistor to VSS via the ZQ pin as illustrated in Figure 92.
 - Set Strength Control to minimum setting
 - Increase drive strength until comparator detects data bit is greater than $V_{DDQ}/2$
 - PMOS device is calibrated to 120 Ohms
- 2.) Then calibrate the NMOS device against the calibrated 120 Ohm PMOS device as illustrate in Figure 93.
 - Set Strength Control to minimum setting
 - Increase drive strength until comparator detects data bit is less than $V_{DDQ}/2$
 - NMOS device is now calibrated to 120 Ohms



When Match PMOS leg is calibrated to 120 ohms

Figure 92. PMOS Calibration

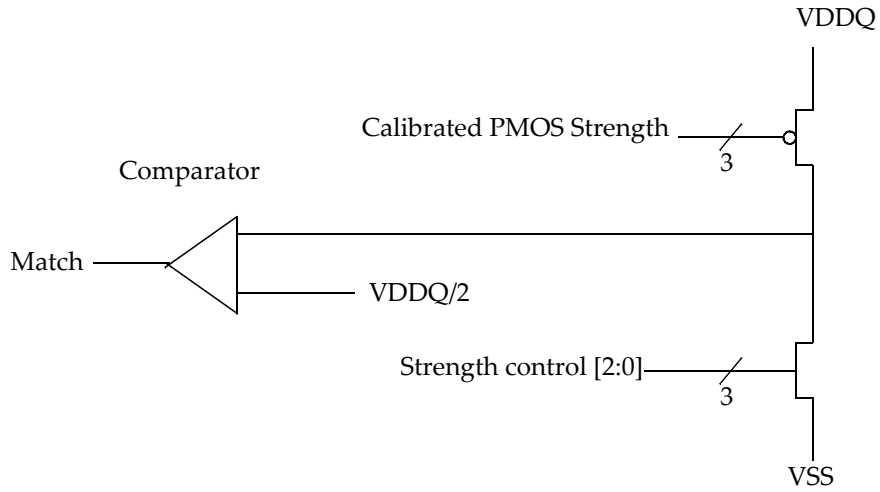


Figure 93. NMOS Calibration

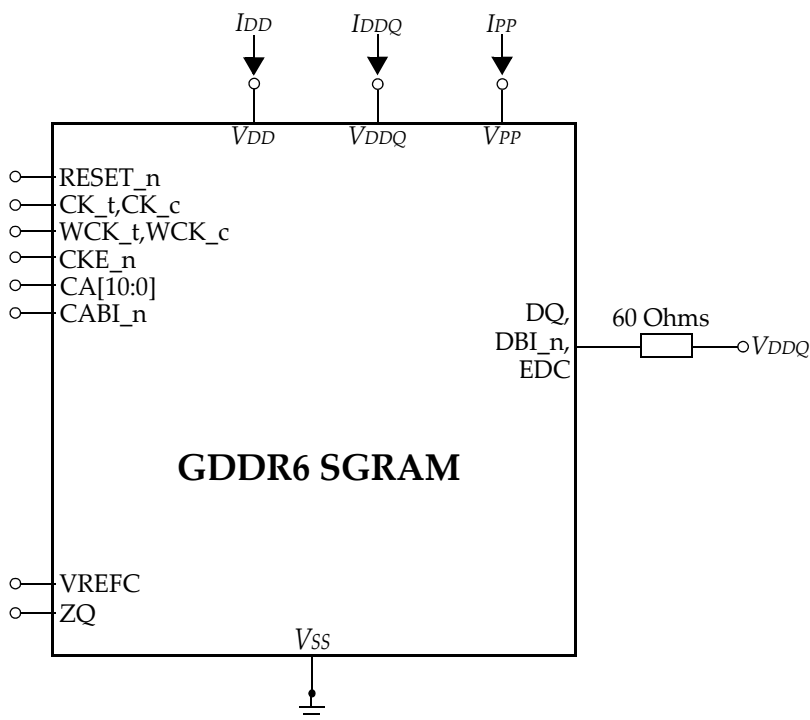
8.8 IDD and IPP Parameters And Test Conditions

This chapter defines IDD and IPP measurement conditions and patterns. Figure 94 shows the setup for IDD and IPP measurements.

- IDD currents are measured as time-averaged currents, with all V_{DD} balls of the device under test tied together. IPP currents are not included in IDD currents.
- IPP currents are measured as time-averaged currents with all V_{PP} balls of the device under test tied together. IDD currents are not included in IPP currents:

For IDD and IPP measurements, the following definitions apply:

- “0” and “LOW” is defined as $V_{IN} \leq V_{ILAC}(\max)$;
- “1” and “HIGH” is defined as $V_{IN} \geq V_{IHAC}(\min)$;
- CABI and DBI are enabled;
- All ODTs are enabled with ZQ/2 for Data, CA and WCK inputs;
- WLmrs, RLmrs, RAS, WR are set to appropriate values;
- CRC is enabled for READs and WRITEs with appropriate CRCWL and CRCRL settings;
- the EDC hold pattern is programmed to '0101';
- Bank groups are enabled if required for device operation at $t_{CK}(\min)$;
- Command Address (CA) inputs include CABI_n;
- Each data byte consists of eight DQs and one DBI_n;
- NOP with all CA inputs pulled HIGH during idle command cycles;
- Data pattern (one burst of 16) used with IDD1, IDD4R, IDD4W and IDD7 pattern:
 - DATA0 is 55h 1Eh 55h 1Eh 55h 1Eh 55h 1Eh 55h 1Eh 55h 1Eh 55h 1Eh 55h 1Eh
 - DATA1 is 1Eh 55h 1Eh 55h 1Eh 55h 1Eh 55h 1Eh 55h 1Eh 55h 1Eh 55h 1Eh 55h
- Basic IDD and IPP Measurement Conditions including timings used for IDD Measurement-Loop Patterns are described in Table 82.
- IDD Measurements are done after properly initializing the device. This includes the pre-load of the memory array with data pattern used with IDD1, IDD4R and IDD7 measurements.
- The IDD and IPP Measurement-Loop patterns shall be executed at least once before actual measurement is started.
- The measurements should be first taken with the device configured to x16 mode first and the x8 mode (2 separate measurements)
- Measurements are taken per device with the same IDD Measurement-Loop Patterns on both channels



NOTE :
 1) CA10 is only present in 24Gb and 32Gb densities.

Figure 94. Measurement Setup for IDD and IPP Measurements

(0°C ≤ T_c ≤ 85°C)

[Table 82] IDD Specifications and Test Conditions @ VDD&VDDQ=1.35V+0.0405V for 12/14/16/18Gbps

Parameter	SYMBOL	Test Condition	x32 Mode				Unit	NOTES
			HC12	HC14	HC16	HC18		
One Bank Activate Precharge Current	IDD0	t _{CK} = t _{CK} (min); t _{WCK} = t _{WCK} (min); t _{RC} = t _{RC} (min); CKE _n = LOW; DQ, DBI _n are HIGH; bank and row addresses (5 CA inputs set LOW) as defined in Table 86 with ACT command; AC timings as defined in Table 91	404	430	452	TBD	mA	1
	IPP0		14	14	15	TBD	mA	1, 2
One Bank Activate Read Precharge Current	IDD1	t _{CK} = t _{CK} (min); t _{WCK} = t _{WCK} (min); t _{RC} = t _{RC} (min); CKE _n = LOW; one bank activated; single read burst with 50% data toggle on each data transfer, with 4 outputs per data byte driven LOW; otherwise DQ, DBI _n are HIGH; bank, row and column addresses (5 CA inputs set LOW) as defined in Table 87 with ACT and READ commands; AC timings as defined in Table 91; I _{OUT} = 0mA	485	520	545	TBD	mA	1
Precharge Power-down Current	IDD2P	t _{CK} = t _{CK} (min); t _{WCK} = t _{WCK} (min); all banks idle; CKE _n = HIGH; all other inputs are HIGH; PLL/DLLs are off	210	230	248	TBD	mA	
Precharge Standby Current	IDD2N	t _{CK} = t _{CK} (min); t _{WCK} = t _{WCK} (min); all banks idle; CKE _n = LOW; all other inputs are HIGH	299	310	327	TBD	mA	
Active Power-down Current	IDD3P	t _{CK} = t _{CK} (min); t _{WCK} = t _{WCK} (min); one bank active; CKE _n = HIGH; all other inputs are HIGH	253	260	271	TBD	mA	
Active Standby Current	IDD3N	t _{CK} = t _{CK} (min); t _{WCK} = t _{WCK} (min); one bank active; CKE _n = LOW; all other inputs are HIGH	422	460	477	TBD	mA	
	IPP3N		10	10	10	TBD	mA	1, 2
Read Burst Current	IDD4R	t _{CK} = t _{CK} (min); t _{WCK} = t _{WCK} (min); CKE _n = LOW; one bank in each of the 4 bank groups activated; continuous read burst across bank groups with 50% data toggle on each data transfer, with 4 outputs per data byte driven LOW as defined in Table 88; bank and column addresses (5 CA inputs set LOW) as defined in Table 88; with READ command; I _{OUT} = 0mA	1083	1220	1292	TBD	mA	
Write Burst Current	IDD4W	t _{CK} = t _{CK} (min); t _{WCK} = t _{WCK} (min); CKE _n = LOW; one bank in each of the 4 bank groups activated; continuous write burst across bank groups with 50% data toggle on each data transfer, with 4 inputs per data byte set LOW; as defined in Table 89; bank and column addresses (5 CA inputs set LOW) as defined in Table 89; with WRITE command; no data mask	1242	1470	1511	TBD	mA	
Refresh Current	IDD5	t _{CK} = t _{CK} (min); t _{WCK} = t _{WCK} (min); t _{RFCab} = t _{RFCab} (min) as defined in Table 91; CKE _n = LOW; DQ, DBI _n are HIGH; CA inputs are HIGH	723	790	830	TBD	mA	1
	IPP5		68	77	85	TBD	mA	1, 2
Self Refresh Current	IDD6	CKE _n = HIGH; all other inputs are HIGH	150	150	150	TBD	mA	
Four Bank Interleave Read Current	IDD7	t _{CK} = t _{CK} (min); t _{WCK} = t _{WCK} (min); CKE _n = LOW; one bank in each of the 4 bank groups activated and precharged at t _{RC} (min); continuous read burst across bank groups with 50% data toggle on each data transfer, with 4 outputs per data byte driven LOW as defined in Table 90; bank, row and column addresses (5 CA inputs set LOW) as defined in Table 90; with ACT and READ/READA commands; I _{OUT} = 0mA	1390	1640	1679	TBD	mA	
	IPP7		27	31	35	TBD	mA	1, 2

NOTE :

- 1) Min t_{RC} or t_{RFCab} for IDD measurements is the smallest multiple of t_{CK} that meets the minimum of the absolute value for the respective parameter.
- 2) IPP currents have the same definition as IDD except that the current on the VPP supply is measured. IPP0 test and limit is applicable for IDD0 and IDD1 conditions. IPP3N test and limit is applicable for all IDD2X, IDD3X, IDD4X and IDD6 conditions.

(0°C ≤ Tc ≤ 85°C)

[Table 83] IDD Specifications and Test Conditions @ VDD&VDDQ=1.35V+0.0405V for 12/14/16Gbps

Parameter	SYMBOL	Test Condition	x16 Mode				Unit	NOTES
			HC12	HC14	HC16	HC18		
One Bank Activate Precharge Current	IDD0	$t_{CK} = t_{CK}(\min)$; $t_{WCK} = t_{WCK}(\min)$; $t_{RC} = t_{RC}(\min)$; CKE_n = LOW; DQ, DBI_n are HIGH; bank and row addresses (5 CA inputs set LOW) as defined in Table 86 with ACT command; AC timings as defined in Table 91	337	357	376	TBD	mA	1
	IPP0		14	14	15	TBD	mA	1, 2
One Bank Activate Read Precharge Current	IDD1	$t_{CK} = t_{CK}(\min)$; $t_{WCK} = t_{WCK}(\min)$; $t_{RC} = t_{RC}(\min)$; CKE_n = LOW; one bank activated; single read burst with 50% data toggle on each data transfer, with 4 outputs per data byte driven LOW; otherwise DQ, DBI_n are HIGH; bank, row and column addresses (5 CA inputs set LOW) as defined in Table 87 with ACT and READ commands; AC timings as defined in Table 91; $I_{OUT} = 0mA$	379	408	425	TBD	mA	1
Precharge Power-down Current	IDD2P	$t_{CK} = t_{CK}(\min)$; $t_{WCK} = t_{WCK}(\min)$; all banks idle; CKE_n = HIGH; all other inputs are HIGH; PLL/DLLs are off	193	200	204	TBD	mA	
Precharge Standby Current	IDD2N	$t_{CK} = t_{CK}(\min)$; $t_{WCK} = t_{WCK}(\min)$; all banks idle; CKE_n = LOW; all other inputs are HIGH	262	276	284	TBD	mA	
Active Power-down Current	IDD3P	$t_{CK} = t_{CK}(\min)$; $t_{WCK} = t_{WCK}(\min)$; one bank active; CKE_n = HIGH; all other inputs are HIGH	216	222	226	TBD	mA	
Active Standby Current	IDD3N	$t_{CK} = t_{CK}(\min)$; $t_{WCK} = t_{WCK}(\min)$; one bank active; CKE_n = LOW; all other inputs are HIGH	339	362	374	TBD	mA	
	IPP3N		10	10	10	TBD	mA	1, 2
Read Burst Current	IDD4R	$t_{CK} = t_{CK}(\min)$; $t_{WCK} = t_{WCK}(\min)$; CKE_n = LOW; one bank in each of the 4 bank groups activated; continuous read burst across bank groups with 50% data toggle on each data transfer, with 4 outputs per data byte driven LOW as defined in Table 88; bank and column addresses (5 CA inputs set LOW) as defined in Table 88; with READ command; $I_{OUT} = 0mA$	726	817	864	TBD	mA	
Write Burst Current	IDD4W	$t_{CK} = t_{CK}(\min)$; $t_{WCK} = t_{WCK}(\min)$; CKE_n = LOW; one bank in each of the 4 bank groups activated; continuous write burst across bank groups with 50% data toggle on each data transfer, with 4 inputs per data byte set LOW; as defined in Table 89; bank and column addresses (5 CA inputs set LOW) as defined in Table 89; with WRITE command; no data mask	1016	1197	1223	TBD	mA	
Refresh Current	IDD5	$t_{CK} = t_{CK}(\min)$; $t_{WCK} = t_{WCK}(\min)$; $t_{RFCab} = t_{RFCab}(\min)$ as defined in Table 91; CKE_n = LOW; DQ, DBI_n are HIGH; CA inputs are HIGH	643	703	737	TBD	mA	1
	IPP5		68	77	85	TBD	mA	1, 2
Self Refresh Current	IDD6	CKE_n = HIGH; all other inputs are HIGH	147	146	146	TBD	mA	
Four Bank Interleave Read Current	IDD7	$t_{CK} = t_{CK}(\min)$; $t_{WCK} = t_{WCK}(\min)$; CKE_n = LOW; one bank in each of the 4 bank groups activated and precharged at $t_{RC}(\min)$; continuous read burst across bank groups with 50% data toggle on each data transfer, with 4 outputs per data byte driven LOW as defined in Table 90; bank, row and column addresses (5 CA inputs set LOW) as defined in Table 90; with ACT and READ/READA commands; $I_{OUT} = 0mA$	911	1073	1098	TBD	mA	
	IPP7		27	31	35	TBD	mA	1, 2

NOTE :

- 1) Min t_{RC} or t_{RFCab} for IDD measurements is the smallest multiple of t_{CK} that meets the minimum of the absolute value for the respective parameter.
- 2) IPP currents have the same definition as IDD except that the current on the VPP supply is measured. IPP0 test and limit is applicable for IDD0 and IDD1 conditions. IPP3N test and limit is applicable for all IDD2X, IDD3X, IDD4X and IDD6 conditions.

(0°C ≤ Tc ≤ 85°C)

[Table 84] IDD Specifications and Test Conditions @ VDD&VDDQ=1.25V+0.0375V for 10/12/14Gbps

Parameter	SYMBOL	Test Condition	x32 Mode			Unit	NOTES
			HC12	HC14	HC16		
One Bank Activate Precharge Current	IDD0	$t_{CK} = t_{CK}(\min)$; $t_{WCK} = t_{WCK}(\min)$; $t_{RC} = t_{RC}(\min)$; $CKE_n = \text{LOW}$; DQ, DBI_n are HIGH; bank and row addresses (5 CA inputs set LOW) as defined in Table 86 with ACT command; AC timings as defined in Table 91	308	350	404	mA	1
	IPP0		14	14	15	mA	1, 2
One Bank Activate Read Precharge Current	IDD1	$t_{CK} = t_{CK}(\min)$; $t_{WCK} = t_{WCK}(\min)$; $t_{RC} = t_{RC}(\min)$; $CKE_n = \text{LOW}$; one bank activated; single read burst with 50% data toggle on each data transfer, with 4 outputs per data byte driven LOW; otherwise DQ, DBI_n are HIGH; bank, row and column addresses (5 CA inputs set LOW) as defined in Table 87 with ACT and READ commands; AC timings as defined in Table 91; $I_{OUT} = 0\text{mA}$	364	420	475	mA	1
Precharge Power-down Current	IDD2P	$t_{CK} = t_{CK}(\min)$; $t_{WCK} = t_{WCK}(\min)$; all banks idle; $CKE_n = \text{HIGH}$; all other inputs are HIGH; PLL/DLLs are off	170	190	224	mA	
Precharge Standby Current	IDD2N	$t_{CK} = t_{CK}(\min)$; $t_{WCK} = t_{WCK}(\min)$; all banks idle; $CKE_n = \text{LOW}$; all other inputs are HIGH	224	250	293	mA	
Active Power-down Current	IDD3P	$t_{CK} = t_{CK}(\min)$; $t_{WCK} = t_{WCK}(\min)$; one bank active; $CKE_n = \text{HIGH}$; all other inputs are HIGH	192	220	245	mA	
Active Standby Current	IDD3N	$t_{CK} = t_{CK}(\min)$; $t_{WCK} = t_{WCK}(\min)$; one bank active; $CKE_n = \text{LOW}$; all other inputs are HIGH	324	380	422	mA	
	IPP3N		10	10	10	mA	1, 2
Read Burst Current	IDD4R	$t_{CK} = t_{CK}(\min)$; $t_{WCK} = t_{WCK}(\min)$; $CKE_n = \text{LOW}$; one bank in each of the 4 bank groups activated; continuous read burst across bank groups with 50% data toggle on each data transfer, with 4 outputs per data byte driven LOW as defined in Table 88; bank and column addresses (5 CA inputs set LOW) as defined in Table 88; with READ command; $I_{OUT} = 0\text{mA}$	839	990	1123	mA	
Write Burst Current	IDD4W	$t_{CK} = t_{CK}(\min)$; $t_{WCK} = t_{WCK}(\min)$; $CKE_n = \text{LOW}$; one bank in each of the 4 bank groups activated; continuous write burst across bank groups with 50% data toggle on each data transfer, with 4 inputs per data byte set LOW; as defined in Table 89; bank and column addresses (5 CA inputs set LOW) as defined in Table 89; with WRITE command; no data mask	947	1180	1307	mA	
Refresh Current	IDD5	$t_{CK} = t_{CK}(\min)$; $t_{WCK} = t_{WCK}(\min)$; $t_{RFCab} = t_{RFCab}(\min)$ as defined in Table 91; $CKE_n = \text{LOW}$; DQ, DBI_n are HIGH; CA inputs are HIGH	563	650	698	mA	1
	IPP5		65	68	77	mA	1, 2
Self Refresh Current	IDD6	$CKE_n = \text{HIGH}$; all other inputs are HIGH	140	140	140	mA	
Four Bank Interleave Read Current	IDD7	$t_{CK} = t_{CK}(\min)$; $t_{WCK} = t_{WCK}(\min)$; $CKE_n = \text{LOW}$; one bank in each of the 4 bank groups activated and precharged at $t_{RC}(\min)$; continuous read burst across bank groups with 50% data toggle on each data transfer, with 4 outputs per data byte driven LOW as defined in Table 90; bank, row and column addresses (5 CA inputs set LOW) as defined in Table 90; with ACT and READ/READA commands; $I_{OUT} = 0\text{mA}$	1071	1320	1451	mA	
	IPP7		25	27	31	mA	1, 2

NOTE :

- 1) Min t_{RC} or t_{RFCab} for IDD measurements is the smallest multiple of t_{CK} that meets the minimum of the absolute value for the respective parameter.
- 2) IPP currents have the same definition as IDD except that the current on the VPP supply is measured. IPP0 test and limit is applicable for IDD0 and IDD1 conditions. IPP3N test and limit is applicable for all IDD2X, IDD3X, IDD4X and IDD6 conditions.

(0°C ≤ Tc ≤ 85°C)

[Table 85] IDD Specifications and Test Conditions @ VDD&VDDQ=1.25V+0.0375V for 10/12/14Gbps

Parameter	SYMBOL	Test Condition	x16 Mode			Unit	NOTES
			HC12	HC14	HC16		
One Bank Activate Precharge Current	IDD0	$t_{CK} = t_{CK}(\min)$; $t_{WCK} = t_{WCK}(\min)$; $t_{RC} = t_{RC}(\min)$; CKE_n = LOW; DQ, DBI_n are HIGH; bank and row addresses (5 CA inputs set LOW) as defined in Table 86 with ACT command; AC timings as defined in Table 91	257	314	335	mA	1
	IPP0		14	14	15	mA	1, 2
One Bank Activate Read Precharge Current	IDD1	$t_{CK} = t_{CK}(\min)$; $t_{WCK} = t_{WCK}(\min)$; $t_{RC} = t_{RC}(\min)$; CKE_n = LOW; one bank activated; single read burst with 50% data toggle on each data transfer, with 4 outputs per data byte driven LOW; otherwise DQ, DBI_n are HIGH; bank, row and column addresses (5 CA inputs set LOW) as defined in Table 87 with ACT and READ commands; AC timings as defined in Table 91; I _{OUT} = 0mA	284	349	372	mA	1
Precharge Power-down Current	IDD2P	$t_{CK} = t_{CK}(\min)$; $t_{WCK} = t_{WCK}(\min)$; all banks idle; CKE_n = HIGH; all other inputs are HIGH; PLL/DLLs are off	141	179	176	mA	
Precharge Standby Current	IDD2N	$t_{CK} = t_{CK}(\min)$; $t_{WCK} = t_{WCK}(\min)$; all banks idle; CKE_n = LOW; all other inputs are HIGH	196	243	254	mA	
Active Power-down Current	IDD3P	$t_{CK} = t_{CK}(\min)$; $t_{WCK} = t_{WCK}(\min)$; one bank active; CKE_n = HIGH; all other inputs are HIGH	164	200	205	mA	
Active Standby Current	IDD3N	$t_{CK} = t_{CK}(\min)$; $t_{WCK} = t_{WCK}(\min)$; one bank active; CKE_n = LOW; all other inputs are HIGH	261	314	332	mA	
	IPP3N		10	10	10	mA	1, 2
Read Burst Current	IDD4R	$t_{CK} = t_{CK}(\min)$; $t_{WCK} = t_{WCK}(\min)$; CKE_n = LOW; one bank in each of the 4 bank groups activated; continuous read burst across bank groups with 50% data toggle on each data transfer, with 4 outputs per data byte driven LOW as defined in Table 88; bank and column addresses (5 CA inputs set LOW) as defined in Table 88; with READ command; I _{OUT} = 0mA	562	663	752	mA	
Write Burst Current	IDD4W	$t_{CK} = t_{CK}(\min)$; $t_{WCK} = t_{WCK}(\min)$; CKE_n = LOW; one bank in each of the 4 bank groups activated; continuous write burst across bank groups with 50% data toggle on each data transfer, with 4 inputs per data byte set LOW; as defined in Table 89; bank and column addresses (5 CA inputs set LOW) as defined in Table 89; with WRITE command; no data mask	775	965	1064	mA	
Refresh Current	IDD5	$t_{CK} = t_{CK}(\min)$; $t_{WCK} = t_{WCK}(\min)$; $t_{RFCab} = t_{RFCab}(\min)$ as defined in Table 91; CKE_n = LOW; DQ, DBI_n are HIGH; CA inputs are HIGH	500	591	621	mA	1
	IPP5		65	68	77	mA	1, 2
Self Refresh Current	IDD6	CKE_n = HIGH; all other inputs are HIGH	137	137	137	mA	
Four Bank Interleave Read Current	IDD7	$t_{CK} = t_{CK}(\min)$; $t_{WCK} = t_{WCK}(\min)$; CKE_n = LOW; one bank in each of the 4 bank groups activated and precharged at $t_{RC}(\min)$; continuous read burst across bank groups with 50% data toggle on each data transfer, with 4 outputs per data byte driven LOW as defined in Table 90; bank, row and column addresses (5 CA inputs set LOW) as defined in Table 90; with ACT and READ/READA commands; I _{OUT} = 0mA	702	865	949	mA	
	IPP7		25	27	31	mA	1, 2

NOTE :

- 1) Min t_{RC} or t_{RFCab} for IDD measurements is the smallest multiple of t_{CK} that meets the minimum of the absolute value for the respective parameter.
- 2) IPP currents have the same definition as IDD except that the current on the VPP supply is measured. IPP0 test and limit is applicable for IDD0 and IDD1 conditions. IPP3N test and limit is applicable for all IDD2X, IDD3X, IDD4X and IDD6 conditions.

[Table 86] IDD0 Measurement-Loop Pattern

Sub-Loop	Cycle Number	Command	Clock	CA10	CA9	CA8	CA7	CA6	CA5	CA4	CA3	CA2	CA1	CA0	CABI_n	Data	
0	0	ACT	Rising	L	H	L	H	H	H	H	H	L	L	L	L	-	
			Falling	H	L	L	H	H	H	H	H	H	L	L	H		
	1	NOP	Rising	H	H	H	H	H	H	H	H	H	H	H	H	-	
			Falling	H	H	H	H	H	H	H	H	H	H	H	H		
	...	repeat NOP until cycle (nRAS -1)															
	nRAS	PRE	Rising	H	H	L	L	L	L	L	L	H	H	H	H	H	-
			Falling	H	L	L	H	H	H	H	H	H	H	H	H	H	
	nRAS + 1	NOP	Rising	H	H	H	H	H	H	H	H	H	H	H	H	H	-
			Falling	H	H	H	H	H	H	H	H	H	H	H	H	H	
	...	repeat NOP until cycle (nRC -1)															
1	nRC	repeat sub-loop 0 pattern until cycle (2* nRC -1); use BA = 03h and RA = 03C7h instead															
2	2* nRC	repeat sub-loop 0 pattern until cycle (3* nRC -1); use BA = 04h and RA = 07C7h instead															
3	3* nRC	repeat sub-loop 0 pattern until cycle (4* nRC -1); use BA = 07h and RA = 01C7h instead															

NOTE :

1) IDD test data & command pattern is vendor specific. Users should refer to vendor's GDDR6 datasheet.

[Table 87] IDD1 Measurement-Loop Pattern

Sub-Loop	Cycle Number	Command	Clock	CA10	CA9	CA8	CA7	CA6	CA5	CA4	CA3	CA2	CA1	CA0	CABI_n	Data	
0	0	ACT	Rising	L	H	L	H	H	H	H	H	L	L	L	L	-	
			Falling	H	L	L	H	H	H	H	H	H	L	L	H		
	1	NOP	Rising	H	H	H	H	H	H	H	H	H	H	H	H	-	
			Falling	H	H	H	H	H	H	H	H	H	H	H	H		
	...	repeat pattern until cycle (nRCDRD -1)															
	nRCDRD	READ	Rising	H	L	L	H	H	H	H	L	L	L	H	H	L	DATA0
			Falling	H	H	L	H	H	L	H	L	L	L	H	H	L	
	nRCDRD + 1	NOP	Rising	H	H	H	H	H	H	H	H	H	H	H	H	H	-
			Falling	H	H	H	H	H	H	H	H	H	H	H	H	H	
	...	repeat pattern until cycle (nRAS -1)															
nRAS	PRE	Rising	H	H	L	L	L	L	L	L	H	H	H	H	H	-	
		Falling	H	L	L	H	H	H	H	H	H	H	H	H	H		
nRAS + 1	NOP	Rising	H	H	H	H	H	H	H	H	H	H	H	H	H	-	
		Falling	H	H	H	H	H	H	H	H	H	H	H	H	H		
...	repeat pattern until cycle (nRC -1)																
1	nRC	repeat sub-loop 0 pattern until cycle (2* nRC -1); use BA = 03h, RA = 03C7h, CA = 23h and DATA1 instead															
2	2* nRC	repeat sub-loop 0 pattern until cycle (3* nRC -1); use BA = 04h, RA = 07C7h, CA = 4Ch and DATA0 instead															
3	3* nRC	repeat sub-loop 0 pattern until cycle (4* nRC -1); use BA = 07h, RA = 01C7h, CA = 23h and DATA1 instead															

[Table 88] IDD4R Measurement-Loop Pattern

Sub-Loop	Cycle Number	Command	Clock	CA10	CA9	CA8	CA7	CA6	CA5	CA4	CA3	CA2	CA1	CA0	CABI_n	Data
0	0	READ	Rising	H	H	H	H	L	L	L	H	H	L	L	H	DATA0
			Falling	H	H	L	H	H	L	H	L	L	H	H	L	
	1	NOP	Rising	H	H	H	H	H	H	H	H	H	H	H	H	-
			Falling	H	H	H	H	H	H	H	H	H	H	H	H	
	2	READ	Rising	H	H	H	L	L	H	H	L	L	H	H	H	DATA1
			Falling	H	H	L	H	H	L	H	L	H	L	H	L	
	3	NOP	Rising	H	H	H	H	H	H	H	H	H	H	H	H	-
			Falling	H	H	H	H	H	H	H	H	H	H	H	H	
	4	READ	Rising	H	H	H	L	H	L	L	H	H	L	L	H	DATA0
			Falling	H	H	L	H	H	L	H	L	L	H	H	L	
	5	NOP	Rising	H	H	H	H	H	H	H	H	H	H	H	H	-
			Falling	H	H	H	H	H	H	H	H	H	H	H	H	
	6	READ	Rising	H	H	H	L	H	H	H	L	L	H	H	H	DATA1
			Falling	H	H	L	H	H	L	H	L	H	L	H	L	
	7	NOP	Rising	H	H	H	H	H	H	H	H	H	H	H	H	-
			Falling	H	H	H	H	H	H	H	H	H	H	H	H	

[Table 89] IDD4W Measurement-Loop Pattern

Sub-Loop	Cycle Number	Command	Clock	CA10	CA9	CA8	CA7	CA6	CA5	CA4	CA3	CA2	CA1	CA0	CABI_n	Data
0	0	WRITE	Rising	H	H	H	H	L	L	L	H	H	L	L	H	DATA0
			Falling	H	H	H	H	H	L	H	L	L	H	H	L	
	1	NOP	Rising	H	H	H	H	H	H	H	H	H	H	H	H	-
			Falling	H	H	H	H	H	H	H	H	H	H	H	H	
	2	WRITE	Rising	H	H	H	L	L	H	H	L	L	H	H	H	DATA1
			Falling	H	H	H	H	H	L	H	L	H	L	H	L	
	3	NOP	Rising	H	H	H	H	H	H	H	H	H	H	H	H	-
			Falling	H	H	H	H	H	H	H	H	H	H	H	H	
	4	WRITE	Rising	H	H	H	L	H	L	L	H	H	L	L	H	DATA0
			Falling	H	H	H	H	H	L	H	L	L	H	H	L	
	5	NOP	Rising	H	H	H	H	H	H	H	H	H	H	H	H	-
			Falling	H	H	H	H	H	H	H	H	H	H	H	H	
	6	WRITE	Rising	H	H	H	L	H	H	H	L	L	H	H	H	DATA1
			Falling	H	H	H	H	H	L	H	L	H	L	H	L	
	7	NOP	Rising	H	H	H	H	H	H	H	H	H	H	H	H	-
			Falling	H	H	H	H	H	H	H	H	H	H	H	H	

[Table 90] IDD7 Measurement-Loop Pattern

Sub-Loop	Cycle Number	Command	Clock	CA10	CA9	CA8	CA7	CA6	CA5	CA4	CA3	CA2	CA1	CA0	CABI_n	Data
0	0	ACT	Rising	H	L	H	H	L	L	L	L	H	H	H	H	-
			Falling	H	L	L	L	H	H	H	H	H	L	L	H	
	1	READ	Rising	H	H	H	H	H	L	L	L	L	H	H	H	DATA0
			Falling	H	H	L	H	H	L	H	L	H	L	H	L	
	2	NOP	Rising	H	H	H	H	H	H	H	H	H	H	H	H	-
			Falling	H	H	H	H	H	H	H	H	H	H	H	H	
	3	READ	Rising	H	H	H	H	H	L	L	H	H	L	L	H	DATA1
			Falling	H	H	L	H	H	L	H	L	L	H	H	L	
	4	NOP	Rising	H	H	H	H	H	H	H	H	H	H	H	H	-
			Falling	H	H	H	H	H	H	H	H	H	H	H	H	
	5	READ	Rising	H	H	H	H	H	L	L	L	L	H	H	H	DATA0
			Falling	H	H	L	H	H	L	H	L	H	L	H	L	
	6	NOP	Rising	H	H	H	H	H	H	H	H	H	H	H	H	-
			Falling	H	H	H	H	H	H	H	H	H	H	H	H	
	7	READ	Rising	H	H	H	L	H	H	H	H	H	L	L	H	DATA1
			Falling	H	H	L	H	H	L	H	L	L	H	H	L	
	8	NOP	Rising	H	H	H	H	H	H	H	H	H	H	H	H	-
			Falling	H	H	H	H	H	H	H	H	H	H	H	H	
	9	READ	Rising	H	H	H	L	H	H	H	L	L	H	H	H	DATA0
			Falling	H	H	L	H	H	L	H	L	H	L	H	L	
	10	NOP	Rising	H	H	H	H	H	H	H	H	H	H	H	H	-
			Falling	H	H	H	H	H	H	H	H	H	H	H	H	
	11	READ	Rising	H	H	H	H	H	L	L	H	H	L	L	H	DATA1
			Falling	H	H	L	H	H	L	H	L	L	H	H	L	
	12	ACT	Rising	H	H	H	H	H	H	H	H	H	H	H	H	-
			Falling	H	H	H	H	H	H	H	H	H	H	H	H	
	13	READA	Rising	H	H	H	H	H	L	L	L	L	H	H	H	DATA0
			Falling	H	L	H	L	L	H	H	H	L	H	L	H	
	14	NOP	Rising	H	H	H	H	H	H	H	H	H	H	H	H	-
			Falling	H	H	H	H	H	H	H	H	H	H	H	H	
	15	READ	Rising	H	H	H	L	H	H	H	H	H	L	L	H	DATA1
			Falling	H	H	L	H	H	L	H	L	L	H	H	L	
	16	NOP	Rising	H	H	H	H	H	H	H	H	H	H	H	H	-
			Falling	H	H	H	H	H	H	H	H	H	H	H	H	
	17	READ	Rising	H	H	H	L	H	H	H	L	L	H	H	H	DATA0
			Falling	H	H	L	H	H	L	H	L	H	L	H	L	
	18	NOP	Rising	H	H	H	H	H	H	H	H	H	H	H	H	-
			Falling	H	H	H	H	H	H	H	H	H	H	H	H	
	19	READ	Rising	H	H	H	L	H	H	H	H	H	L	L	H	DATA1
			Falling	H	H	L	H	H	L	H	L	L	H	H	L	
	20	ACT	Rising	H	L	H	L	L	H	H	L	H	H	H	H	-
			Falling	H	L	L	L	H	H	H	H	H	L	L	H	
	21	READ	Rising	H	H	H	L	H	H	H	L	L	H	H	H	DATA0
			Falling	H	H	L	H	H	L	H	L	H	L	H	L	
	22	NOP	Rising	H	H	H	H	H	H	H	H	H	H	H	H	-
			Falling	H	H	H	H	H	H	H	H	H	H	H	H	

[Table 90] IDD7 Measurement-Loop Pattern

Sub-Loop	Cycle Number	Command	Clock	CA10	CA9	CA8	CA7	CA6	CA5	CA4	CA3	CA2	CA1	CA0	CABI_n	Data
	23	READ	Rising	H	H	H	L	H	H	H	H	H	L	L	H	DATA1
			Falling	H	H	L	H	H	L	H	L	L	H	H	L	
	24	ACT	Rising	H	H	H	H	H	H	H	H	H	H	H	H	-
			Falling	H	H	H	H	H	H	H	H	H	H	H	H	
	25	READ	Rising	H	H	H	L	H	H	H	L	L	H	H	H	DATA0
			Falling	H	H	L	H	H	L	H	L	H	L	H	L	
	26	NOP	Rising	H	H	H	H	H	H	H	H	H	H	H	H	-
			Falling	H	H	H	H	H	H	H	H	H	H	H	H	
	27	READ	Rising	H	H	H	H	L	L	L	H	H	L	L	H	DATA1
			Falling	H	H	L	H	H	L	H	L	L	H	H	L	
	28	NOP	Rising	H	H	H	H	H	H	H	H	H	H	H	H	-
			Falling	H	H	H	H	H	H	H	H	H	H	H	H	
	29	READ	Rising	H	H	H	H	L	L	L	L	L	H	H	H	DATA0
			Falling	H	H	L	H	H	L	H	L	H	L	H	L	
	30	NOP	Rising	H	H	H	H	H	H	H	H	H	H	H	H	-
			Falling	H	H	H	H	H	H	H	H	H	H	H	H	
	31	READ	Rising	H	H	H	L	H	H	H	H	H	L	L	H	DATA1
			Falling	H	H	L	H	H	L	H	L	L	H	H	L	
	32	NOP	Rising	H	H	H	H	H	H	H	H	H	H	H	H	-
			Falling	H	H	H	H	H	H	H	H	H	H	H	H	
	33	READA	Rising	H	H	H	L	H	H	H	L	L	H	H	H	DATA0
			Falling	H	L	H	L	L	H	H	H	L	H	L	H	
	34	NOP	Rising	H	H	H	H	H	H	H	H	H	H	H	H	-
			Falling	H	H	H	H	H	H	H	H	H	H	H	H	
	35	READ	Rising	H	H	H	H	L	L	L	H	H	L	L	H	DATA1
			Falling	H	H	L	H	H	L	H	L	L	H	H	L	
	36	ACT	Rising	H	H	H	H	H	H	H	H	H	H	H	H	-
			Falling	H	H	H	H	H	H	H	H	H	H	H	H	
	37	READ	Rising	H	H	H	H	L	L	L	L	L	H	H	H	DATA0
			Falling	H	H	L	H	H	L	H	L	H	L	H	L	
	38	NOP	Rising	H	H	H	H	H	H	H	H	H	H	H	H	-
			Falling	H	H	H	H	H	H	H	H	H	H	H	H	
	39	READ	Rising	H	H	H	H	L	L	L	H	H	L	L	H	DATA1
			Falling	H	H	L	H	H	L	H	L	L	H	H	L	
	40	ACT	Rising	H	L	H	H	H	L	L	L	L	H	H	H	-
			Falling	H	L	L	L	H	H	H	H	H	H	L	L	
	41	READ	Rising	H	H	H	H	L	L	L	L	L	H	H	H	DATA0
			Falling	H	H	L	H	H	L	H	L	H	L	H	L	
	42	NOP	Rising	H	H	H	H	H	H	H	H	H	H	H	H	-
			Falling	H	H	H	H	H	H	H	H	H	H	H	H	
	43	READ	Rising	H	H	H	H	L	L	L	H	H	L	L	H	DATA1
			Falling	H	H	L	H	H	L	H	L	L	H	H	L	
	44	NOP	Rising	H	H	H	H	H	H	H	H	H	H	H	H	-
			Falling	H	H	H	H	H	H	H	H	H	H	H	H	
	45	READ	Rising	H	H	H	H	L	L	L	L	L	H	H	H	DATA0
			Falling	H	H	L	H	H	L	H	L	H	L	H	L	

[Table 90] IDD7 Measurement-Loop Pattern

Sub-Loop	Cycle Number	Command	Clock	CA10	CA9	CA8	CA7	CA6	CA5	CA4	CA3	CA2	CA1	CA0	CABI_n	Data
	46	NOP	Rising	H	H	H	H	H	H	H	H	H	H	H	H	-
			Falling	H	H	H	H	H	H	H	H	H	H	H	H	
	47	READ	Rising	H	H	H	L	L	H	H	H	H	L	L	H	DATA1
			Falling	H	H	L	H	H	L	H	L	L	H	H	L	
	48	ACT	Rising	H	H	H	H	H	H	H	H	H	H	H	H	-
			Falling	H	H	H	H	H	H	H	H	H	H	H	H	
	49	READ	Rising	H	H	H	L	L	H	H	L	L	H	H	H	DATA0
			Falling	H	H	L	H	H	L	H	L	H	L	H	L	
	50	NOP	Rising	H	H	H	H	H	H	H	H	H	H	H	H	-
			Falling	H	H	H	H	H	H	H	H	H	H	H	H	
	51	READ	Rising	H	H	H	H	L	L	L	H	H	L	L	H	DATA1
			Falling	H	H	L	H	H	L	H	L	L	H	H	L	
	52	NOP	Rising	H	H	H	H	H	H	H	H	H	H	H	H	-
			Falling	H	H	H	H	H	H	H	H	H	H	H	H	
	53	READA	Rising	H	H	H	H	L	L	L	L	L	H	H	H	DATA0
			Falling	H	L	H	L	L	H	H	H	L	H	L	H	
	54	NOP	Rising	H	H	H	H	H	H	H	H	H	H	H	H	-
			Falling	H	H	H	H	H	H	H	H	H	H	H	H	
	55	READ	Rising	H	H	H	L	L	H	H	H	H	L	L	H	DATA1
			Falling	H	H	L	H	H	L	H	L	L	H	H	L	
	56	NOP	Rising	H	H	H	H	H	H	H	H	H	H	H	H	-
			Falling	H	H	H	H	H	H	H	H	H	H	H	H	
	57	READ	Rising	H	H	H	L	L	H	H	L	L	H	H	H	DATA0
			Falling	H	H	L	H	H	L	H	L	H	L	H	L	
	58	NOP	Rising	H	H	H	H	H	H	H	H	H	H	H	H	-
			Falling	H	H	H	H	H	H	H	H	H	H	H	H	
	59	READ	Rising	H	H	H	L	L	H	H	H	H	L	L	H	DATA1
			Falling	H	H	L	H	H	L	H	L	L	H	H	L	
	60	ACT	Rising	H	L	H	L	H	H	H	L	H	H	H	H	-
			Falling	H	L	L	L	H	H	H	H	H	H	L	L	
	61	READ	Rising	H	H	H	L	L	H	H	L	L	H	H	H	DATA0
			Falling	H	H	L	H	H	L	H	L	H	L	H	L	
	62	NOP	Rising	H	H	H	H	H	H	H	H	H	H	H	H	-
			Falling	H	H	H	H	H	H	H	H	H	H	H	H	
	63	READ	Rising	H	H	H	L	L	H	H	H	H	L	L	H	DATA1
			Falling	H	H	L	H	H	L	H	L	L	H	H	L	
	64	NOP	Rising	H	H	H	H	H	H	H	H	H	H	H	H	-
			Falling	H	H	H	H	H	H	H	H	H	H	H	H	
	65	READ	Rising	H	H	H	L	L	H	H	L	L	H	H	H	DATA0
			Falling	H	H	L	H	H	L	H	L	H	L	H	L	
	66	NOP	Rising	H	H	H	H	H	H	H	H	H	H	H	H	-
			Falling	H	H	H	H	H	H	H	H	H	H	H	H	
	67	READ	Rising	H	H	H	H	H	L	L	H	H	L	L	H	DATA1
			Falling	H	H	L	H	H	L	H	L	L	H	H	L	
	68	NOP	Rising	H	H	H	H	H	H	H	H	H	H	H	H	-
			Falling	H	H	H	H	H	H	H	H	H	H	H	H	

[Table 90] IDD7 Measurement-Loop Pattern

Sub-Loop	Cycle Number	Command	Clock	CA10	CA9	CA8	CA7	CA6	CA5	CA4	CA3	CA2	CA1	CA0	CABI_n	Data
	69	READ	Rising	H	H	H	H	H	L	L	L	L	H	H	H	DATA0
			Falling	H	H	L	H	H	L	H	L	H	L	H	L	
	70	NOP	Rising	H	H	H	H	H	H	H	H	H	H	H	H	-
			Falling	H	H	H	H	H	H	H	H	H	H	H	H	
	71	READ	Rising	H	H	H	L	L	H	H	H	H	L	L	H	DATA1
			Falling	H	H	L	H	H	L	H	L	L	H	H	L	
	72	ACT	Rising	H	H	H	H	H	H	H	H	H	H	H	H	-
			Falling	H	H	H	H	H	H	H	H	H	H	H	H	
	73	READA	Rising	H	H	H	L	L	H	H	L	L	H	H	H	DATA0
			Falling	H	L	H	L	L	H	H	H	L	H	L	H	
	74	NOP	Rising	H	H	H	H	H	H	H	H	H	H	H	H	-
			Falling	H	H	H	H	H	H	H	H	H	H	H	H	
	75	READ	Rising	H	H	H	H	H	L	L	H	H	L	L	H	DATA1
			Falling	H	H	L	H	H	L	H	L	L	H	H	L	
	76	NOP	Rising	H	H	H	H	H	H	H	H	H	H	H	H	-
			Falling	H	H	H	H	H	H	H	H	H	H	H	H	
	77	READ	Rising	H	H	H	H	H	L	L	L	L	H	H	H	DATA0
			Falling	H	H	L	H	H	L	H	L	H	L	H	L	
	78	NOP	Rising	H	H	H	H	H	H	H	H	H	H	H	H	-
			Falling	H	H	H	H	H	H	H	H	H	H	H	H	
	79	READ	Rising	H	H	H	H	H	L	L	H	H	L	L	H	DATA1
			Falling	H	H	L	H	H	L	H	L	L	H	H	L	

[Table 91] AC parameter set for IDD test

Symbol	Data rate	Unit
t_{CK}	0.57	ns
RL	24	t_{CK}
t_{RCDRD}	15	ns
t_{RCDWR}	9	ns
t_{RAS}	30	ns
t_{RP}	15	ns
t_{RC}	45	ns
t_{FAW}	16	ns
t_{RRDS}	4	ns
t_{RRDL}	4	ns
t_{RFCab}	120	ns

8.9 AC Timings

[Table 92] AC Timings @ VDD&VDDQ=1.35V + 0.0405V for 12/14/16Gbps

PARAMETER ^{1), 2)}		SYMBOL	VALUES		UNIT	NOTES
			MIN	MAX		
CK_t and WCK_t Timings						
CK clock cycle time	PLL on	t_{CK}	-	-	ns	
	PLL off		0.5	40		
CK clock HIGH-level width		t_{CH}	0.45	0.55	t_{CK}	
CK clock LOW-level width		t_{CL}	0.45	0.55	t_{CK}	
Min. CK clock half period		t_{HP}	$\min(t_{CH}, t_{CL})$	-	t_{CK}	
CK clock frequency	DDR WCK	PLL on	-	-	MHz	
		PLL off	25	-		
CK clock frequency with bank groups disabled		f_{CKBG}	$f_{CK}(\min)$	2000	MHz	3,4
CK clock frequency with bank groups enabled and $t_{CCDL} = 3 t_{CK}$		f_{CKBG3}	$f_{CK}(\min)$	2000	MHz	3
CK clock frequency with WCK2CK alignment at the balls		f_{CKPIN}	$f_{CK}(\min)$	250	MHz	5
CK clock frequency in RDQS Mode		f_{CKRDQS}	$f_{CK}(\min)$	250	MHz	5
CK clock frequency for operation with V_{REFC2}		$f_{CKVREFC2}$	$f_{CK}(\min)$	-	MHz	6
CK clock frequency for operation with V_{REFD2}		$f_{CKVREFD2}$	$f_{CK}(\min)$	-	MHz	6
CK clock frequency for WCK-to-CK auto synchronization in WCK2CK training mode		$f_{CKAUTOSYNC}$	$f_{CK}(\min)$	500	MHz	7
CK clock frequency for device operation with LP1 low power mode enabled		f_{CKLP1}	$f_{CK}(\min)$	-	MHz	8
CK clock frequency for device operation with Low Frequency Mode enabled		f_{CKLF}	$f_{CK}(\min)$	250	MHz	9
WCK clock cycle time	DDR WCK	PLL on	-	-	ns	10
		PLL off	0.125	10		
WCK clock HIGH-level width		t_{WCKH}	0.45	0.55	t_{WCK}	11
WCK clock LOW-level width		t_{WCKL}	0.45	0.55	t_{WCK}	11
Min. WCK clock half period		t_{WCKHP}	$\min(t_{WCKH}, t_{WCKL})$	-	t_{WCK}	
Command and Address Input Timings						
Command Address (CA) input setup time		t_{AS}	0.08	-	ns	12,14,51
Command Address (CA) input hold time		t_{AH}	0.08	-	ns	12,14,51
Command Address (CA) input pulse width		t_{APW}	0.2	-	ns	12,13,14,51
CKE_n input setup time		t_{CKES}	0.14	-	ns	12,51
CKE_n input hold time		t_{CKEH}	0.14	-	ns	12,51
CKE_n min. HIGH and LOW pulse width for SELF REFRESH, HIBERNATE SELF REFRESH and POWER-DOWN commands		t_{CKE}	$\max(10t_{CK}, 10)$	-	ns	12,13,51
CKE_n min. HIGH and LOW pulse width for CAT command		t_{CKEPW}	0.4	-	ns	12,13,51,53
WCK2CK Timings						
WCK stop to MRS delay for entering WCK2CK training		$t_{WCK2MRS}$	$3t_{CK} + 10\text{ns}$	-	ns	
MRS to WCK restart delay after entering WCK2CK training		$t_{MRSTWCK}$	$3t_{CK} + 10\text{ns}$	-	ns	15
WCK clock frequency for WCK2CK training with WCK stop		$f_{WCKSTOP}$	-	2000	MHz	
WCK start to WCK phase movement delay		t_{WCK2TR}	10	-	t_{CK}	
WCK phase change to phase detector out delay		t_{WCK2PH}	10	-	ns	
WCK clock HIGH-level width during WCK2CK training		t_{WCKHTR}	0.45	0.55	t_{WCK}	11,16
WCK clock LOW-level width during WCK2CK training		t_{WCKLTR}	0.45	0.55	t_{WCK}	11,16
WCK2CK offset when zero offset at phase detector or at balls	PLL on; MR7 OP0=0 (at phase detector)	$t_{WCK2CKPIN}$	-	-	ns	17
	PLL off; MR7 OP0=0 (at phase detector)		-0.2	0.2		

[Table 92] AC Timings @ VDD&VDDQ=1.35V + 0.0405V for 12/14/16Gbps

PARAMETER ^{1), 2)}			SYMBOL	VALUES		UNIT	NOTES
				MIN	MAX		
WCK2CK phase offset upon WCK2CK training exit	DDR WCK (MR7 OP4=0)	MR7 OP0=0 (at phase detector)	$t_{WCK2CKSYNC}$	-0.2	0.2	t_{CK}	18
	DDR SCK (MR7 OP4=1)	MR7 OP0=0 (at phase detector)		-0.1	0.1	t_{CK}	
WCK2CK phase offset	DDR WCK	MR7 OP0=0 (at phase detector)	t_{WCK2CK}	-0.4	0.4	t_{CK}	19
Data Input and Output Timings							
WCK to DQ/DBI_n offset for input data	PLL on	$t_{WCK2DQI}$	-	-	ns	20,50	
	PLL off		0.1	0.6			
WCK to DQ/DBI_n/EDC offset for output data	PLL on	$t_{WCK2DQO}$	-	-	ns	21,22,50	
	PLL off		0.2	0.8			
DQ/DBI_n input pulse width		t_{DIPW}	60	-	ps	23,24,51	
DQ/DBI_n data input valid window	PLL on	t_{DIVW}	50	-	ps	23,25,51	
	PLL off		50	-	ps		
DQ/DBI_n input skew		t_{DQDQI}	-100	100	ps	26,50	
DQ/DBI_n/EDC output skew		t_{DQDQO}	-125	125	ps	18,50	
Row Access Timings							
ACTIVATE to ACTIVATE command period		t_{RC}	45	-	ns		
ACTIVATE to PREab / PREpb command period		t_{RAS}	30	$9 * t_{REFI}$	ns	28	
ACTIVATE to READ command delay		t_{RCRD}	15	-	ns		
ACTIVATE to WRITE command delay		t_{RCDW}	9	-	ns		
ACTIVATE to RDTR command delay		t_{RCDTR}	$1t_{CK} + 4$	-	ns		
ACTIVATE to WRTR command delay		t_{RCWTR}	$1t_{CK} + 8$	-	ns		
ACTIVATE to LDFF command delay		t_{RCDLTR}	$1t_{CK} + 4$	-	ns		
REFab to RDTR or WRTR command delay		t_{REFTR}	$1t_{CK} + 12$	-	ns		
ACTIVATE bank A to ACTIVATE bank B command delay same bank group		t_{RRDL}	$\max(4, 2t_{CK})$	-	ns	29	
ACTIVATE bank A to ACTIVATE bank B command delay different bank groups		t_{RRDS}	$\max(4, 2t_{CK})$	-	ns	30	
Four bank ACTIVATE window		t_{FAW}	$\max(16, 8t_{CK})$	-	ns	31	
REFpb / REFp2b to ACTIVATE or REFpb / REFp2b command delay		t_{RREFD}	$\max(8, 2t_{CK})$	-	ns	32	
READ to PREab / PREpb command delay same bank with bank groups enabled		t_{RTPL}	4	-	t_{CK}	33	
READ to PREab / PREpb command delay same bank with bank groups disabled		t_{RTPS}	2	-	t_{CK}	34	
PREpb to PREab / PREpb command delay		t_{PPD}	0.57	-	ns		
PREab / PREpb command period		t_{RP}	15	-	ns		
WRITE recovery time		t_{WR}	15	-	ns		
Column Access Timings							
RD/WR bank A to RD/WR bank B command delay same bank group		t_{CCDL}	3 / 4	-	t_{CK}	29, 35	
RD/WR bank A to RD/WR bank B command delay different bank groups		t_{CCDS}	2	-	t_{CK}	30, 36	
WDM/WSM bank A to WDM/WSM/WOM bank A command delay same bank		t_{CCDMW}	2(TBD)	-	t_{CK}		
LDFF to LDFF command cycle time		t_{LTLTR}	4	-	t_{CK}		
LDFF(1111) to RDTR command delay		t_{LTRTR}	4	-	t_{CK}		
READ or RDTR to LDFF command delay		t_{RDTLT}	$CL_{mrs} + 5$	-	t_{CK}		
WRITE to LDFF command delay		t_{WRTLT}	$WL_{mrs} + 6$	-	t_{CK}		

[Table 92] AC Timings @ VDD&VDDQ=1.35V + 0.0405V for 12/14/16Gbps

PARAMETER ^{1), 2)}	SYMBOL	VALUES		UNIT	NOTES
		MIN	MAX		
WRTR to RDTR command delay	t_{WTRTR}	$WLmrs + 4$	-	t_{CK}	
WRITE to WRTR command delay	t_{WRWTR}	2	-	t_{CK}	
Internal WRITE to READ command delay same bank group	t_{WTRL}	$4t_{CK} + 4$	-	ns	29
Internal WRITE to READ command delay different bank groups	t_{WTRS}	$2t_{CK} + 4$	-	ns	30
READ or RDTR to WRITE or WRTR command delay	t_{RTW}	$CLmrs + BL/4 - WLmrs + (\text{bus turn around time})/t_{CK} + 3$	-	ns	37
Power-Down and Refresh Timings					
Self Refresh entry to exit time	t_{CKESR}	$\max(10t_{CK}, 10)$	-	ns	
Hibernate Self Refresh entry to exit time	t_{HSRF}	$\max(10t_{CK}, 10)$	-	ns	
Valid CK clocks required after SELF REFRESH ENTRY	t_{CKSRE}	10	-	t_{CK}	
Valid CK clocks required before SEF REFRESH EXIT	t_{CKSRX}	10	-	t_{CK}	
READ to SELF REFRESH ENTRY or POWER-DOWN ENTRY command delay	t_{RDSRE}	$CLmrs + CRCRL + 6$	-	t_{CK}	38
WRITE to SELF REFRESH ENTRY or POWER-DOWN ENTRY command delay	t_{WRSRE}	$WLmrs + \max(t_{DAL}/t_{CK} + 6, CRCWL + 6)$	-	t_{CK}	39
ACTIVATE to POWER-DOWN ENTRY command delay	t_{ACTPDE}	2	-	t_{CK}	
PREAb / PREpb to POWER-DOWN ENTRY command delay	t_{PREPDE}	2	-	t_{CK}	
REFAb / REFpb / REFp2b to POWER-DOWN ENTRY command delay	t_{REFPDE}	$\text{Max}(4\text{ns}/t_{CK}, 4)$	-	t_{CK}	
MRS to POWER-DOWN ENTRY command delay	t_{MRSPDE}	$t_{MOD(\text{min})}$	-	t_{CK}	
REFAb command period	t_{RFCab}	120	-	ns	
REFpb / REFp2b command period	t_{RFCpb}	60	-	ns	
SELF REFRESH EXIT to any command delay	t_{XS}	$\max(t_{RFCab}/t_{CK}, 20)$	-	t_{CK}	40,54
CKE_n LOW pulse width to exit from Hibernate Self Refresh mode	t_{XHP}	10	-	ns	
Exit Hibernate Self Refresh to SELF REFRESH EXIT command delay	t_{XSH}	500	-	μs	
REFAb / REFpb / REFp2b period	t_{REF}	-	32	ms	
Average periodic refresh interval with REFAb command	t_{REFI}	-	1.9	μs	41
Average periodic refresh interval with REFpb / REFp2b command	t_{REFIPB}	-	$t_{REFI}/16$ or $t_{REFI}/8$	us	
REFAb to REFAb command period required for impedance calibration updates	t_{ABREF}	1	-	ms	42
Power-down entry to exit time	t_{PD}	$\max(10t_{CK}, 10)$	$9 \cdot t_{REFI}$	ns	
NOP commands required upon POWER-DOWN and SELF REFRESH ENTRY	t_{CPDED}	10	-	t_{CK}	52
POWER-DOWN exit time	t_{XP}	12	-	t_{CK}	54
Hibernate self refresh entry to V _{DDQ} power-off ramp delay	t_{VOFF}	100	-	ns	
Minimum V _{DDQ} off duration in hibernate mode	t_{VON}	1	-	ms	
V _{DDQ} stable to CKE_n stable HIGH delay	t_{CTEN}	-	1	ms	
V _{DDQ} stable to exit from hibernate mode delay	t_{HEX}	2	-	ms	
Miscellaneous Timings					
MODE REGISTER SET command period	t_{MRD}	$\max(10t_{CK}, 10)$	-	t_{CK}	43
MODE REGISTER SET command update delay	t_{MOD}	$\max(10t_{CK}, 10)$	-	t_{CK}	43
PLL/DLL enable to PLL/DLL lock delay	t_{LK}	-	-	t_{CK}	
PLL/DLL enable to PLL/DLL lock delay with PLL Fast Lock (MR7 OP1) enabled	t_{FLK}	-	-	t_{CK}	44
Required time for duty cycle corrector (DCC)	t_{DCC}	-	-	t_{CK}/ns	45
DVS voltage stabilization time	t_{VS}	-	-	μs	

[Table 92] AC Timings @ VDD&VDDQ=1.35V + 0.0405V for 12/14/16Gbps

PARAMETER ^{1), 2)}	SYMBOL	VALUES		UNIT	NOTES
		MIN	MAX		
REFab to calibration update complete delay	t _{KO}	-	1tCK + 12ns	ns	
V _{REFC} to V _{REFC2} reference voltage settling time	t _{VREFC2}	-	-	ns	46
V _{REFC} reference voltage level change settling time	t _{VREFC}	-	-	ns	47
V _{REFD} reference voltage level change settling time	t _{VREFD}	-	-	ns	48
V _{REFD} to V _{REFD2} reference voltage settling time	t _{VREFD2}	-	-	ns	49
CA[6:0] and EDC setup time before RESET_n de-assertion	t _{ATS}	10	-	ns	
CA[6:0] and EDC hold time after RESET_n de-assertion	t _{ATH}	10	-	ns	
CAT command to data out delay	t _{ADR}	-	2tCK + 10ns	ns	
CADT off to DQ/DBI_n in ODT state delay	t _{ADZ}	-	1tCK + 10ns	ns	
Vendor ID on	t _{WRIDON}	-	1tCK + 10ns	ns	
Vendor ID off	t _{WRIDOFF}	-	1tCK + 10ns	ns	

[Table 93] AC Timings @ VDD&VDDQ=1.25V + 0.0375V for 10/12/14Gbps

PARAMETER ^{1), 2)}	SYMBOL	VALUES		UNIT	NOTES	
		MIN	MAX			
CK_t and WCK_t Timings						
CK clock cycle time	PLL on	t _{CK}	-	-	ns	
	PLL off		0.57	40		
CK clock HIGH-level width		t _{CH}	0.45	0.55	t _{CK}	
CK clock LOW-level width		t _{CL}	0.45	0.55	t _{CK}	
Min. CK clock half period		t _{HP}	min(t _{CH} , t _{CL})	-	t _{CK}	
CK clock frequency	DDR WCK	f _{CK}	PLL on	-	MHz	
			PLL off	25		
CK clock frequency with bank groups disabled		f _{CKBG}	f _{CK} (min)	1750	MHz	3,4
CK clock frequency with bank groups enabled and t _{CCDL} = 3 t _{CK}		f _{CKBG3}	f _{CK} (min)	1750	MHz	3
CK clock frequency with WCK2CK alignment at the balls		f _{CKPIN}	f _{CK} (min)	250	MHz	5
CK clock frequency in RDQS Mode		f _{CKRDQS}	f _{CK} (min)	250	MHz	5
CK clock frequency for operation with V _{REFC2}		f _{CKVREFC2}	f _{CK} (min)	-	MHz	6
CK clock frequency for operation with V _{REFD2}		f _{CKVREFD2}	f _{CK} (min)	-	MHz	6
CK clock frequency for WCK-to-CK auto synchronization in WCK2CK training mode		f _{CKAUTOSYNC}	f _{CK} (min)	500	MHz	7
CK clock frequency for device operation with LP1 low power mode enabled		f _{CKLP1}	f _{CK} (min)	-	MHz	8
CK clock frequency for device operation with Low Frequency Mode enabled		f _{CKLF}	f _{CK} (min)	250	MHz	9
WCK clock cycle time	DDR WCK	t _{WCK}	PLL on	-	ns	10
			PLL off	0.1425		
WCK clock HIGH-level width		t _{WCKH}	0.45	0.55	t _{WCK}	11
WCK clock LOW-level width		t _{WCKL}	0.45	0.55	t _{WCK}	11
Min. WCK clock half period		t _{WCKHP}	min(t _{WCKH} , t _{WCKL})	-	t _{WCK}	
Command and Address Input Timings						
Command Address (CA) input setup time		t _{AS}	0.1	-	ns	12,14,51
Command Address (CA) input hold time		t _{AH}	0.1	-	ns	12,14,51
Command Address (CA) input pulse width		t _{APW}	0.25	-	ns	12,13,14,51
CKE_n input setup time		t _{CKES}	0.14	-	ns	12,51
CKE_n input hold time		t _{CKEH}	0.14	-	ns	12,51

[Table 93] AC Timings @ VDD&VDDQ=1.25V + 0.0375V for 10/12/14Gbps

PARAMETER ^{1), 2)}	SYMBOL	VALUES		UNIT	NOTES		
		MIN	MAX				
CKE_n min. HIGH and LOW pulse width for SELF REFRESH, HIBERNATE SELF REFRESH and POWER-DOWN commands	t_{CKE}	$\max(10t_{CK}, 10)$	-	ns	12,13,51		
CKE_n min. HIGH and LOW pulse width for CAT command	t_{CKEPW}	0.4	-	ns	12,13,51,53		
WCK2CK Timings							
WCK stop to MRS delay for entering WCK2CK training	$t_{WCK2MRS}$	$3t_{CK} + 11\text{ns}$	-	ns			
MRS to WCK restart delay after entering WCK2CK training	$t_{MRSTWCK}$	$3t_{CK} + 11\text{ns}$	-	ns	15		
WCK clock frequency for WCK2CK training with WCK stop	$f_{WCKSTOP}$	-	2000	MHz			
WCK start to WCK phase movement delay	t_{WCK2TR}	10	-	t_{CK}			
WCK phase change to phase detector out delay	t_{WCK2PH}	11	-	ns			
WCK clock HIGH-level width during WCK2CK training	t_{WCKHTR}	0.45	0.55	t_{WCK}	11,16		
WCK clock LOW-level width during WCK2CK training	t_{WCKLTR}	0.45	0.55	t_{WCK}	11,16		
WCK2CK offset when zero offset at phase detector or at balls	$t_{WCK2CKPIN}$	PLL on; MR7 OP0=0 (at phase detector)	-	-	ns	17	
		PLL off; MR7 OP0=0 (at phase detector)	-0.2	0.2			
WCK2CK phase offset upon WCK2CK training exit	$t_{WCK2CKSYNC}$	DDR WCK (MR7 OP4=0) MR7 OP0=0 (at phase detector)	-0.2	0.2	t_{CK}	18	
		DDR SCK (MR7 OP4=1) MR7 OP0=0 (at phase detector)	-0.1	0.1	t_{CK}		
WCK2CK phase offset	DDR WCK	MR7 OP0=0 (at phase detector)	t_{WCK2CK}	-0.4	0.4	t_{CK}	19
Data Input and Output Timings							
WCK to DQ/DBI_n offset for input data	$t_{WCK2DQI}$	PLL on	-	-	ns	20,50	
		PLL off	0.1	0.6			
WCK to DQ/DBI_n/EDC offset for output data	$t_{WCK2DQO}$	PLL on	-	-	ns	21,22,50	
		PLL off	0.2	0.8			
DQ/DBI_n input pulse width	t_{DIPW}	68	-	ps	23,24,51		
DQ/DBI_n data input valid window	t_{DIVW}	PLL on	60	-	ps	23,25,51	
		PLL off	60	-	ps		
DQ/DBI_n input skew	t_{DQDQI}	-100	100	ps	26,50		
DQ/DBI_n/EDC output skew	t_{DQDQO}	-125	125	ps	18,50		
Row Access Timings							
ACTIVATE to ACTIVATE command period	t_{RC}	51	-	ns			
ACTIVATE to PREab / PREpb command period	t_{RAS}	34	$9 * t_{REFI}$	ns	28		
ACTIVATE to READ command delay	t_{RCDRD}	17	-	ns			
ACTIVATE to WRITE command delay	t_{RCDWR}	11	-	ns			
ACTIVATE to RDTR command delay	t_{RCDRTR}	$1t_{CK} + 5$	-	ns			
ACTIVATE to WRTR command delay	t_{RCDWTR}	$1t_{CK} + 9$	-	ns			
ACTIVATE to LDFD command delay	t_{RCDLTR}	$1t_{CK} + 5$	-	ns			
REFab to RDTR or WRTR command delay	t_{REFTR}	$1t_{CK} + 12$	-	ns			
ACTIVATE bank A to ACTIVATE bank B command delay same bank group	t_{RRDL}	$\max(6, 2t_{CK})$	-	ns	29		
ACTIVATE bank A to ACTIVATE bank B command delay different bank groups	t_{RRDS}	$\max(6, 2t_{CK})$	-	ns	30		
Four bank ACTIVATE window	t_{FAW}	$\max(24, 8t_{CK})$	-	ns	31		
REFpb / REFp2b to ACTIVATE or REFpb / REFp2b command delay	t_{RREFD}	$\max(12, 2t_{CK})$	-	ns	32		

[Table 93] AC Timings @ VDD&VDDQ=1.25V + 0.0375V for 10/12/14Gbps

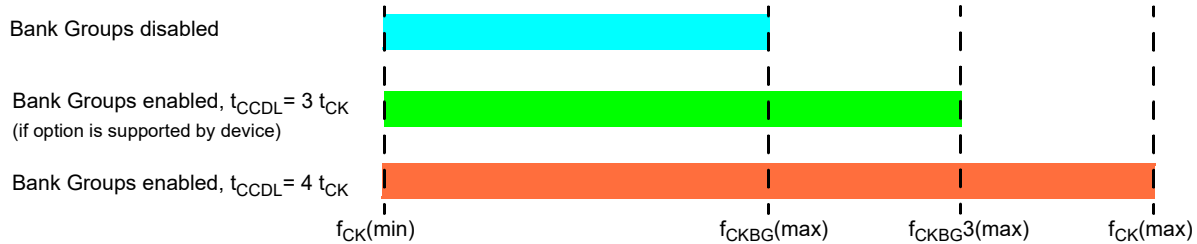
PARAMETER ^{1), 2)}	SYMBOL	VALUES		UNIT	NOTES
		MIN	MAX		
READ to PREab / PREpb command delay same bank with bank groups enabled	t_{RTPL}	4	-	t_{CK}	33
READ to PREab / PREpb command delay same bank with bank groups disabled	t_{RTPS}	2	-	t_{CK}	34
PREpb to PREab / PREpb command delay	t_{PPD}	0.83	-	ns	
PREab / PREpb command period	t_{RP}	17	-	ns	
WRITE recovery time	t_{WR}	17	-	ns	
Column Access Timings					
RD/WR bank A to RD/WR bank B command delay same bank group	t_{CCDL}	3 / 4	-	t_{CK}	29, 35
RD/WR bank A to RD/WR bank B command delay different bank groups	t_{CCDS}	2	-	t_{CK}	30, 36
WDM/WSM bank A to WDM/WSM/WOM bank A command delay same bank	t_{CCDMW}	2(TBD)	-	t_{CK}	
LDFE to LDFE command cycle time	t_{LTLTR}	4	-	t_{CK}	
LDFE(1111) to RDTR command delay	t_{LTRTR}	4	-	t_{CK}	
READ or RDTR to LDFE command delay	t_{RDTLT}	CLmrs + 5	-	t_{CK}	
WRITE to LDFE command delay	t_{WRTLt}	WLmrs + 6	-	t_{CK}	
WRTR to RDTR command delay	t_{WTRTR}	WLmrs + 4	-	t_{CK}	
WRITE to WRTR command delay	t_{WRWTR}	2	-	t_{CK}	
Internal WRITE to READ command delay same bank group	t_{WTRL}	4tCK + 4	-	ns	29
Internal WRITE to READ command delay different bank groups	t_{WTRS}	2tCK + 4	-	ns	30
READ or RDTR to WRITE or WRTR command delay	t_{RTW}	CLmrs + BL/4 - WLmrs + (bus turn around time)/tCK + 3	-	ns	37
Power-Down and Refresh Timings					
Self Refresh entry to exit time	t_{CKESR}	max(10tCK, 10)	-	ns	
Hibernate Self Refresh entry to exit time	t_{HSRF}	max(10tCK, 10)	-	ns	
Valid CK clocks required after SELF REFRESH ENTRY	t_{CKSRE}	10	-	t_{CK}	
Valid CK clocks required before SEF REFRESH EXIT	t_{CKSRX}	10	-	t_{CK}	
READ to SELF REFRESH ENTRY or POWER-DOWN ENTRY command delay	t_{RDSRE}	CLmrs + CRCRL + 6	-	t_{CK}	38
WRITE to SELF REFRESH ENTRY or POWER-DOWN ENTRY command delay	t_{WRSRE}	WLmrs + max(tDAL/tCK + 6, CRCWL + 6)	-	t_{CK}	39
ACTIVATE to POWER-DOWN ENTRY command delay	t_{ACTPDE}	2	-	t_{CK}	
PREab / PREpb to POWER-DOWN ENTRY command delay	t_{PREPDE}	2	-	t_{CK}	
REFab / REFpb / REFp2b to POWER-DOWN ENTRY command delay	t_{REFPDE}	Max(4ns/tCK, 4)	-	t_{CK}	
MRS to POWER-DOWN ENTRY command delay	t_{MRSPDE}	$t_{MOD(min)}$	-	t_{CK}	
REFab command period	t_{RFCab}	120	-	ns	
REFpb / REFp2b command period	t_{RFCpb}	60	-	ns	
SELF REFRESH EXIT to any command delay	t_{XS}	max(tRFCab/tCK, 20)	-	t_{CK}	40, 54
CKE_n LOW pulse width to exit from Hibernate Self Refresh mode	t_{XHP}	12	-	ns	
Exit Hibernate Self Refresh to SELF REFRESH EXIT command delay	t_{XSH}	500	-	μ s	
REFab / REFpb / REFp2b period	t_{REF}	-	32	ms	
Average periodic refresh interval with REFab command	t_{REFI}	-	1.9	μ s	41
Average periodic refresh interval with REFpb / REFp2b command	t_{REFIPB}	-	$t_{REFI} / 16$ or $t_{REFI} / 8$	us	

[Table 93] AC Timings @ VDD&VDDQ=1.25V + 0.0375V for 10/12/14Gbps

PARAMETER ^{1), 2)}	SYMBOL	VALUES		UNIT	NOTES
		MIN	MAX		
REFab to REFab command period required for impedance calibration updates	t_{ABREF}	1	-	ms	42
Power-down entry to exit time	t_{PD}	$\max(10t_{CK}, 10)$	$9 \cdot t_{REFI}$	ns	
NOP commands required upon POWER-DOWN and SELF REFRESH ENTRY	t_{CPDED}	10	-	t_{CK}	52
POWER-DOWN exit time	t_{XP}	12	-	t_{CK}	54
Hibernate self refresh entry to V _{DDQ} power-off ramp delay	t_{VOFF}	100	-	ns	
Minimum V _{DDQ} off duration in hibernate mode	t_{VON}	1	-	ms	
V _{DDQ} stable to CKE_n stable HIGH delay	t_{CTEN}	-	1	ms	
V _{DDQ} stable to exit from hibernate mode delay	t_{HEX}	2	-	ms	
Miscellaneous Timings					
MODE REGISTER SET command period	t_{MRD}	$\max(10t_{CK}, 10)$	-	t_{CK}	43
MODE REGISTER SET command update delay	t_{MOD}	$\max(10t_{CK}, 10)$	-	t_{CK}	43
PLL/DLL enable to PLL/DLL lock delay	t_{LK}	-	-	t_{CK}	
PLL/DLL enable to PLL/DLL lock delay with PLL Fast Lock (MR7 OP1) enabled	t_{FLK}	-	-	t_{CK}	44
Required time for duty cycle corrector (DCC)	t_{DCC}	-	-	t_{CK}/ns	45
DVS voltage stabilization time	t_{VS}	-	-	μs	
REFab to calibration update complete delay	t_{KO}	-	$1t_{CK} + 12ns$	ns	
V _{REFC} to V _{REFC2} reference voltage settling time	t_{VREFC2}	-	-	ns	46
V _{REFC} reference voltage level change settling time	t_{VREFC}	-	-	ns	47
V _{REFD} reference voltage level change settling time	t_{VREFD}	-	-	ns	48
V _{REFD} to V _{REFD2} reference voltage settling time	t_{VREFD2}	-	-	ns	49
CA[6:0] and EDC setup time before RESET_n de-assertion	t_{ATS}	12	-	ns	
CA[6:0] and EDC hold time after RESET_n de-assertion	t_{ATH}	12	-	ns	
CAT command to data out delay	t_{ADR}	-	$2t_{CK} + 12ns$	ns	
CADT off to DQ/DBI_n in ODT state delay	t_{ADZ}	-	$1t_{CK} + 12ns$	ns	
Vendor ID on	t_{WRIDON}	-	$1t_{CK} + 12ns$	ns	
Vendor ID off	$t_{WRIDOFF}$	-	$1t_{CK} + 12ns$	ns	

NOTE :

- 1) All parameters assume proper device initialization.
- 2) Tests for AC timing may be conducted at nominal supply voltage levels, but the related specifications and device operation are guaranteed for the full voltage and temperature range specified.
- 3) Parameter f_{CKBG3} is required for those devices supporting both $3 * t_{CK}$ and $4 * t_{CK}$ settings for bank groups. Devices supporting only $3 * t_{CK}$ or $4 * t_{CK}$ need only to specify f_{CKBG} .
- 4) Bank Group Frequency ranges.



- 5) Parameter $f_{CKVREFC2}$ applies when the CA input reference voltage in MR7, OP6 (Half VREFC) is set to VREFC2.
- 6) Parameter $f_{CKVREFD2}$ applies when the data input reference voltage in MR7, OP7 (Half VREFD) is set to VREFD2.
- 7) Parameter $f_{CKAUTOSYNC}$ applies when WCK2CK Auto Synchronization is enabled in MR7, OP4.
- 8) Parameter f_{CKLP1} applies when Low Power Mode LP1 is enabled in MR5, OP0. LP1 is optional.
- 9) Parameter f_{CKLF} applies when Low Frequency Mode is enabled in MR7, OP3.
- 10) By definition the nominal WCK clock cycle time always is 1/2 or 1/4 of the CK clock cycle time depending on the selected WCK Ratio (not including jitter).
- 11) The phase relationship between WCK_t/WCK_c and CK_t/CK_c clocks must meet the t_{WCK2CK} specification.
- 12) CA and CKE_n input timings are referenced to V_{REFC} .
- 13) CA and CKE_n input pulse widths are design targets. The values will be characterized but not tested on each device.
- 14) CA input timings are only valid with CABI_n being enabled and a maximum of 5 CA inputs driven LOW in 2 channel mode or 7 CA inputs driven LOW in PC mode.
- 15) Parameter may be specified as a combination of t_{CK} and ns.
- 16) Parameters t_{WCKHTR} and t_{WCKLTR} specify the max. allowed WCK clock-to-clock phase shift during WCK2CK training. For READ and WRITE bursts use t_{WCKH} and t_{WCKL} .
- 17) Parameter $t_{WCK2CKPIN}$ defines the WCK2CK phase offset range at the CK and WCK balls for ideal (phase = 0°) clock alignment at the device's phase detector. The minimum and maximum values could be negative or positive numbers, depending on the selected WCK2CK alignment point, PLL-on or PLL-off mode and design implementation.
- 18) Parameter $t_{WCK2CKSYNC}$ defines the max. phase offset from the ideal (phase = 0°) clock alignment at the device's phase detector, where the internal logic synchronizes the CK and WCK clocks; it is expected to be a fraction of t_{WCK2CK} .
- 19) Parameter t_{WCK2CK} defines the max. phase offset from the ideal (phase = 0°) clock alignment at the device's phase detector.
- 20) Parameter $t_{WCK2DQI}$ defines the WCK to DQ/DBI_n time delay range for WRITES for PLL-on and PLL-off mode. The minimum and maximum values could be negative or positive numbers, depending on design implementation and PLL-on or PLL-off mode. They also vary across PVT. Data training is required to determine the actual $t_{WCK2DQI}$ value for reliable WRITE operation.
- 21) Parameter $t_{WCK2DQO}$ defines the WCK to DQ/DBI_n/EDC time delay range for READs for PLL-on and PLL-off mode. The minimum and maximum values could be negative or positive numbers, depending on design implementation and PLL-on or PLL-off mode. They also vary across PVT. Data training is required to determine the actual $t_{WCK2DQO}$ value for reliable READ operation.
- 22) Outputs measured with equivalent load (vendor specific) terminated to V_{DDQ} .
- 23) DQ/DBI_n input timings are valid only with DBI being enabled and a maximum of 4 data inputs per byte driven LOW.
- 24) The data input pulse width, t_{DIPW} , defines the minimum positive or negative input pulse width for any one worst-case channel required for proper propagation of an external signal to the receiver. t_{DIPW} is independent of the PLL/DLL mode. In general t_{DIPW} is larger than t_{DIVW} .
- 25) The data input valid window, t_{DIVW} , defines the time region where input data must be valid for reliable data capture at the receiver for any one worst case channel. It accounts for jitter between data and clock at the latching point introduced in the path between the DRAM pads and the latching point. Any additional jitter introduced into the source signals (e.g., within the system before the DRAM pad) must be accounted for in the final timing budget together with the chosen PLL/DLL mode and bandwidth. t_{DIVW} is defined for PLL/DLL off and on mode separately. In the case of PLL/DLL on, t_{DIVW} must be specified for each supported bandwidth. In general t_{DIVW} is smaller than t_{DIPW} .
- 26) t_{DQDQI} defines the maximum skew among all DQ/DBI_n inputs of a byte under worst case conditions. Parameter $t_{WCK2DQI}$ defines the mean value of the earliest and latest DQ/DBI_n pin, $t_{DQDQI}(\min)$ the negative offset to $t_{WCK2DQI}$ for the earliest DQ/DBI_n pin and $t_{DQDQI}(\max)$ the positive offset to $t_{WCK2DQI}$ for the latest DQ/DBI_n pin.
- 27) t_{DQDQO} defines the maximum skew among all DQ/DBI_n/EDC outputs of a byte under worst case conditions. Parameter $t_{WCK2DQO}$ defines the mean value of the earliest and latest DQ/DBI_n/EDC pin, $t_{DQDQO}(\min)$ the negative offset to $t_{WCK2DQO}$ for the earliest DQ/DBI_n/EDC pin and $t_{DQDQO}(\max)$ the positive offset to $t_{WCK2DQO}$ for the latest DQ/DBI_n/EDC pin.
- 28) For READs and WRITEs with AUTO PRECHARGE enabled the device will hold off the internal PRECHARGE until $t_{RAS}(\min)$ has been satisfied.
- 29) Parameter applies when bank groups are enabled and consecutive commands access the same bank group.
- 30) Parameter applies when bank groups are disabled or consecutive commands access different bank groups.
- 31) Not more than 4 ACTIVATE commands are allowed within period.
- 32) Parameter applies between any two REFpb / REFp2b commands and between a REFpb / REFp2b command and a subsequent ACTIVATE command to a different bank.
- 33) Parameter applies when bank groups are enabled and READ and PRECHARGE commands access the same bank.
- 34) Parameter applies when bank groups are disabled or READ and PRECHARGE commands access the same bank.
- 35) t_{CCDL} is either for gapless consecutive READ or gapless consecutive WRITE commands.
- 36) t_{CCDS} is either for gapless consecutive READ or RDTR (any combination), gapless consecutive WRITE, or gapless consecutive WRTR commands.
- 37) t_{RTW} is not a device limit but determined by the system bus turnaround time. The difference between $t_{WCK2DQO}$ and $t_{WCK2DQI}$ shall be considered in the calculation of the bus turnaround time.
- 38) Read data including CRC data must have been clocked out before entering self refresh or power-down mode.
- 39) Write data must have been written to the memory core, and CRC data must have been clocked out before entering self refresh or power-down mode.
- 40) Time for WCK2CK training and data training not included.
- 41) A maximum of 8 consecutive REFab commands can be posted to a device, meaning that the maximum absolute interval between any REFab command and the next REFab command is $9 * t_{REFI}$.
- 42) t_{ABREF} is relevant only when refresh is normally performed using the REFpb / REFp2b command. REFab commands must be issued at a minimum rate of t_{ABREF} to allow impedance updates from the auto-calibration engine to occur.
- 43) t_{MRD} is less than or equal to t_{MOD} . See MODE REGISTER SET command section for more details on t_{MOD} and t_{MRD} .
- 44) Replaces parameter t_{LK} when PLL Fast Lock has been enabled prior to the PLL/DLL enable or reset.
- 45) The parameter may be specified in t_{CK} or ns (vendor specific)
- 46) The parameter applies when the CA reference voltage selection in MR7, OP6 (Half VREFC) has changed.
- 47) The parameter applies when the V_{REFC} level has been changed in MR10. t_{VREFC} is a constant value for the device, and is referenced from the MRS command to when the 90% level of the delta between old and new V_{REFC} voltage has been reached.

- 48) The parameter applies when the V_{REFD} level has been changed in MR6 or MR9. t_{VREFD} is a constant value for the device, and is referenced from the MRS command to when the 90% level of the delta between old and new V_{REFD} voltage has been reached.
- 49) The parameter applies when the data reference voltage selection in MR7, OP7 (Half V_{REFD}) has changed.
- 50) The parameter applies to WCK per byte or WCK per word depending on device implementation.
- 51) This parameter is for DRAM design only and valid on the silicon die at the input of the receiver. It is not intended to be measured.
- 52) After issuing PDE or SRE command, NOP (1) commands and $CABI_n = HIGH$ (if CABI is enabled) are required for a minimum of t_{CPDED} after POWER-DOWN or SELF REFRESH entry.
- 53) The scope of t_{CKEPW} is limited to CAT commands in Command Address Training. Refer to parameters t_{PD} and t_{XP} for the minimum CKE_n pin HIGH and LOW pulse width states in conjunction with power-down, and parameters t_{CKESR} , t_{XS} , t_{HSRF} , t_{XHP} and t_{XSH} for the minimum CKE_n pin HIGH and LOW pulse width states in conjunction with self refresh and hibernate self refresh.
- 54) After issuing PDX or SRX command, NOP (1) commands and $CABI_n = HIGH$ (if CABI is enabled) are required for a minimum of t_{XP} after POWER-DOWN EXIT or t_{XS} after SELF REFRESH EXIT.

8.10 CLOCK-TO-DATA Timing Sensitivity

The availability of clock-to-data (WCK2DQ) timing sensitivity information provides the controller the opportunity to anticipate the impact to timings from variations in environmental conditions (such as changes in voltage or temperature) allowing the controller to take corrective action if necessary (e.g., realigning WCK and DQ).

Variations in relative timing between WCK and data are reported for READ and WRITE paths. The reported values are characterized but not tested in production.

[Table 94] WCK-to-Data-In Timing Sensitivity

PARAMETER		SYMBOL	VALUES	UNIT	NOTES
WCK2DQI Sensitivity to variations in V_{DDQ}	PLL on	$t_{I2VQSens}$		ps/V	1, 2
	PLL off		70		
WCK2DQI Sensitivity to variations in V_{DD}	PLL on	$t_{I2VSens}$		ps/V	3, 4
	PLL off		50		
WCK2DQI Sensitivity to variations in T_{case}	PLL on	$t_{I2TSens}$		ps/°C	5, 6
	PLL off		0.2		

NOTE :

- $t_{I2VQSens} = ((t_{WCK2DQI}(V_{DDQ}(max)) - t_{WCK2DQI}(V_{DDQ}(min))) / (V_{DDQ}(max) - V_{DDQ}(min)))$.
- $V_{DD}(typ)$, $T_{case} = 85$ °C, worst-case process corner.
- $t_{I2VSens} = ((t_{WCK2DQI}(V_{DD}(max)) - t_{WCK2DQI}(V_{DD}(min))) / (V_{DD}(max) - V_{DD}(min)))$.
- $V_{DDQ}(typ)$, $T_{case} = 85$ °C, worst-case process corner.
- $t_{I2TSens} = ((t_{WCK2DQI}(T_{case}(max)) - t_{WCK2DQI}(T_{case}(min))) / (T_{case}(max) - T_{case}(min)))$.
- $V_{DDQ}(typ)$, $V_{DD}(typ)$, worst-case process corner.

[Table 95] WCK-to-Data-Out Timing Sensitivity

PARAMETER		SYMBOL	VALUES	UNIT	NOTES
WCK2DQO Sensitivity to variations in V_{DDQ}	PLL on	$t_{O2VQSens}$		ps/V	1, 2
	PLL off		150		
WCK2DQO Sensitivity to variations in V_{DD}	PLL on	$t_{O2VSens}$		ps/V	3, 4
	PLL off		50		
WCK2DQO Sensitivity to variations in T_{case}	PLL on	$t_{O2TSens}$		ps/°C	5, 6
	PLL off		0.3		

NOTE :

- $t_{O2VQSens} = ((t_{WCK2DQO}(V_{DDQ}(max)) - t_{WCK2DQO}(V_{DDQ}(min))) / (V_{DDQ}(max) - V_{DDQ}(min)))$.
- $V_{DD}(typ)$, $T_{case} = 85$ °C, worst-case process corner.
- $t_{O2VSens} = ((t_{WCK2DQO}(V_{DD}(max)) - t_{WCK2DQO}(V_{DD}(min))) / (V_{DD}(max) - V_{DD}(min)))$.
- $V_{DDQ}(typ)$, $T_{case} = 85$ °C, worst-case process corner.
- $t_{O2TSens} = ((t_{WCK2DQO}(T_{case}(max)) - t_{WCK2DQO}(T_{case}(min))) / (T_{case}(max) - T_{case}(min)))$.
- $V_{DDQ}(typ)$, $V_{DD}(typ)$, worst-case process corner.

8.11 1.35V I/O Driver Models

The Driver and Termination impedances are derived from the following test conditions under worst case process corners:

1. Nominal 1.35V (V_{DD}/V_{DDQ})
2. Power the DRAM device and calibrate the output drivers and termination to eliminate process variation at 25 °C.
3. Reduce temperature to 10 °C and recalibrate.
4. Reduce temperature to 0 °C and take the fast corner measurement.
5. Raise temperature to 75 °C and recalibrate
6. Raise temperature to 85 °C and take the slow corner measurement
7. Reiterate 2 to 6 with V_{DD}/V_{DDQ} 1.3095V
8. Reiterate 2 to 6 with V_{DD}/V_{DDQ} 1.3905V
9. All obtained Driver and Termination IV characteristics have to be bounded by the specified MIN and MAX IV characteristics

The following values (Ideal with +/- 10% min/max) are targets for the designer and are not required to be met. Vendor datasheets should be consulted for further details. It is expected that the characteristics of the real curves will have some nonlinearity as shown in Figure 97 and Figure 98. This may help to reduce the overall capacitance and boost performance. It is up to the designer to find the optimum combination of linearity and capacitance for best Rx and Tx performance.

[Table 96] 1.35V I/O Impedances

Pull-Down Characteristic at 40 ohms			
Voltage (V)	MIN(mA)	Ideal(mA)	MAX(mA)
0.1	2.25	2.50	2.75
0.2	4.50	5.00	5.50
0.3	6.75	7.50	8.25
0.4	9.00	10.00	11.00
0.5	11.25	12.50	13.75
0.6	13.50	15.00	16.50
0.7	15.75	17.50	19.25
0.8	18.00	20.00	22.00
0.9	20.25	22.50	24.75
1.0	22.50	25.00	27.50
1.1	24.75	27.50	30.25
1.2	27.00	30.00	33.00
1.3	29.25	32.50	35.75
1.35	31.15	33.75	37.12

Pull-Up/Termination Characteristic at 60 ohms			
Voltage (V)	MIN(mA)	Ideal(mA)	MAX(mA)
0.1	-1.50	-1.67	-1.83
0.2	-3.00	-3.33	-3.67
0.3	-4.50	-5.00	-5.50
0.4	-6.00	-6.67	-7.33
0.5	-7.50	-8.33	-9.17
0.6	-9.00	-10.00	-11.00
0.7	-10.50	-11.67	-12.83
0.8	-12.00	-13.33	-14.67
0.9	-13.50	-15.00	-16.50
1.0	-15.00	-16.67	-18.33
1.1	-16.50	-18.33	-20.17
1.2	-18.00	-20.00	-22.00
1.3	-19.50	-21.67	-23.83
1.35	-20.25	-22.50	-24.75

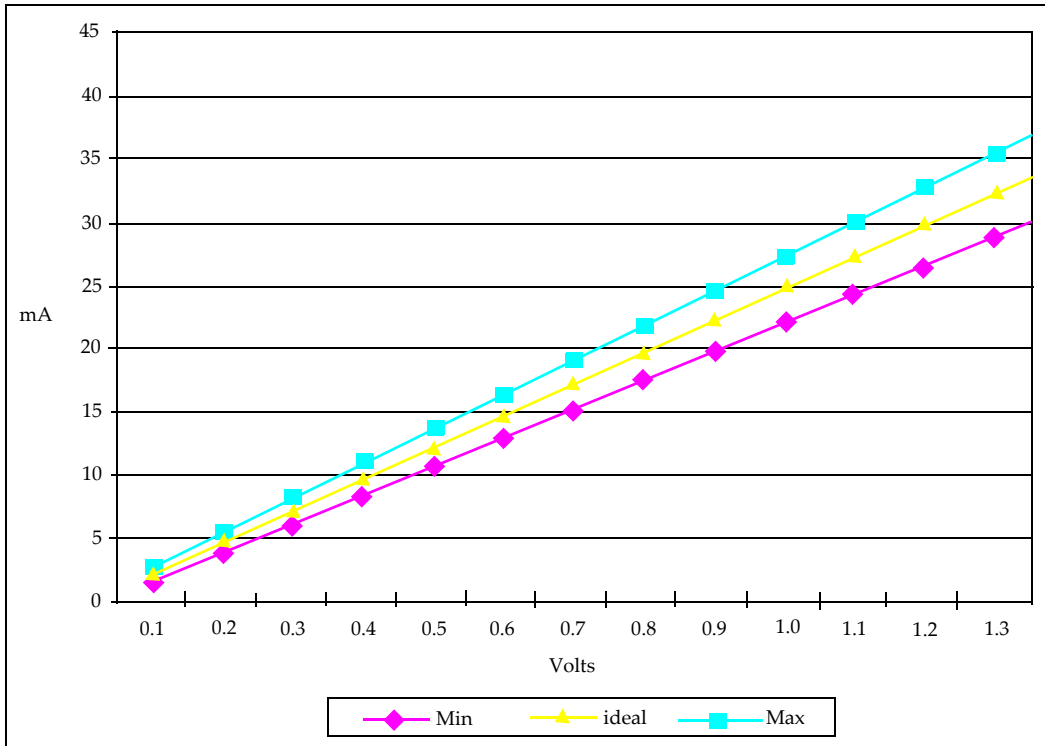


Figure 95. Target Pull Down Characteristic at 40 ohms

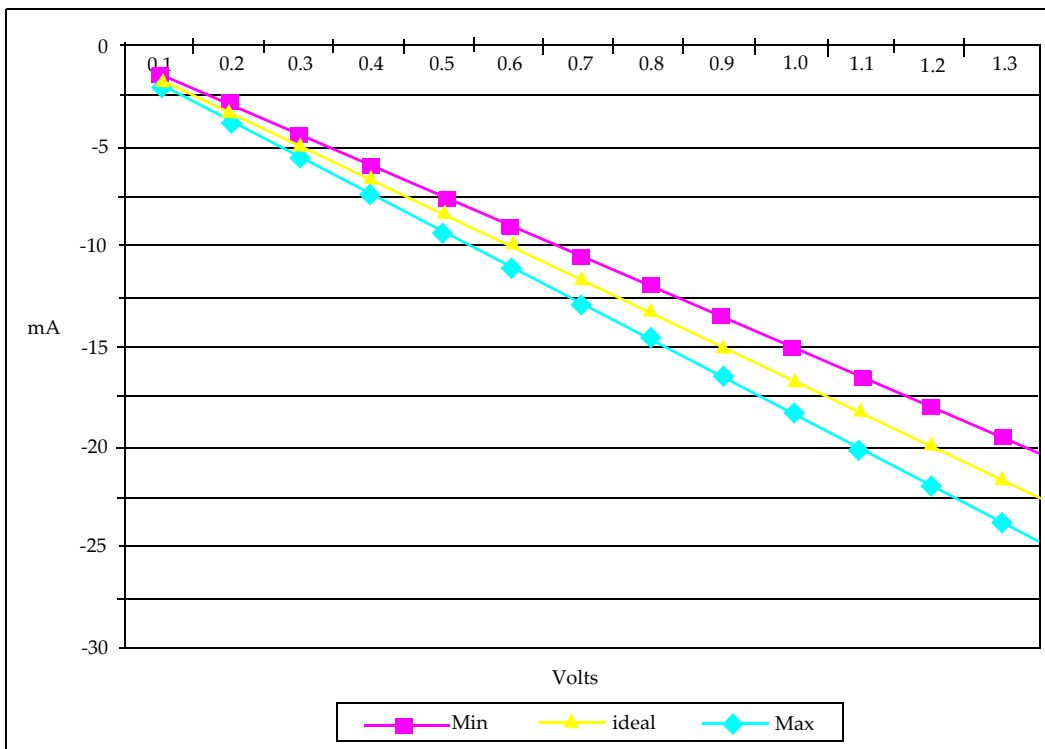


Figure 96. Target Pull Up/Termination Characteristic at 60 ohms

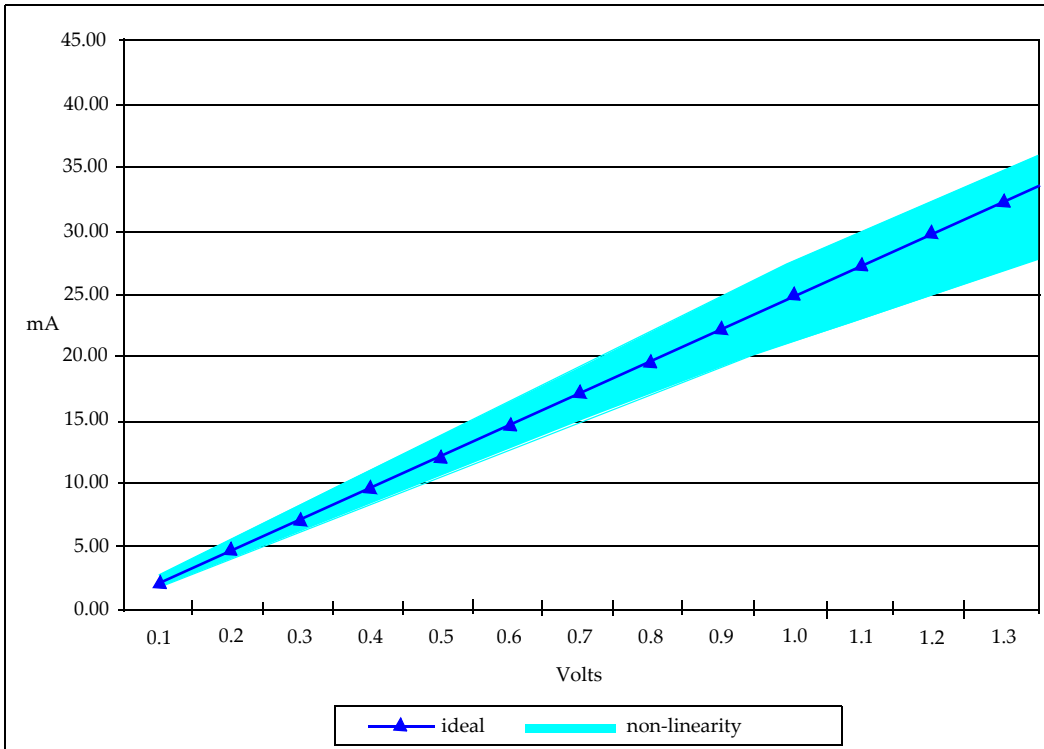


Figure 97. Example of Non Linearity, Pull Down Characteristic at 40 ohms

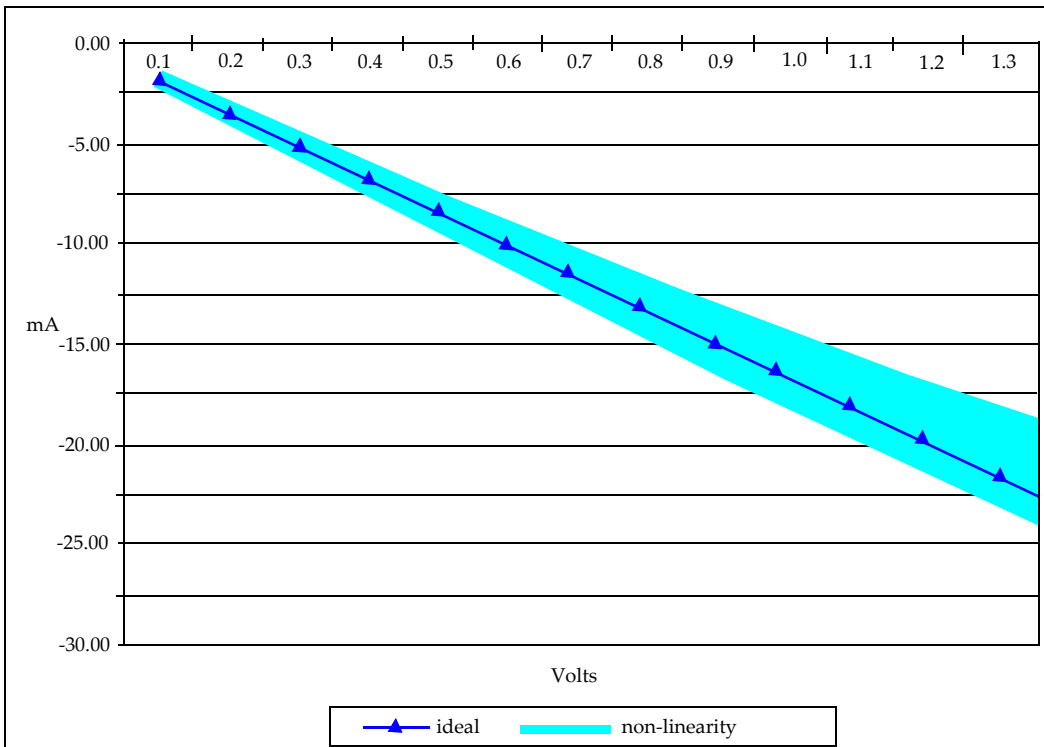


Figure 98. Example of Non Linearity, Pull Up/Termination Characteristic at 60 ohms

8.12 1.25V I/O Driver Models

The Driver and Termination impedances are derived from the following test conditions under worst case process corners:

1. Nominal 1.25V (VDD/VDDQ)
2. Power the DRAM device and calibrate the output drivers and termination to eliminate process variation at 25 °C.
3. Reduce temperature to 10 °C and recalibrate.
4. Reduce temperature to 0 °C and take the fast corner measurement.
5. Raise temperature to 75 °C and recalibrate
6. Raise temperature to 85 °C and take the slow corner measurement
7. Reiterate 2 to 6 with VDD/VDDQ 1.2125V
8. Reiterate 2 to 6 with VDD/VDDQ 1.2875V
9. All obtained Driver and Termination IV characteristics have to be bounded by the specified MIN and MAX IV characteristics

The following values (Ideal with +/- 10% min/max) are targets for the designer and are not required to be met. Vendor datasheets should be consulted for further details. It is expected that the characteristics of the real curves will have some nonlinearity as shown in Figure 120 and Figure 121. This may help to reduce the overall capacitance and boost performance. It is up to the designer to find the optimum combination of linearity and capacitance for best Rx and Tx performance.

[Table 97] 1.25V I/O Impedances

Pull-Down Characteristic at 40 ohms			
Voltage (V)	MIN(mA)	Ideal(mA)	MAX(mA)
0.1	2.25	2.5	2.75
0.2	4.5	5	5.5
0.3	6.75	7.5	8.25
0.4	9	10	11
0.5	11.25	12.5	13.75
0.6	13.5	15	16.5
0.7	15.75	17.5	19.25
0.8	18	20	22
0.9	20.25	22.5	24.75
1	22.5	25	27.5
1.1	24.75	27.5	30.25
1.2	27	30	33
1.25	28.125	31.25	35.375

Pull-Up/Termination Characteristic at 60 ohms			
Voltage (V)	MIN(mA)	Ideal(mA)	MAX(mA)
0.1	-1.5	-1.67	-1.83
0.2	-3	-3.33	-3.67
0.3	-4.5	-5	-5.5
0.4	-6	-6.67	-7.33
0.5	-7.5	-8.33	-9.17
0.6	-9	-10	-11
0.7	-10.5	-11.67	-12.83
0.8	-12	-13.33	-14.67
0.9	-13.5	-15	-16.5
1	-15	-16.67	-18.33
1.1	-16.5	-18.33	-20.17
1.2	-18	-20	-22
1.25	-18.75	-21.835	-22.915

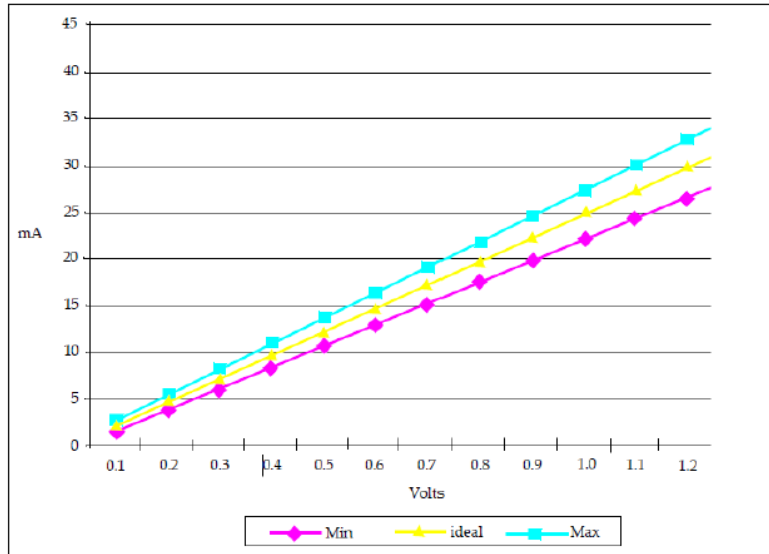


Figure 99. Target Pull Down Characteristic at 40 ohm

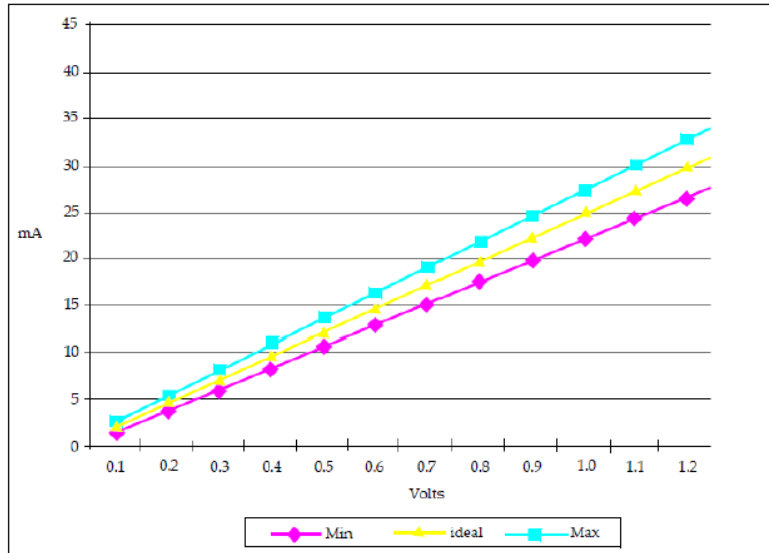


Figure 100. Target Pull Up/Termination Characteristic at 60 ohms

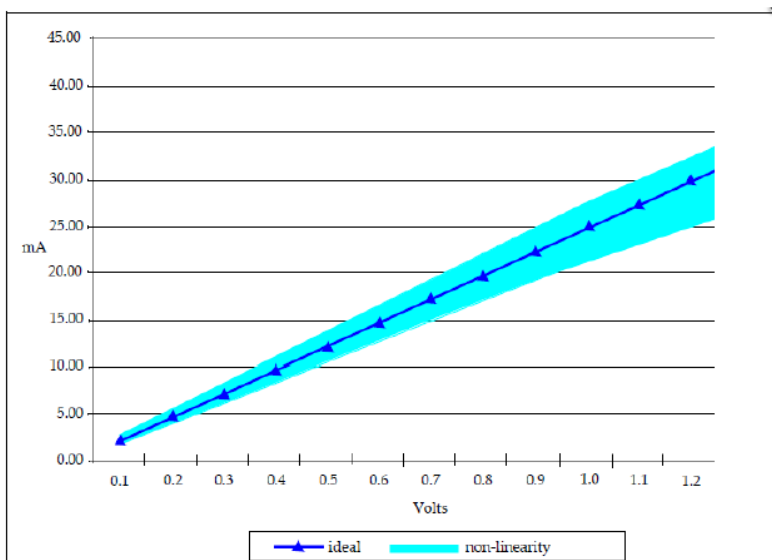


Figure 101. Example of Non Linearity, Pull Down Characteristic at 40 ohms

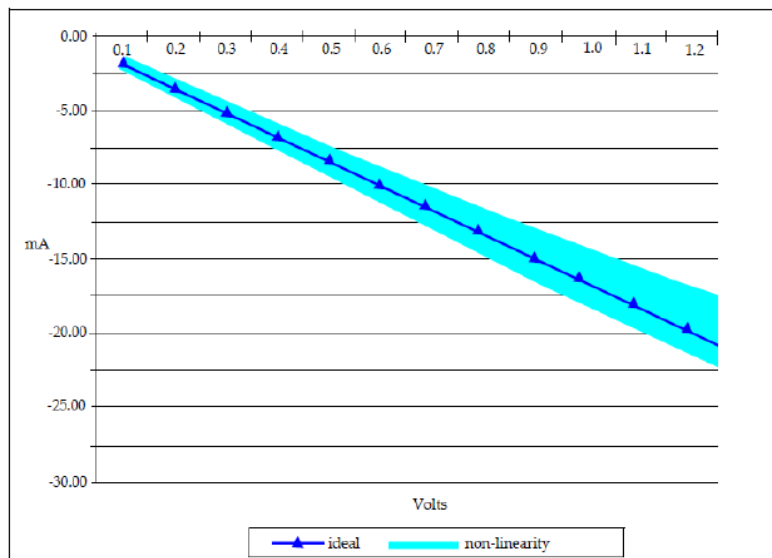


Figure 102. Example of Non Linearity, Pull Up/Termination Characteristic at 60 ohms

8.13 On Die Termination (ODT)

GDDR6 SGRAMs support multiple termination modes for its high speed input signals. When the termination is enabled for a receiver, an impedance defined for that termination mode is applied between that input receiver and the V_{DDQ} supply rail. This is commonly referred to as V_{DDQ} termination.

Table 98 includes all the high speed signals whose receivers include on die termination to V_{DDQ} and the corresponding Mode Register bits to control their termination.

[Table 98] Signals Affected by Termination Control Registers

Signal	Termination Control Registers		Notes
	x16 mode	x8 mode	
CA[10:4]_A, CABI_n_A, CKE_n_A CA[10:4]_B, CABI_n_B, CKE_n_B	CAH Termination + CA TO MR8 OP [4:2]		1
CA[3:0]_A, CA[3:0]_B	CAL Termination + CA TO MR8 OP [4, 1:0]		
CK_t, CK_c	CK Termination MR8 OP [11:10]		
DQ[7:0]_A, DBI0_n_A, DQ[15:8]_B, DBI1_n_B	Data Termination MR1 OP [3:2]		
DQ[15:8]_A, DBI1_n_A, DQ[7:0]_B, DBI0_n_B	Data Termination MR1 OP [3:2]	Disabled	
WCK0_t_A, WCK0_c_A, WCK1_t_B, WCK1_c_B	WCK Termination MR10 OP [11:10]		
WCK1_t_A, WCK1_c_A, WCK0_t_B, WCK0_c_B,	WCK Termination MR10 OP [11:10]	Disabled	

NOTE :

1) CA10 is only present in 24Gb and 32Gb densities.

8.14 x8 Mode Enable

A GDDR6 SGRAM based memory system is typically divided into several channels. GDDR6 has been optimized for a 16 bit wide channel. A channel can be comprised of a single device operated in x16 mode, or two devices each operated in x8 mode. For x8 mode the devices are typically assembled on opposite sides of the PCB in what is referred to as a clamshell layout.

Whether in x16 mode or x8 mode the device will operate with a point to point connection on the high speed data signal. The disabled signals in x8 mode should all be in a Hi-Z state, non-terminating.

The x8 mode is detected at power up on EDC1_A and EDC0_B. For x8 mode this ball is tied to V_{SS}; the signal is part of the byte that is disabled in this mode and therefore not needed for EDC functionality. For x16 mode this signal is active and always terminated to V_{DDQ} in the system or by the controller. The configuration is set with RESET_n going HIGH. Once the configuration has been set, it cannot be changed during normal operation. Usually the configuration is fixed in the system. Details of the x8 mode detection are depicted in Figure 103. A comparison of x16 mode and x8 mode systems is shown in Figure 104 and Figure 106 show examples of the board topologies that are supported in GDDR6.

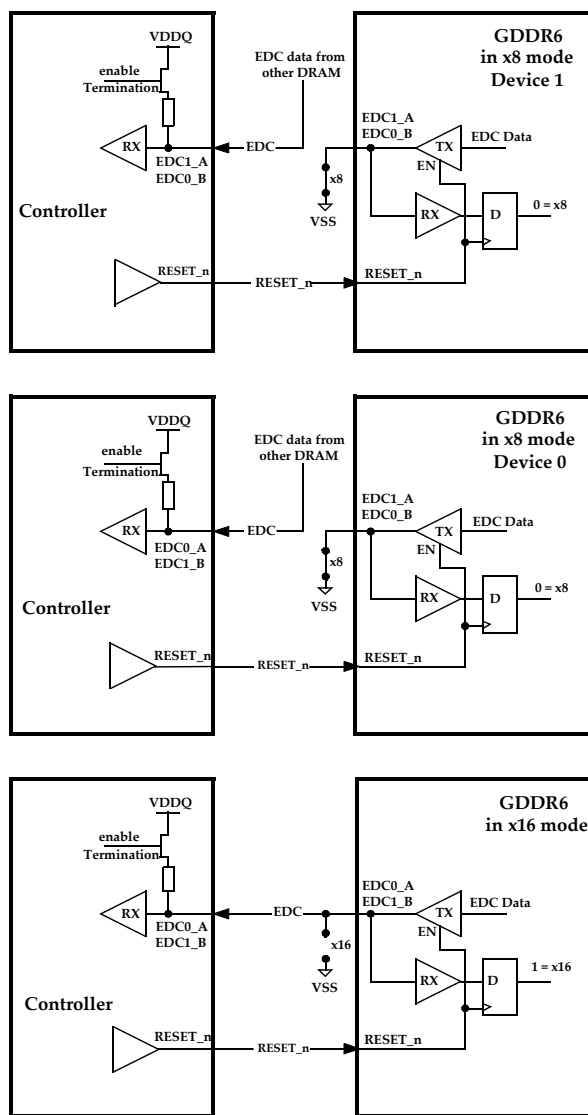
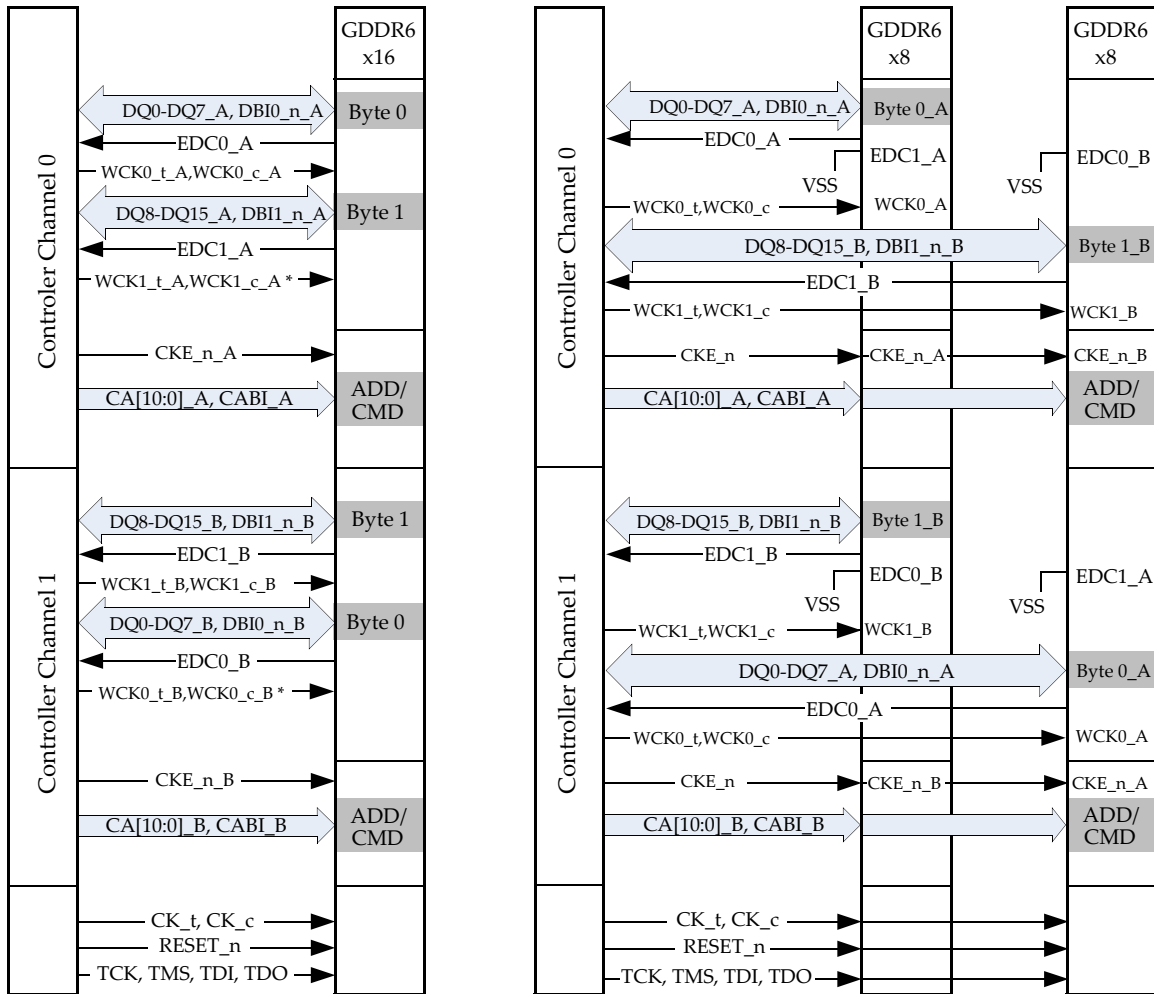


Figure 103. Enabling x8 mode

[Table 99] x8 mode

MODE	EDC0_A	EDC1_A	EDC0_B	EDC1_B
x8	V _{DDQ}	V _{SS} (on board)	V _{SS} (on board)	V _{DDQ}
x16	V _{DDQ} (terminated by the system or controller)			



* WCK1_A and WCK0_B are NC with WCK/word.
CA10 is only present in 24Gb and 32Gb densities.

Figure 104. Example System view for x16 mode vs. x8 mode

Figure 105 is an example that clarifies the use of x8 mode and how the bytes are enabled/disabled to give the controller the view of the same bytes that a controller sees with a single x16 device. For a 16 bit channel using 2 devices in a clamshell design, Byte 0 comes from Channel A from the top device and Byte 1 comes from the bottom Channel B and will look equivalent at the controller to a x16 mode.

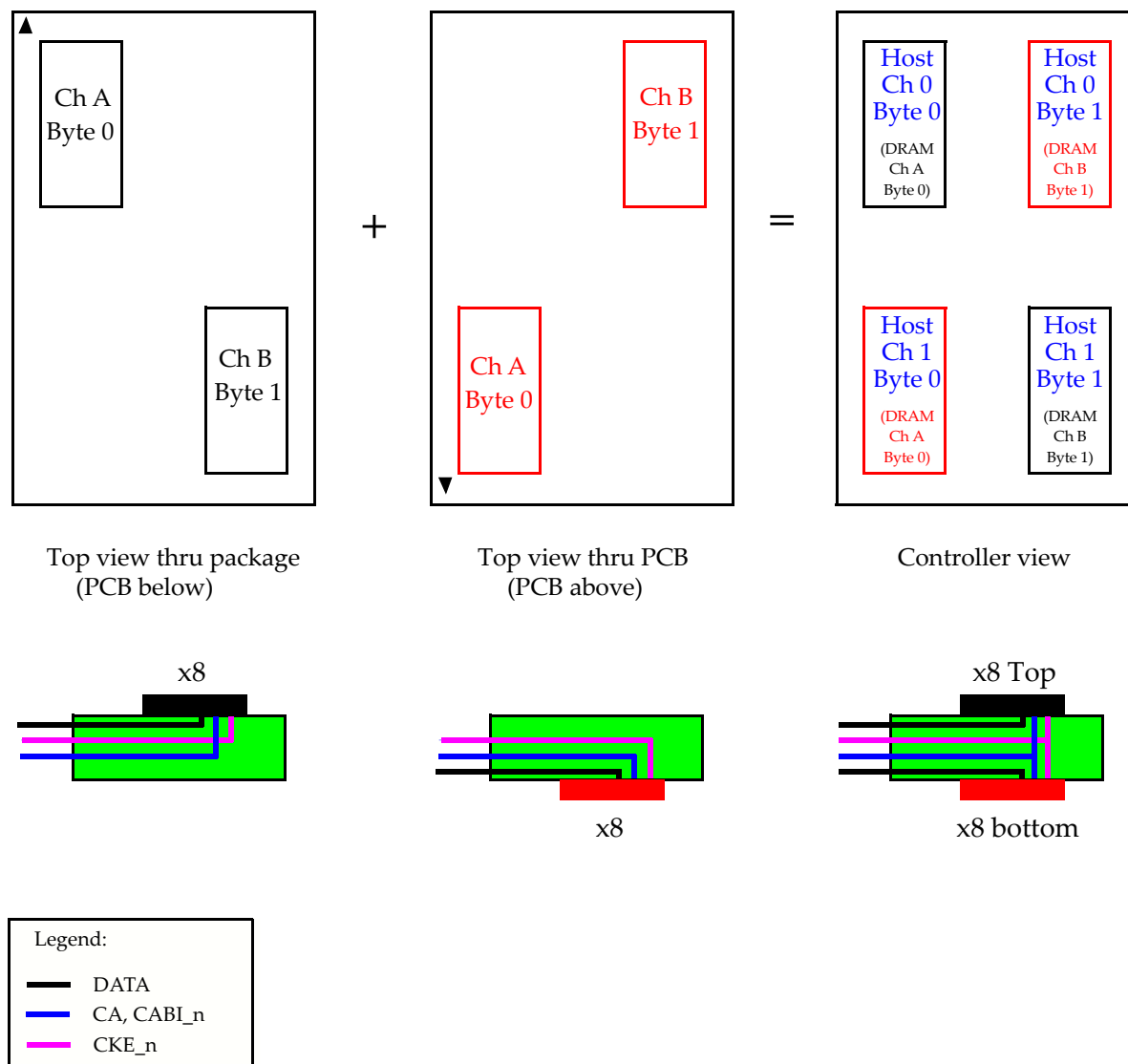
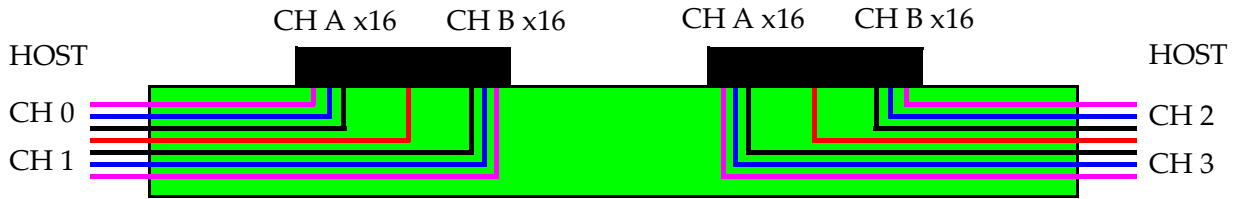


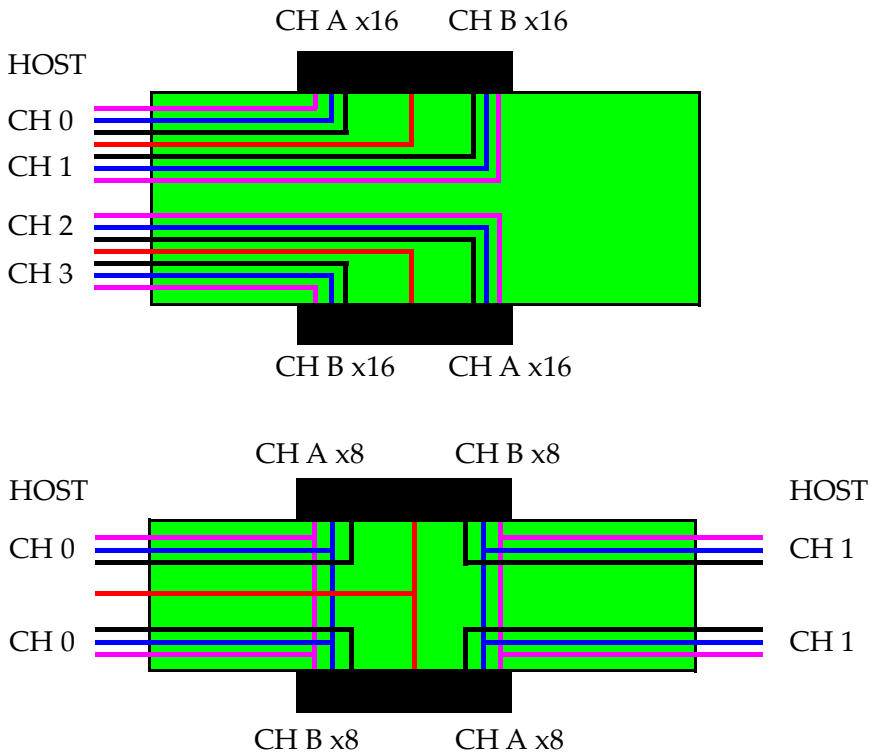
Figure 105. Byte Orientation in Clamshell Topology

The simple block diagrams in Figure 106 demonstrate some of the flexibility of PCB routing.

Single side configurations



Clamshell configurations



Legend:

	DATA
	CA, CABI_n
	CKE_n
	CK

Figure 106. Example GDDR6 PCB Layout Topologies

8.15 PSEUDO-CHANNEL (PC) MODE

A GDDR6 SGRAM based memory system is typically divided into several channels. GDDR6 has been optimized for a 32B access across a 16-bit channel by providing a unique CA[10:0] bus to each 16-bit wide channel. For applications requiring fewer CA pins, GDDR6 includes support for a PC mode where CA[9:4] on each channel is connected to a common bus while CA[3:0] of each channel is connected to a separate bus. The command truth table has been organized to enable this mode to support a unique column address to each pseudo-channel on CA[3:0]. In the PC mode, CKE_n and CABI_n are also shared across the pseudo-channels.

In the PC mode, the only difference in the DRAM is that termination on CA[10:4], CKE_n, and CABI_n can be configured differently from CA[3:0] but the functional operation of each channel is the same as in the normal mode.

The PC mode can be selected during initialization by driving CA6 = LOW on both channels when RESET_n is driven HIGH. The termination values are also selected at this time as defined in the initialization section. Mode Register MR8 includes controls for over-riding the termination impedance on the CA interface. MR8 OP4 = 0 selects the values selected during initialization. MR8 OP1 = 1 selects the values define by MR8 OP[3:0] as shown in Table 100 and Table 101.

[Table 100] CAH Termination for CKE_n, CABI_n, CA[10:4]

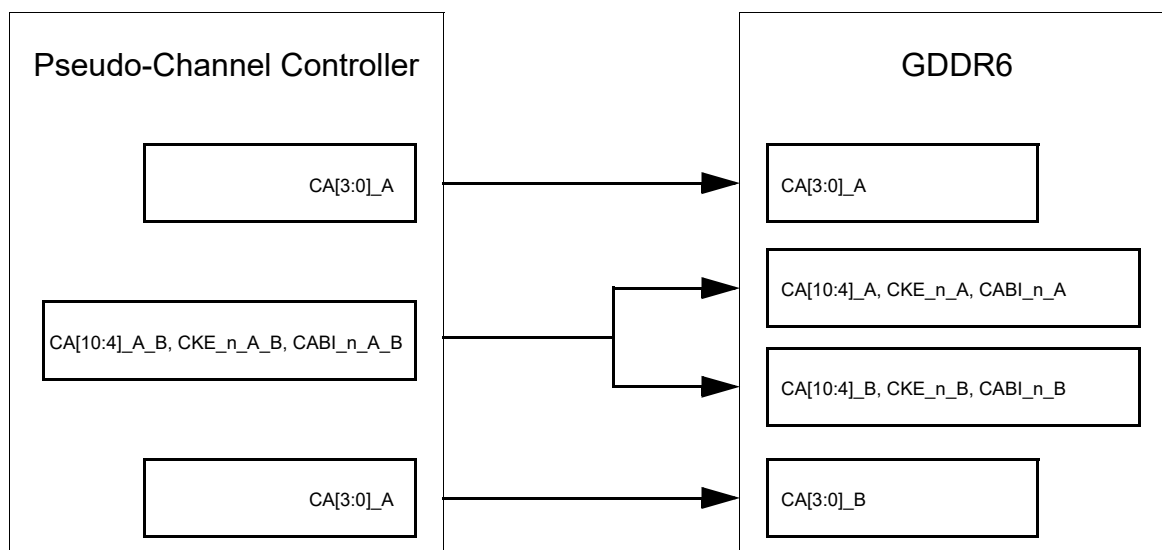
MR8 OP[3:2]	Termination Strength
00	Disabled
01	60 Ohm
10	120 Ohm
11	240 Ohm

[Table 101] CAL Termination for CA[3:0]

MR8 OP[1:0]	Termination Strength
00	Disabled
01	60 Ohm
10	120 Ohm
11	Reserved

[Table 102] Example System Configuration for Pseudo-Channel Mode

GDDR6	Controller		
	Dual channel	PC-A	PC-B
CA0_A	CA0_A		
CA1_A	CA1_A		
CA2_A	CA2_A		
CA3_A	CA3_A		
CA4_A			CA4_A_B
CA5_A			CA5_A_B
CA6_A			CA6_A_B
CA7_A			CA7_A_B
CA8_A			CA8_A_B
CA9_A			CA9_A_B
CA10_A			CA10_A_B
CABI_n_A			CABI_n_A_B
CKE_n_A			CKE_n_A_B
CA0_B		CA0_B	
CA1_B		CA1_B	
CA2_B		CA2_B	
CA3_B		CA3_B	
CA4_B			CA4_A_B
CA5_B			CA5_A_B
CA6_B			CA6_A_B
CA7_B			CA7_A_B
CA8_B			CA8_A_B
CA9_B			CA9_A_B
CA10_B			CA10_A_B
CABI_n_B			CABI_n_A_B
CKE_n_B			CKE_n_A_B



CA10 is only present in 24Gb and 32Gb densities.

Figure 107. Example System Configuration for Pseudo-Channel Mode

9. IEEE.1149.1 BOUNDARY SCAN

The GDDR6 SGRAM incorporates a boundary scan standard test access port that operates in accordance with IEEE Standard 1149.1-2013. It allows monitoring and control of the device's external I/O pins through a dedicated test port, and is controlled by an integrated test access port (TAP) controller.

Both channels A and B are equipped with their own TAP controller. This allows each channel to be tested individually, similar to a standalone device.

DRAM vendors may in addition use this test access port to gain access to proprietary test modes built into the device; this access will be provided through vendor defined instructions as outlined in section 9.4.

9.1 Test Pins

Four dedicated pins are associated with the boundary scan test access port. The pins connect to each channel's TAP as illustrated in Figure 108 and described below.

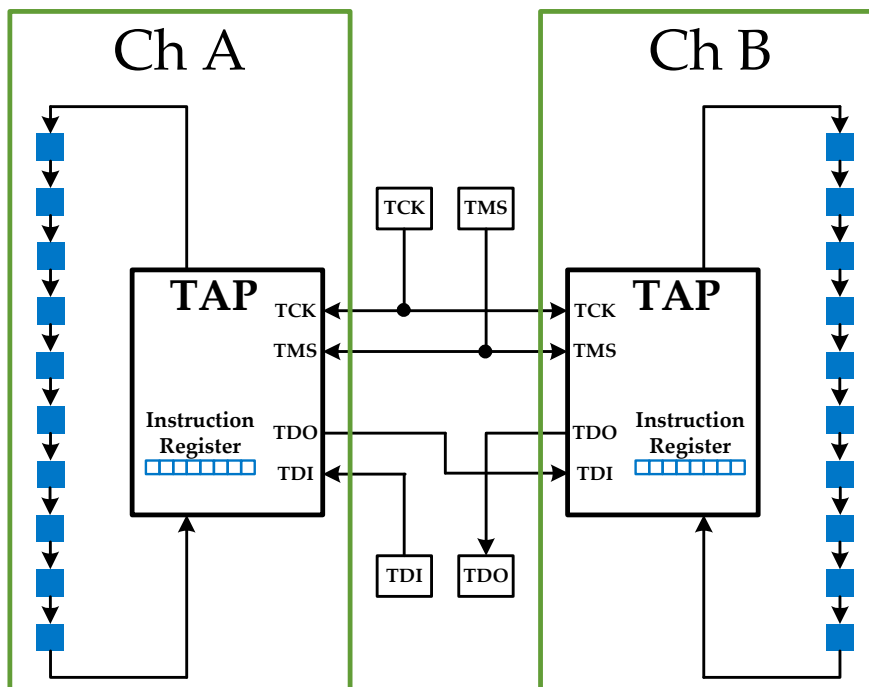


Figure 108. GDDR6 Dual TAP Controller Architecture

9.1.1 Test Clock (TCK)

The test clock is used only with the TAP controller. All inputs are captured on the rising edge of TCK. All outputs are driven from the falling edge of TCK. TCK is common to both channels.

9.1.2 Test Mode Select (TMS)

Commands to the TAP controller are received through the test mode select input. An internal pull-up resistor ensures that an undriven input is latched as a logic 1. TMS is common to both channels.

9.1.3 Test Data Input (TDI)

The pin is used to serially load test instructions and data into the registers and can be connected to the input of any register. The register between TDI and TDO is selected by the instruction that is loaded into the TAP instruction register. An internal pull-up resistor ensures that an undriven input is latched as a logic 1. TDI is connected to the most significant bit (MSB) of any register. TDI is connected to channel A's test data input while channel B's test data input is internally connected to channel A's test data output.

9.1.4 Test Data Output (TDO)

The pin is used to clock test instructions and data serially out of the registers. The TDO output driver is only active during the Shift-IR and Shift-DR TAP controller states (see Figure 109) and is Hi-Z in all other states. The output changes on the falling edge of TCK. TDO is connected to the least significant bit (LSB) of any register. TDO is connected to channel B's test data output while channel A's test data output is internally connected to channel B's test data input.

9.2 Tap Controller

The TAP controller is a finite state machine that uses the logic level of the TMS pin at the rising edge of TCK to navigate through its various operating modes as illustrated in Figure 109. The states are described subsequently. Actions of the test logic (e.g., data capture, shift or register updates) occur on the next falling or rising TCK edge in each state.

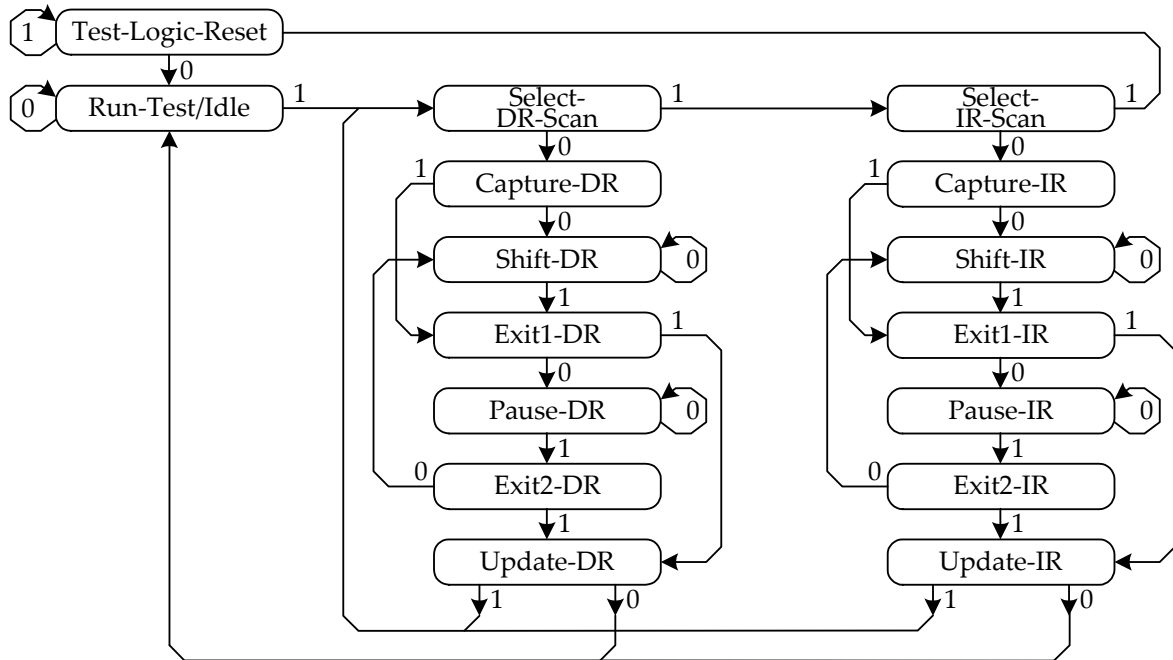


Figure 109. TAP Controller

9.2.1 Test-Logic-Reset

The Test-Logic-Reset state is entered when TMS is held HIGH for at least five consecutive rising edges of TCK. As long as TMS remains HIGH, the TAP controller remains in the test-logic-reset state, and the test logic is inactive during this state. The test-logic-reset state is also asynchronously entered upon device initialization to prevent any false interaction with the functional I/O of the device when boundary scan mode operation is not desired.

9.2.2 Run-Test/Idle

Run-Test/Idle is a controller state in between scan operations. The state can be maintained by holding TMS LOW. From here, either the data register scan, or subsequently, the instruction register scan can be selected.

9.2.3 Select-DR-Scan

This is a temporary controller state. All test data registers retain their state while here.

9.2.4 Capture-DR

This state is where data is parallel-loaded into the test data registers.

9.2.5 Shift-DR

Data is shifted serially through the data register while in this state. As new data is input through the TDI pin, data is shifted out of the TDO pin.

9.2.6 Exit1-DR, Pause-DR, and Exit2-DR

The purpose of Exit1-DR is to provide a path for return to the Run-Test/Idle state (through the Update-DR state). The Pause-DR state is entered when there is a need to suspend data shifting through the test registers. When shifting is to reconvene, the controller enters the Exit2-DR state and can then re-enter the Shift-DR state.

9.2.7 Update-DR

Data is parallel loaded from the shift register to the parallel output register on the falling edge of TCK in this controller state.

9.2.8 Instruction Register States

The instruction register states of the TAP controller are similar to the data register states. The desired instruction is shifted serially into the instruction register during the Shift-IR state and is loaded during the Update-IR state.

9.3 Tap Registers

Several registers are provided to serially load and scan out instructions and data through the TDI and TDO pins. Only a single register can be selected at a time; the selection is determined by the active instruction and the TAP controller state.

The LSB (bit 0) of each register is located nearest to the serial output (TDO) and shifted out first.

9.3.1 Instruction (IR) Register

Eight-bit instructions (see Table 104) can be loaded serially into the instruction register. This register is loaded during the Update-IR state of the TAP controller. The instruction register is loaded with the IDCODE instruction upon power-up or when the TAP controller is in the Test-Logic-Reset state. When the TAP controller is in the Capture-IR state, the register is loaded with a hexadecimal 0x01 pattern to accommodate fault isolation of the board-level serial test data path.

9.3.2 Bypass (BY) Register

The BY register is a single-bit register that can be placed between the TDI and TDO pins. This enables data shifting through the device with minimal delay. The BY register is loaded with 0 in the Capture-DR controller state when the BYPASS, CLAMP or HIGH-Z instruction is executed.

9.3.3 Identification (ID) Register

The ID register contains a vendor specific 32-bit hardwired device identification code as shown in Figure 110. The register is loaded during the Capture-DR state when the IDCODE command is loaded in the instruction register. The register is shifted out in the Shift-DR controller state. The manufacturer identity field shall be programmed according to the latest revision of JEP106.

MSB							LSB
31	28	27		12	11		1 0
Version	Part Number				Manufacturer Identity		1

Figure 110. Identification Register

9.3.4 Temperature (TR) Register

The 8-bit TR register is loaded with the binary readout of the device's temperature sensor (see TEMPERA-TURE SENSOR section) in the Capture-DR controller state when the TEMPERATURE instruction is loaded in the instruction register. The register is shifted out in the Shift-DR controller state.

9.3.5 Boundary Scan (BS) Register

The BS register is the primary test register that monitors and controls the data flow through the functional I/O of the device. The register is parallel-loaded with the contents of the I/O when the TAP controller is in the Capture-DR state. It is then placed between the TDI and TDO pins when the controller is moved to the Shift-DR state; in that state new test data are serially shifted in from the TDI pin while the captured pin state are shifted out on the TDO pin at the same time.

Different types of boundary scan cells are associated with each device pin. Example implementations of boundary scan cells are shown in Figure 111.

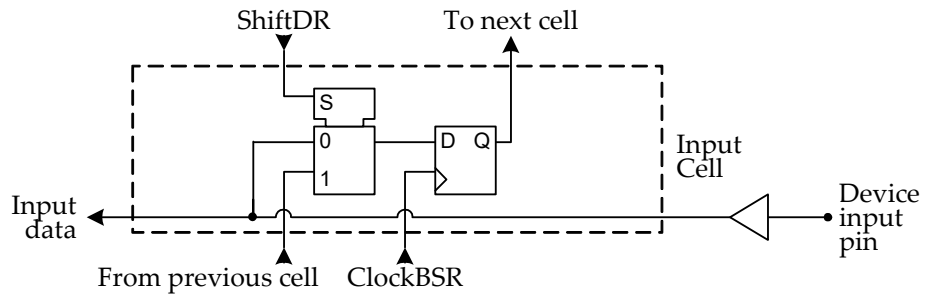
Each input pin is equipped with an observe-only cell for input data capture. Differential clocks (CK, WCK) are equipped with an observe-only input cell on both their true and complement inputs. V_{REFC} and ZQ pins are as well equipped with an observe-only cell; their scan result may be masked (ignored) if, e.g., internal V_{REFC} is used. Shared pins CK_t/CK_c, V_{REFC} and RESET_n can be observed via both channel's TAP.

Each DQ pin is equipped with one combined input and output boundary scan cell. The cell performs the same function for input data capture as provided for the input pins, and also holds the output data. An additional boundary scan cell per byte controls the output enable of the 8 DQs of that byte.

Each DBI_n and EDC pin is equipped with two boundary scan cells. The first cell is the same combined input and output boundary scan cell for input data capture and output data as for a DQ pin. The second cell controls the output enable. It is pointed out that the input data capture on EDC pins is defined for EDC0_B and EDC1_A only and should be masked (ignored) for EDC0_A and EDC1_B.

The boundary scan register of each channel has a fixed length of 48 for all densities, and the boundary scan cells are serially connected as outlined in Table 103.

Boundary scan input cell



Boundary scan cell at bidirectional I/O

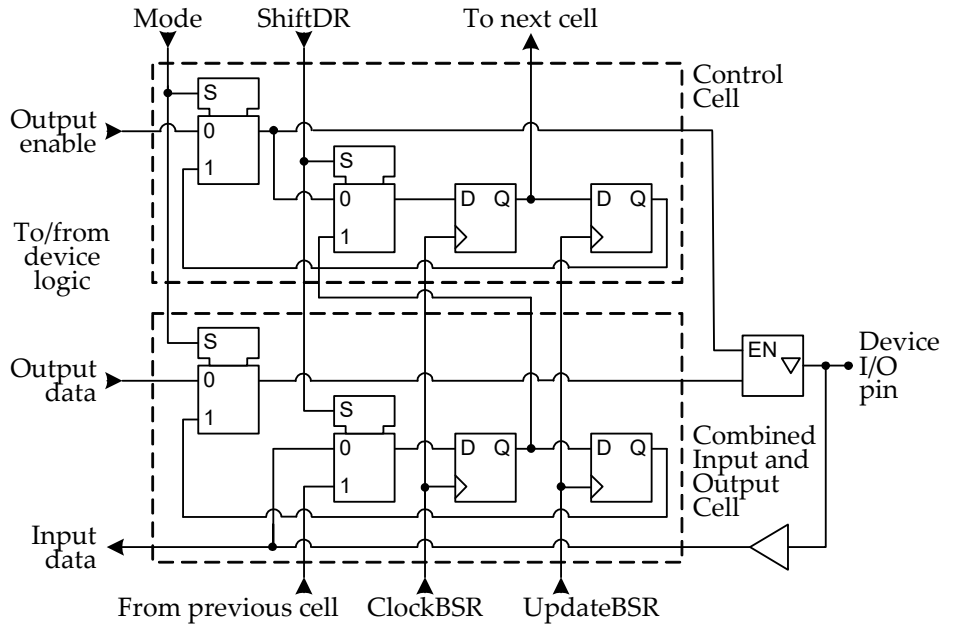


Figure 111. Example Boundary Scan Cells

[Table 103] Boundary Scan Register Bit Order

BIT	BALL			PIN	BIT	BALL		TYPE	PIN	BIT	BALL		TYPE	PIN
	Ch A	Ch B	TYPE			Ch A	Ch B				Ch A	Ch B		
0	K-1	K-1	I	VREFC	16	D-5	R-5	I	WCK0_c	32	–	–	OE	DQ[15:8]
1	J-1	J-1	I	RESET_n	17	D-4	R-4	I	WCK0_t	33	D-13	R-13	OE	DBI1_n
2	J-5	K-5	I	CABI_n	18	C-2	T-2	OE	EDC0	34	D-13	R-13	I/O	DBI1_n
3	J-3	K-3	I	CA9	19	C-2	T-2	I/O	EDC0	35	E-12	P-12	I/O	DQ12
4	J-4	K-4	I	CA8	20	B-2	U-2	I/O	DQ3	36	E-13	P-13	I/O	DQ13
5	H-5	L-5	I	CA4	21	B-3	U-3	I/O	DQ2	37	F-13	N-13	I/O	DQ14
6	G-4	M-4	I	CA2	22	A-3	V-3	I/O	DQ1	38	G-13	M-13	I/O	DQ15
7	H-3	L-3	I	CA0	23	B-4	U-4	I/O	DQ0	39	G-10	M-10	I	CKE_n
8	G-5	M-5	I	CA10	24	B-11	U-11	I/O	DQ8	40	G-11	M-11	I	CA1
9	G-2	M-2	I/O	DQ7	25	A-12	V-12	I/O	DQ9	41	H-12	L-12	I	CA3
10	F-2	N-2	I/O	DQ6	26	B-12	U-12	I/O	DQ10	42	H-10	L-10	I	CA5
11	E-2	P-2	I/O	DQ5	27	B-13	U-13	I/O	DQ11	43	J-12	K-12	I	CA6
12	E-3	P-3	I/O	DQ4	28	C-13	T-13	OE	EDC1	44	J-11	K-11	I	CA7
13	D-2	R-2	OE	DBI0_n	29	C-13	T-13	I/O	EDC1	45	K-10	K-10	I	CK_c
14	D-2	R-2	I/O	DBI0_n	30	D-10	R-10	I	WCK1_c	46	J-10	J-10	I	CK_t
15	–	–	OE	DQ[7:0]	31	D-11	R-11	I	WCK1_t	47	J-14	K-14	I	ZQ

- NOTE :**
- 1) Register types: I = input cell; I/O = combined input and output cell; OE = output enable control cell.
 - 2) Bit order applies to both channels A and B.
 - 3) Shared pins CK_t/CK_c, VREFC and RESET_n can be observed via both channel's TAP.
 - 4) Input data capture on EDC pins is defined for EDC0_B and EDC1_A only and should be masked (ignored) for EDC0_A and EDC1_B.
 - 5) CA10 is only present in 24 Gb and 32 Gb densities. The input data capture on this input should be masked (i.e. ignored) in all lower densities where CA10 is not present.

9.4 Tap Instruction Set

Table 104 summarizes the instructions supported by the TAP controller. Instruction codes not listed in the table may be used by the DRAM vendor for vendor specific test instructions.

[Table 104] Boundary Scan Instructions

Instruction	Op-Code	Active Data Register	Register Length
BYPASS	0x00	Bypass	1
SAMPLE/PRELOAD	0x01	Boundary Scan	48
IDCODE	0x02	Identification	32
CLAMP	0x04	Boundary Scan / Bypass	48 / 1
HIGH-Z	0x08	Bypass	1
EXTEST	0x10	Boundary Scan	48
TEMPERATURE	0x20	Temperature	8
BYPASS	0xFF	Bypass	1

9.4.1 SAMPLE/PRELOAD

The SAMPLE/PRELOAD instruction provides two functions. The SAMPLE function allows a snapshot of the states of the device's input and output signals to be taken without interfering with the system's normal operation; the snapshot is taken and captured in the boundary scan register on the rising edge of TCK when the TAP controller is in the Capture-DR state. The data can then be viewed by shifting through the device's TDO output.

The PRELOAD function allows an initial data pattern to be placed at the latched parallel outputs of boundary scan register cells before the selection of another boundary scan test operation, for example, before the selection of the EXTEST instruction. As soon as the EXTEST instruction has been transferred to the parallel output of the instruction register, the preloaded data are driven through the system output pins.

9.4.2 IDCODE

The IDCODE instruction causes loading of a vendor-specific, 32-bit code into the identification register. It also places the identification register between the TDI and TDO pins and enables shifting the IDCODE out of the device when the TAP controller enters the Shift-DR state. The IDCODE instruction is loaded into the instruction register upon power-up or whenever the TAP controller is in the Test-Logic-Reset state.

9.4.3 CLAMP

The CLAMP instruction allows the state of the device's output pins to be determined from the boundary scan register, while the bypass register is selected as the serial path between TDI and TDO. Data in the boundary scan register may result from the previous use of the PRELOAD instruction. The signals driven from the output pins do not change while the CLAMP instruction is selected.

9.4.4 HIGH-Z

The HIGH-Z instruction places all device output pins into a Hi-Z state; it causes the bypass register to be connected between TDI and TDO.

9.4.5 EXTEST

The EXTEST instruction allows testing of off-chip circuitry and board-level interconnections. Test data typically would be loaded onto the latched parallel outputs of boundary scan shift-register stages using the PRELOAD instruction before selection of the EXTEST instruction.

When the EXTEST instruction is selected, the state of all signals driven from the device's output pins changes only on the falling edge of TCK in the Update-DR controller state, and the state of all signals received at the device's input pins shall be loaded into the boundary scan register on the rising edge of TCK in the Capture-DR controller state.

9.4.6 BYPASS

When the BYPASS instruction is loaded in the instruction register and the TAP is placed in a Shift-DR state, the bypass register is placed between TDI and TDO. Please note that two op-codes are associated with the BYPASS instruction.

9.4.7 TEMPERATURE

The TEMPERATURE instruction provides an alternative method to read the device's junction temperature at any time without interrupting the normal mode operation. It places the temperature register between the TDI and TDO pins.

9.5 Boundary Scan Operation

Figure 112 illustrates a typical boundary scan test port operating sequence. The TAP states correspond to those shown in Figure 109. The sequence starts from the Test-Logic-Reset state. At first an instruction is serially loaded into the instruction register at clock edges T6 through T13 and latched in the Update_IR state at T16. The TAP then advances to the data register states, to parallel-load test data into the test data register in the Capture-DR state at T19, serially shift the test data in the Shift-DR state starting at T20, and finally to update the test data register's parallel outputs in the Update-DR state at T20+n.

It is pointed out that this example sequence refers to channel A or channel B separately. Any test pattern shift operation for a GDDR6 device is achieved by serially connecting the test pattern for channels A and B in accordance with the internal connection between both TAPs as shown in Figure 108. As an example, the 8-bit instruction registers of channel A and B are connected in series in the SHIFT_IR state. The 8-bit instruction code for channel B will be shifted in first immediately followed by the 8-bit instruction code for channel A, resulting in a total of 16 shift operations to load both channel's instruction registers.

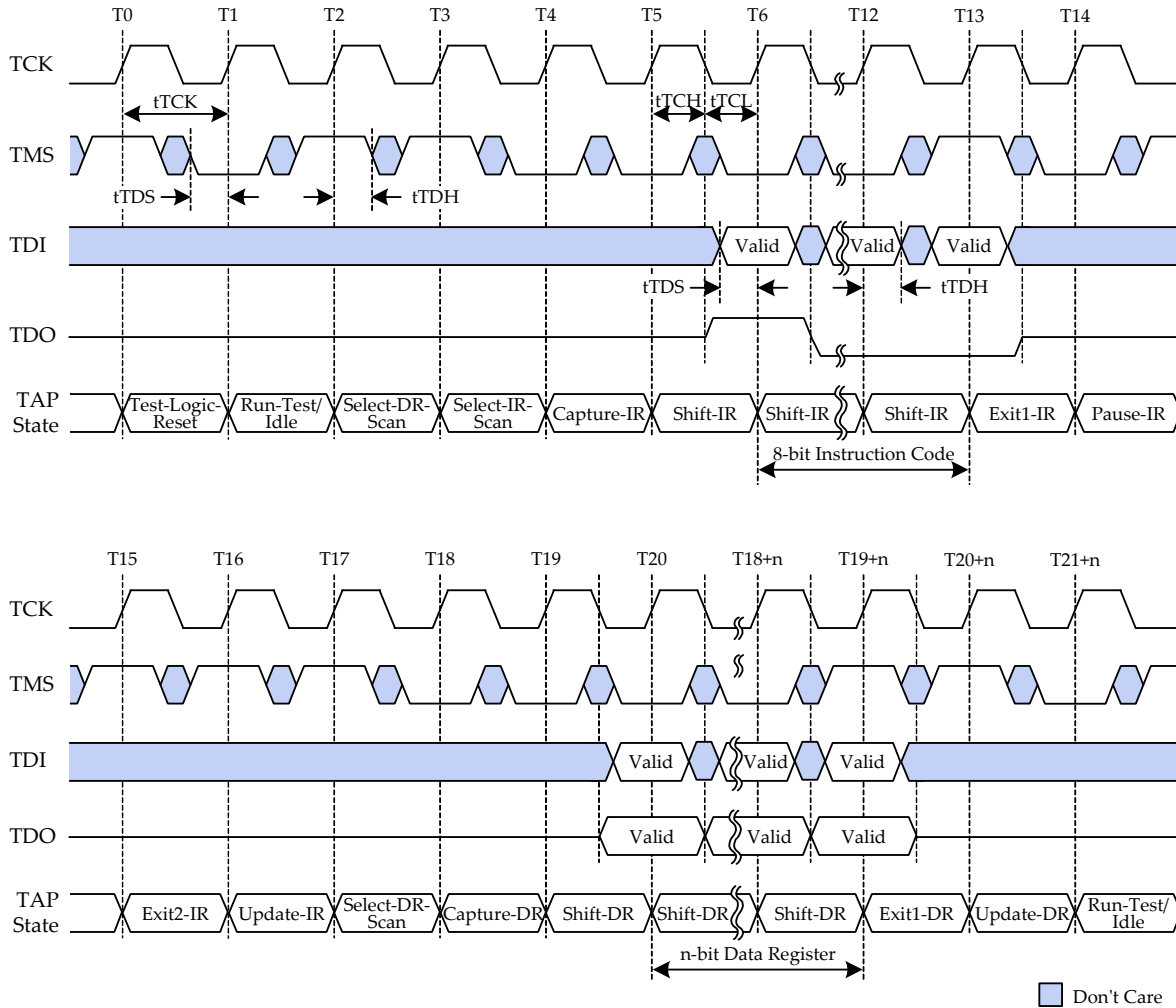


Figure 112. Example Boundary Scan Operation

NOTE :
 1) $t_{TOV} = 0$ is shown for illustration purposes.

[Table 105] Boundary Scan AC Electrical Characteristics

PARAMETER/CONDITION	SYMBOL	MIN	MAX	UNIT
TCK clock cycle time	t_{TCK}	20	-	ns
TCK clock HIGH-level width	t_{TCH}	0.45	-	t_{TCK}
TCK clock LOW-level width	t_{TCL}	0.45	-	t_{TCK}
TDI, TMS input setup time to rising TCK edge	t_{TDS}	2.5	-	ns
TDI, TMS input hold time from rising TCK edge	t_{TDH}	2.5	-	ns
TDO output hold time from falling TCK edge	t_{TOH}	0	-	ns
TDO output valid time from falling TCK edge	t_{TOV}	-	5	ns

9.6 Interactions Between Boundary Scan And Normal Device Operation

Boundary scan operation may be initiated at any time after all voltages are stable (step 3 of the power-up sequence). Interactions between normal device operation and boundary scan operation depend on the selected scan instruction (see Table 104):

- Instructions BYPASS, IDCODE, TEMPERATURE and SAMPLE/PRELOAD can be loaded and executed in parallel with normal device operation. The state of the high speed pins is not impacted by these scan instructions, and all commands are executed as normal. It is pointed out that the SAMPLE function of the SAMPLE/PRELOAD instruction is not supported; any data sampled with this instruction shall be ignored.
- Instructions EXTEST, CLAMP and HIGH-Z take control of the high speed pins and therefore cannot be executed in parallel with normal device operation. The device disables the respective channel's command decoder, terminates all ongoing command executions and forces the respective channel into reset state once one of these instructions is loaded into the instruction register.

Once boundary scan operation has been completed, the device may return to normal operation without cycling through power-off and power-on by following this sequence:

1. Assert RESET_n to LOW.
2. Terminate boundary scan operation by setting the TAP controller back to Test-Logic-Reset state; this state will load the IDCODE instruction into the instruction register, enable the command decoder and release control of the high speed pins.
3. Maintain RESET_n LOW for a minimum time of t_{RES} , then continue with step 3 of the initialization with stable power sequence