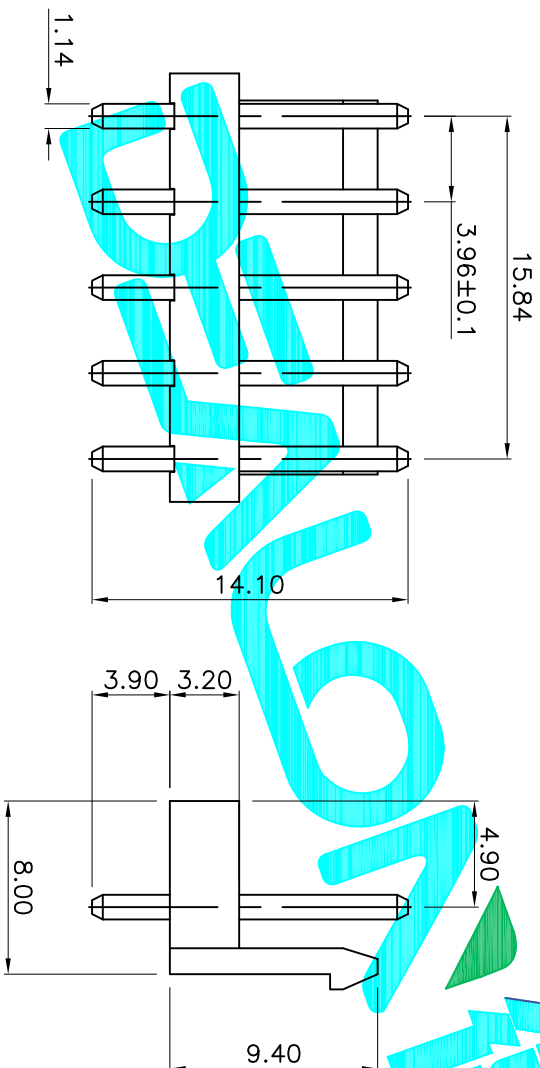


Specifications :
 Voltage rating: 250V AC / DC
 Current rating: 7A AC / DC
 Withstanding voltage: 1500V AC/minute
 Temperature range: -25°C~+85°C
 Insulation resistance: ≥1000MΩ
 Contact resistance: ≤10mΩ
 After environmental testing: ≤20mΩ



| Poles | Dimensions(mm) | | Poles | Dimensions(mm) | |
|-------|----------------|-------|-------|----------------|-------|
| | A | B | | A | B |
| 02 | 3.96 | 7.92 | 09 | 31.68 | 35.64 |
| 03 | 7.92 | 11.88 | 10 | 35.64 | 39.60 |
| 04 | 11.88 | 15.84 | 11 | 39.60 | 43.56 |
| 05 | 15.84 | 19.80 | 12 | 43.56 | 47.52 |
| 06 | 19.80 | 23.76 | 13 | 47.52 | 51.48 |
| 07 | 23.76 | 27.72 | 14 | 51.48 | 55.44 |
| 08 | 27.72 | 31.68 | 15 | 55.44 | 59.40 |

| | | | | |
|----------------|----------|---------------------|--------------------------------------|--------------|
| APPROVALS | | DATE | DRAWING NO. | |
| DRAWN | G.M.Chen | 2015/5/29 | ELECTRONICS CO.,LTD | |
| CHECKED | | | TITLE: 3.96mm Crimp Style Connectors | |
| APPROVALS | | | PART NO. | VII-XXXA |
| TOLERANCES ARE | | 30 ^{±0.15} | ±0.30 | ANGLE |
| | | 10 ^{±0.10} | ±0.20 | UNIT: mm |
| | | 5 ^{±0.10} | ±0.15 | SCALE: 1:1 |
| | | | | SHEET 1 OF 1 |
| ECN NO. | REV. | DATE. | DESCRIPTION. | PROJ. |
| | A | | NEW | |
| | | | | |