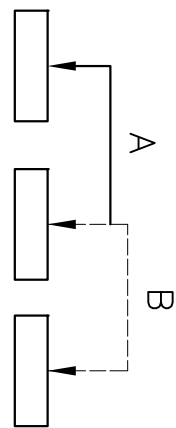
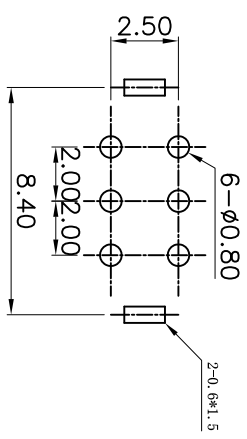
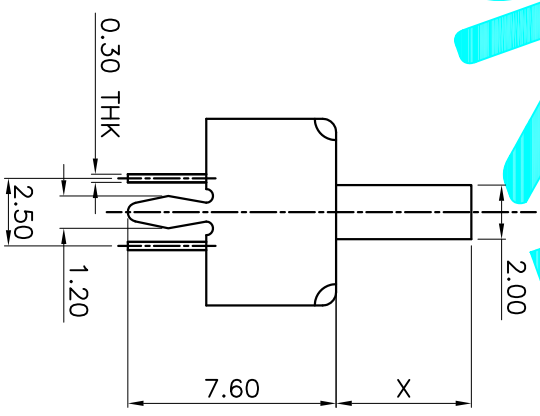
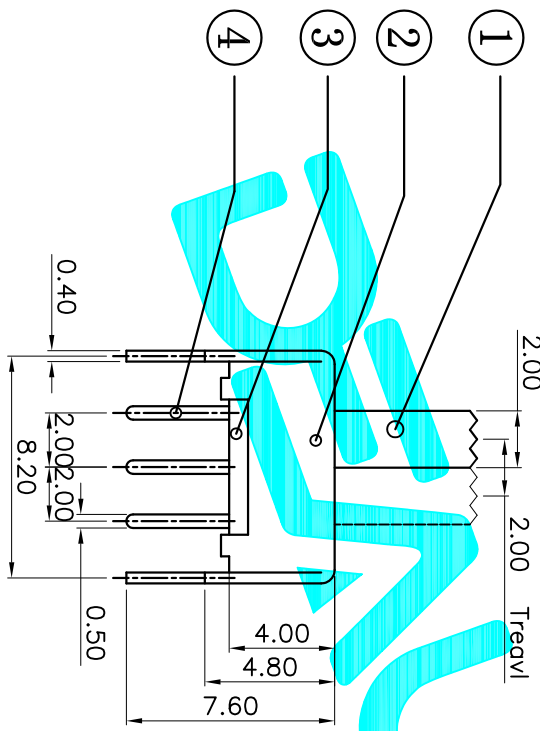


| X | |
|---------|-------|
| PART NO | vigor |
| 2 | G2 |
| 3 | G3 |
| 4 | G4 |
| 5 | G5 |
| 6 | G6 |
| 7 | G7 |
| 8 | G8 |



Circuit Diagram



P.C.B layout

| ⑤ | Contact | 2 | Phosphor Bronze | Ag Plated |
|------|-----------|------|-----------------|-----------|
| ④ | Terminal | 6 | Brass Strip | Ag Plated |
| ③ | Base | 1 | Phenolic Resin | Natural |
| ② | Frame | 1 | Spcc | Ni Plated |
| ① | Knob | 1 | POM | Black |
| ITEM | PART NAME | QTY. | MATERIAL | FINISHING |

| APPROVALS | | DATE | DRAWING NO. | |
|----------------|----------|------------|-------------------------|---------|
| DRAWN | G.M.Chen | 2015/07/07 | SS-22D03-GXX | |
| CHECKED | | | VERTICAL SLIDE SWITCHES | |
| APPROVALS | | | ELECTRONICS CO.,LTD | |
| TOLERANCES ARE | | ±0.30 | ±0.20 | ±0.15 |
| | | ±0.10 | ±0.10 | ±0.10 |
| | | ±0.05 | | |
| ECN NO. | REV. | DATE. | DESCRIPTION. | CHANGE. |
| | A | | NEW | |

