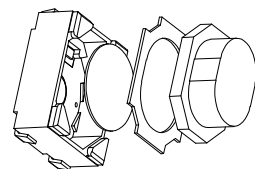
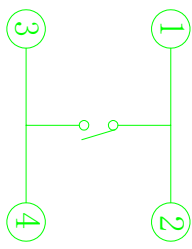
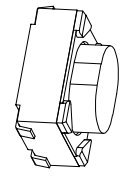
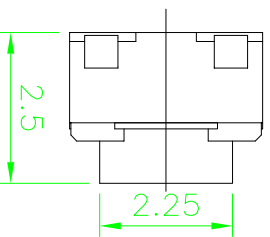
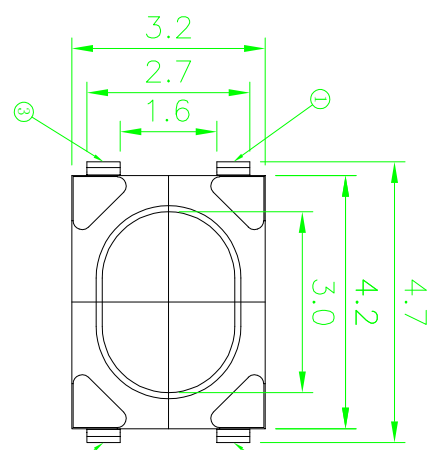


RoHS

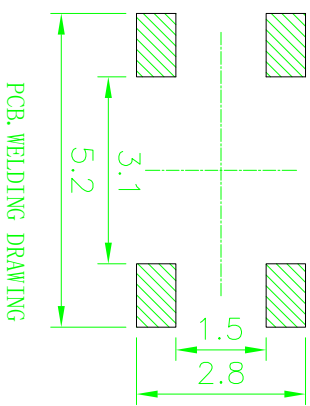
CAD GENERATED DRAWING. DON'T CHANGE BY HAND.



- 5
- 4
- 3
- 2
- 1



CIRCUIT DIAGRAM



PCB WELDING DRAWING

Specification

Operating Life	100,000
Contact rating	50mA@12V DC.
Insulation resistance	1011Ω min.
Contact resistance	100mΩ max. initial.
Dielectric Strength	250 V AC(1mm)
Travel	0.35±0.15mm
Storage Temperature	-30° C to 85° C

ITEM	STRU	PA	QTY	FINISH/COLOR
5	STRU	PA	1	White/Black
4	COVER	Stainless Steel	1	Clean
3	WOME	Stainless Steel	1	plated Ag
2	WRESSING	ICP	1	White
1	PTX	Brass	1	plated Ag
1189	DESCRIPTION	MATERIAL	QTY	FINISH/COLOR

Mechanical

PA	Operate force(F)	Height mm
YTS1T016*J10	160±50	2.5
YTS1T016*J20	230±50	2.5
YTS1T016*J30	400±50	2.5

X.	±0.50	X.°	±2°
.X	±0.30	.X°	±1°
.XX	±0.10	.XX°	±0.5°
.XXX	±0.05		

UNITS	mm
FINISH	qTY

THESE DRAWINGS AND SPECIFICATIONS ARE THE PROPERTY OF YIYUAN TECHNOLOGY CO.,LTD AND SHOULD NOT BE REPRODUCED, COPIED, EITHER WHOLLY OR PARTIALLY, WITHOUT THE PRIOR WRITTEN CONSENT OF YIYUAN TECHNOLOGY CO.,LTD

YIYUAN 深圳市怡远科技有限公司
SHENZHEN YIYUAN TECHNOLOGY CO.,LTD

PART NO. YTS1T016*J

APPD: ROGER
CHKD: ROC

DR: BILLY WANG 2020/08/21

TITLE: TACTILE SWITCH

DWG NO.: YTS1T016*J

SCALE 1/1
SHEET 1/1
REV. A1

Packaging:
Reel of 3,000
pieces.