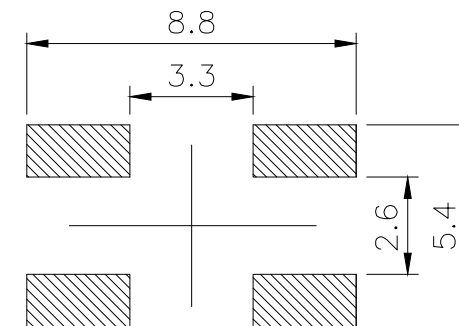
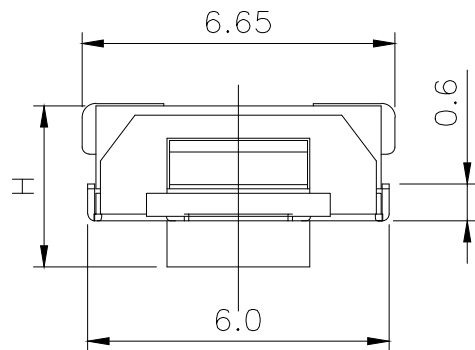
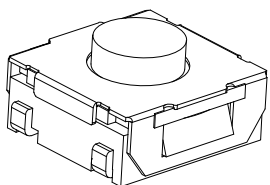


CIRCUIT DIAGRAM



PCB. WELDING DRAWING

### Specification

Operating Life	100,000
Contact rating	50mA@12V DC.
Insulation resistance	1011 Ω min.
Contact resistance	100mΩ max. initial.
Dielectric Strength	250 V AC(1mm)
Travel	0.25±0.15mm
Storage Temperature	- 30° C to 80° C

Packaging:  
Reel of 1,500 pieces for 3.1-3.5H  
Reel of 1,000 pieces for 4.3\*5.0H

### Mechanical

E	Button	Silica	1	Pickling
D	COVER	Stainless Steel	1	Cleaning
C	DOME	Stainless Steel	1	Plated Ag
B	HOUSING	PPA	1	Black
A	PIN	PHOSPHOR BRONZE	1	Plated Ag
ITEM	DESCRIPTION	MATERIAL	QTY	FINISH/COLOR

Type	Operating Force (gf)	Height mm	Button	Leads Shape (G, J, T)	Ground pin (0, 1)	Pogo Option (0, 1)
YTS1S005	4	400±50	D	5.0	E (Ecrn) U (Blue) # (White)	J
	3	250±50	C	4.3		
	2	160±50	B	3.5		
	1	100±50	A	3.1		

X.	±0.50	X.°	±2°
.X	±0.30	.X°	±1°
.XX	±0.10	.XX°	±0.5°
.XXX	±0.05		

UNITS	mm
MAT'L	
FINISH	
Q'TY	

THESE DRAWINGS AND SPECIFICATIONS ARE THE PROPERTY OF YIYUAN TECHNOLOGY CO.,LTD AND SHALL NOT BE REPRODUCED, COPIED OR USED IN ANY MANNER WITHOUT THE PRIOR WRITTEN CONSENT OF YIYUAN TECHNOLOGY CO.,LTD



深圳市怡远科技有限公司  
SHENZHEN YIYUAN TECHNOLOGY CO., LTD

PART NO.  
YTS1S005\*J

TITLE:  
TACTILE SWITCH

APPD: ROGER

DWG NO.:  
YTS1S005\*J

CHKD: ROC

DR: BILLY WANG 2020/08/21

SCALE	SHEET	REV.
1/1	1/1	A1