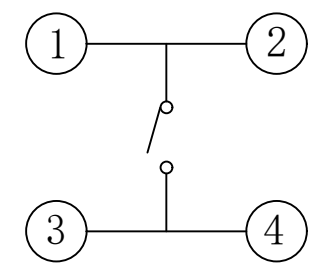
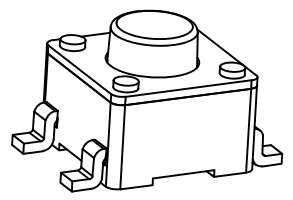
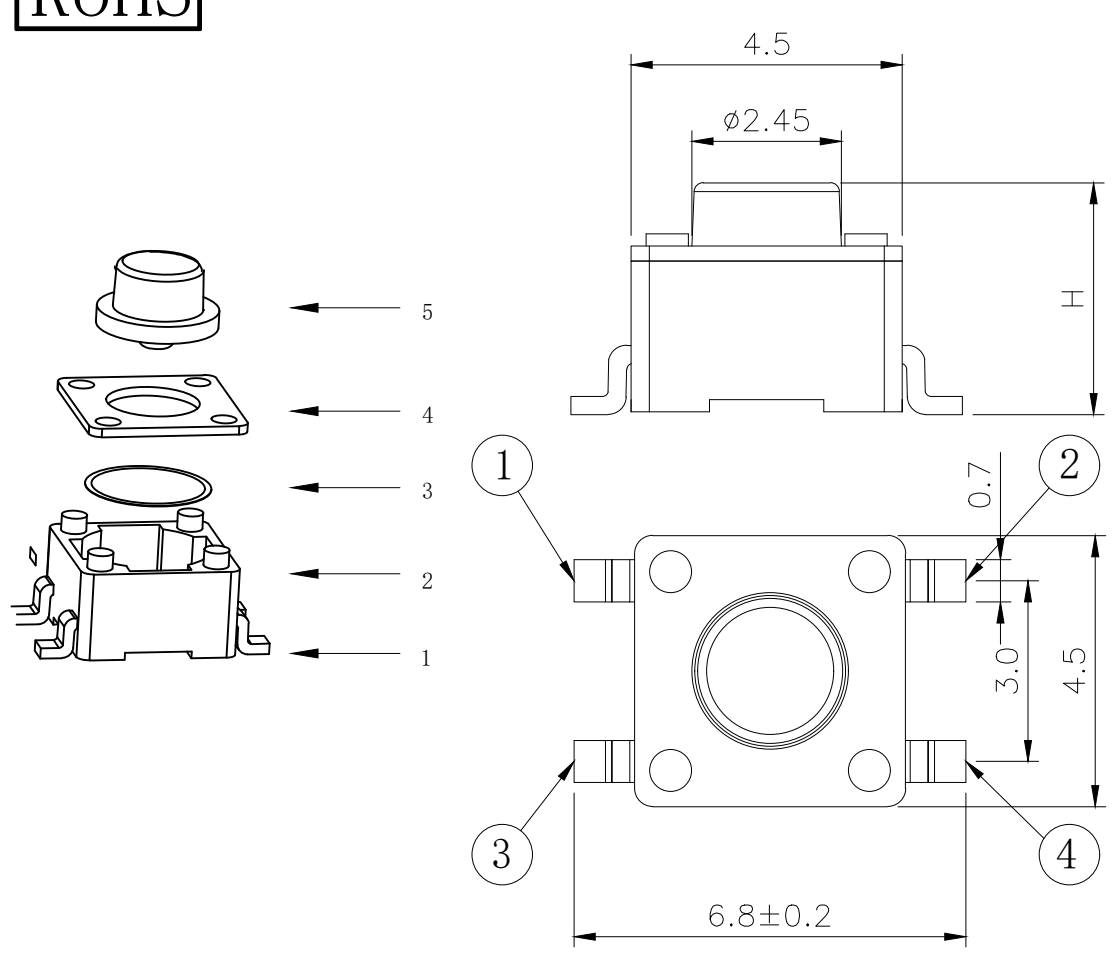


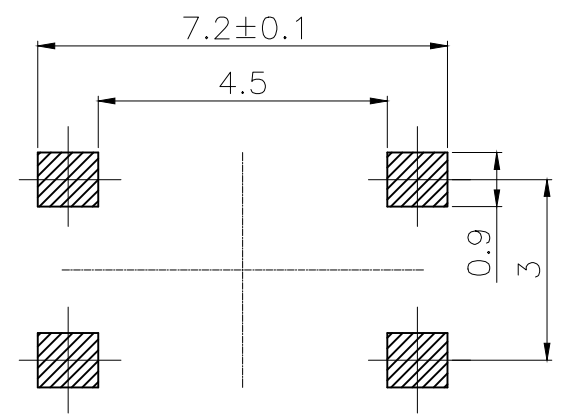
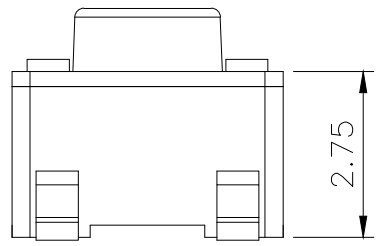
# RoHS

CAD GENERATED DRAWING. DON'T CHANGE BY HAND.

| REV. | ECN. NO. | APPD. |
|------|----------|-------|
|      |          |       |



CIRCUIT DIAGRAM



PCB. WELDING DRAWING

Specification

|                       |                     |
|-----------------------|---------------------|
| Operating Life        | 100,000             |
| Contact rating        | 50mA@12V DC.        |
| Insulation resistance | 1011Ω min.          |
| Contact resistance    | 100mΩ max. initial. |
| Dielectric Strength   | 250 V AC(1mm)       |
| Travel                | 0.2±0.15mm          |
| Storage Temperature   | -30° C to 85° C     |

Mechanical

| Type     | Operating Force (gf) | Height (mm) | Button | Leads Shape (G, J, T) | Ground pin (0, 1) | Pegs Option (0, 1) |
|----------|----------------------|-------------|--------|-----------------------|-------------------|--------------------|
| YTS1H015 | 250±50               | T           | 4.0    | B (BLACK)             | G                 | 0 (None)           |
|          |                      | P           | 9.5    |                       |                   |                    |
|          |                      | N           | 9.0    |                       |                   |                    |
|          |                      | M           | 8.0    |                       |                   |                    |
|          |                      | L           | 7.5    |                       |                   |                    |
|          |                      | K           | 7.0    |                       |                   |                    |
|          |                      | J           | 6.5    |                       |                   |                    |
|          |                      | H           | 6.0    |                       |                   |                    |
|          |                      | G           | 5.5    |                       |                   |                    |
|          |                      | F           | 5.0    |                       |                   |                    |
| 1        | 160±50               | E           | 4.8    | B (BLACK)             | G                 | 0 (None)           |
|          |                      | D           | 4.5    |                       |                   |                    |
|          |                      | C           | 4.3    |                       |                   |                    |
|          |                      | B           | 3.8    |                       |                   |                    |
|          |                      | A           | 3.5    |                       |                   |                    |

| ITEM | DESCRIPTION | MATERIAL        | QTY | FINISH/COLOR |
|------|-------------|-----------------|-----|--------------|
| E    | Button      | PPA             | 1   | Black        |
| D    | COVER       | Brass           | 1   | Cleaning     |
| C    | DOME        | Stainless Steel | 1   | Plated Ag    |
| B    | HOUSING     | PPA             | 1   | Black        |
| A    | PIN         | PHOSPHOR BRONZE | 1   | Plated Ag    |

|  |            |             |
|--|------------|-------------|
| X. ±0.50   | X.° ±2°    | UNITS<br>mm |
| .X ±0.30   | .X° ±1°    |             |
| .XX ±0.10  | .XX° ±0.5° | MAT'L       |
| .XXX ±0.05   |            |             |
| THESE DRAWINGS AND SPECIFICATIONS ARE THE PROPERTY OF YIYUAN TECHNOLOGY CO.,LTD AND SHALL NOT BE REPRODUCED, COPIED OR USED IN ANY MANNER WITHOUT THE PRIOR WRITTEN CONSENT OF YIYUAN TECHNOLOGY CO.,LTD |            | FINISH      |
|  |            | Q'TY        |

Packaging:  
 Reel of 2,000 pieces for 3.5~4.5H.  
 Reel of 1,500 pieces for 4.8~5.5H.  
 Reel of 1,000 pieces for 6.0~9.5H.

**yiYUAN** 深圳市怡远科技有限公司  
 SHENZHEN YIYUAN TECHNOLOGY CO., LTD

PART NO. YTS1H015 TITLE: TACTILE SWITCH 4.5\*4.5 SMT

APPD: ROGER DWG NO.: YTS1H015

CHKD: ROC

DR: BILLY WANG 2020/08/21

|       |       |      |
|-------|-------|------|
| SCALE | SHEET | REV. |
| 1/1   | 1/1   | A1   |