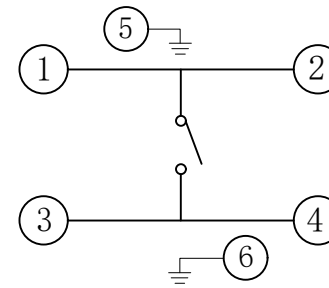
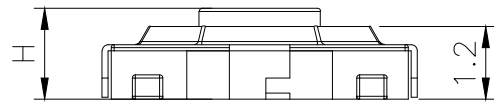
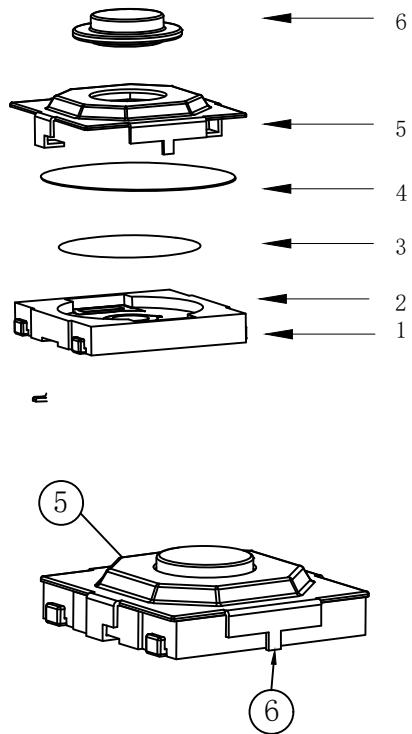


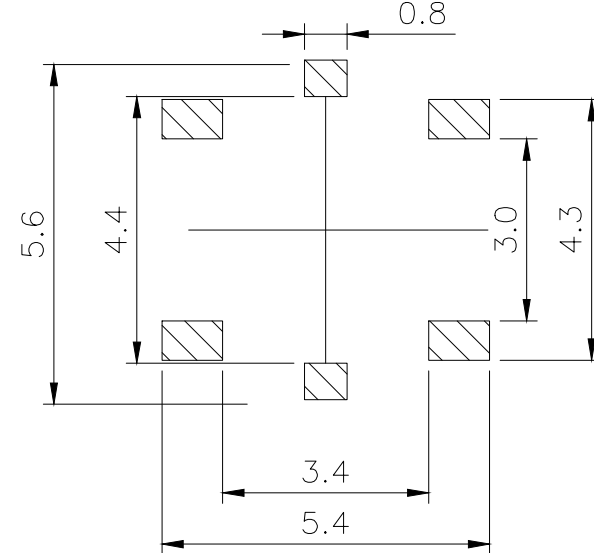
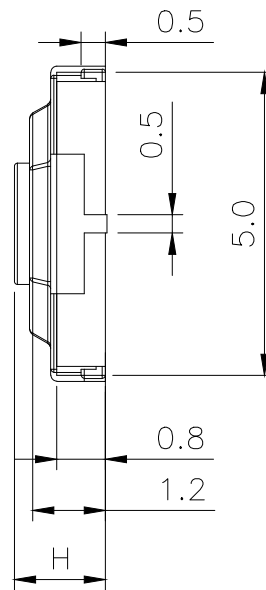
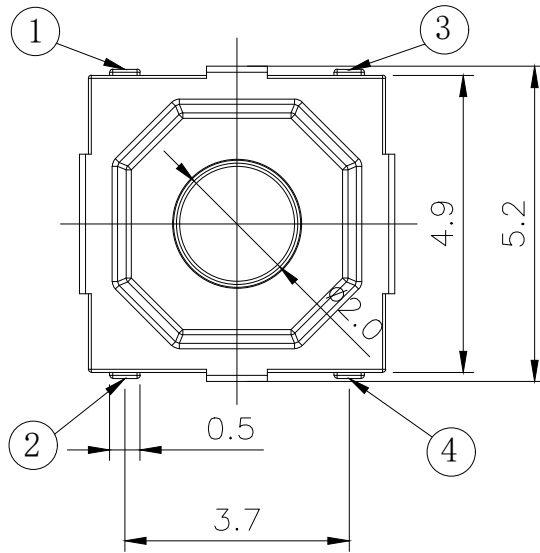
# RoHS

CAD GENERATED DRAWING. DON'T CHANGE BY HAND.

REV.	ECN. NO.	APPD.



CIRCUIT DIAGRAM



PCB. WELDING DRAWING

### Specification

Operating Life	100,000
Contact rating	50mA@12V DC.
Insulation resistance	1011Ω min.
Contact resistance	100mΩ max. initial.
Dielectric Strength	250 V AC(1mm)
Travel	0.2±0.15mm
Storage Temperature	-30° C to 85° C

### Mechanical

ITEM	DESCRIPTION	MATERIAL	QTY	FINISH/COLOR
E	Button	Brass	1	Pickling
D	COVER	Stainless Steel	1	Cleaning
C	DOME	Stainless Steel	1	Plated Ag
B	HOUSING	PPA	1	Black
A	PIN	PHOSPHOR BRONZE	1	Plated Ag

Type	Operating Force (gf)	Height (mm)	Button	Leads Shape (G, J, T)	Ground pin (0,1)	Pggs Option (0,1)	
YTS1H009	350±50	G	3.0	M (Brass)	J	1	0 (none)
		F	2.5	M (Brass)	J	1	0 (none)
		E	2.3	M (Brass)	J	1	0 (none)
2	250±50	D	2.0	M (Brass)	J	1	0 (none)
		C	1.7	M (Brass)	J	1	0 (none)
		B	1.6	M (Brass)	J	1	0 (none)
1	160±50	A	1.5	M (Brass)	J	1	0 (none)

THESE DRAWINGS AND SPECIFICATIONS ARE THE PROPERTY OF YIYUAN TECHNOLOGY CO.,LTD AND SHALL NOT BE REPRODUCED, COPIED OR USED IN ANY MANNER WITHOUT THE PRIOR WRITTEN CONSENT OF YIYUAN TECHNOLOGY CO.,LTD

X. ±0.50	X.° ±2°	UNITS
.X ±0.30	.X° ±1°	mm
.XX ±0.10	.XX° ±0.5°	MAT'L
.XXX ±0.05		FINISH
		Q'TY

深圳市怡远科技有限公司  
SHENZHEN YIYUAN TECHNOLOGY CO., LTD

Packaging:  
Reel of 4,000 pieces.

PART NO. <b>YTS1H009</b>	TITLE: <b>TACTILE SWITCH</b>						
APPD: ROGER	DWG NO.: <b>YTS1H009</b>						
CHKD: ROC							
DR: BILLY WANG 2020/08/21	<table border="1" style="font-size: small;"> <tr> <td>SCALE</td> <td>SHEET</td> <td>REV.</td> </tr> <tr> <td>1/1</td> <td>1/1</td> <td>A1</td> </tr> </table>	SCALE	SHEET	REV.	1/1	1/1	A1
SCALE	SHEET	REV.					
1/1	1/1	A1					